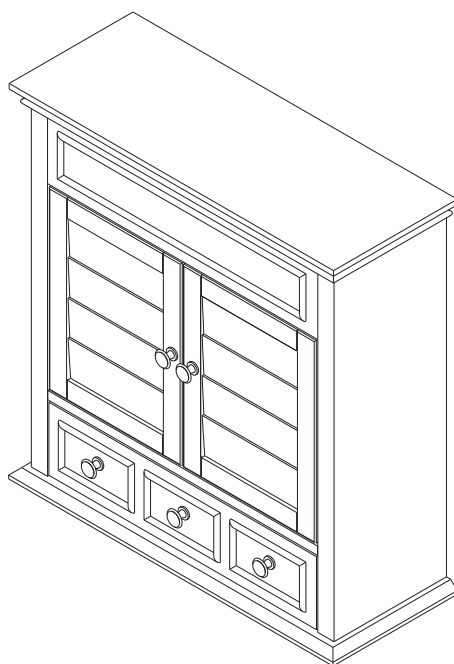
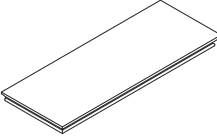
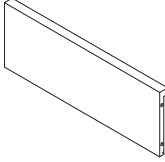
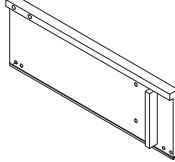
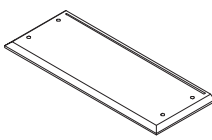
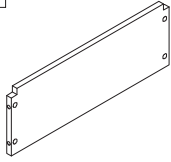
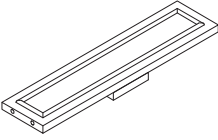
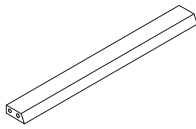
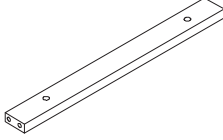
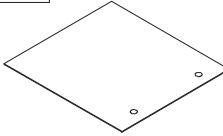
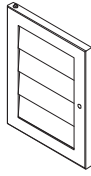
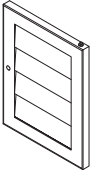
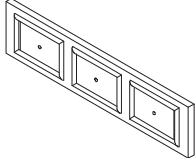
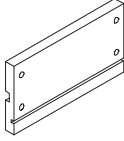
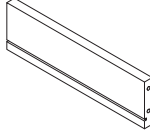
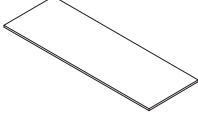
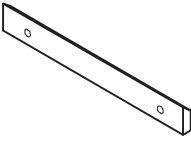



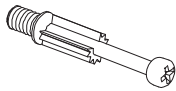
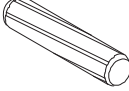




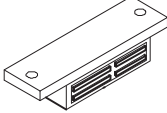

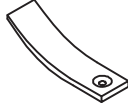

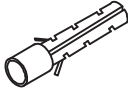
Bathroom Wall Cabinet



PART LIST

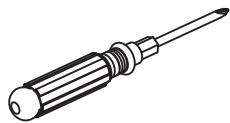
<p>A</p> 	<p>B</p> 	<p>C</p> 	<p>D</p> 	<p>E</p> 
<p>Top Panel 1 PC</p>	<p>Left Panel 1 PC</p>	<p>Right Panel 1 PC</p>	<p>Bottom Panel 1 PC</p>	<p>Fixed Shelf 1 PC</p>
<p>F</p> 	<p>G</p> 	<p>H</p> 	<p>I2</p> 	<p>J</p> 
<p>Front Top Rail 1 PC</p>	<p>Back Top Rail 1 PC</p>	<p>Back Bottom Rail 1 PC</p>	<p>Back Panel 1 PC</p>	<p>Left Door 1 PC</p>
<p>K</p> 	<p>L</p> 	<p>M2</p> 	<p>N2</p> 	<p>O2</p> 
<p>Right Door 1 PC</p>	<p>Drawer Front Panel 1 PC</p>	<p>Drawer Side Panel 2 PCS</p>	<p>Drawer Back Panel 1 PC</p>	<p>Drawer Bottom Panel 1 PC</p>
<p>P</p>  <p>Support Plate 1 PC</p>				

HARDWARE LIST

<p>#1</p>  <p>Ø15*12mm</p>	<p>#2</p>  <p>Ø6*42mm</p>	<p>#3</p>  <p>Ø8*30mm</p>	<p>#4</p>  <p>Ø29*27mm</p>	<p>#5</p>  <p>Ø5/32**19mm</p>
<p>Cam Lock 20 PCS (Extra 1)</p>	<p>Cam Bolt 20 PCS (Extra 1)</p>	<p>Wood Dowel 6 PCS (Extra 1)</p>	<p>Knob 5 PCS</p>	<p>Round Head Bolt 5 PCS (Extra 1)</p>
<p>#6</p>  <p>Ø4*57mm</p>	<p>#7</p>  <p>Ø3.5*25mm</p>	<p>#8</p>  <p>L70*H12mm</p>	<p>#9</p>  <p>Ø3*15mm</p>	<p>#10</p>  <p>Ø29*27mm</p>
<p>Long Screw 4 PCS (Extra 1)</p>	<p>Short Screw 8 PCS (Extra 1)</p>	<p>Magnet 1 PC</p>	<p>Screw 2 PCS (Extra 1)</p>	<p>Drawer Stopper 1 PC</p>
<p>#11</p>  <p>Ø3*12mm</p>	<p>#12</p>  <p>Ø8*38mm</p>			
<p>Screw 1 PC</p>	<p>Wall Anchor 4 PCS</p>			

ADDITIONAL TOOLS (Not Provided)

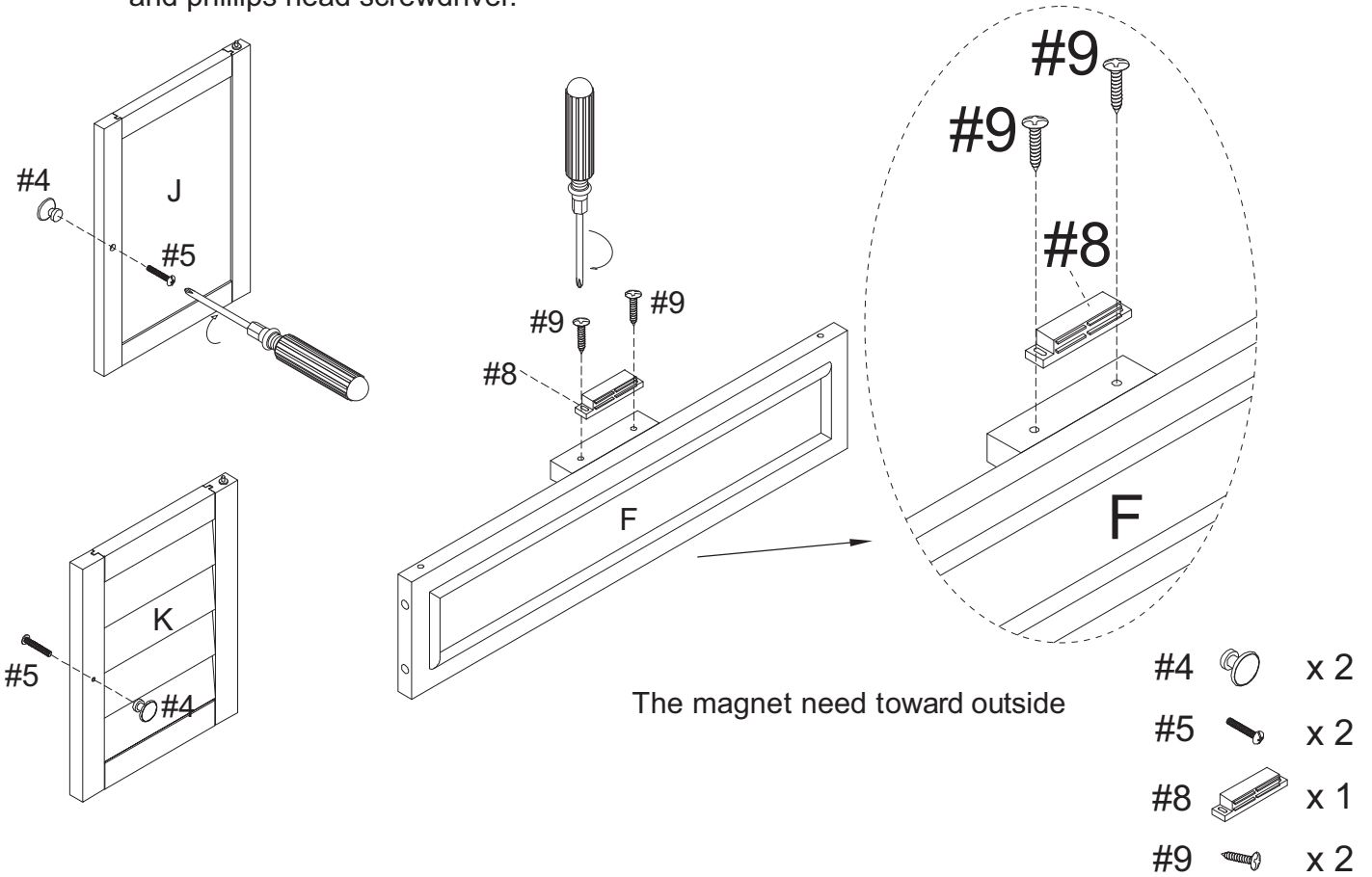
Note: It is not recommended to use power tools during assembly.



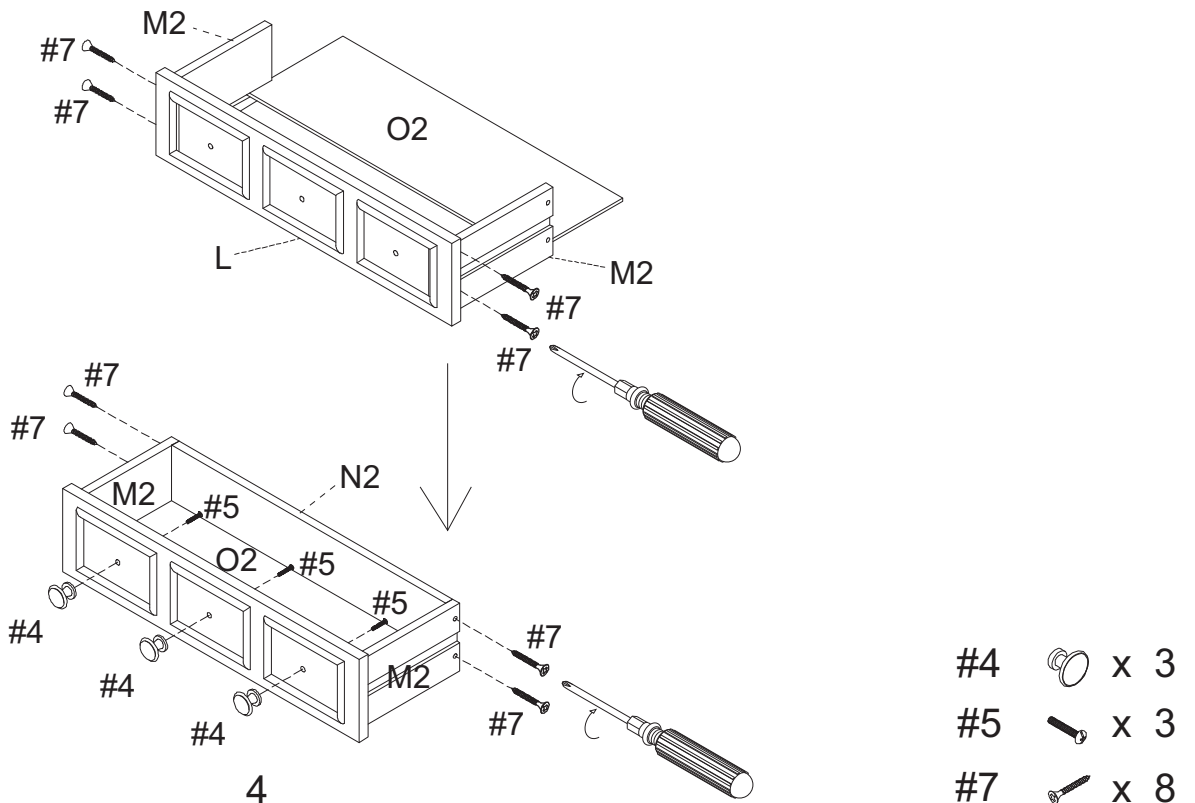
Phillips Head Screwdriver

Note: Wood dowels are intended for alignment. Additional clearance between wood dowel and pre-drilled hole is intentional for ease of assembly.

Step 1. Attach knobs (part #4) to doors (parts J & K) using round head bolts (part #5) and phillips head screwdriver. Attach magnet (part #8) to front top rail (part F) using screws (part #9) and phillips head screwdriver.

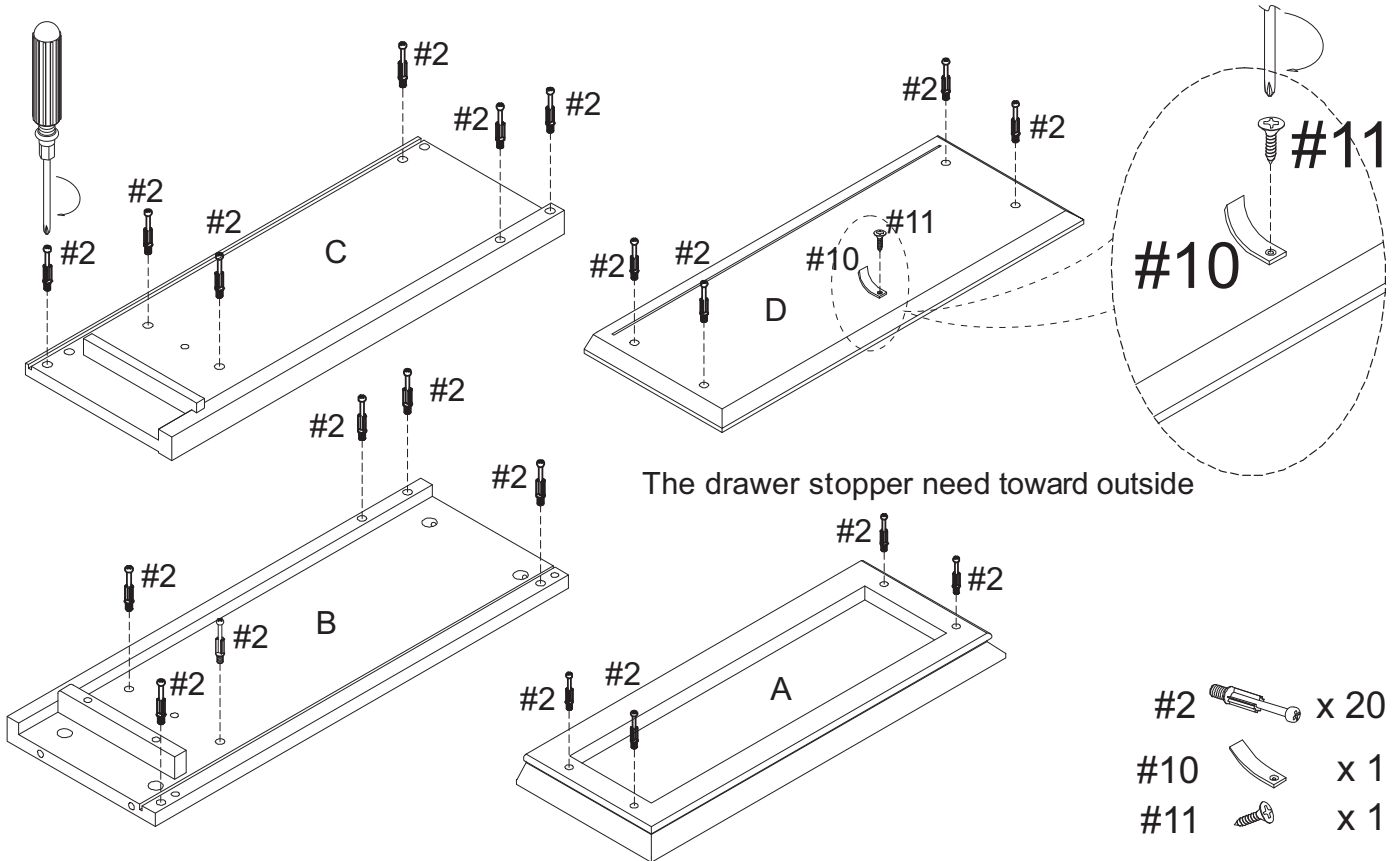


Step 2. Attach drawer side panels (part M2) to drawer front panel (part L) using short screws (part #7) and phillips head screwdriver. Insert drawer bottom panel (part O2) to assebled unit (parts L & M2). Attach drawer back panel (part N2) to assebled unit (parts M2 & O2) using short screws (part #7) and phillips head screwdriver. Attach knobs (part #4) to drawer front panel (part L) using round head bolts (part #5) and phillips head screwdriver.



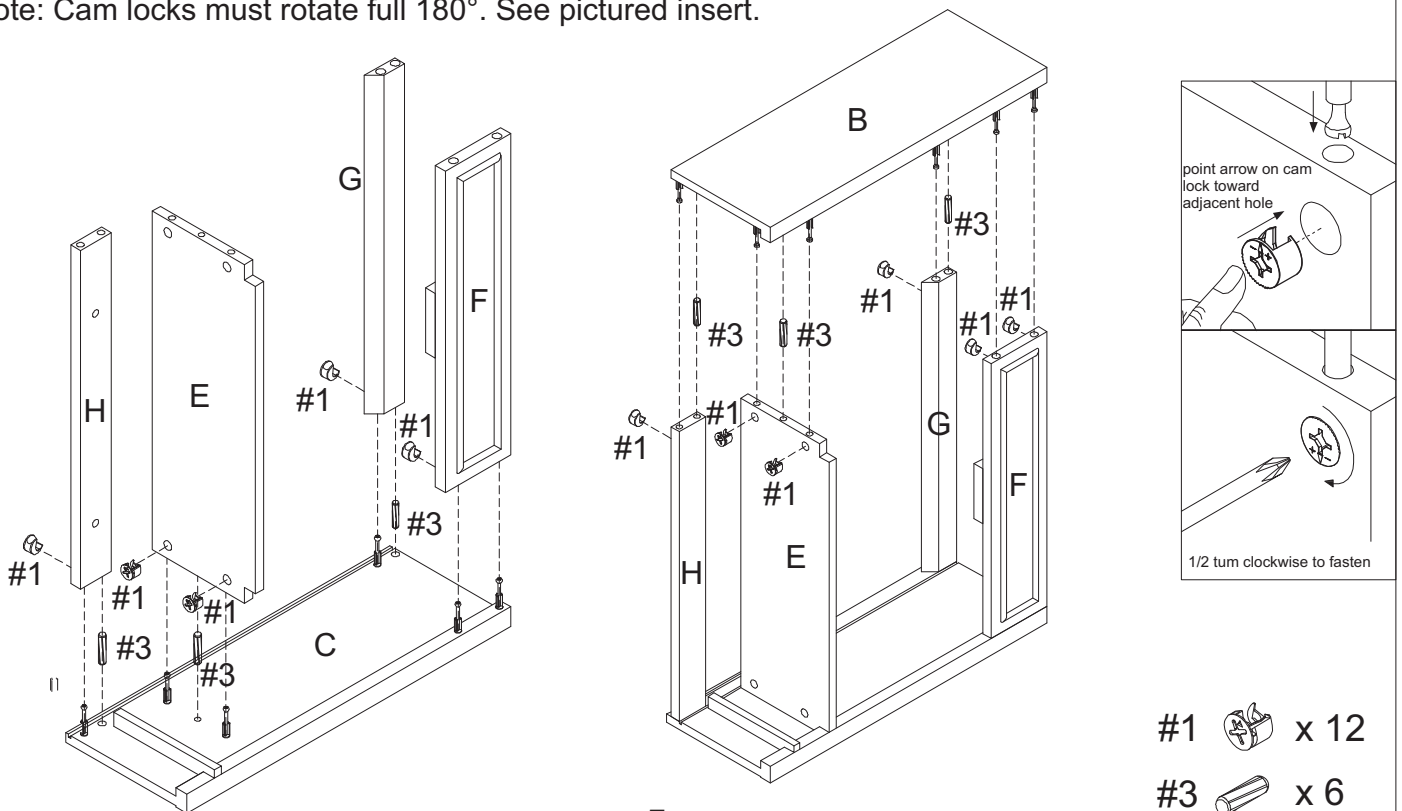
Step 3. Attach cam bolts (part #2) to panels (parts A, B, C & D) using phillips head screwdriver as shown. Attach drawer stopper (part #10) to bottom panel (part D) using screw (part #11) using phillips head screwdriver.

Note: Do not overtighten cam bolts. Stop tightening once threads on cam bolt are no longer visible.



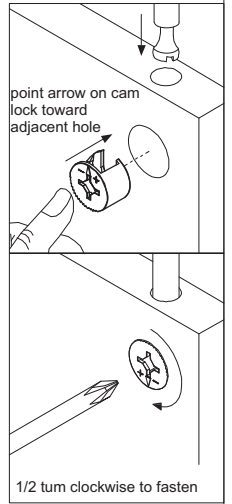
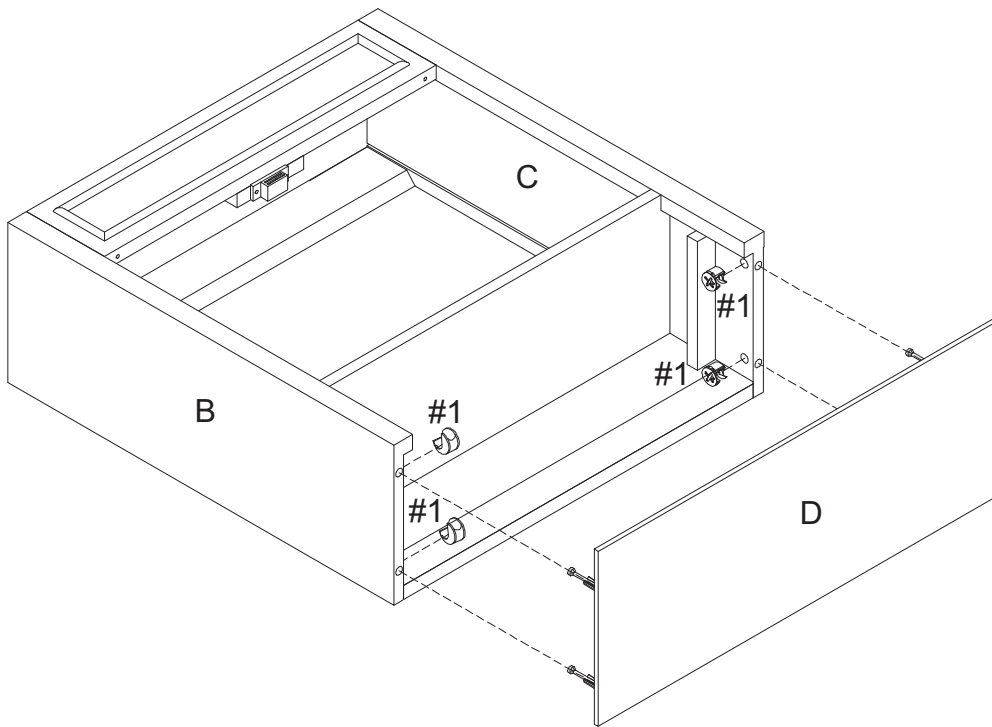
Step 4. Attach fixed shelf (part E) and rails (parts F, G & H) to right panel (part C) using cam locks (part #1), wood dowels (part #3) and phillips head screwdriver. Attach left panel (part B) to assembled unit (parts E, F, G & H) using cam locks (part #1), wood dowels (part #3) and phillips head screwdriver.

Note: Cam locks must rotate full 180°. See pictured insert.



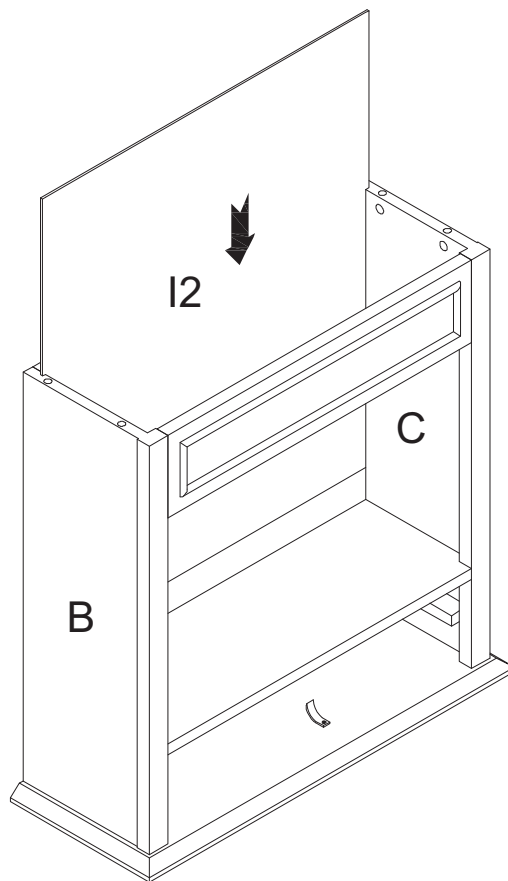
Step 5. Attach bottom panel (part D) to assembled unit (parts B & C) using cam locks (part #1) and phillips head screwdriver.

Note: Cam locks must rotate full 180°. See pictured insert.



#1  x 4

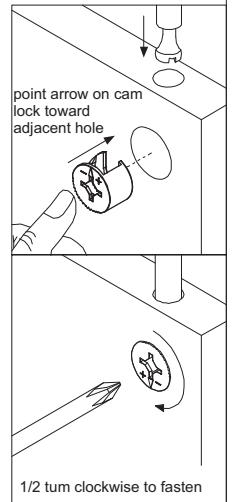
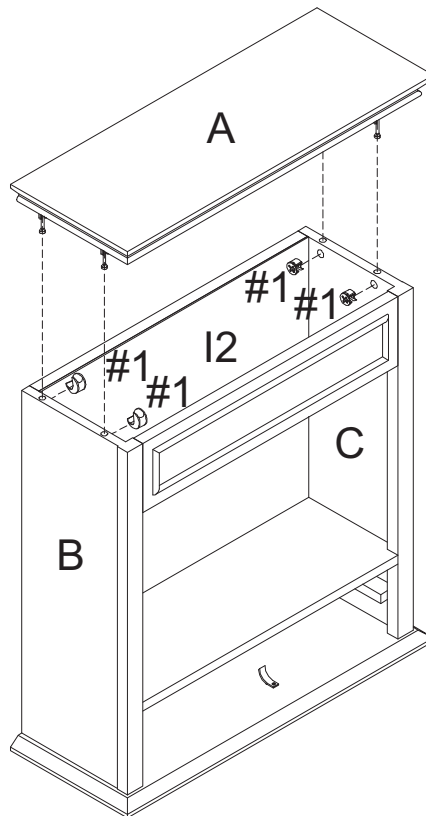
Step 6. Carefully turn the unit upright. Slide back panel (part I2) into cabinet as shown.



6

Step 7. Attach top panel (part A) to assembled unit (parts B, C & I2) using cam locks (part #1) and phillips head screwdriver.

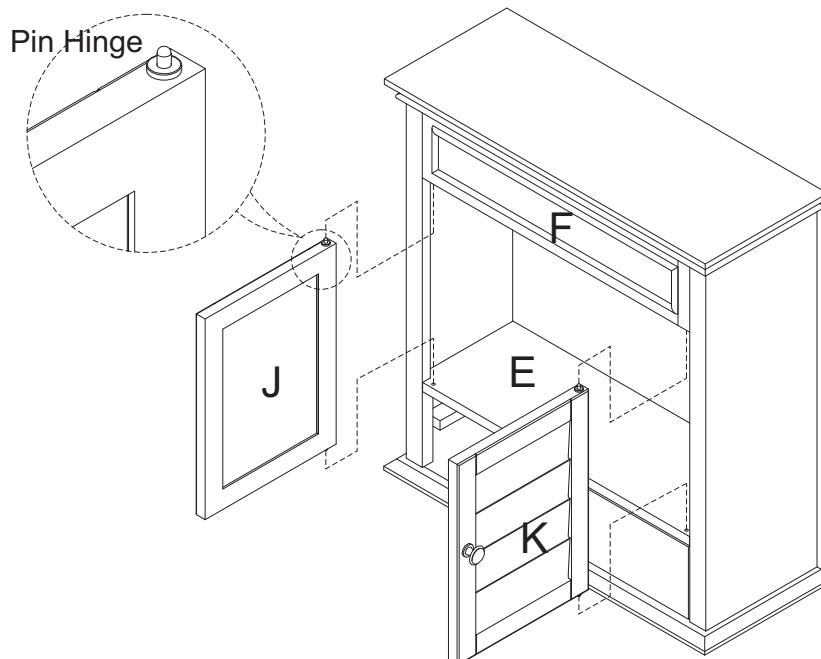
Note: Cam locks must rotate full 180°. See pictured insert.



#1  x 4

Step 8. Attach doors (parts J & K) by placing bottom pin hinge (pre-installed in door) in the pre-drilled hole of fixed shelf (part E). Then depress the top spring-loaded pin hinge so it can be placed in the pre-dilled hole of front top rail (part F).

Note: Be sure top and bottom pin hinges are fully extended to secure doors in place.



Step 9. Hold support plate (part P) in the desired location of the wall unit. This plate will be about 2-1/2" lower than the top of the wall unit. Making sure the support plate (part P) is level, use a pencil to mark the anchor locations using the support plate (part P) screw holes as a guide.

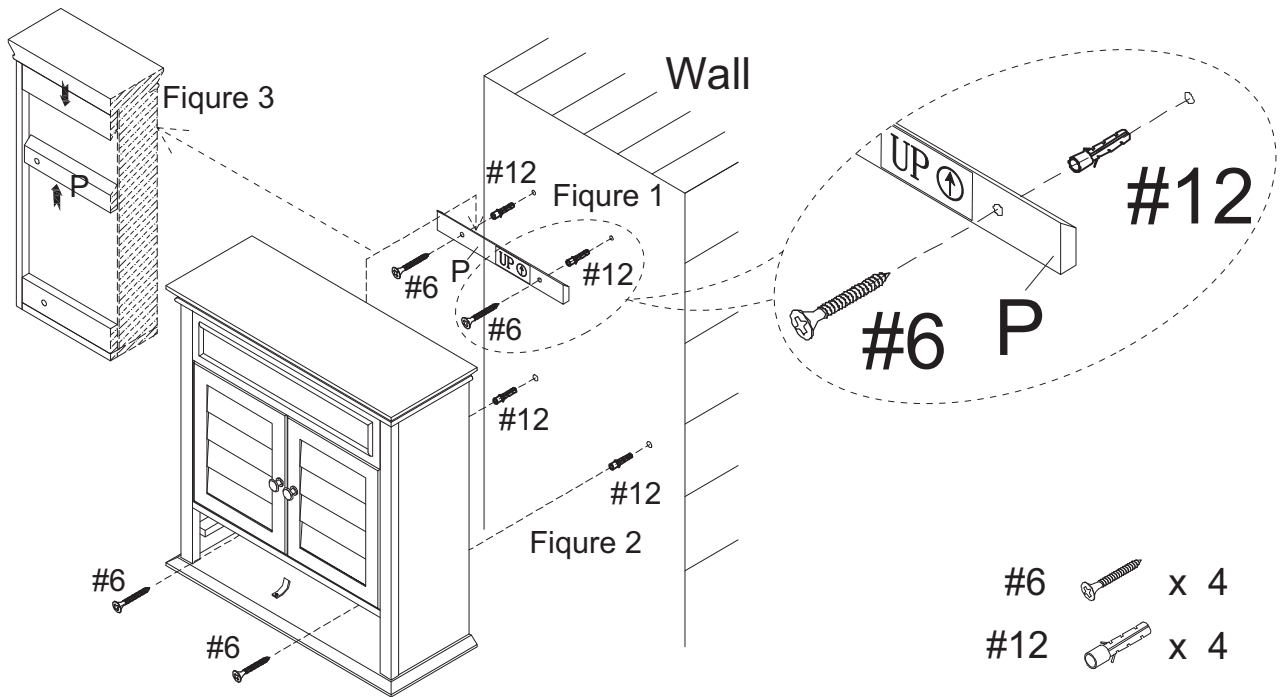
We recommend using a level to ensure support plate (part P) is oriented correctly. Drill two 11/32" holes in these marked spots and tap wall anchors (part #12) into the drilled holes. Secure support plate (part P) to wall anchors (part #12) using long screws (part #6) and philips head screwdriver. See Figure 1.

Mount frame onto support plate (part P). The back of the unit has a recessed area that will hook onto support plate (part P).

Use a pencil to mark the second set of anchor locations using the holes on mount frame as a guide.

Remove mount frame and drill two 11/32" holes in these marked spots and tap wall anchors (part #12) into the drilled holes. See Figure 2.

Remount mount frame and secure into wall anchors (part #12) using long screws (part #6) and phillips head screwdriver. See Figure 3.



Step 10. Slide assembled drawer into place.

