

## NOTICE

- \*Please make sure that you have all parts indicated and they are in good condition before you begin assembly of this item. Refer to part list and hardware list below for guidance.
- \*This item should be assembled on a soft surface to prevent scratching the finish during assembly.
- \*This item may require periodic tightening.
- \*If you are having difficulty, our friendly Customer Care team is always here to help.















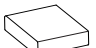


## PREPARATION

- \*Before beginning assembly of product, make sure all parts are present. Compare parts with part contents list and hardware contents list.
- \*If any part is missing or damaged, do not attempt to assemble the product.
- \*Tools Required for Assembly (included): Allen Key, Spanner
- \*Estimated Assembly Time: 10 minutes.

## CARE AND MAINTENANCE

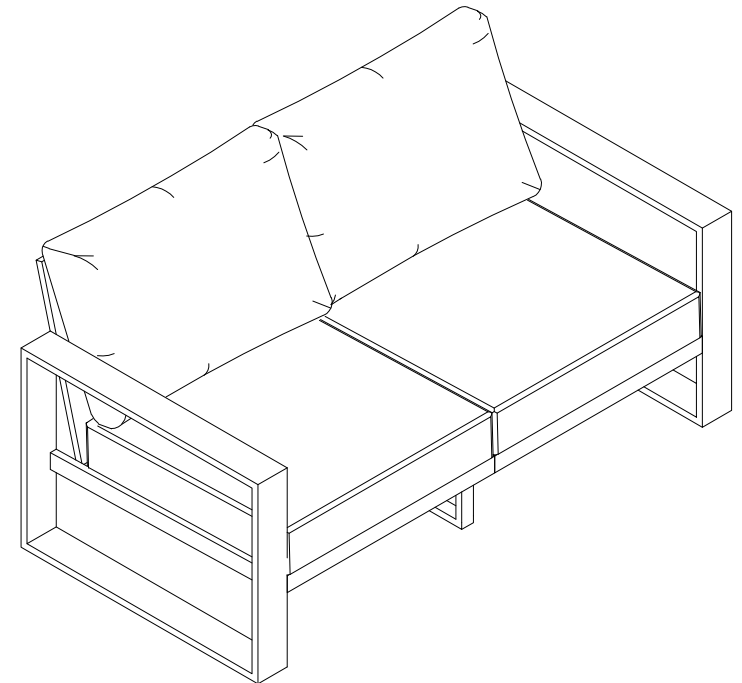
Store outdoor furniture indoors or cover well when not in use. Dust regularly with small brush or vacuum. Spills should be taken care of immediately before they harden or stain with a slightly damp sponge.

## Part List and Hardware List

PIECE	DESCRIPTION	PICTURE	QUANTITY	PIECE	DESCRIPTION	PICTURE	QUANTITY
A	Arm Right Frame		1x	HW1	Allen Bolt (M6x20)		6x
B	Arm Left Frame		1x	HW2	Allen Bolt (M6x35)		14x
C	Seat Right Frame		1x	HW3	Allen Bolt (M6x50)		5x
D	Seat Left Frame		1x	HW4	Allen Bolt (M6x70)		3x
E	Back Right Frame		1x	HW5	Nut (M6)		8x
F	Back Left Frame		1x	HW6	Flat Washer (M6)		36x
G	Leg Middle		1x	HW7	Spanner		1x
CSH1	Seat Cushions		2x	HW8	Allen Key (4x75)		1x
CSH2	Back Cushions		2x				

## Installation & Assembly

75.98"L x 33.86"W x 29.92"H



**Weight capacity : 550 Lbs (two person seat)**  
**Warning : Do not stand on chair**  
**Warning : Do not over torque bolts/screws**

# PREPARATION

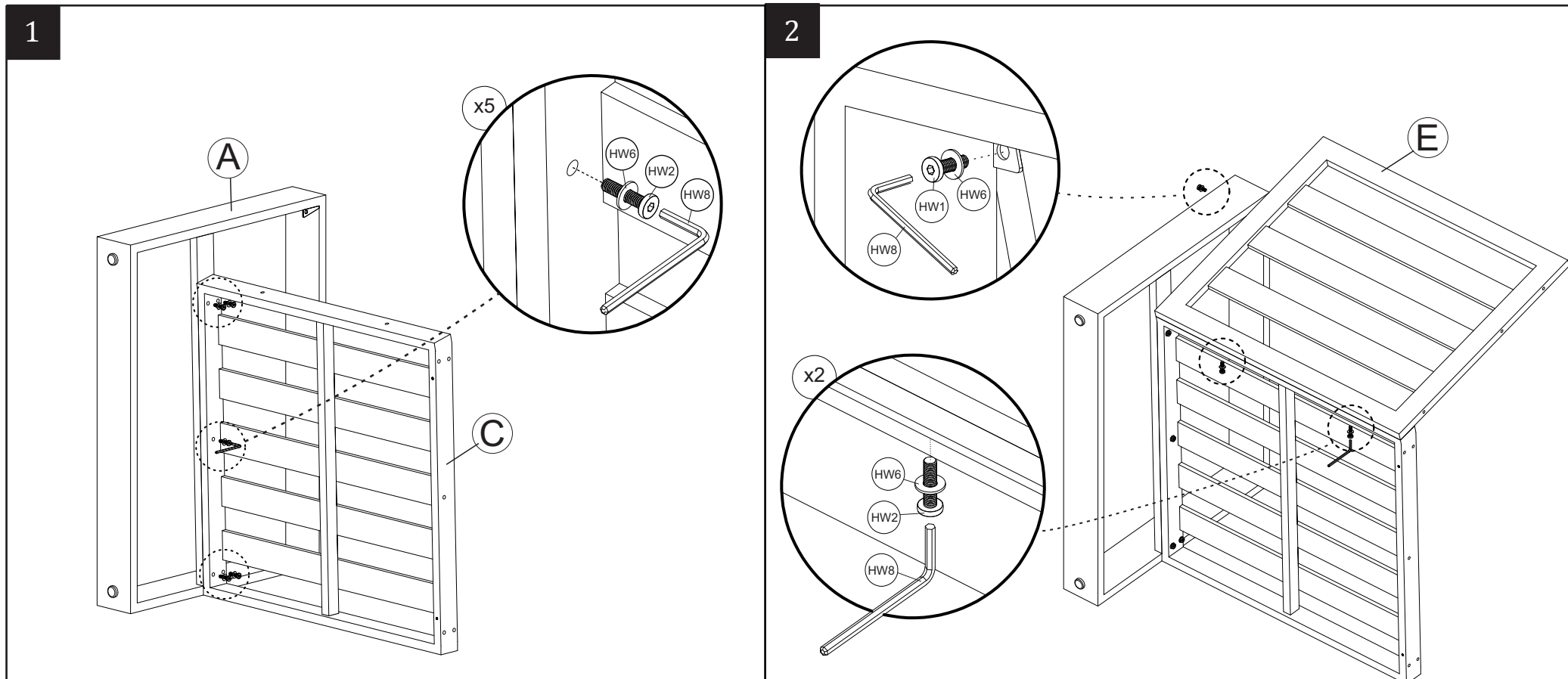
\*Before beginning assembly of product, make sure all parts are present. Compare parts with part contents list and hardware contents list.

\*If any part is missing or damaged, do not attempt to assemble the product.

\*Estimated Assembly Time : 10 minutes.

\*Tools Required for Assembly (included): Allen Key

\*If you are having difficulty, our friendly Customer care team is always here to help.



STEP 1: On a soft surface, align the screw holes on the Arm Right Frame (A) to the screw holes on the Seat Right Frame (C). Place the Flat Washer (HW6) on the Allen Bolt (HW2) in the order shown below. Use the Allen Key (HW8) to screw in the Bolts (HW2) with the washers attached.

STEP 2: Align the screw holes on the Back Right Frame (E) and on the Seat Right Frame (C) to the screw holes on the Arm Right Frame (A). Place the Flat Washer (HW6) on the Allen Bolts (HW1 & HW2) in the order shown below. Use the Allen Key (HW8) to screw in the Bolts (HW1 & HW2) with the washers attached.

# PREPARATION

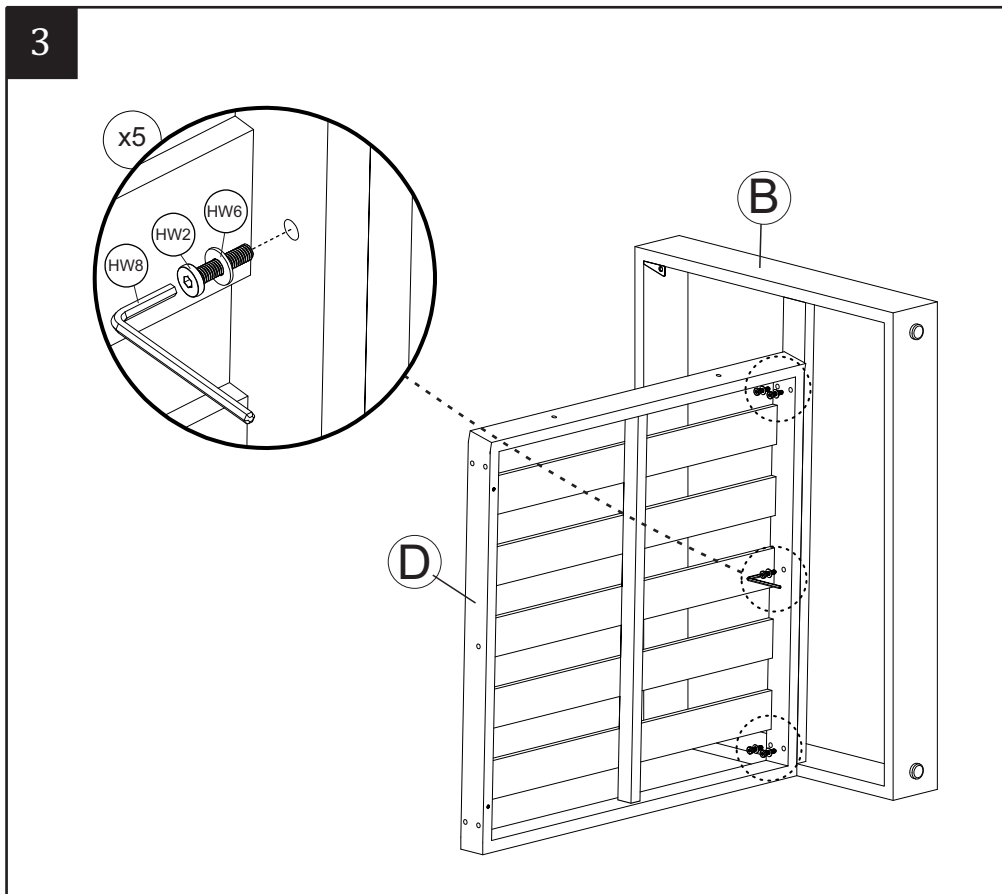
\*Before beginning assembly of product, make sure all parts are present. Compare parts with part contents list and hardware contents list.

\*If any part is missing or damaged, do not attempt to assemble the product.

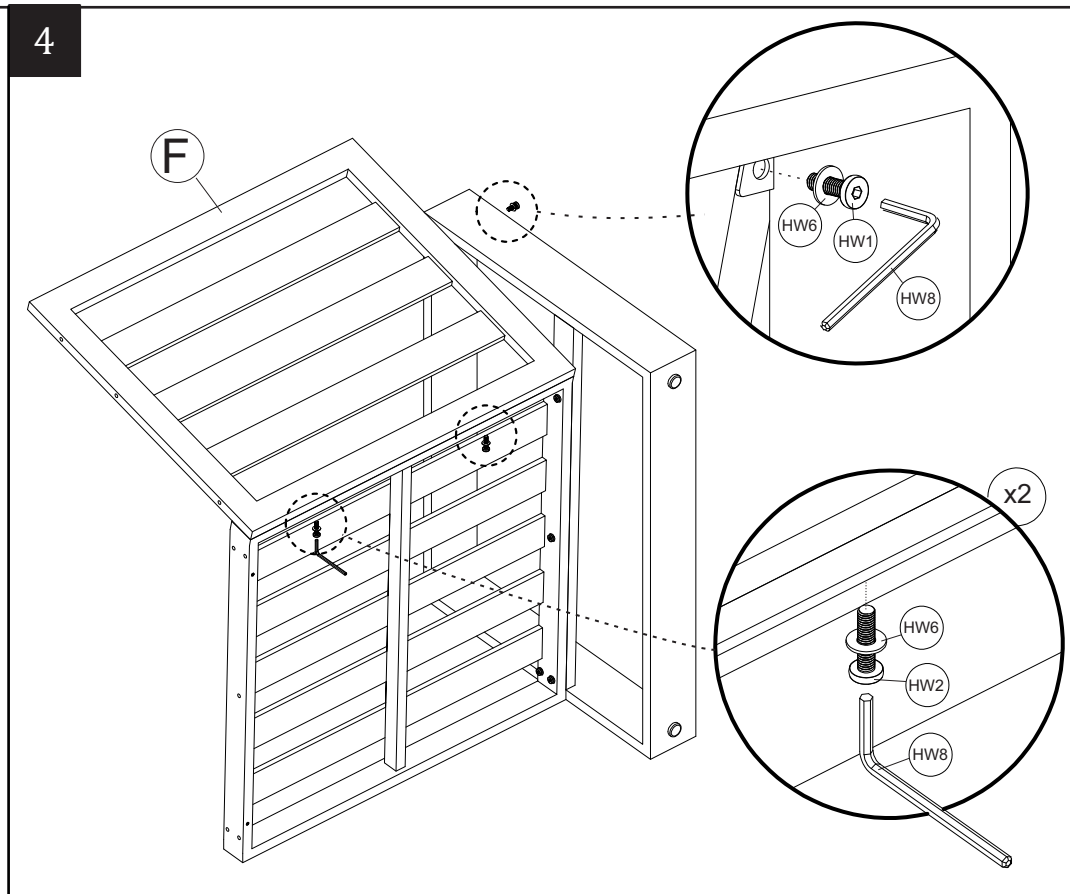
\*Estimated Assembly Time : 10 minutes.

\*Tools Required for Assembly (included): Allen Key

\*If you are having difficulty, our friendly Customer care team is always here to help.



STEP 3: On a soft surface, align the screw holes on the Arm Left Frame (B) to the screw holes on the Seat Left Frame (D). Place the Flat Washer (HW6) on the Allen Bolt (HW2) in the order shown below. Use the Allen Key (HW8) to screw in the Bolts (HW2) with the washers attached.



STEP 4: Align the screw holes on the Back Left Frame (F) and on the Seat Left Frame (D) to the screw holes on the Arm Left Frame (B). Place the Flat Washer (HW6) on the Allen Bolts (HW1 & HW2) in the order shown below. Use the Allen Key (HW8) to screw in the Bolts (HW1 & HW2) with the washers attached.

## PREPARATION

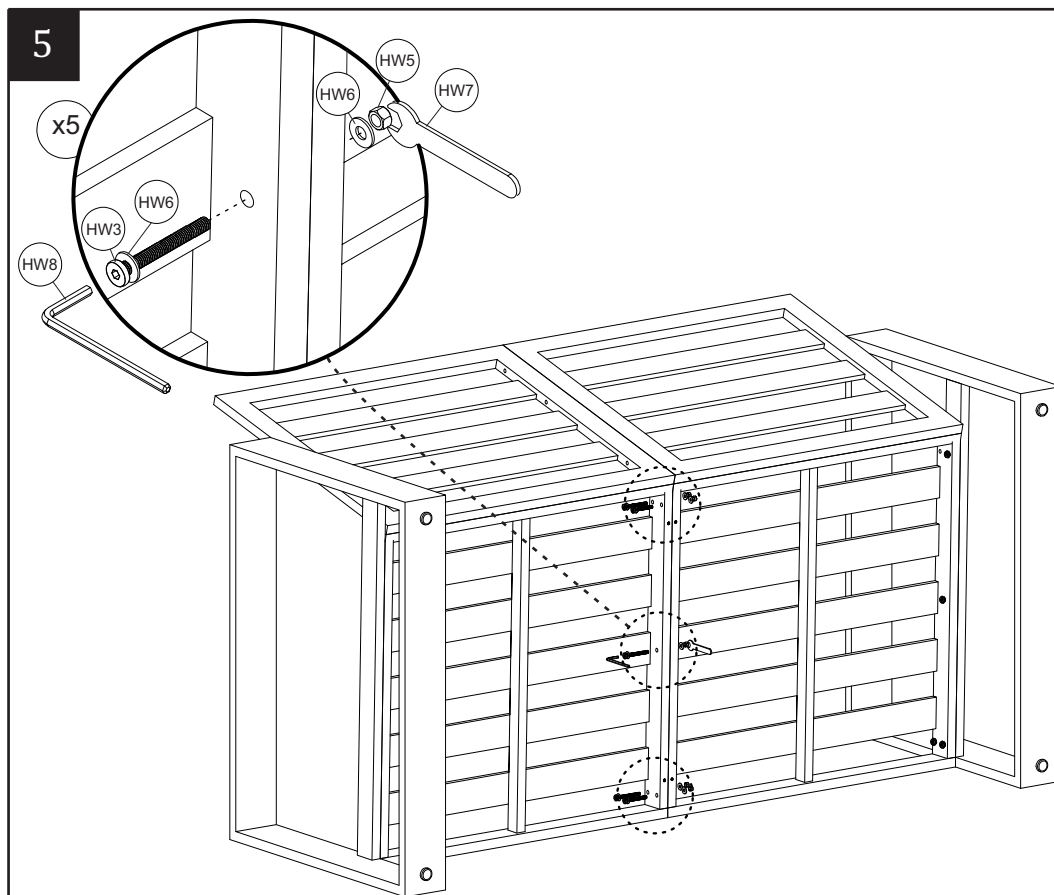
\*Before beginning assembly of product, make sure all parts are present. Compare parts with part contents list and hardware contents list.

\*If any part is missing or damaged, do not attempt to assemble the product.

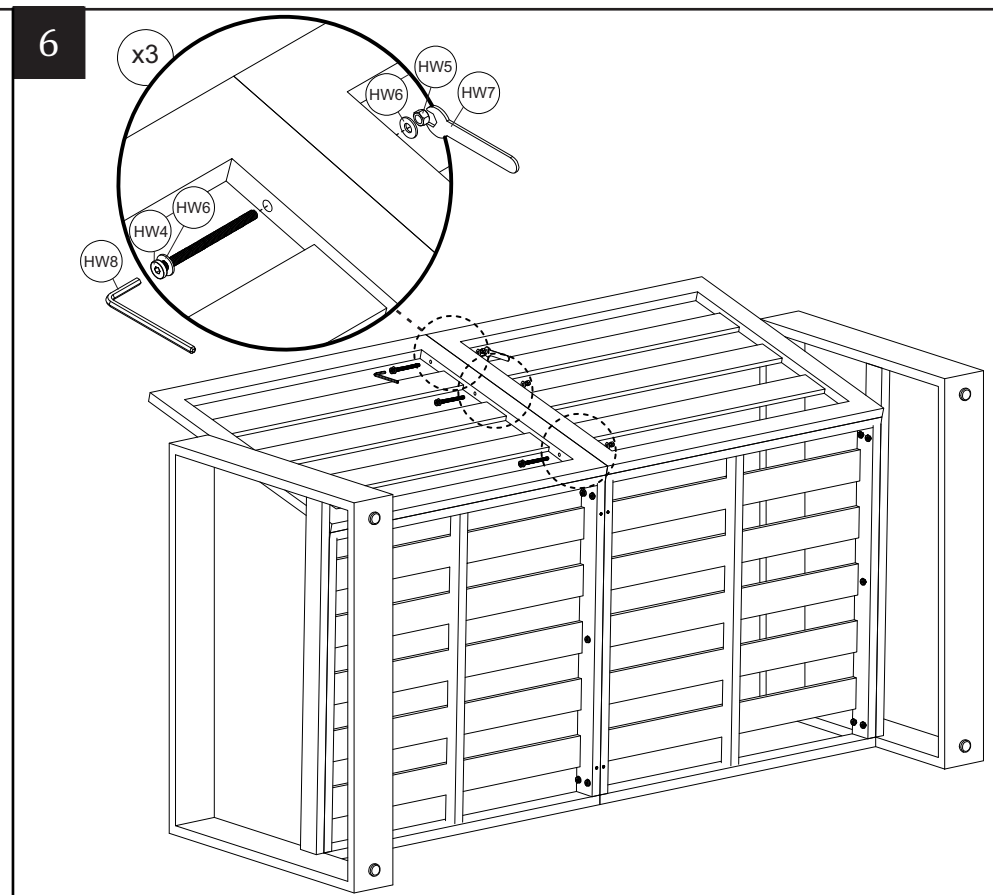
\*Estimated Assembly Time : 10 minutes.

\*Tools Required for Assembly (included): Allen Key

\*If you are having difficulty, our friendly Customer care team is always here to help.



STEP 5: Align the screw holes on the Seat Right Frame (C) to the screw holes on the Seat Left Frame (D). Place the Flat Washer (HW6) on the Allen Bolt (HW3) and Nut (HW5) in the order shown below. Use the Allen Key (HW8) and Spanner (HW7) to screw in the Bolts (HW3) and Nut (HW5) with the washers attached.



STEP 6: Align the screw holes on the Back Right Frame (E) to the screw holes on the Back Left Frame (F). Place the Flat Washer (HW6) on the Allen Bolt (HW4) and Nut (HW5) in the order shown below. Use the Allen Key (HW8) and Spanner (HW7) to screw in the Bolts (HW4) and Nut (HW5) with the washers attached.

## PREPARATION

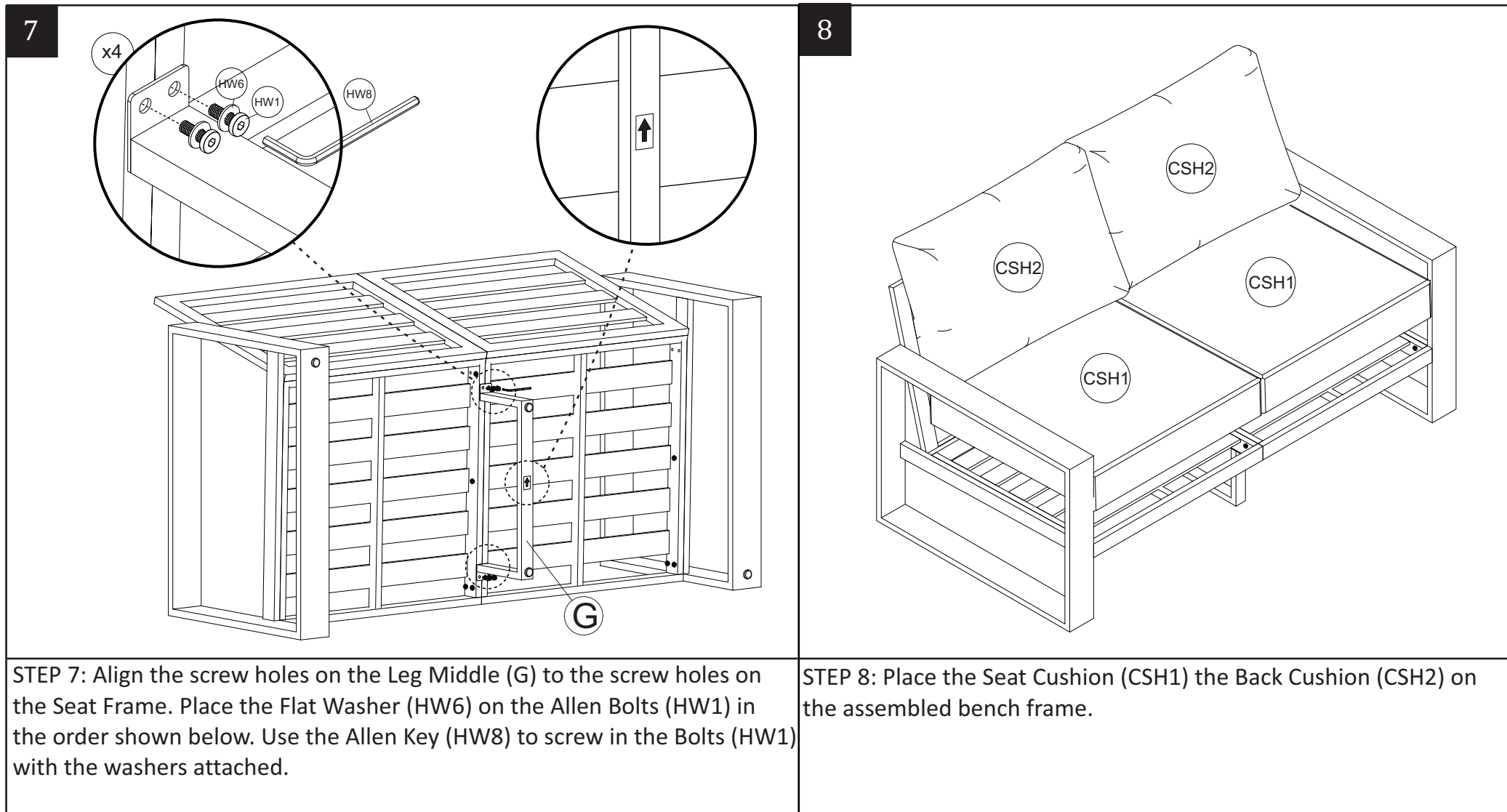
\*Before beginning assembly of product, make sure all parts are present. Compare parts with part contents list and hardware contents list.

\*If any part is missing or damaged, do not attempt to assemble the product.

\*Estimated Assembly Time : 10 minutes.

\*Tools Required for Assembly (included): Allen Key

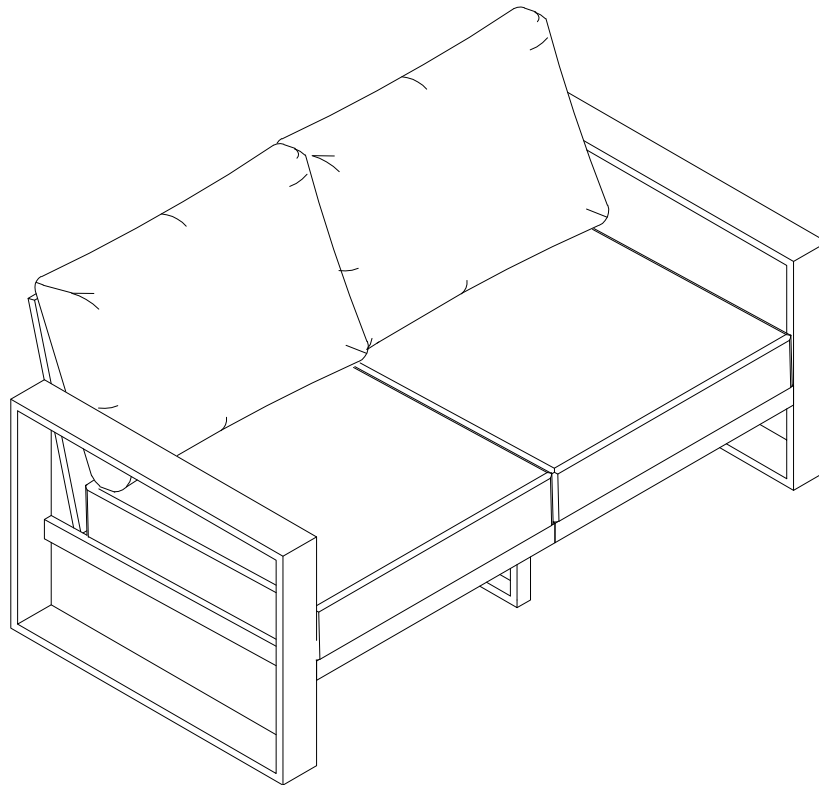
\*If you are having difficulty, our friendly Customer care team is always here to help.



## PREPARATION

- \*Before beginning assembly of product, make sure all parts are present. Compare parts with part contents list and hardware contents list.
- \*If any part is missing or damaged, do not attempt to assemble the product.
- \*Estimated Assembly Time : 10 minutes.
- \*Tools Required for Assembly (included): Allen Key
- \*If you are having difficulty, our friendly Customer care team is always here to help.

9



STEP 9: Finishing for using