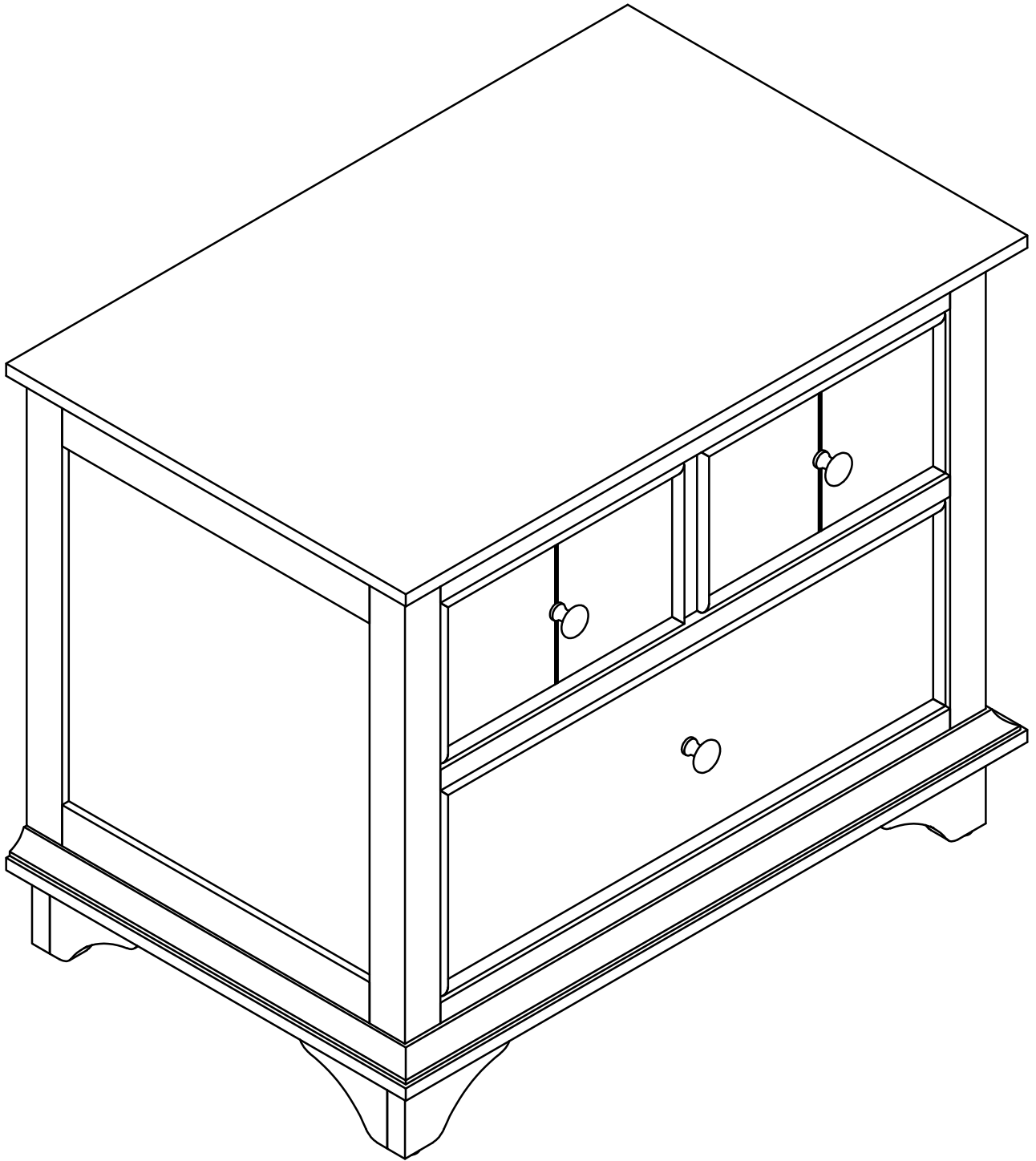
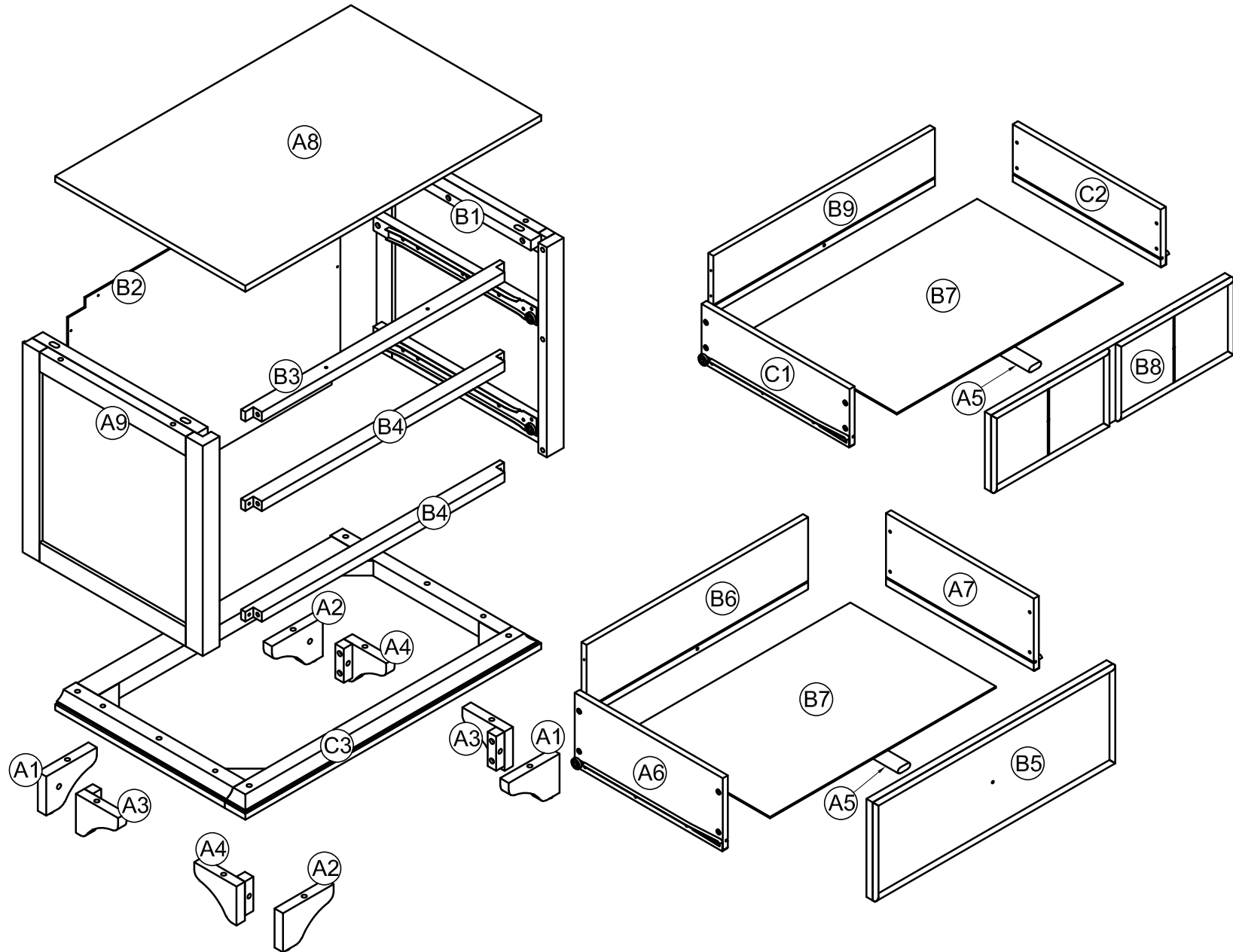


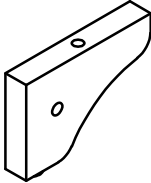
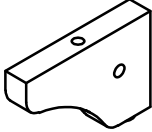
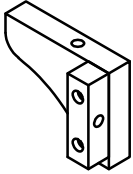
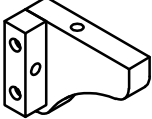
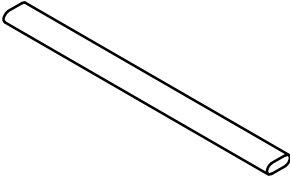
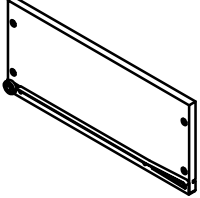
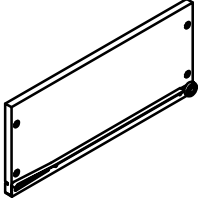
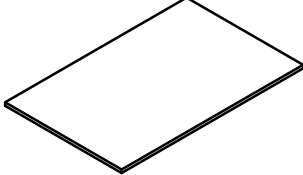
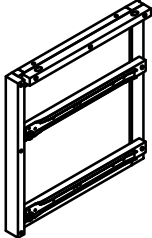
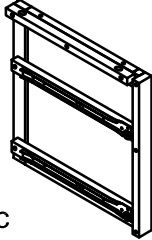
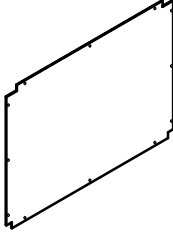
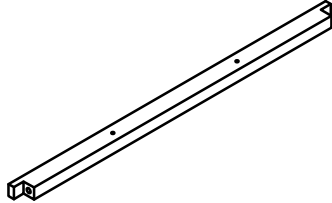
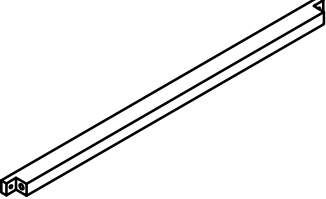
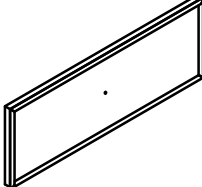
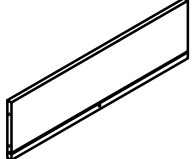
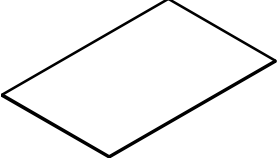
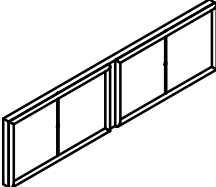
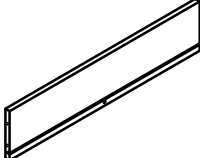
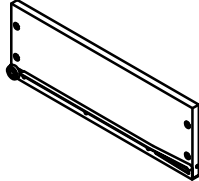
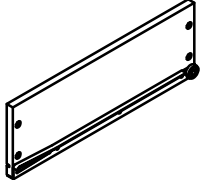
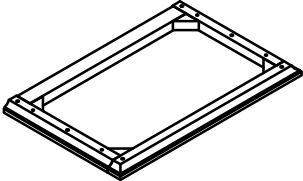
ASSEMBLY INSTRUCTION



ASSEMBLY INSTRUCTION



Part List & Hardware List

<p>A1</p>  <p>Leg- 2pcs</p>	<p>A2</p>  <p>Leg- 2pcs</p>	<p>A3</p>  <p>Leg- 2pcs</p>
<p>A4</p>  <p>Leg- 2pcs</p>	<p>A5</p>  <p>WoodBar-2pcs</p>	<p>A6</p>  <p>Drawer Left-1pc</p>
<p>A7</p>  <p>Drawer Right-1pc</p>	<p>A8</p>  <p>Top Panel-1pc</p>	<p>A9</p>  <p>Left frame- 1pc</p>
<p>B1</p>  <p>Right frame- 1pc</p>	<p>B2</p>  <p>Back panel-1pc</p>	<p>B3</p>  <p>WoodBar-1pc</p>
<p>B4</p>  <p>WoodBar-2pcs</p>	<p>B5</p>  <p>Drawer front -1pc</p>	<p>B6</p>  <p>Drawer Rear-1pc</p>
<p>B7</p>  <p>Drawer Bottom Panels-2pcs</p>	<p>B8</p>  <p>Drawer front -1pc</p>	<p>B9</p>  <p>Drawer Rear-1pc</p>
<p>C1</p>  <p>Drawer Left-1pc</p>	<p>C2</p>  <p>Drawer Right-1pc</p>	<p>C3</p>  <p>Bottom frame- 1pc</p>

Hardware List

1



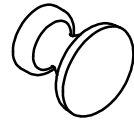
Ø1/4" x 35 mm
Hex-Head bolts 8pcs

2



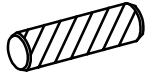
M4 x 25 mm
Wood Screws 3pcs

3



Handle Wood 3pcs

4



Ø8 x 30 mm
Wood dowel 14pcs

5



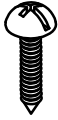
Ø14 / Ø6 x 1 mm
Washer 4pcs

6



Allen Key 1pc

7



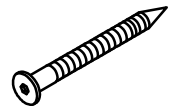
M4 x 15 mm
Wood Screws 12pcs

8



Screws 1/4" x50
6pcs

9



Đầu 13mm
Screws 1/4" x60
8pcs

10

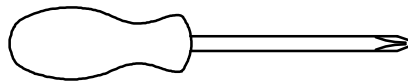


M4 x 20 mm
Wood Screws 4pcs

11

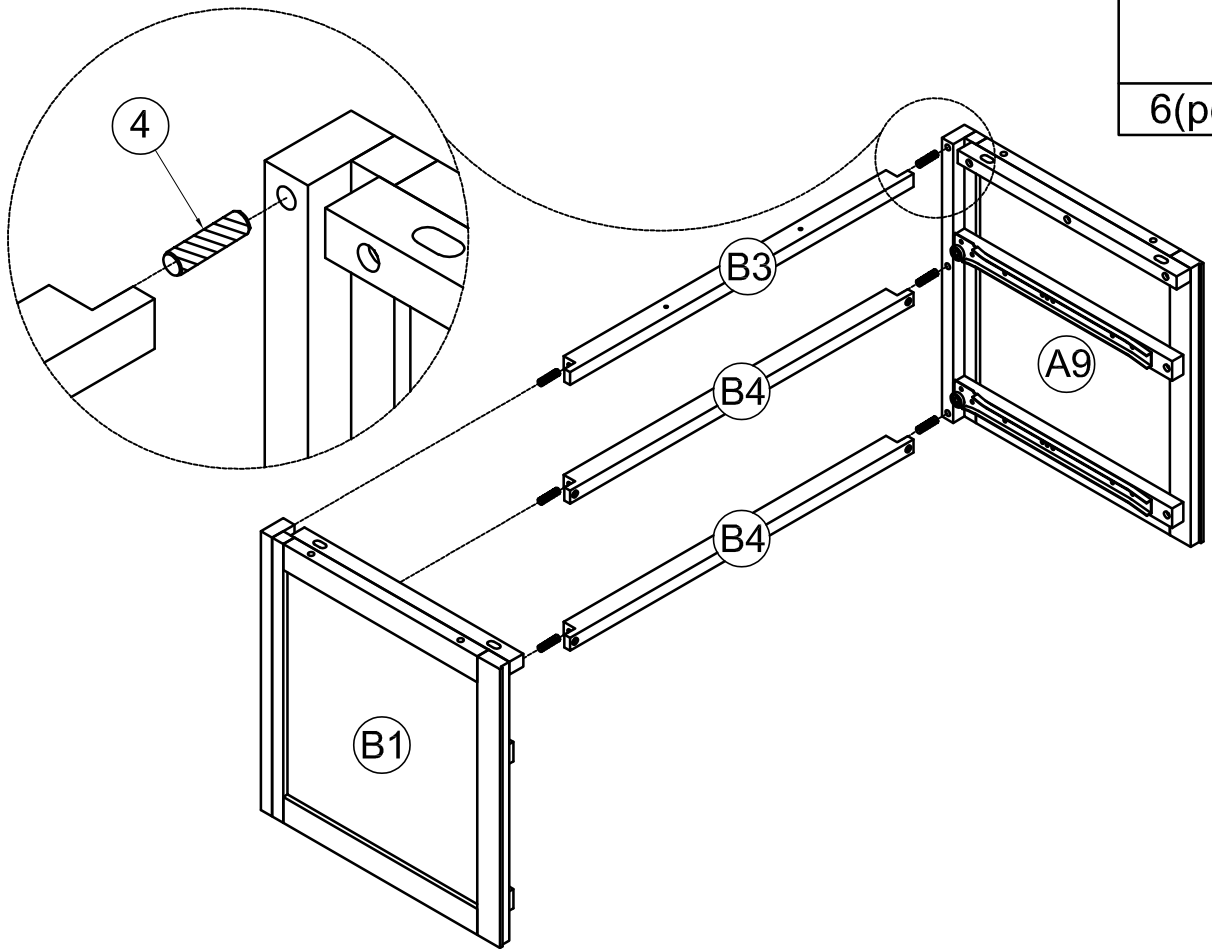
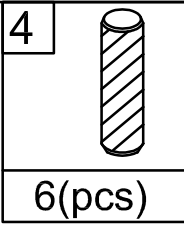


M4 x 30 mm
Wood Screws 20pcs

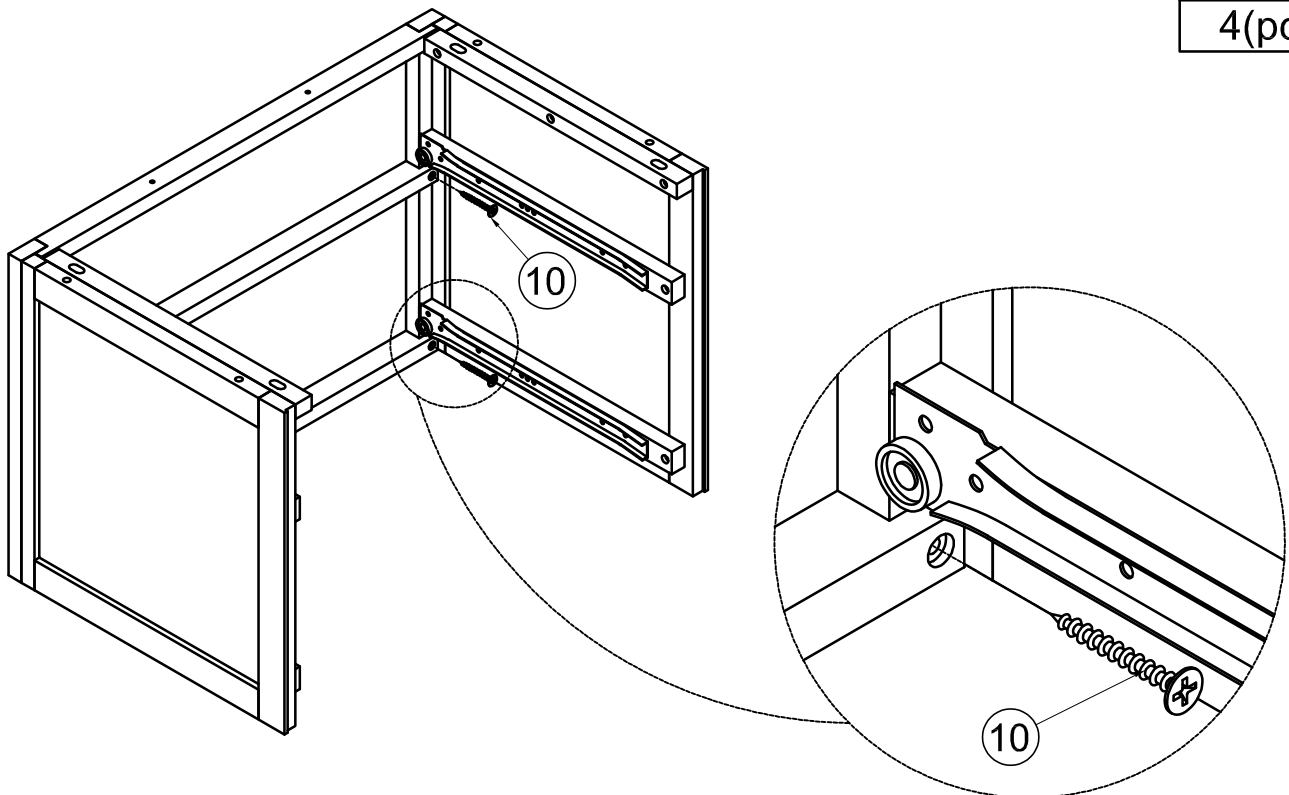
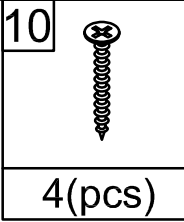


Assembly Tools Required (Not Included)

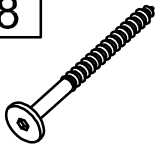

STEP1: Following below illustration.

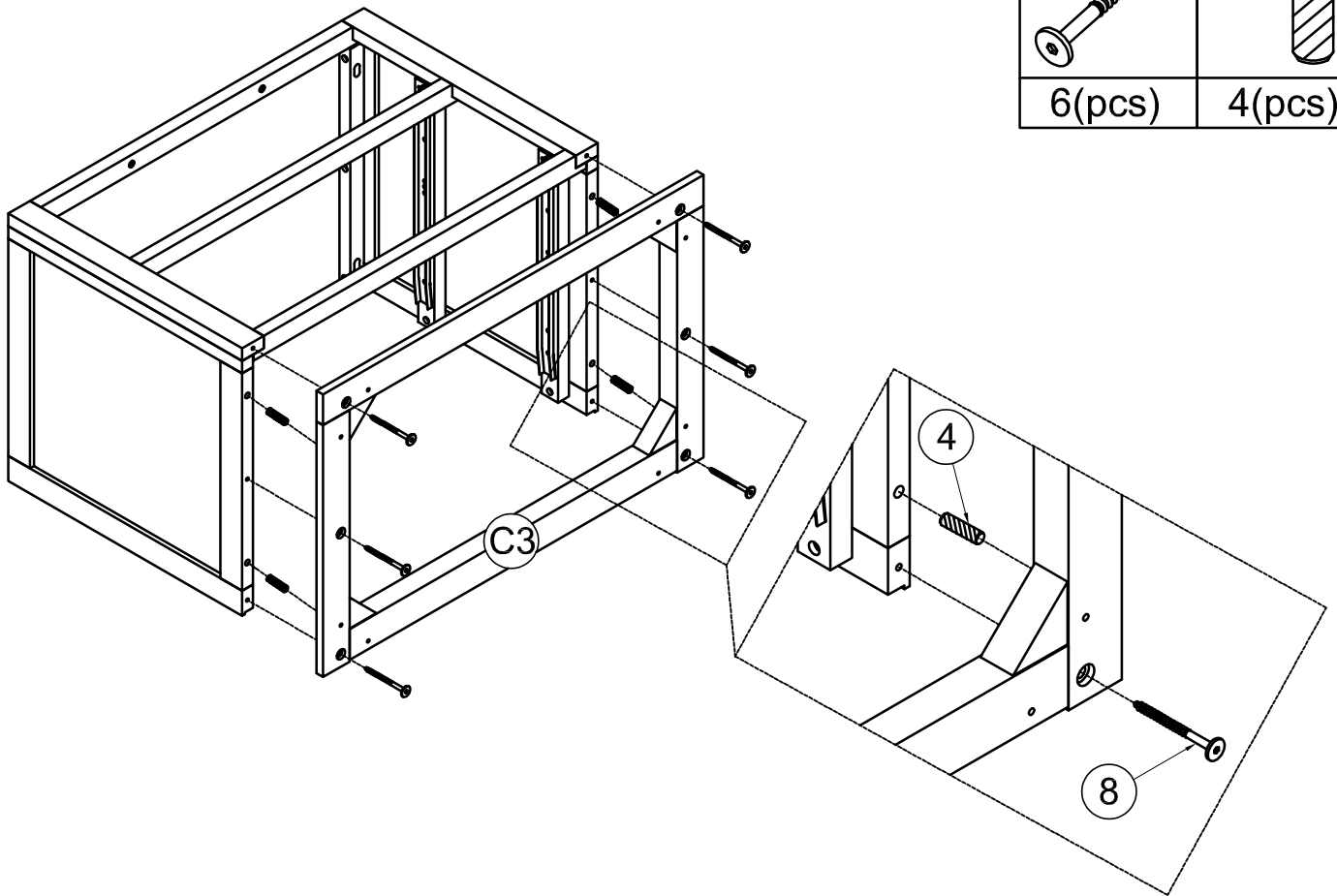


STEP2: Following below illustration.




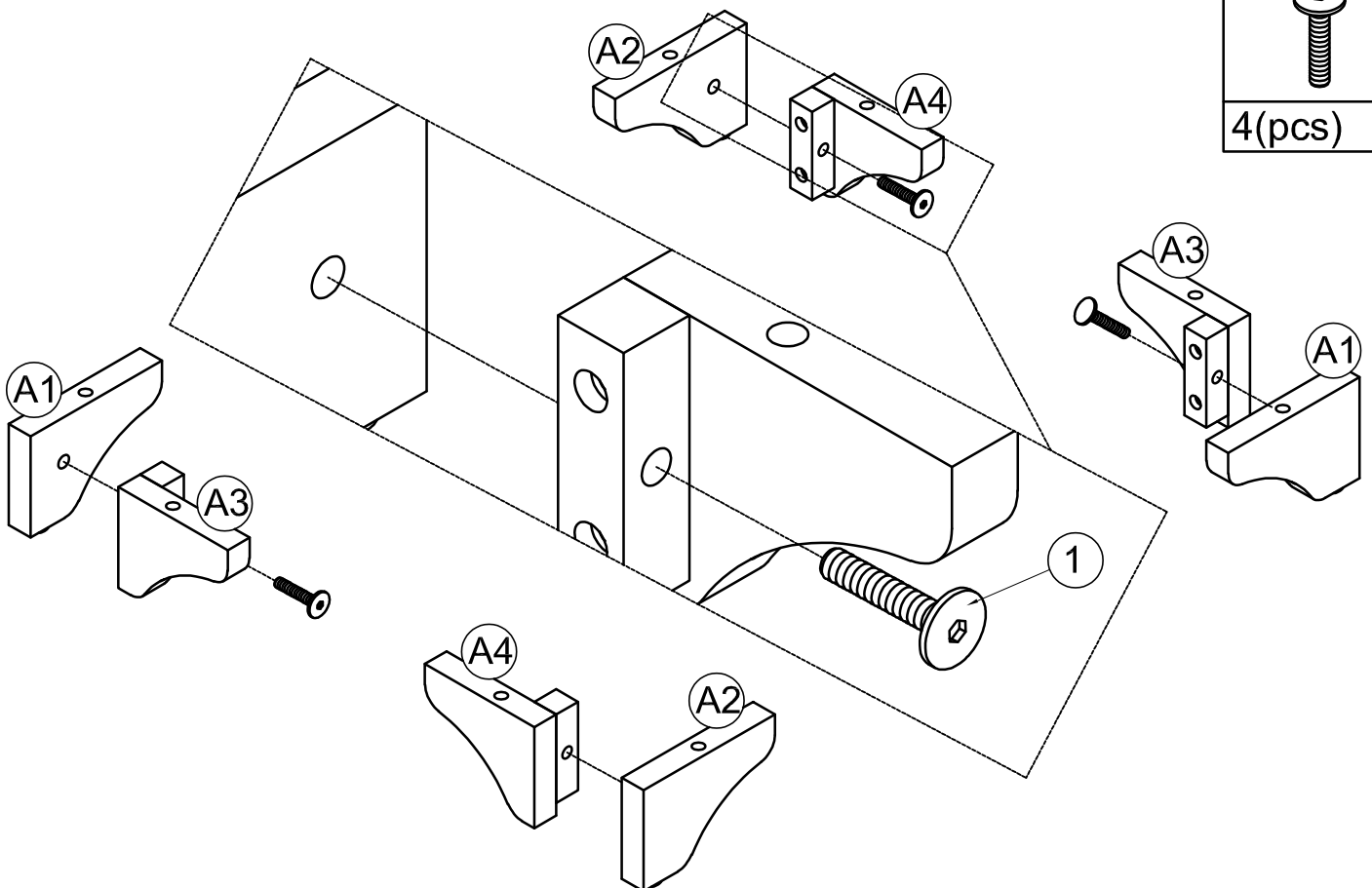
STEP3: Following below illustration.

8		4	
6(pcs)		4(pcs)	

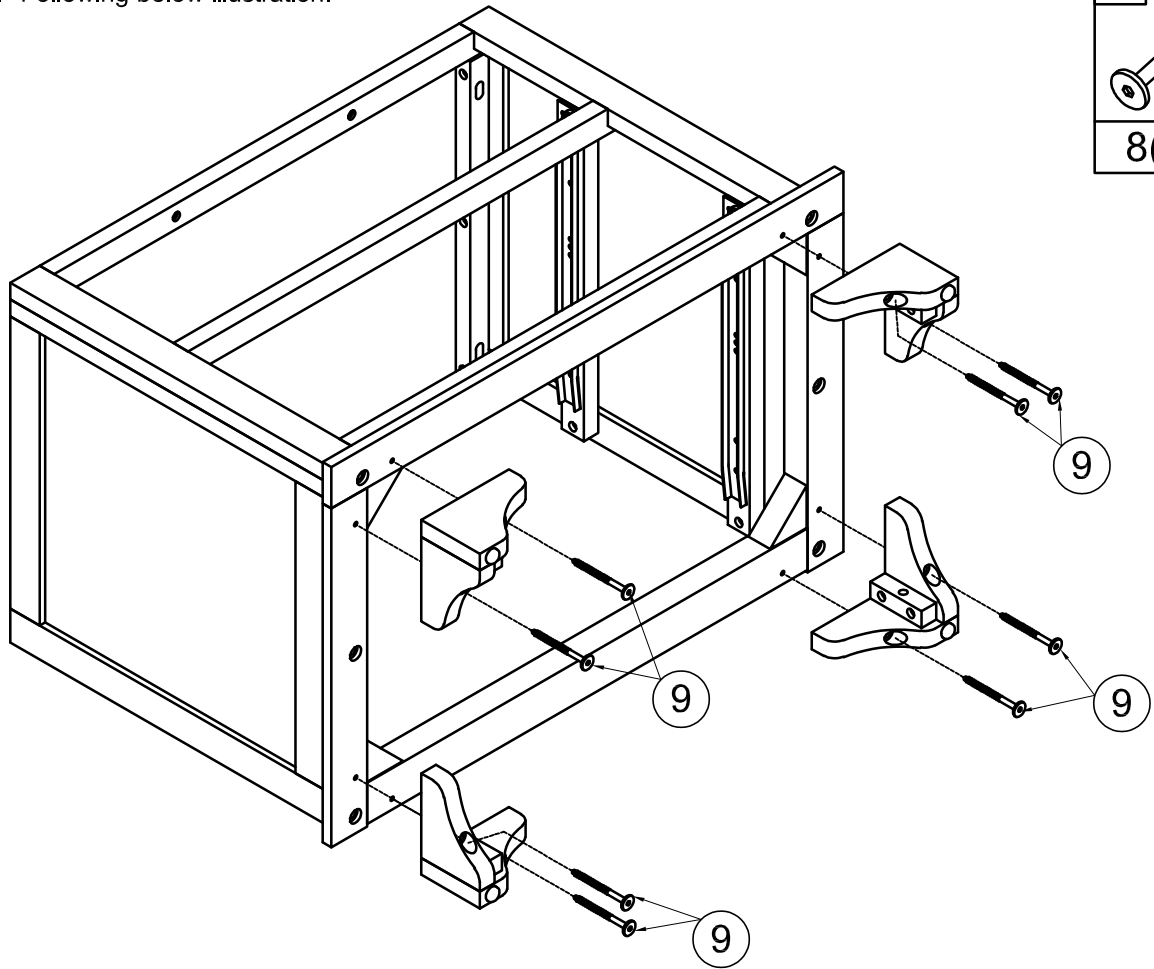


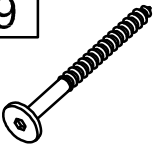
STEP4: Following below illustration.

1	
4(pcs)	

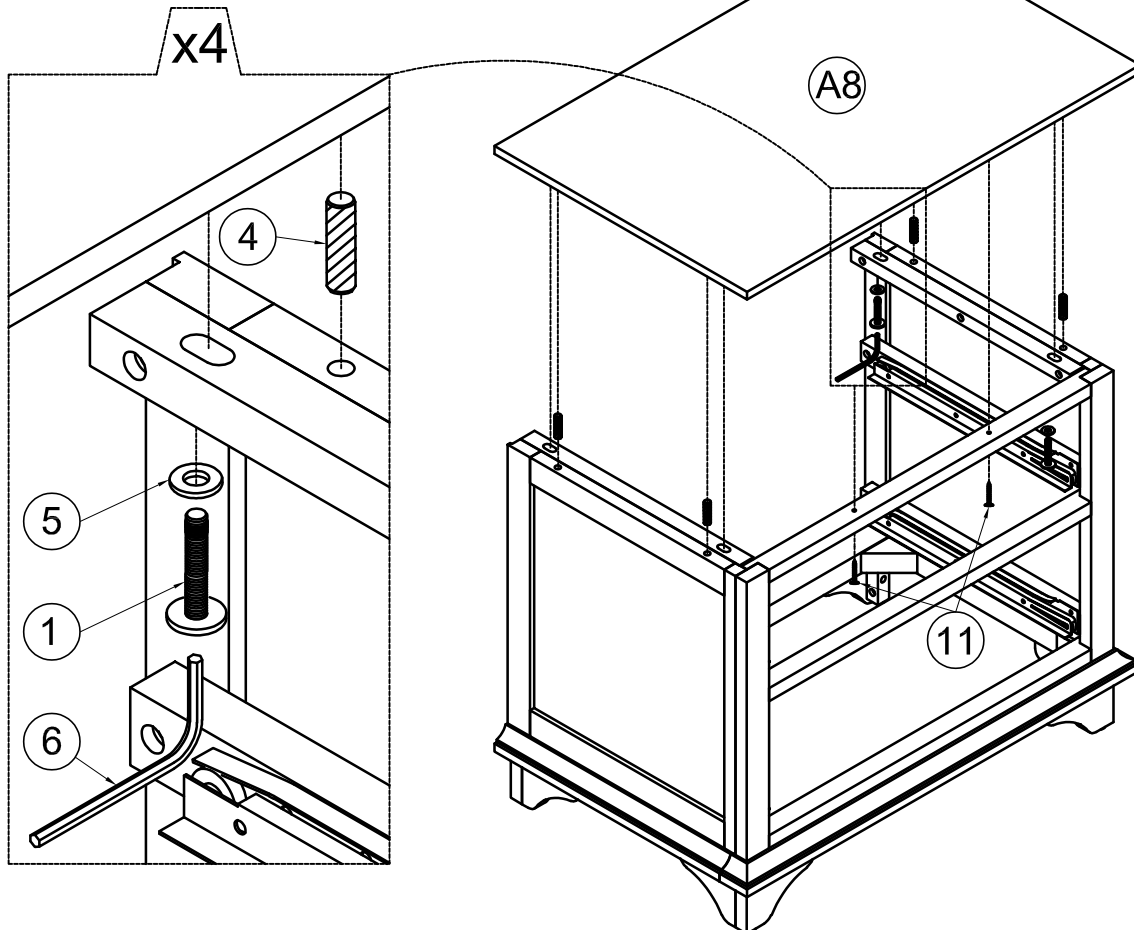





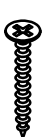
STEP5: Following below illustration.



- | | |
|--------|--|
| 9 |  |
| 8(pcs) | |

STEP6: Following below illustration.



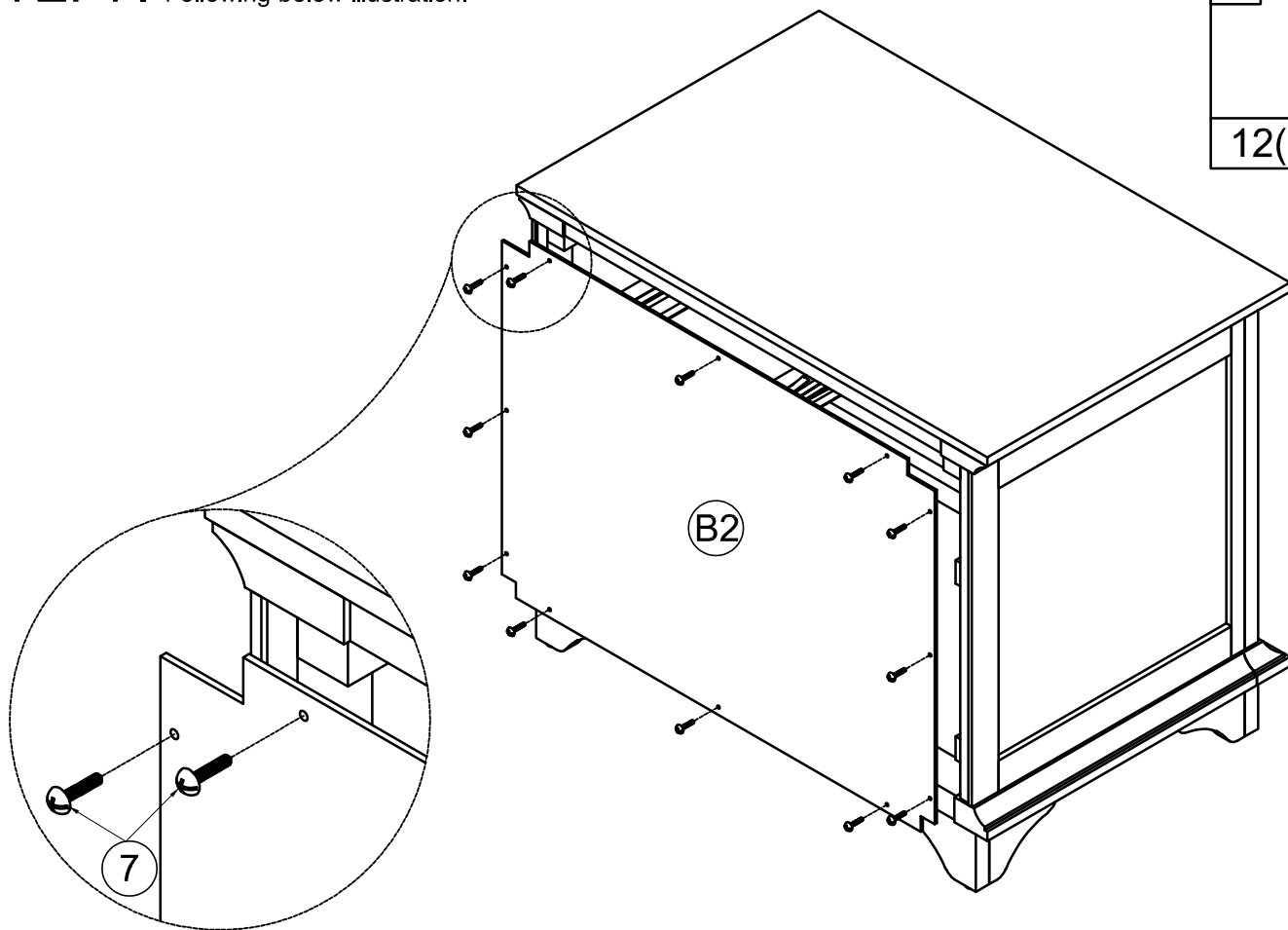
- | | |
|--------|---|
| 1 |  |
| 4(pcs) | |
| 5 |  |
| 4(pcs) | |
| 4 |  |
| 4(pcs) | |
| 11 |  |
| 2(pcs) | |

STEP7: Following below illustration.

7



12(pcs)



STEP8: Following below illustration.

11



4(pcs)

2

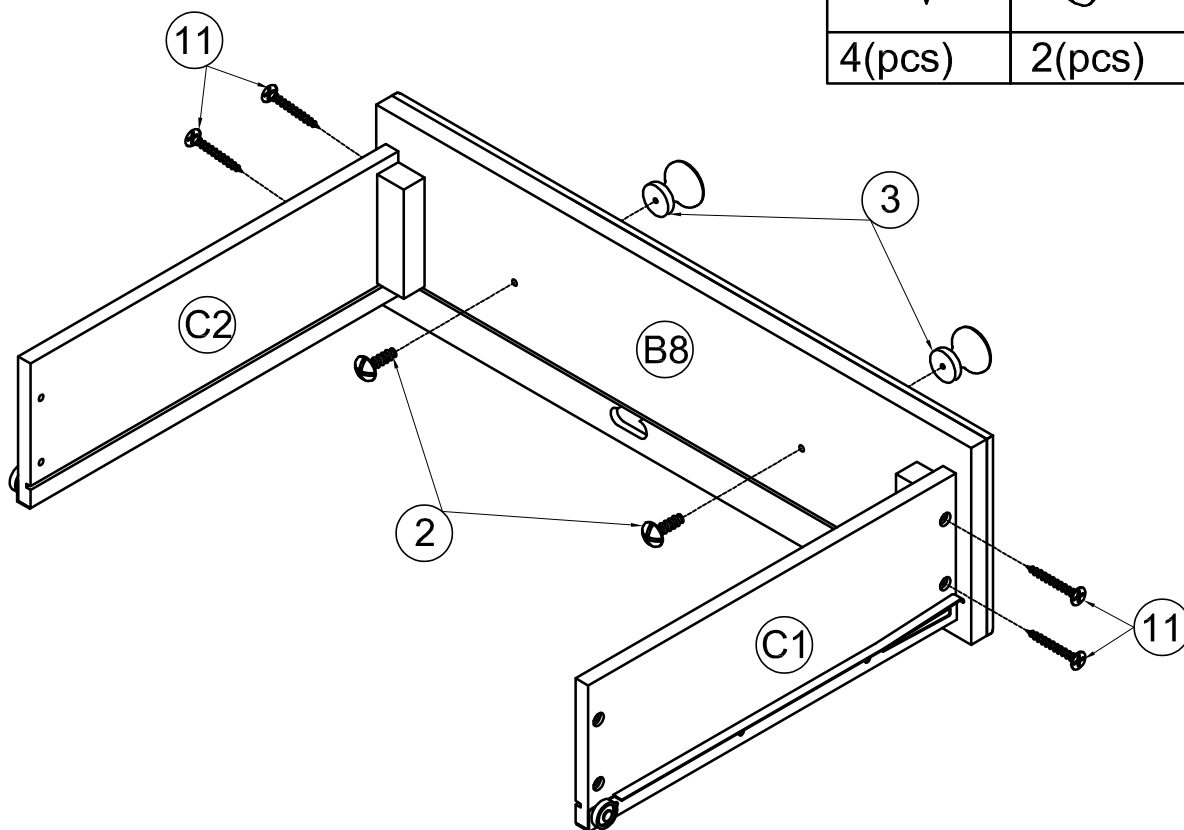


2(pcs)

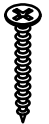
3

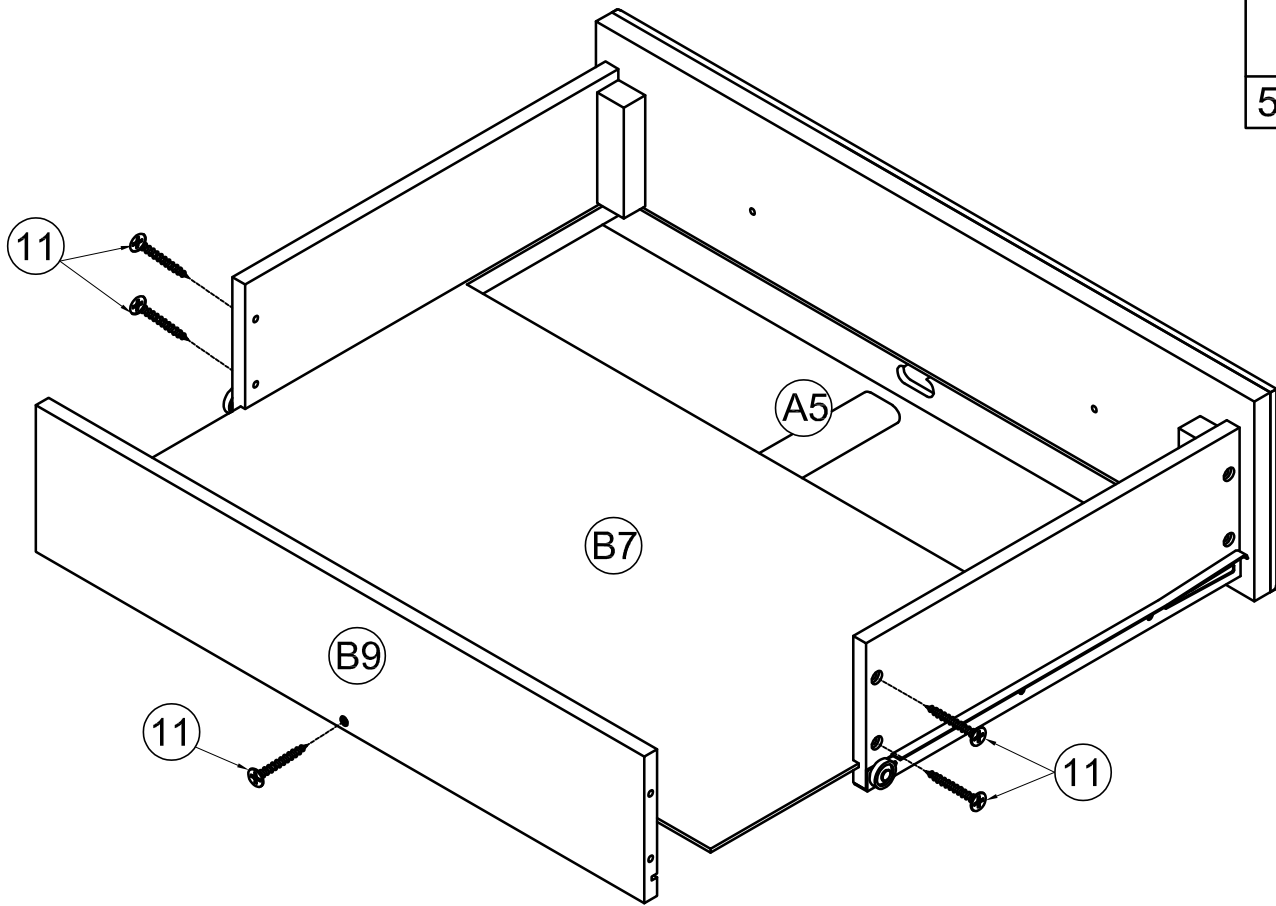


2(pcs)






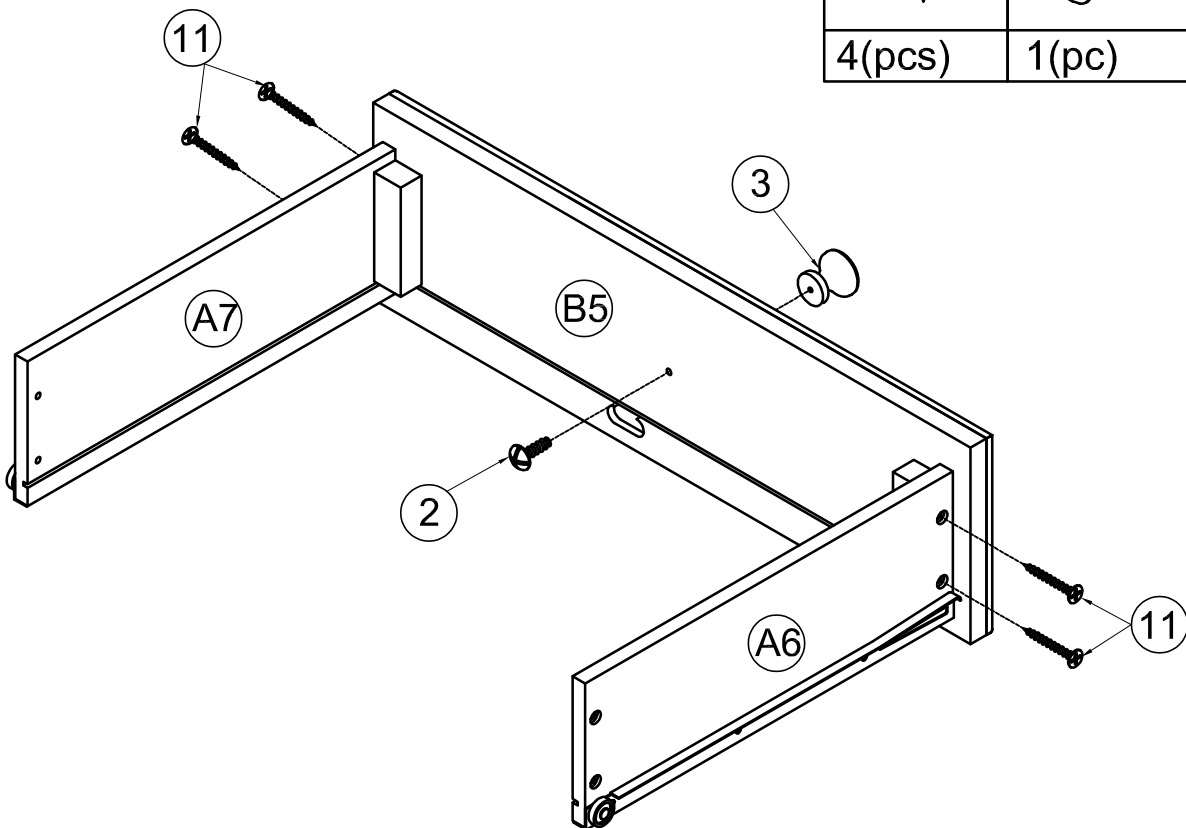
STEP9: Following below illustration.

11	
5(pcs)	




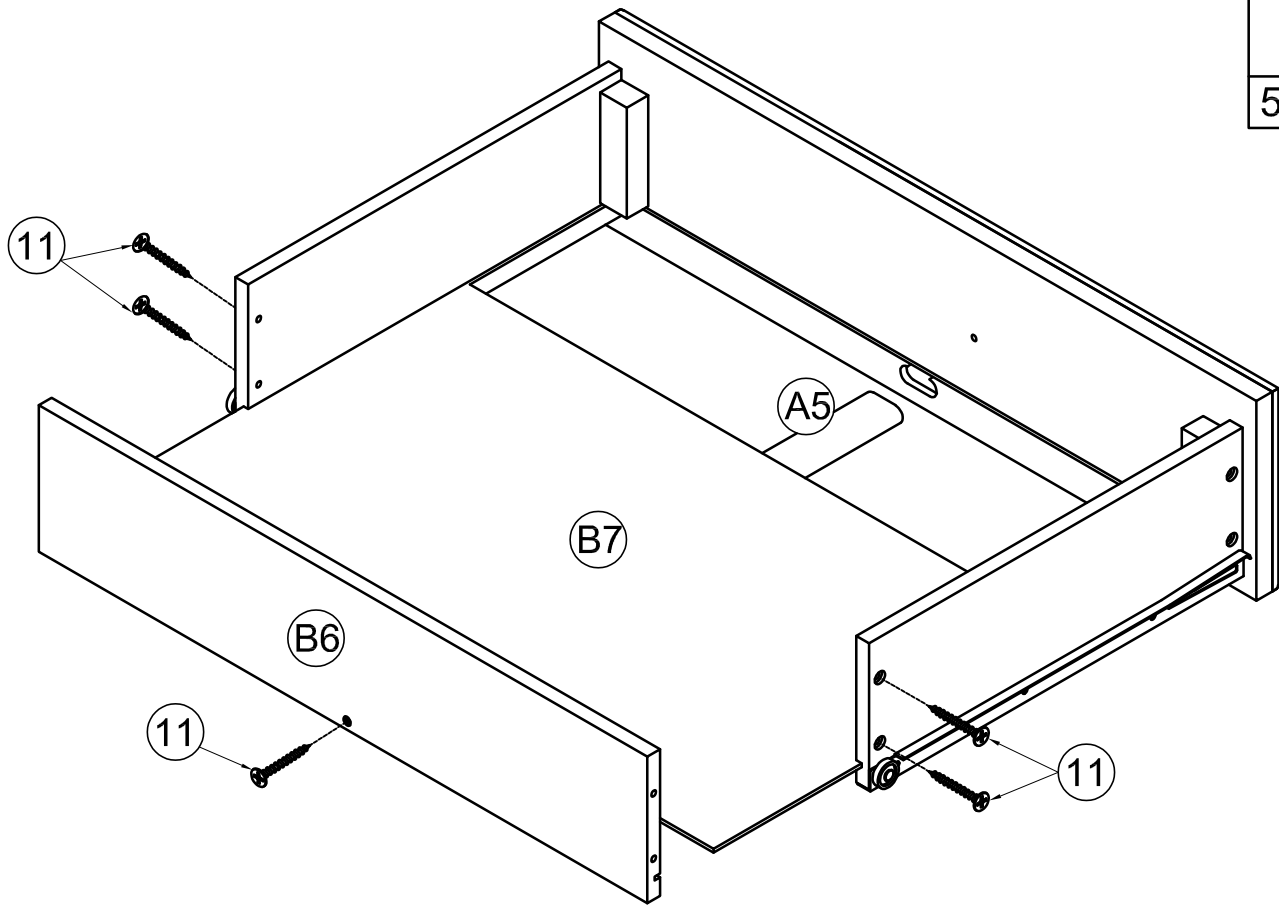
STEP10: Following below illustration.

11		2		3	
4(pcs)		1(pc)		1(pc)	



STEP11: Following below illustration.

11 
5(pcs)



STEP12: Following below illustration.

