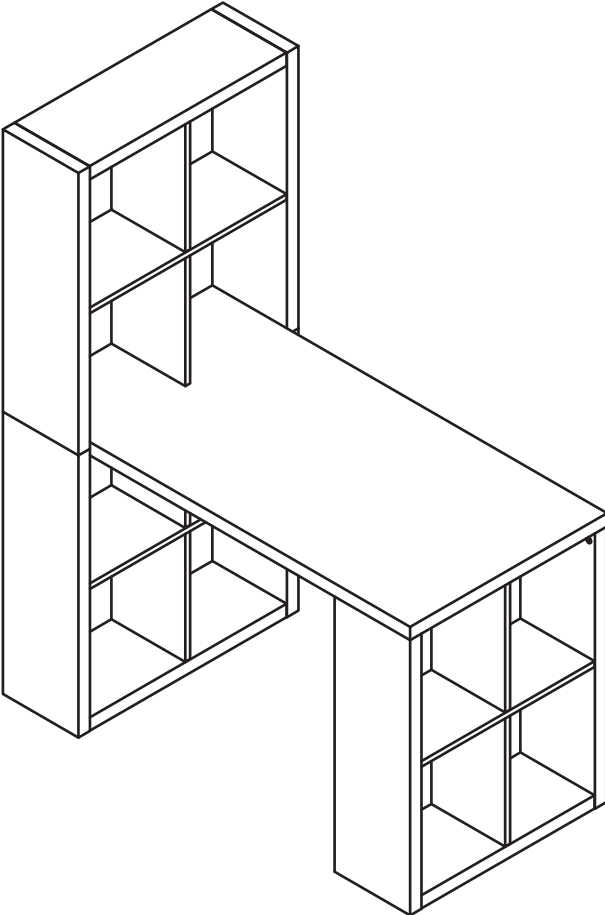
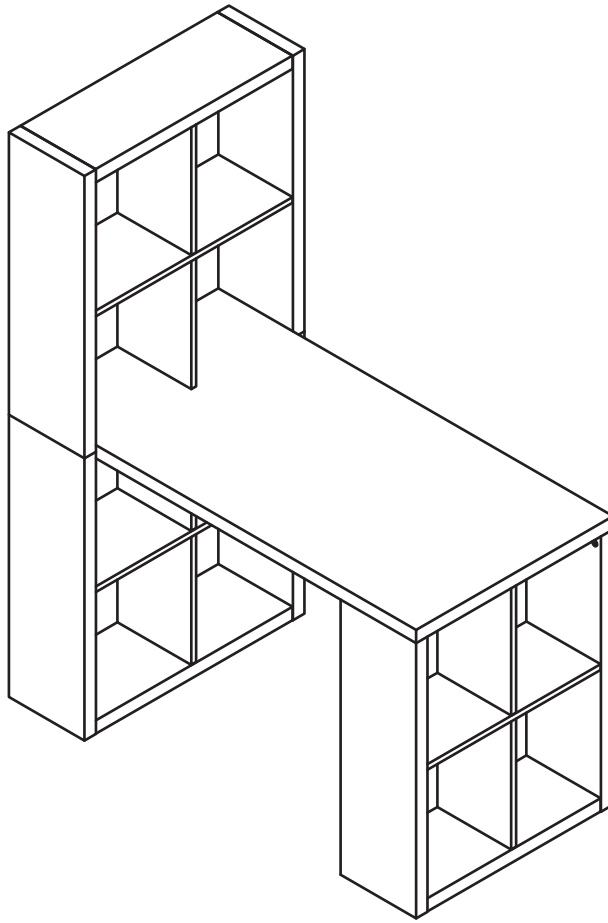

48" DESK AND DUAL BOOKCASE



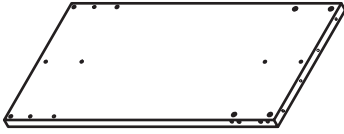


1. Do not use this product unless all screws and bolts are securely tightened.
2. Check that all screws and bolts are tight every three months or as needed.
3. Dispose of packing material properly. Do not use plastic cover as head covering. It may cause suffocation.
4. Do not use this product as a stepladder.
5. Use this product for its intended purpose only.
6. **FOR INDOOR RESIDENTIAL USE ONLY.**

LIMITED WARRANTY

We warrant to the original purchaser that this product will be free from defects in material and workmanship as described below. We will repair or replace, at its option, without charge to the original purchaser only, defective products or parts for one (1) year from the date of purchase. Replacement parts can only be supplied if parts are available. Items out of production may be unavailable. This warranty shall be effective for the applicable time period beginning from the date of purchase as shown on your original sales receipt. This warranty is your sole remedy for product defects and excludes defects due to or arising in connection with product abuse or misuse, use modification of, or attachments to the product, and products or parts not used, maintained, or installed in accordance with the company's installation, maintenance and/or applicable guidelines. There are no other warranties, express or implied, other than those specifically described, including without limitation any implied warranty of merchantability or of fitness for a particular purpose. We will not be responsible for incidental or consequential damages. Some states do not allow the exclusion or limitation of incidental or consequential damages, so the above limitations or exclusions may not apply to you. This warranty gives you specific legal rights and you may also have other rights which may vary from state to state. Our quality standards are among the highest in the industry. Please contact us when parts are damaged or missing.

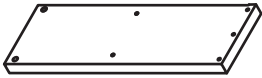
PARTS



(A) Desktop (1 Pc)



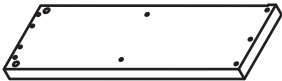
(B) Right Panel (1 Pc)



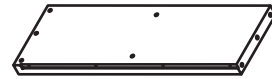
(C) Left Panel (1 Pc)



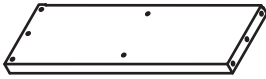
(D) Right Panel (1 Pc)



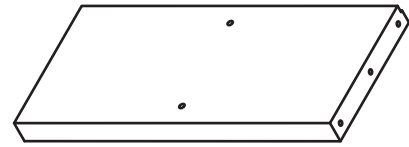
(E) Left Panel (1 Pc)



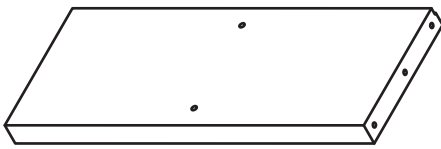
(F) Upper Right Panel (1 Pc)



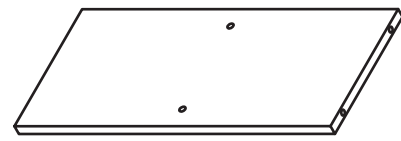
(G) Upper Left Panel (1 Pc)



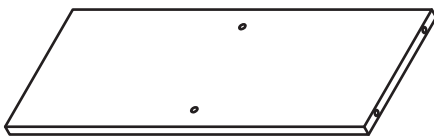
(H) Bottom Panel (1 Pc)



(I) Top and Bottom Panel (2 Pcs)



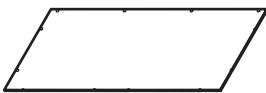
(J) Shelf (1 Pc)



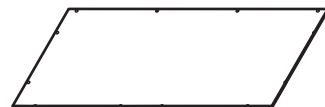
(K) Shelf (2 Pcs)



(L) Partition (6 Pcs)



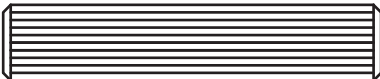







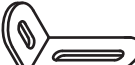



(M) Back Panel (2 Pcs)



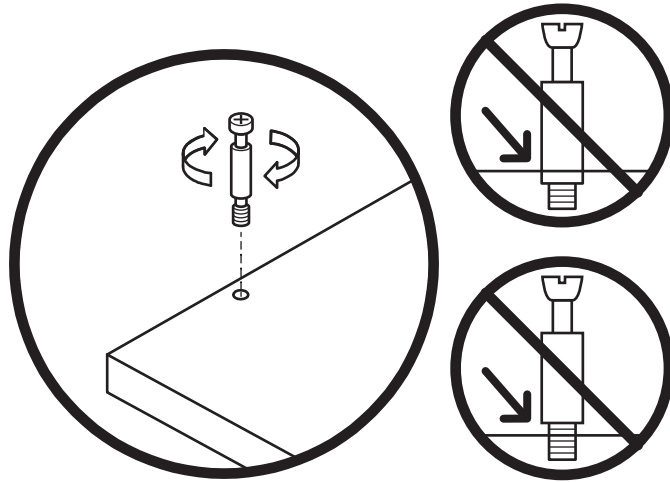
(N) Back Panel (4 Pcs)

HARDWARE

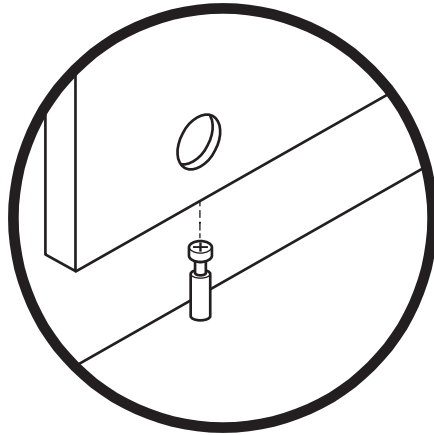
NO	DRAWING	DESCRIPTION	SIZE	QUANTITY
1		Cam Bolt	M6 x 24mm	24 Pcs
2		Phillips Screw	3 x 12mm	52 Pcs
3		Wood Dowel	10 x 50mm	4 Pcs
4		Wood Dowel	8 x 30mm	24 Pcs
5		Wood Dowel	8 x 50mm	16 Pcs
6		Phillips Screw	4 x 15mm	1 Pc
7		Phillips Screw	4 x 25mm	1 Pc
8		Cam Lock	15 x 9mm	24 Pcs
9		Cam Lock Cover	20mm	12 Pcs
10		Wall Anchor	6 x 29mm	1 Pc
11		Wall Bracket	35 x 50 x 15mm	1 Pc
12		Glue	N/A	1 Pc

Phillips screwdriver also needed for assembly (not provided)

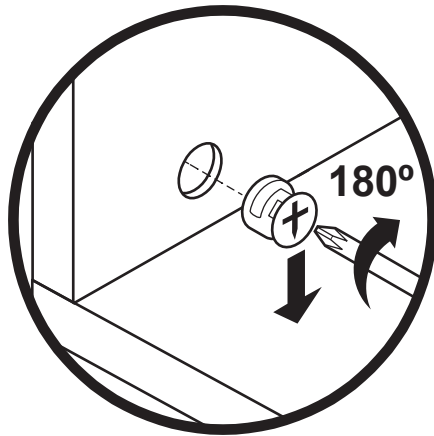
CAM LOCK INSTALLATION



Screw in Cam Bolt so it's flush with panel.
Do not overtighten, and do not leave a gap.

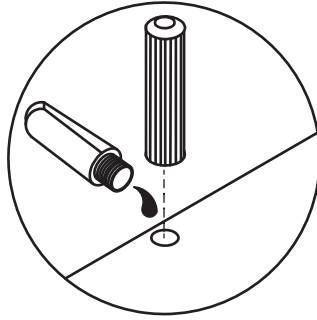


Align hole in panel with Cam Bolt and attach.






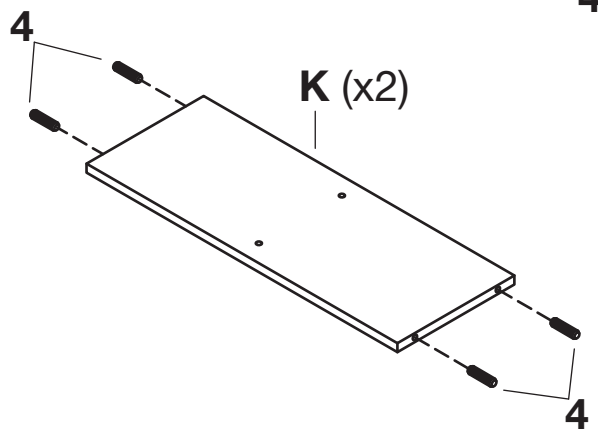
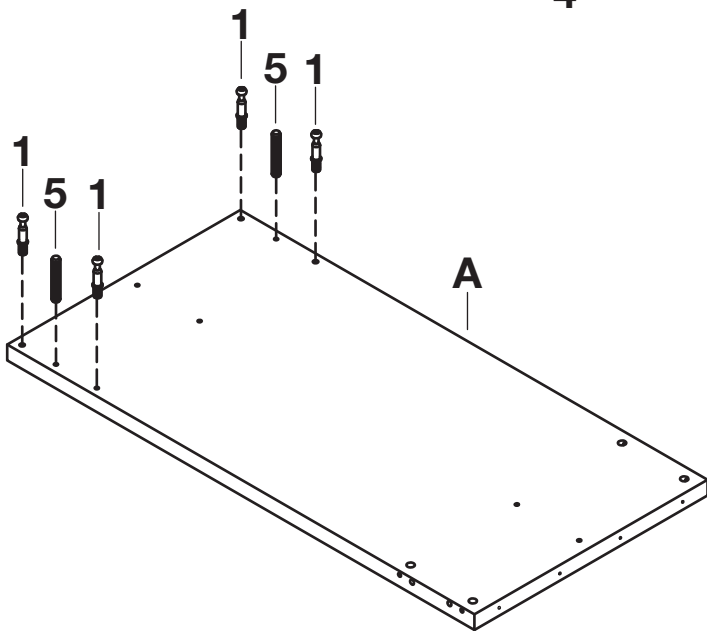
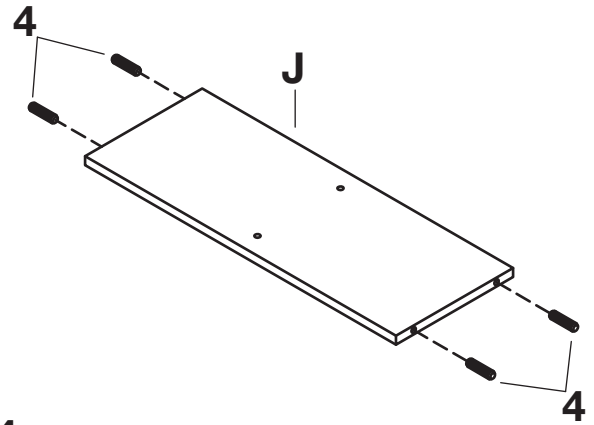
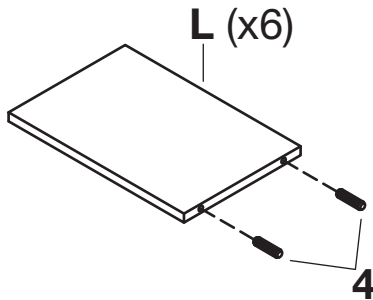
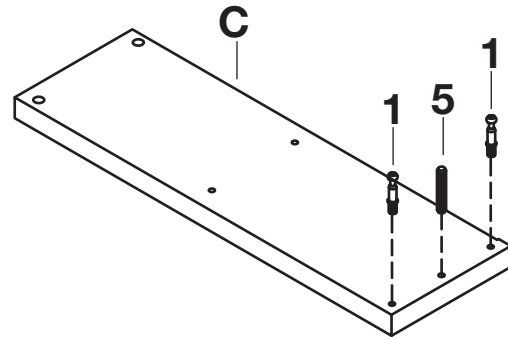
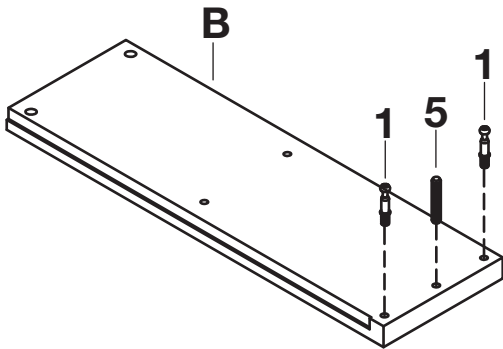
Insert Cam Lock into hole (arrow faces Bolt). Turn clockwise until you feel Cam Lock securely fasten to Cam Bolt. Fully tighten Cam Lock.

STEP 1

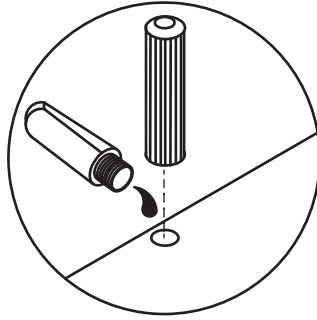


APPLY ONE DROP OF GLUE
IN ALL DOWEL HOLES.




1		x8
4		x24
5		x4

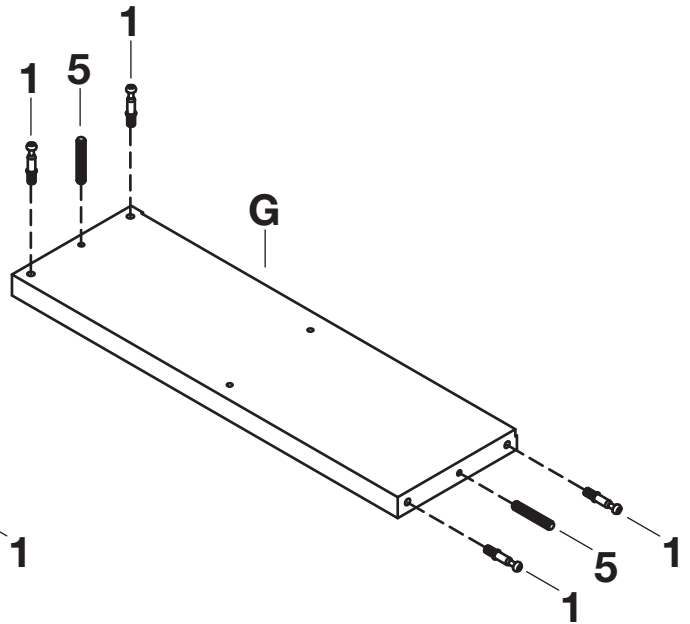
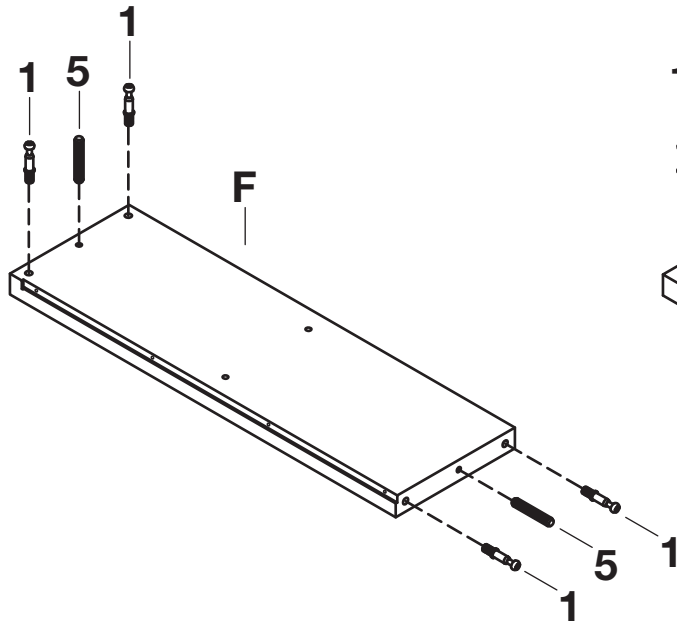
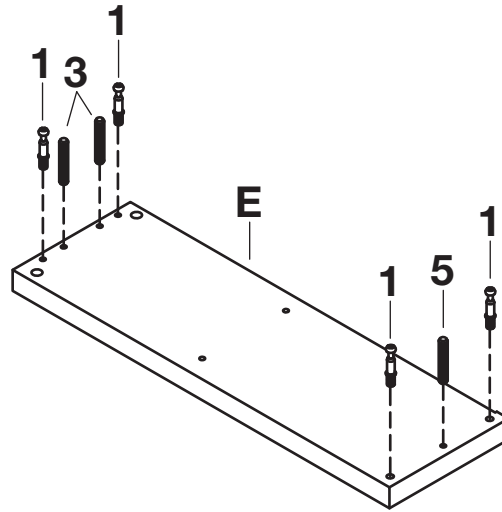
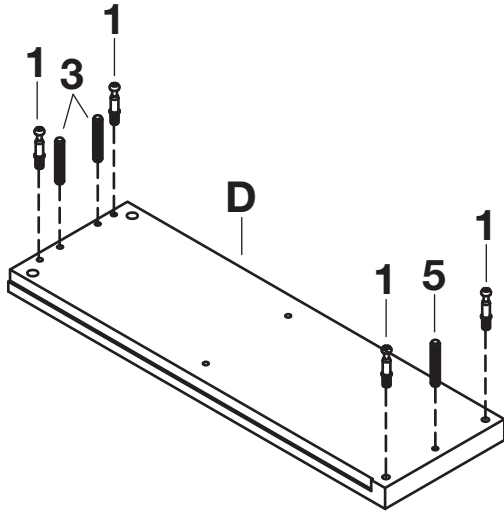


STEP 2

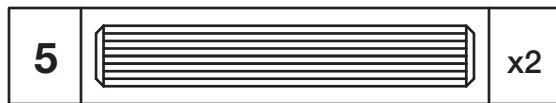
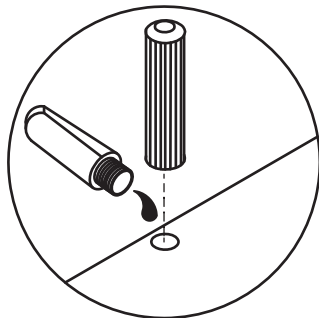


APPLY ONE DROP OF GLUE
IN ALL DOWEL HOLES.

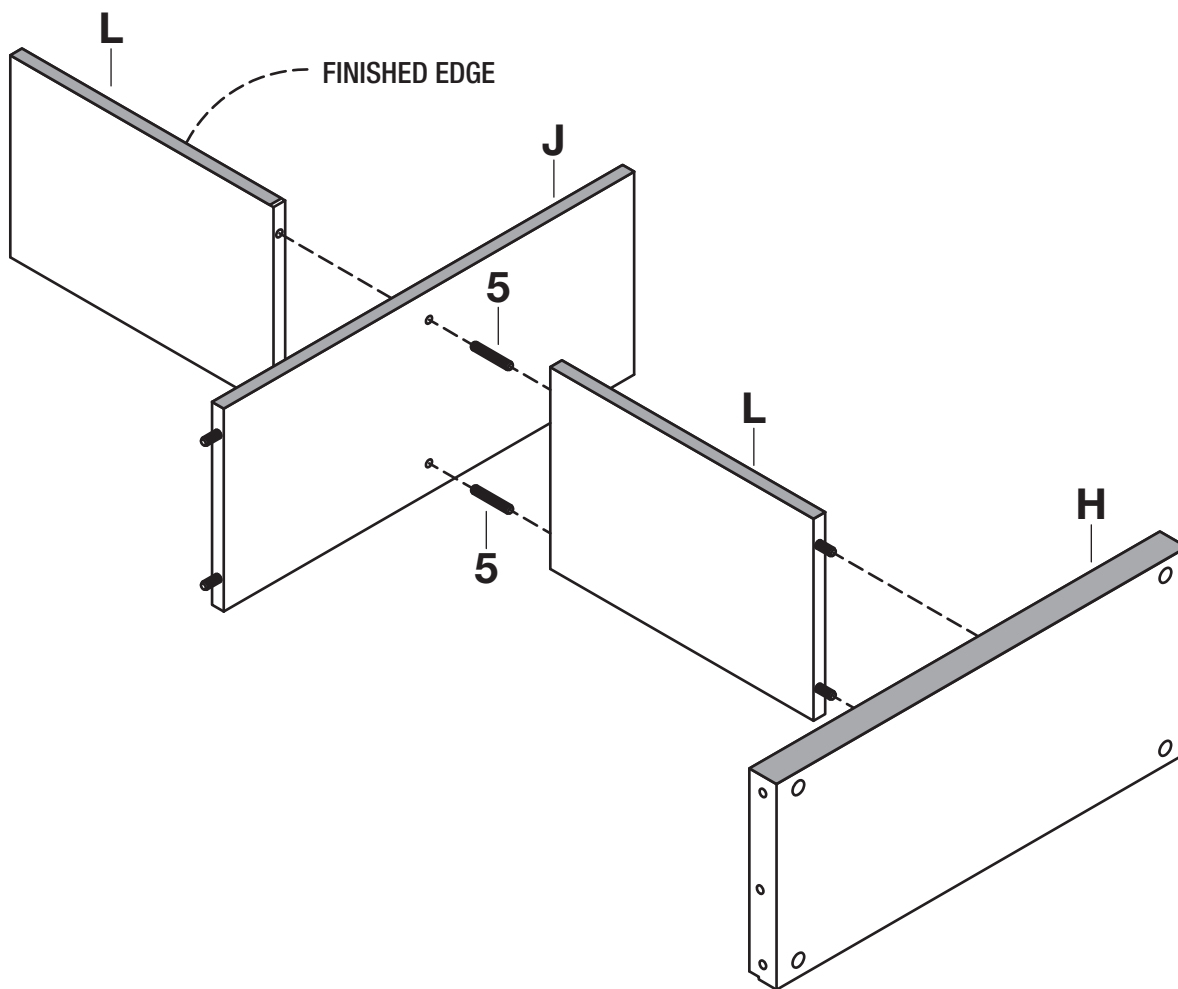
1		x16
3		x4
5		x6



STEP 3

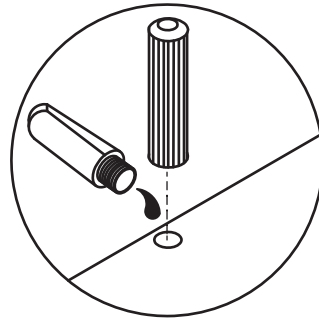


APPLY ONE DROP OF GLUE
IN ALL DOWEL HOLES.

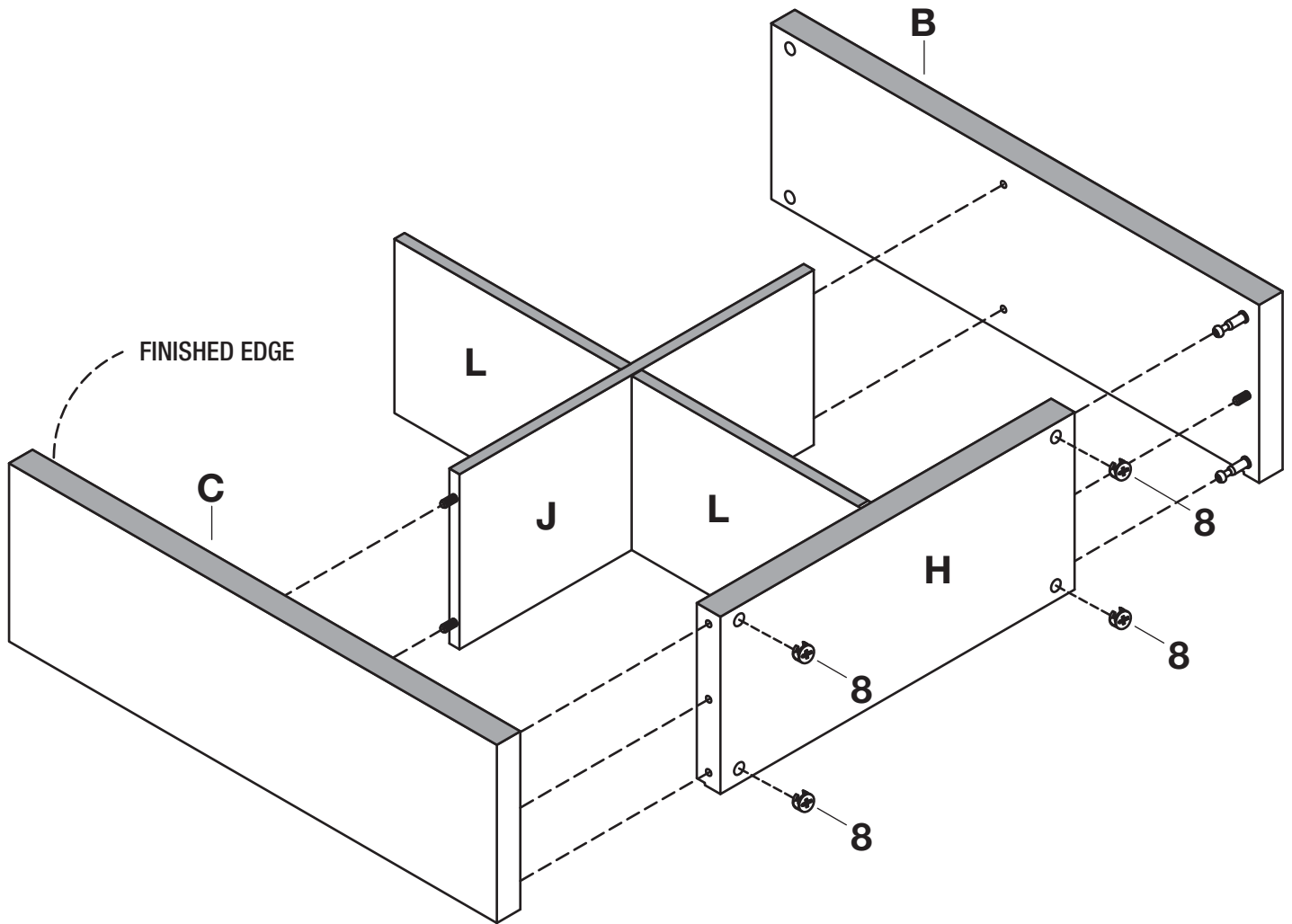


STEP 4

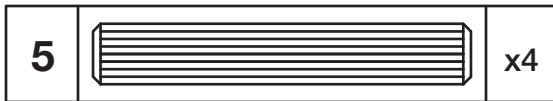
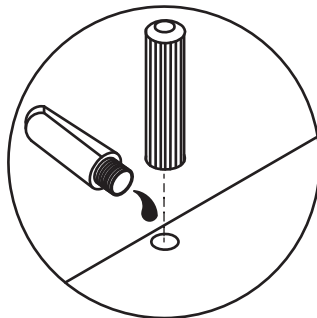
8		x4
---	---	----



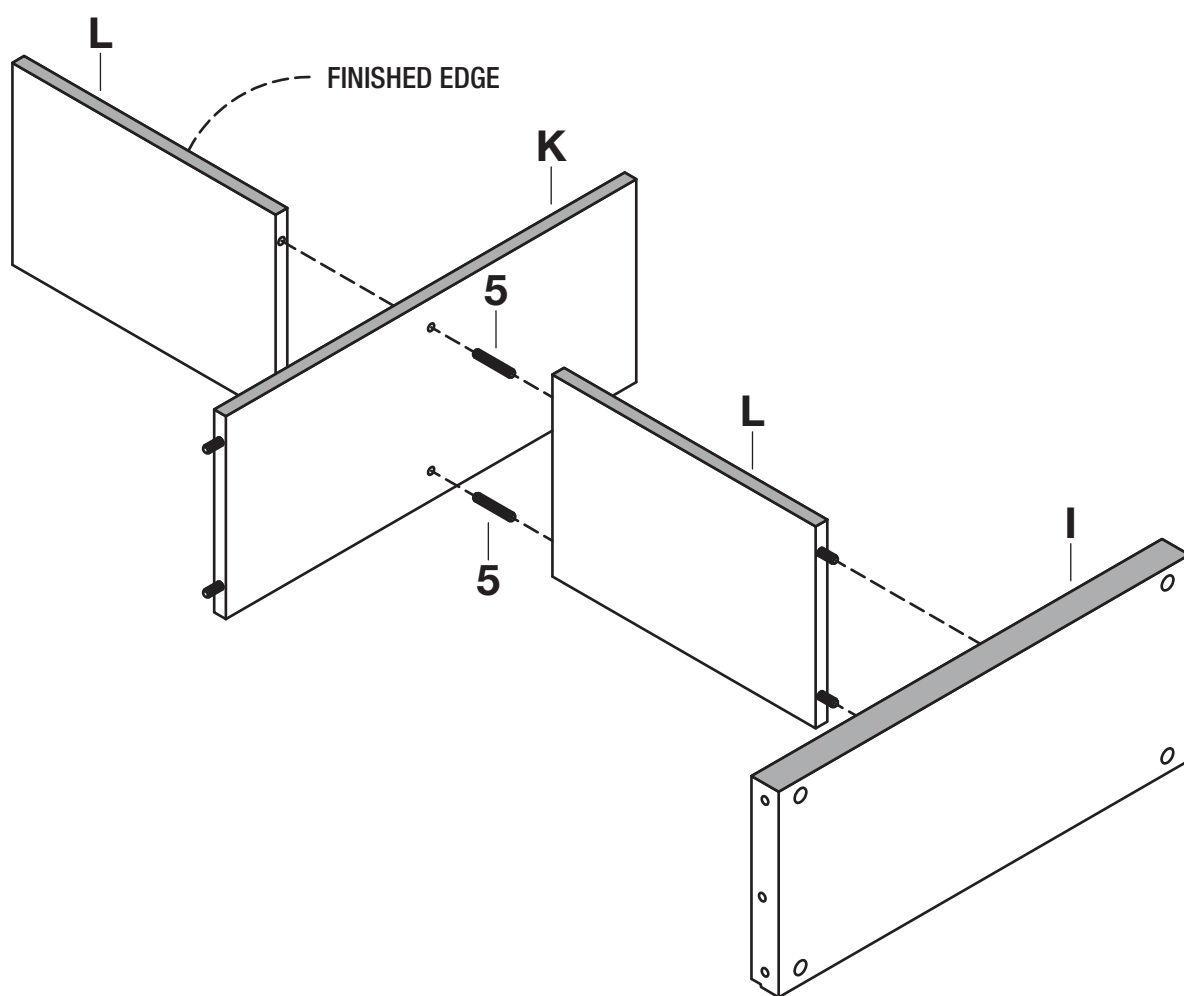
APPLY ONE DROP OF GLUE
IN ALL DOWEL HOLES.



STEP 5

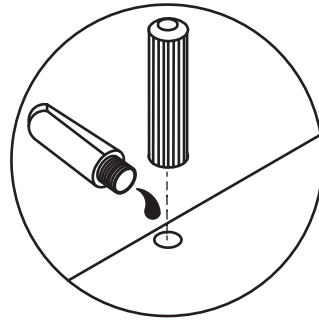


APPLY ONE DROP OF GLUE
IN ALL DOWEL HOLES.

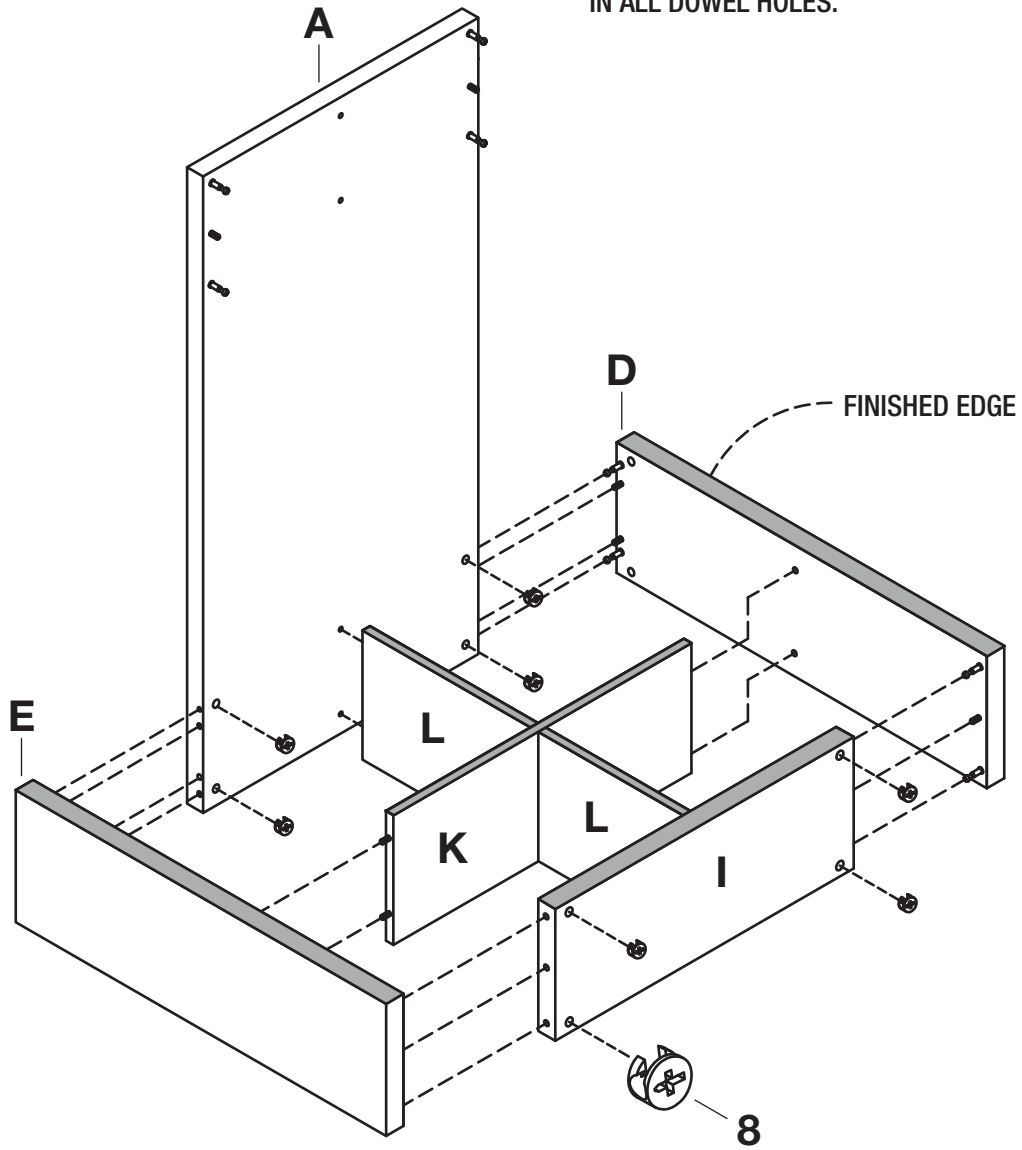


STEP 6

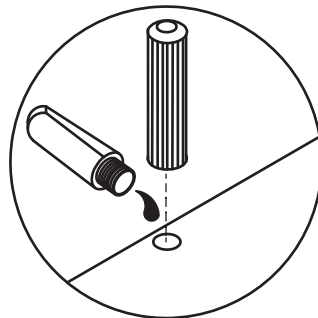
8		x8
---	---	----





APPLY ONE DROP OF GLUE
IN ALL DOWEL HOLES.

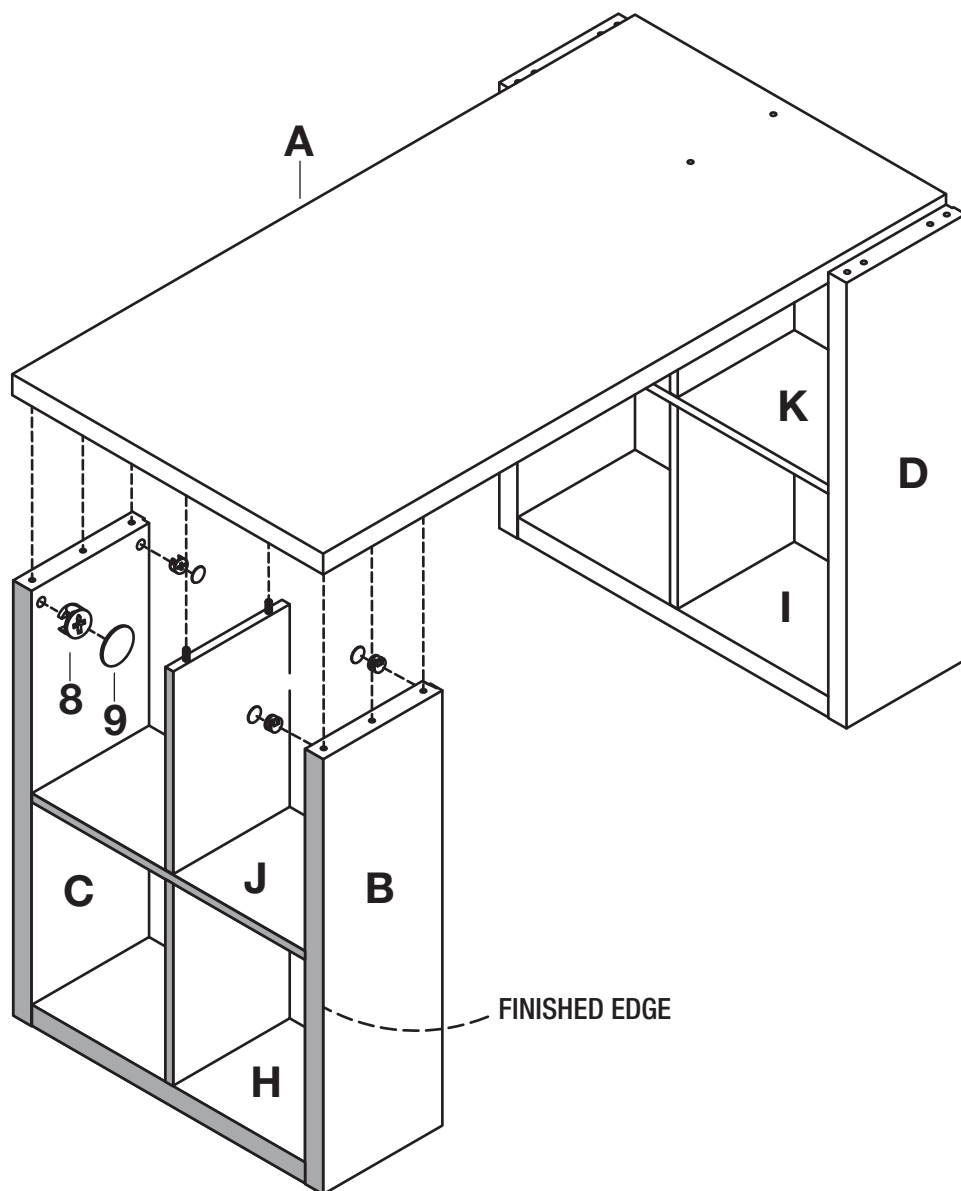


STEP 7



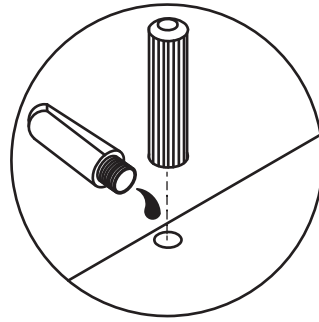
8		x4
9		x4

APPLY ONE DROP OF GLUE
IN ALL DOWEL HOLES.

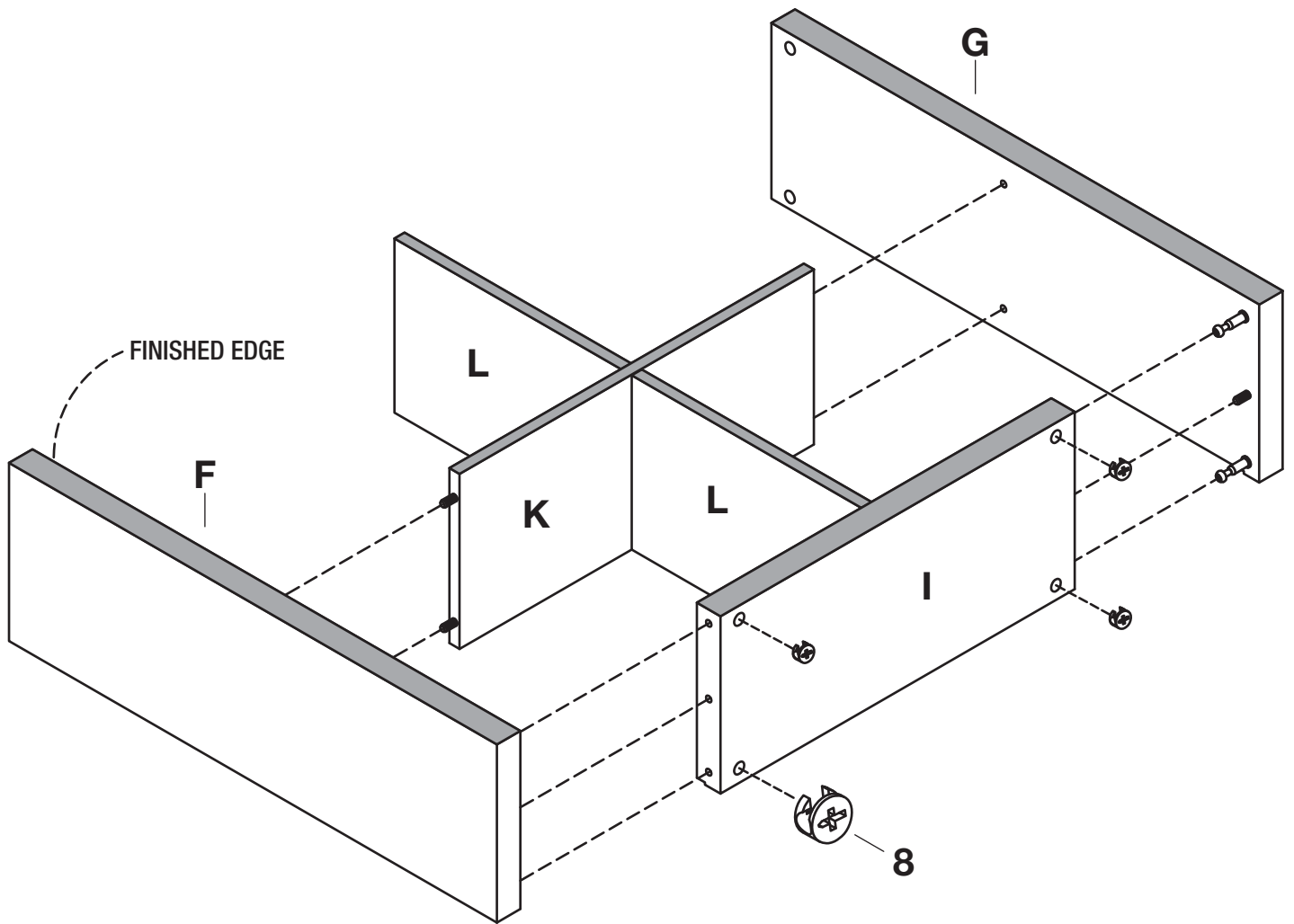


STEP 8

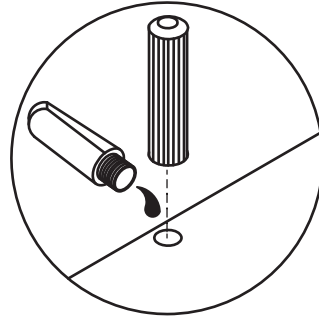
8		x4
---	---	----





APPLY ONE DROP OF GLUE
IN ALL DOWEL HOLES.

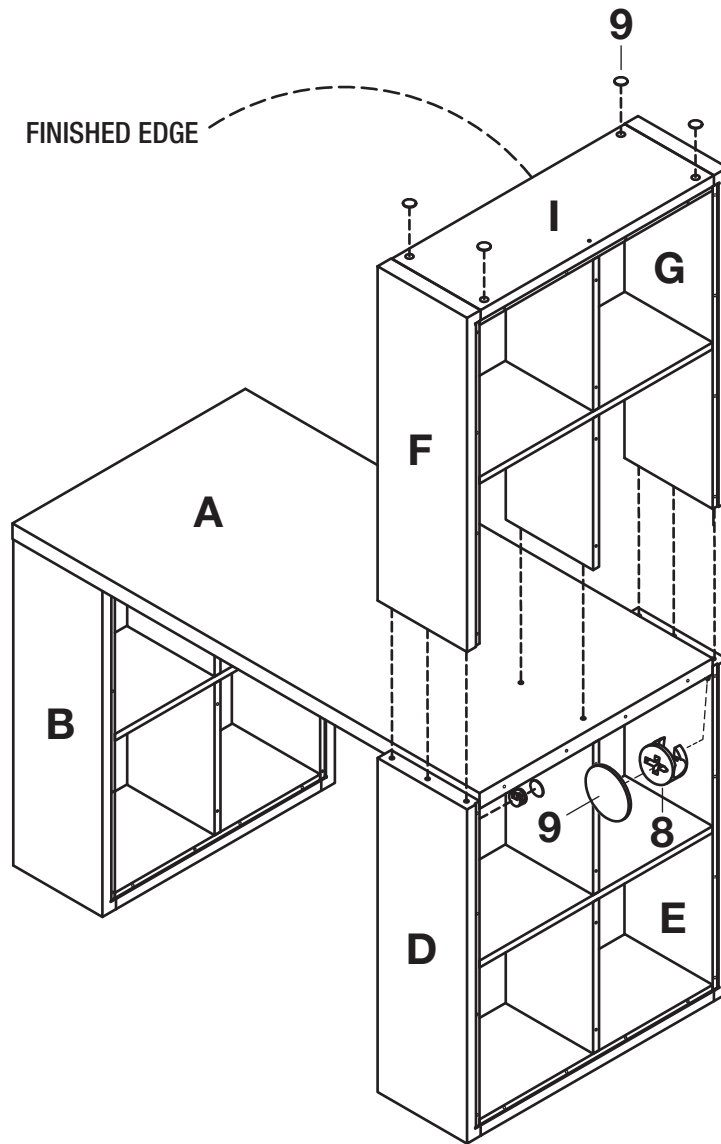


STEP 9

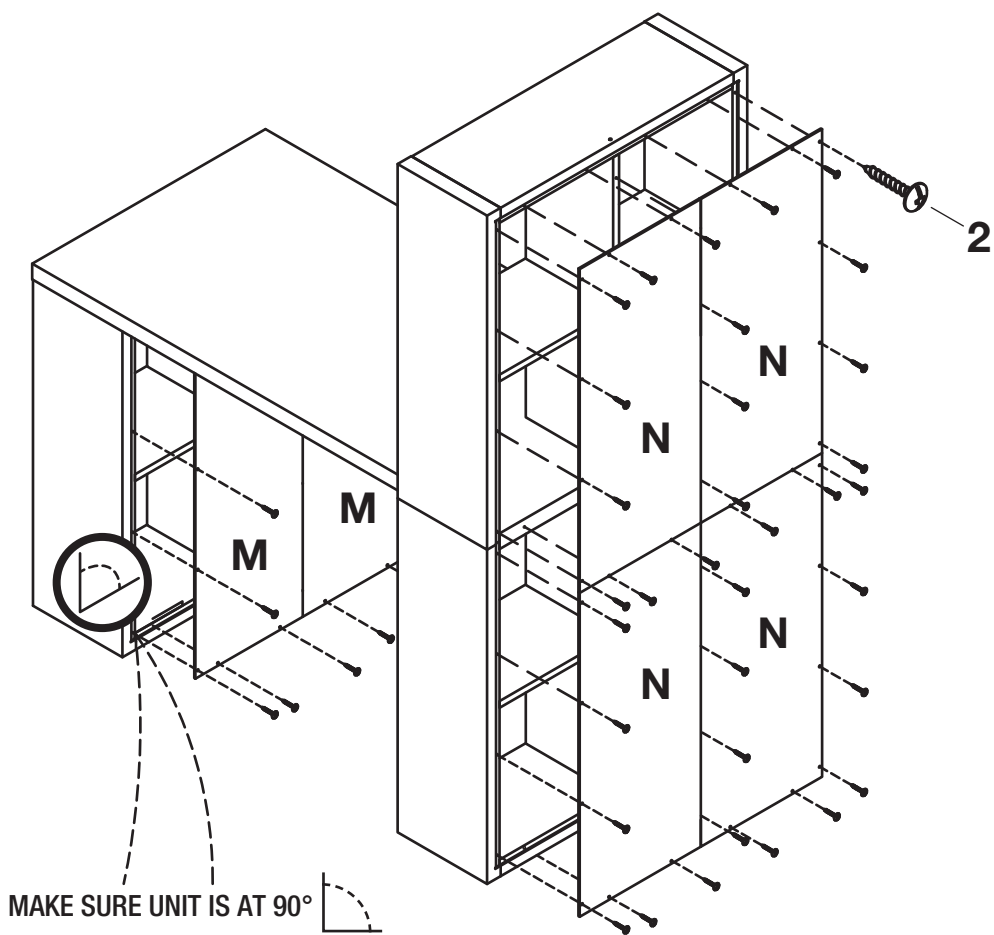
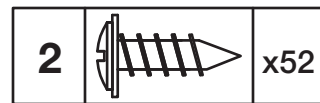


APPLY ONE DROP OF GLUE
IN ALL DOWEL HOLES.





8		x4
9		x8



STEP 10



STEP 11

6		x1
7		x1
10		x1
11		x1

