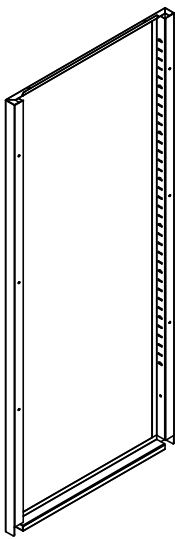
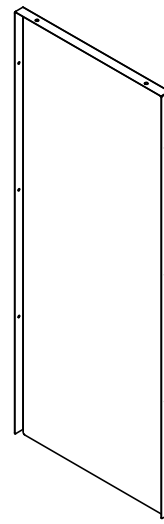


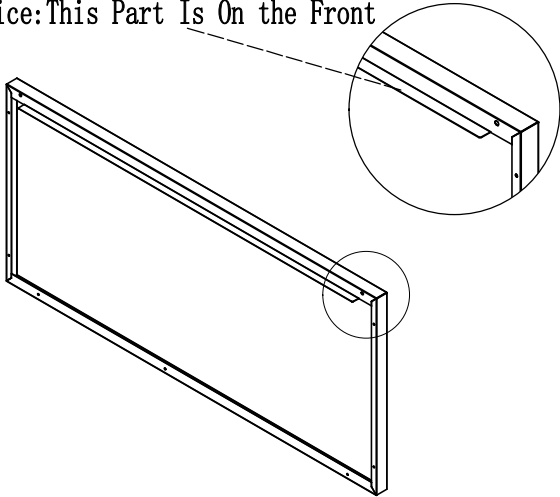
A*2



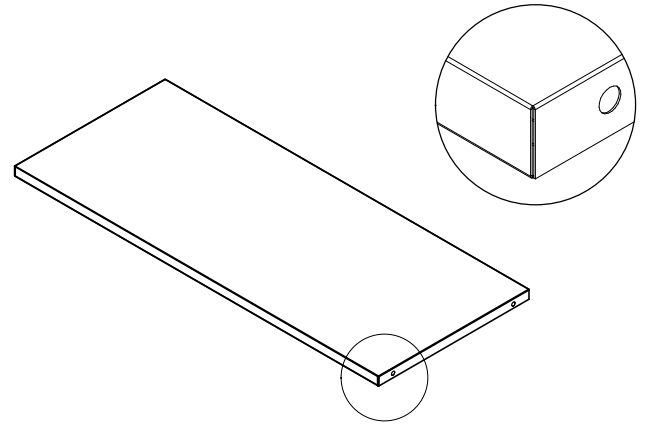
B*2



Notice: This Part Is On the Front

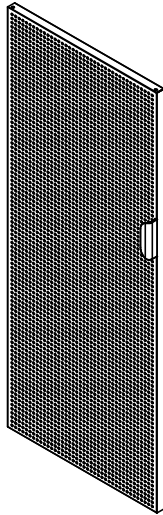


C*1

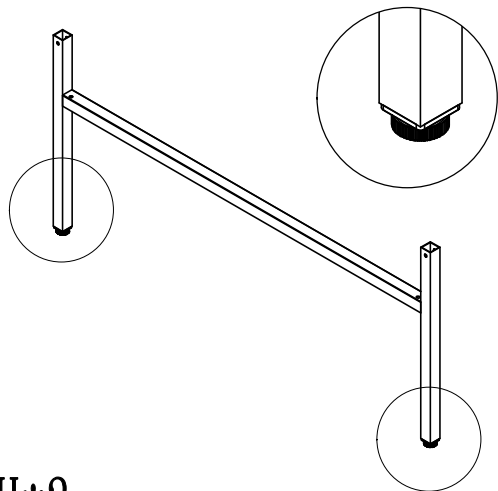
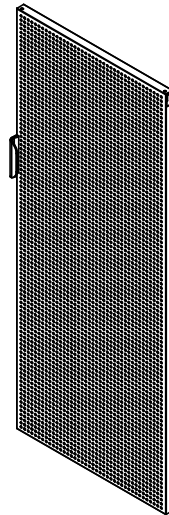


D*3

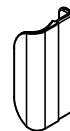
E*1



F*1



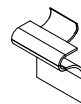
H*2



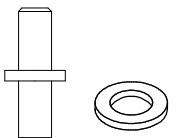
G*2



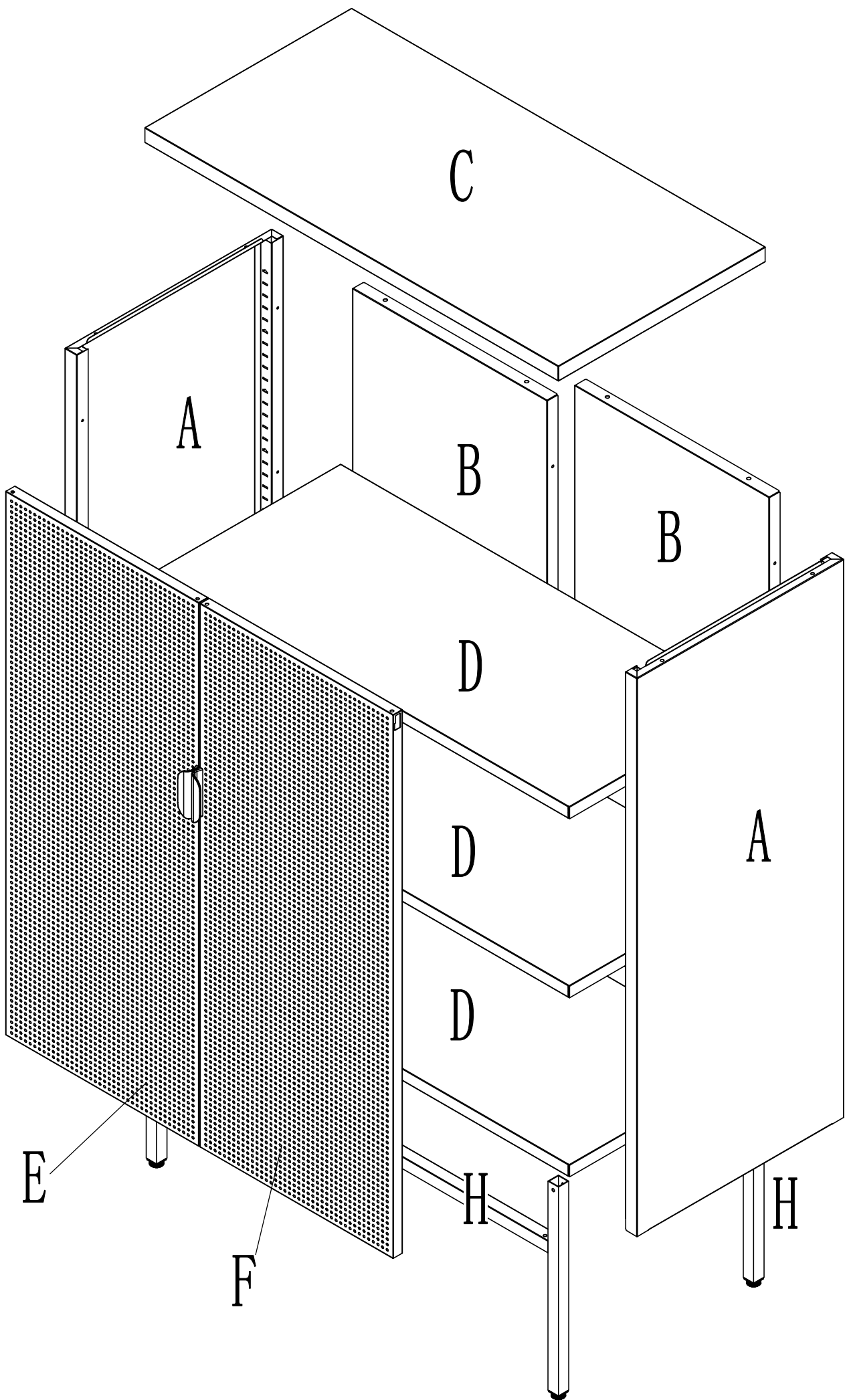
I*25



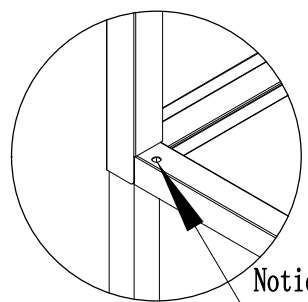
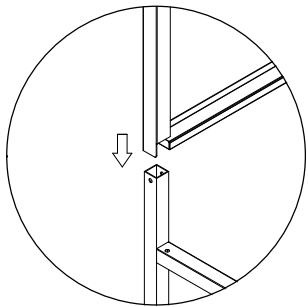
L*8



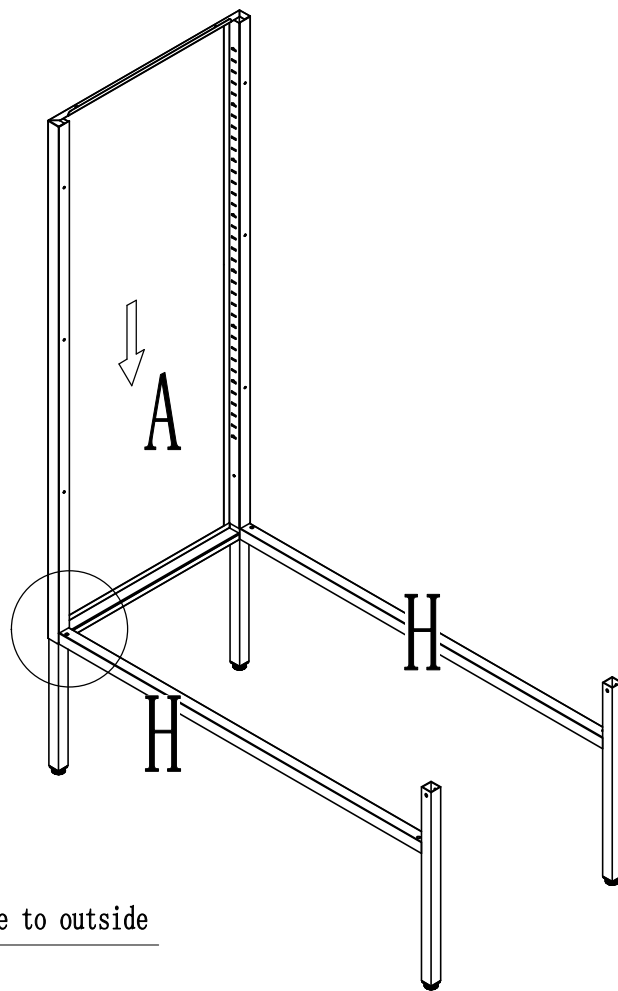
K*2



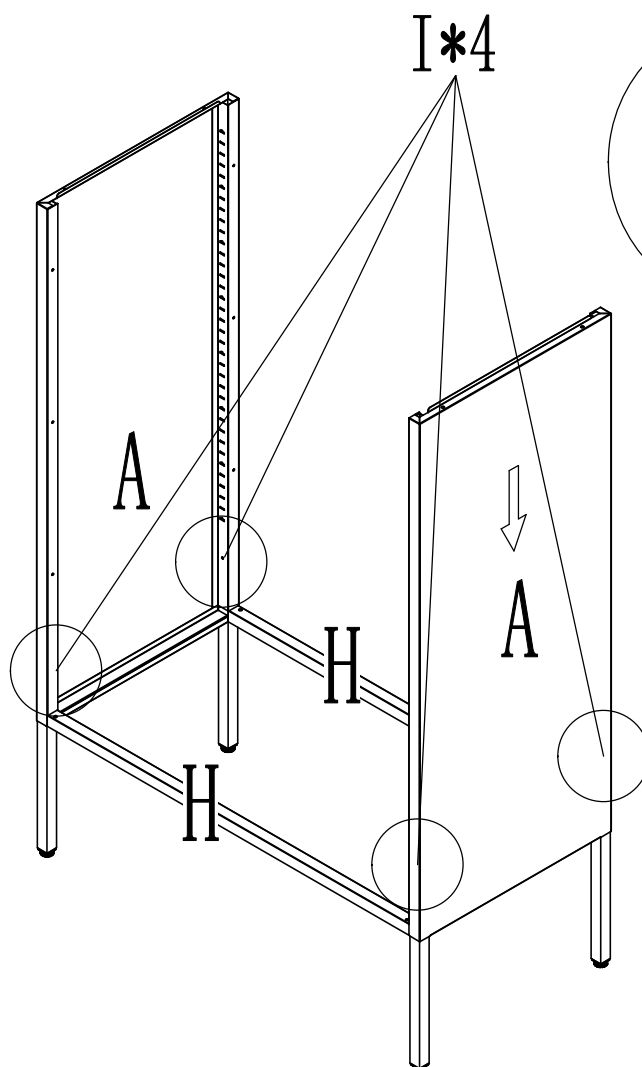
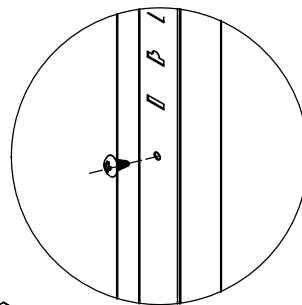
1



Notice: This hole to outside

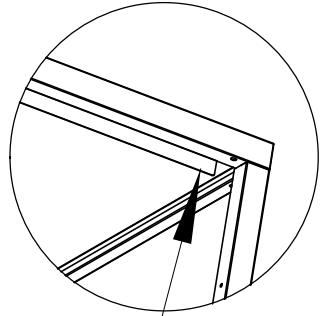
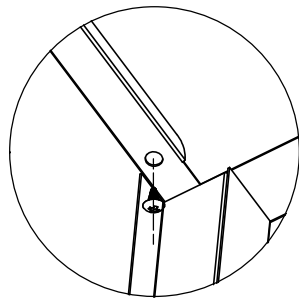
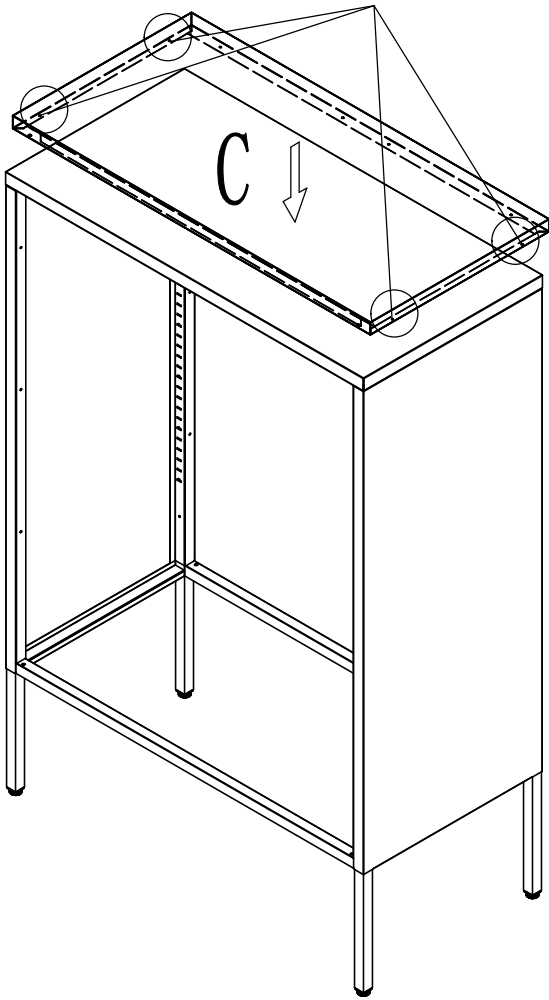


2



3

I*4



Notice: This part is on the front

4

Front

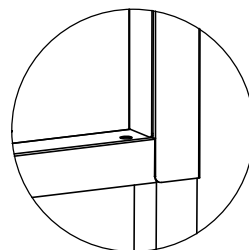
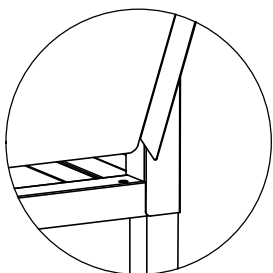
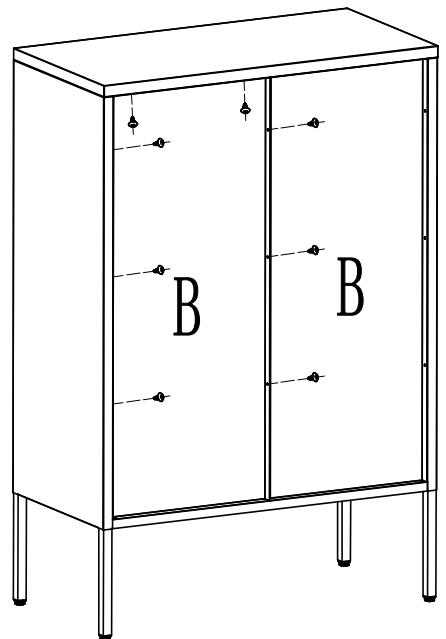
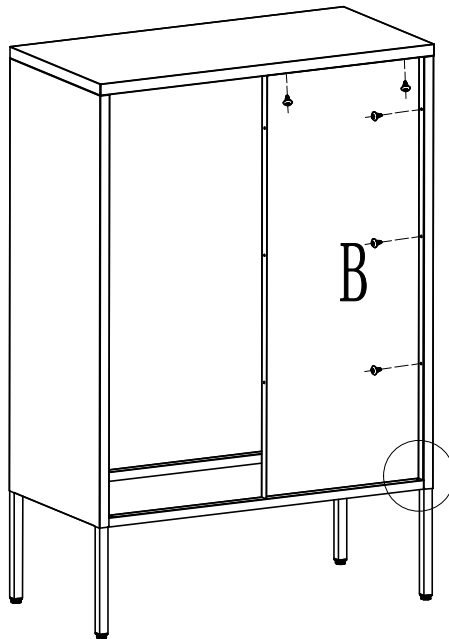
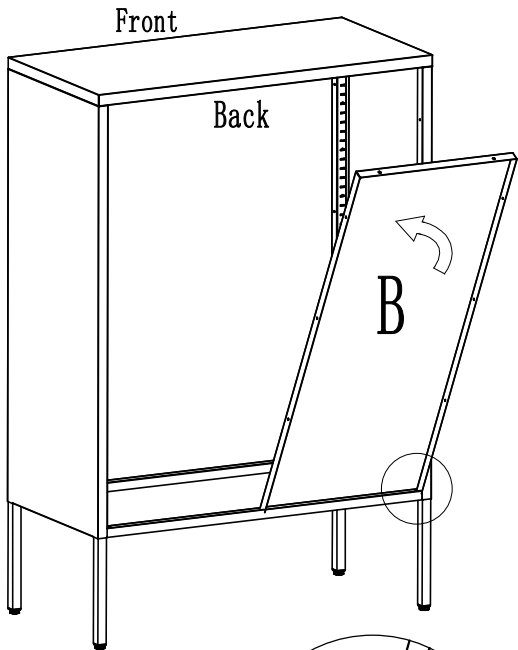
Back

B

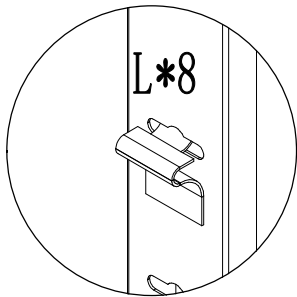
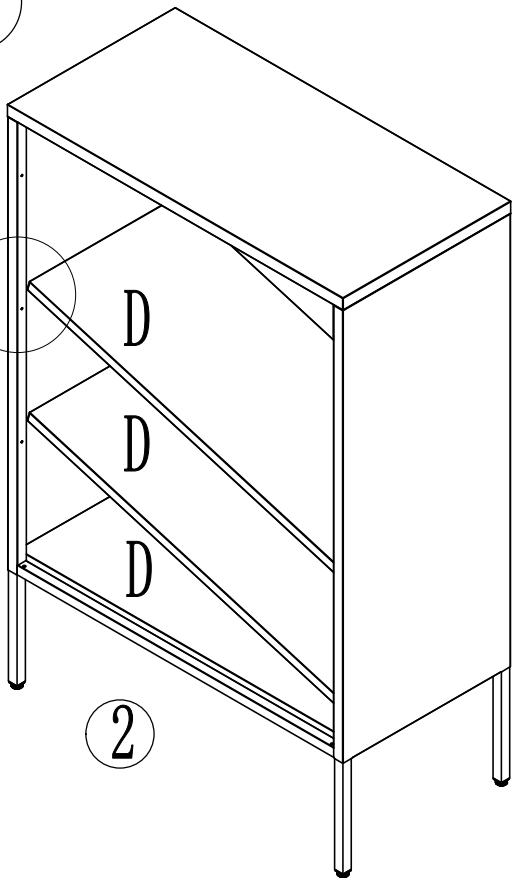
B

B

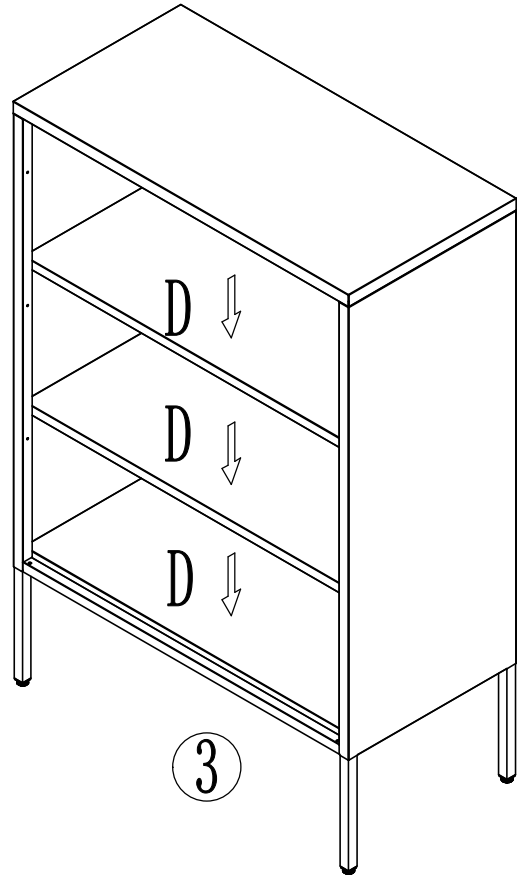
B



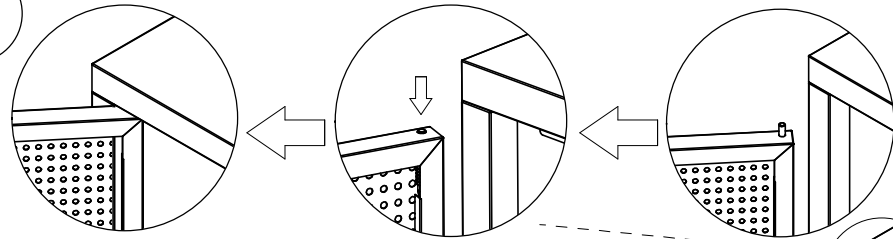
5



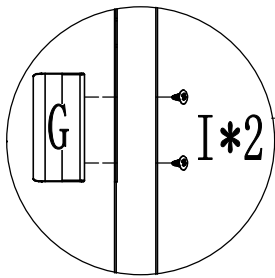
1



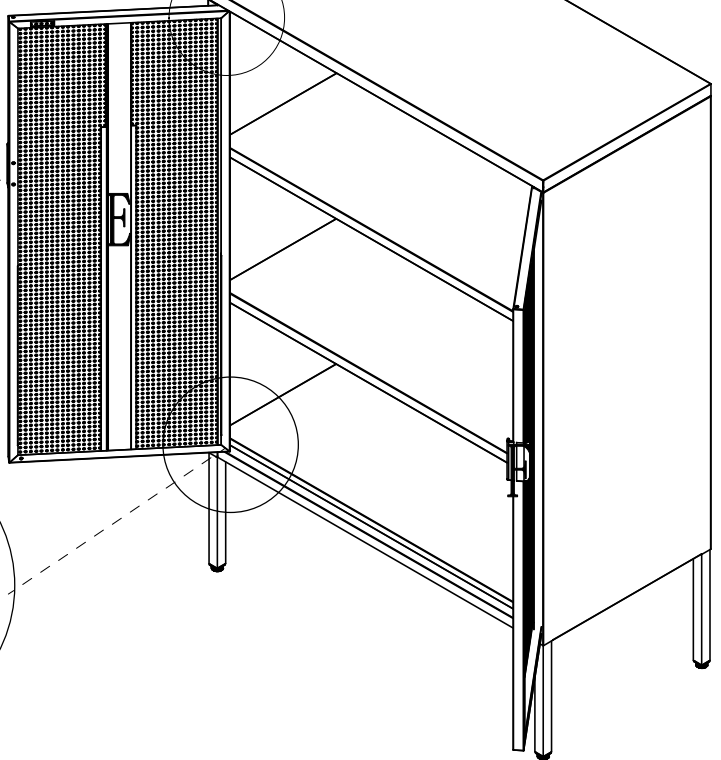
6



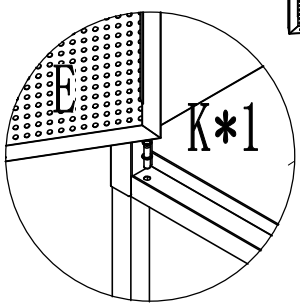
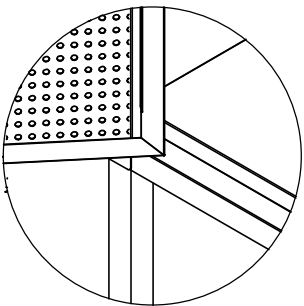
2



I*2



1



K*1

L