

ASSEMBLY INSTRUCTIONS

COFFEE TABLE

IMPORTANT NOTE :

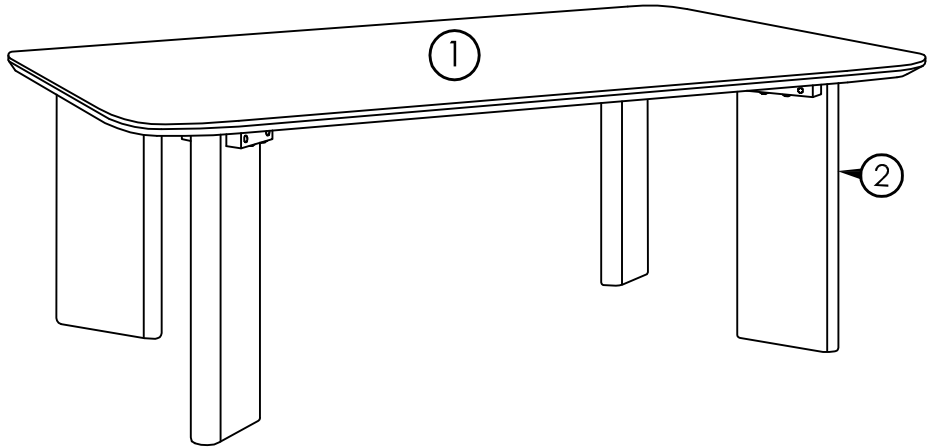
- * PLACE ALL WOODEN PARTS ON A CLEAN AND SMOOTH SURFACE SUCH AS A RUG OR CARPET TO AVOID THE PARTS FROM BEING SCRATCHED.
- * BEFORE YOU BEGIN, KINDLY FOLLOW THE ASSEMBLY INSTRUCTIONS STEP BY STEP.

HARDWARE LIST

A	JCBC M6 x 45mm + S/W M6 + F/W M6 x 19mm	16PCS
B	ALLEN KEY M4 (BALL SHAPE)	1PC

PART LIST

1	TABLE TOP	1PC
2	TABLE LEG	4PCS



COMPLETED COFFEE TABLE ASSEMBLY.

