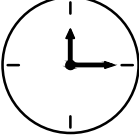
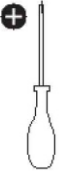



2 PERS.



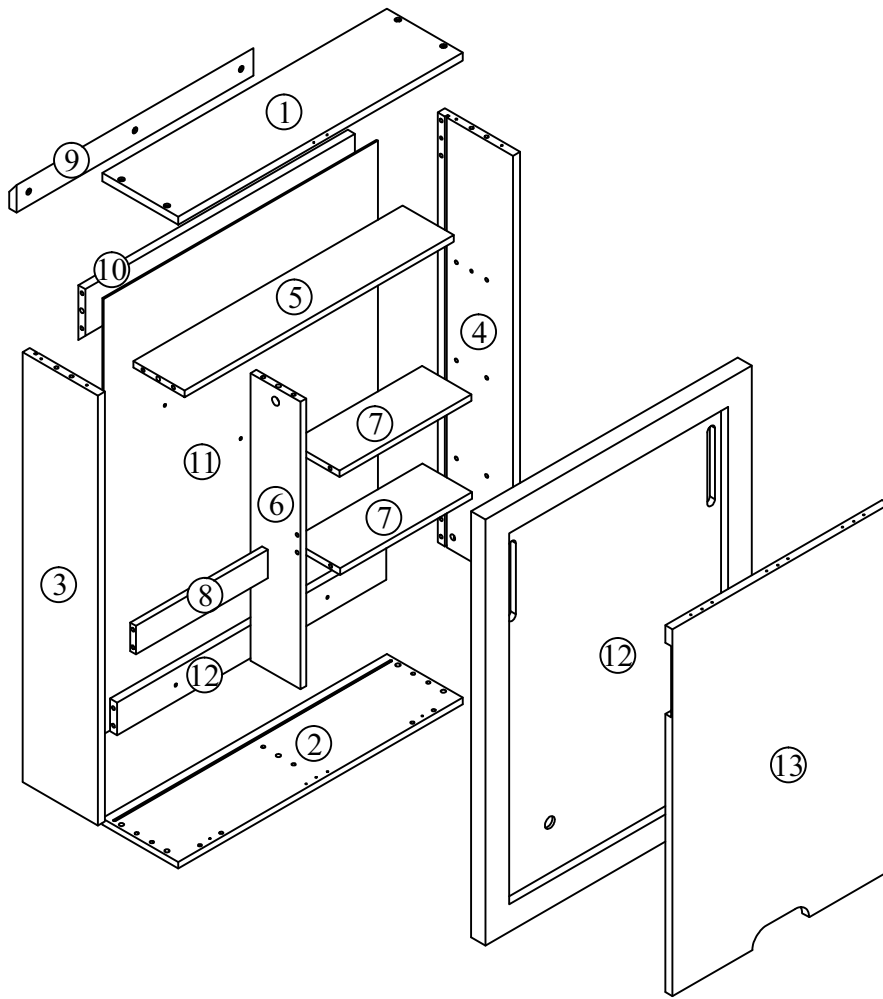
60 MIN

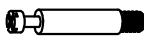




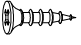



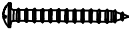
+



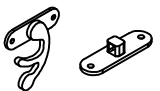

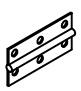





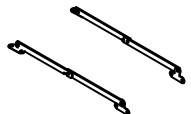

NOT INCLUDE



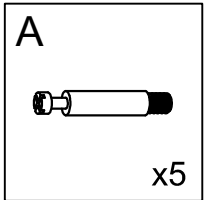
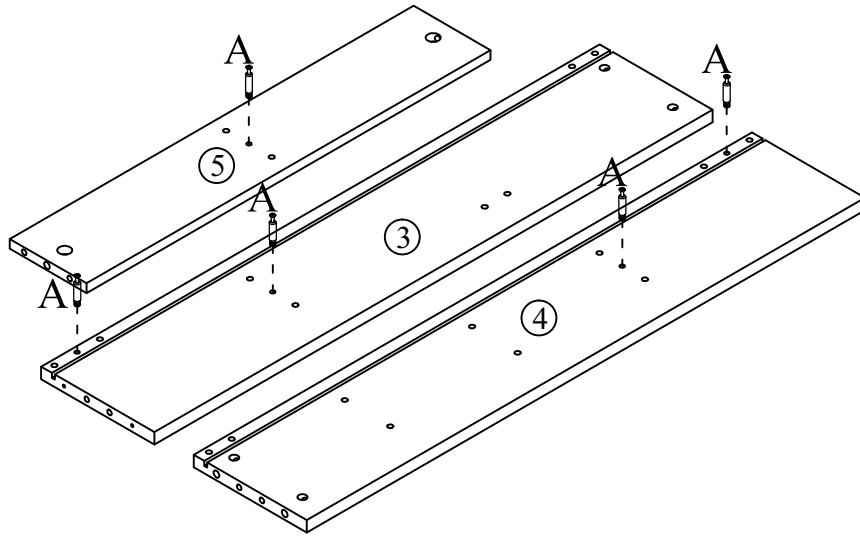
A	x 5	B	x 5	C	x 36
					
-		-		-	

D	x 31	E	x 5	F	x 5	G	x 4	H	x 9
									
-		-		-		-		-	

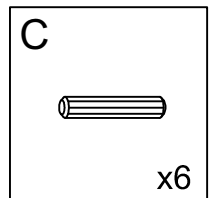
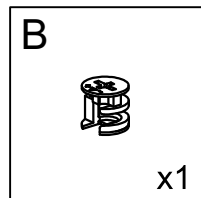
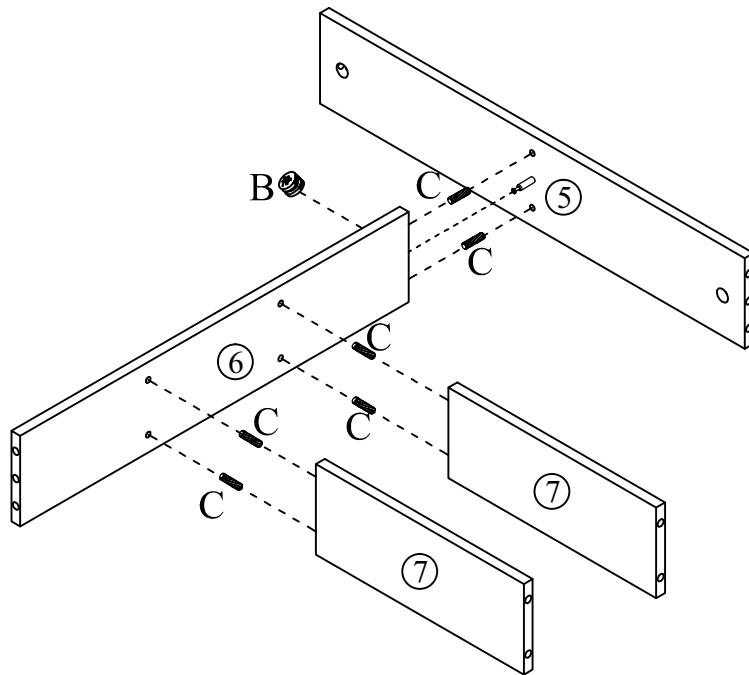
I	x 2	J	x 2	K	x 1	L	x 13	M	x 6
									
-		-		-		Φ3.5X14mm		-	

N	x 4	O	x 6	P	x 5	Q	x 1	R	x 8
									
-		-		-		-		-	

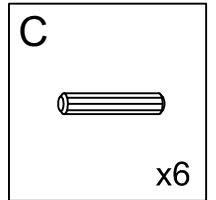
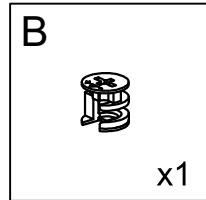
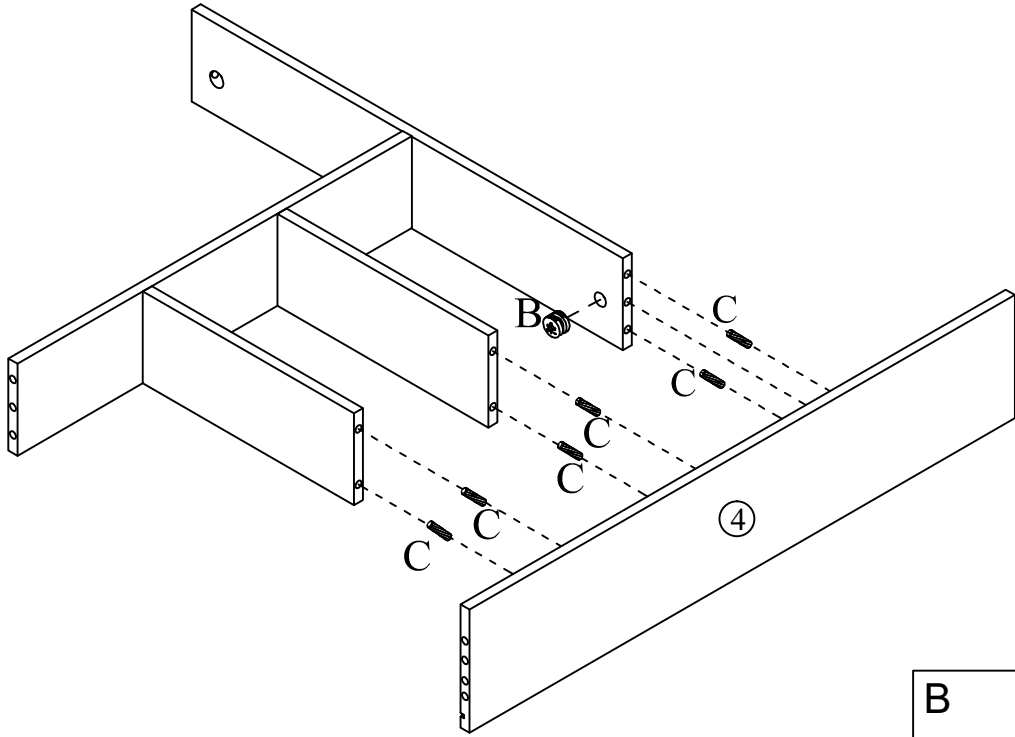
1



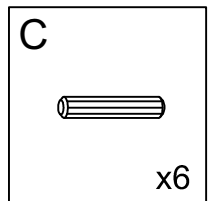
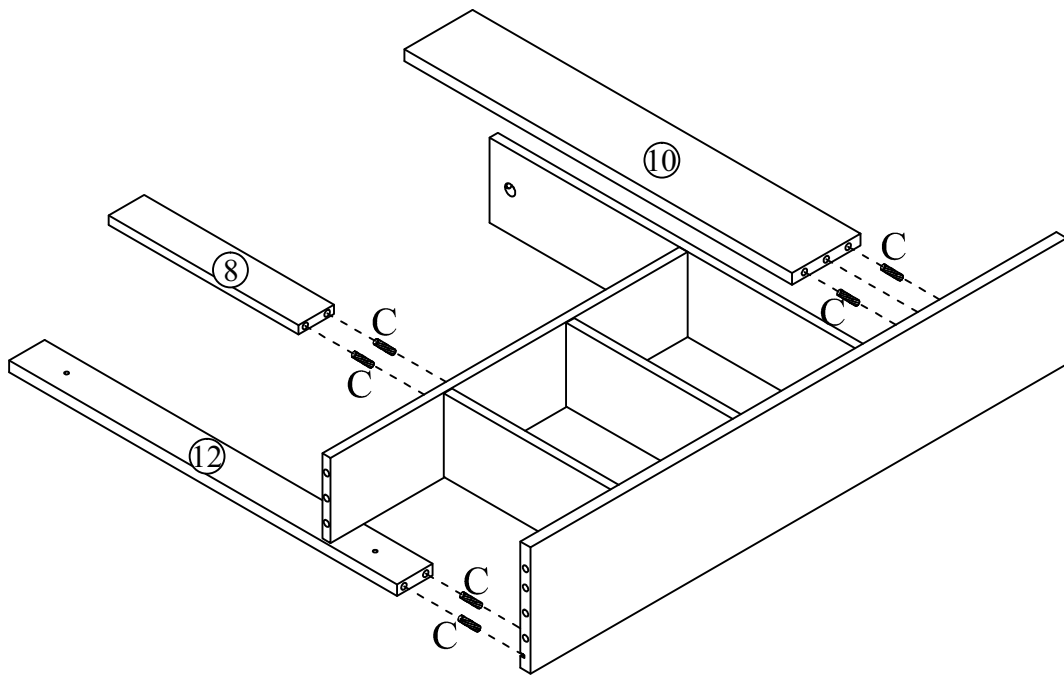
2



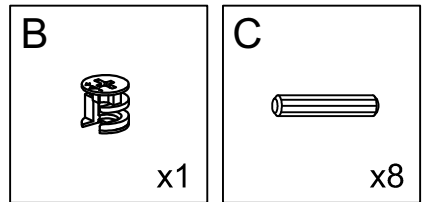
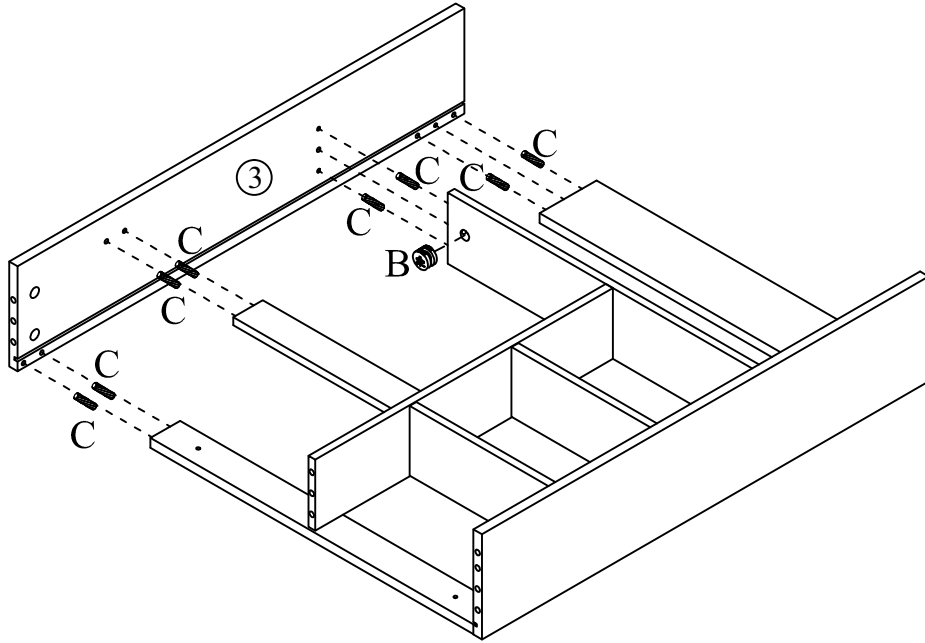
3



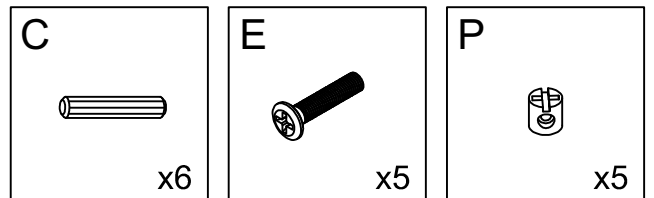
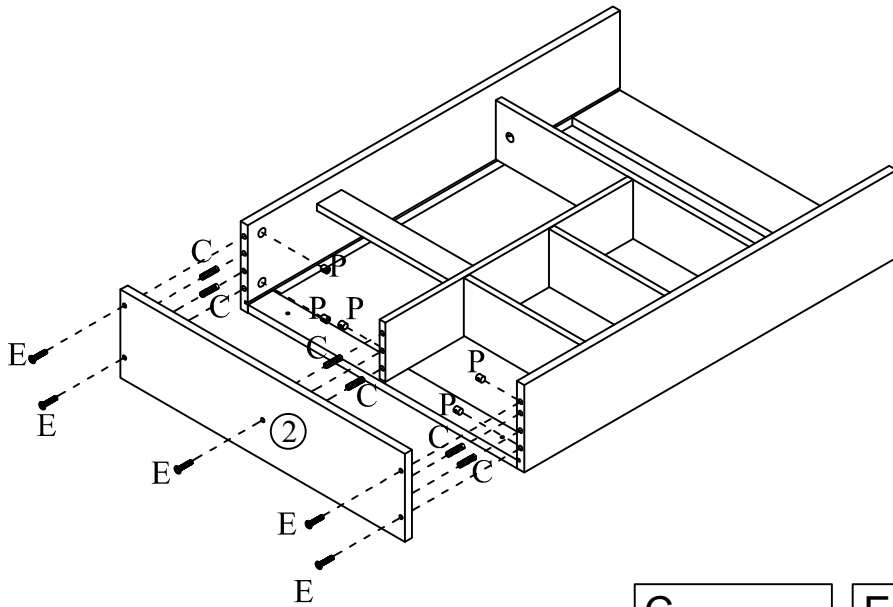
4



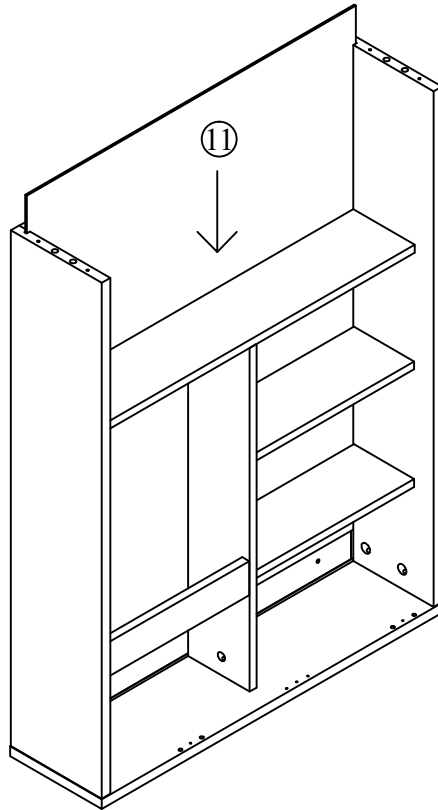
5



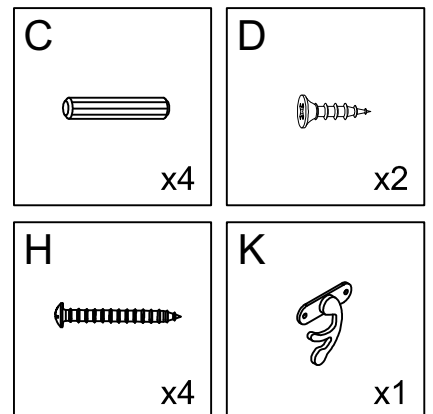
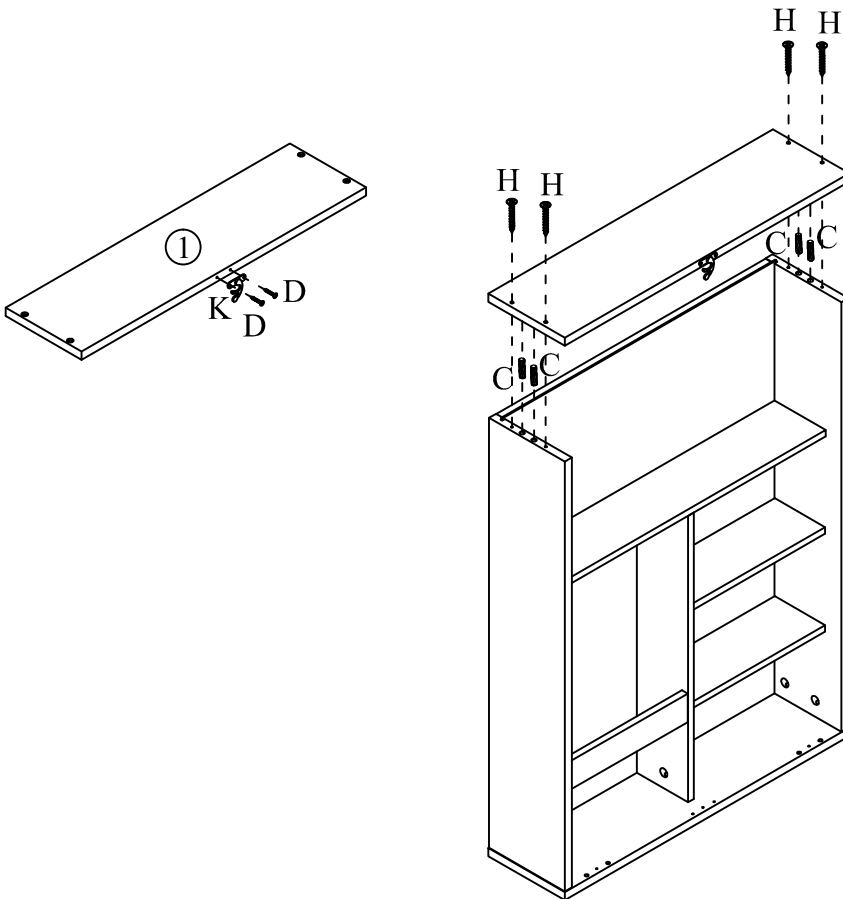
6



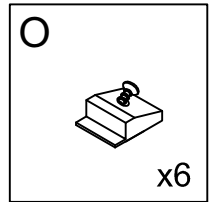
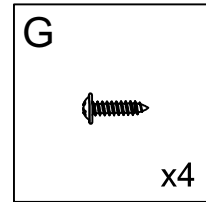
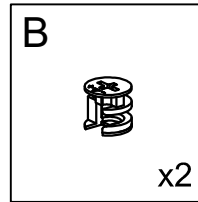
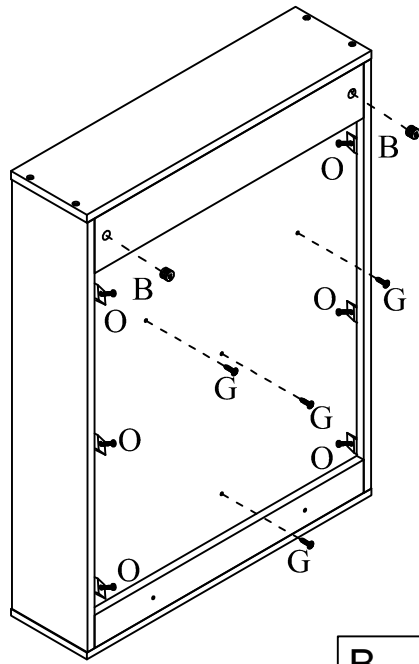
7



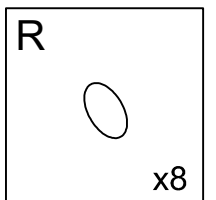
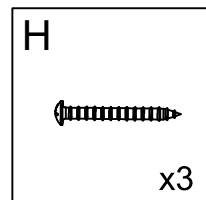
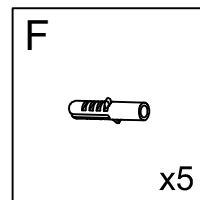
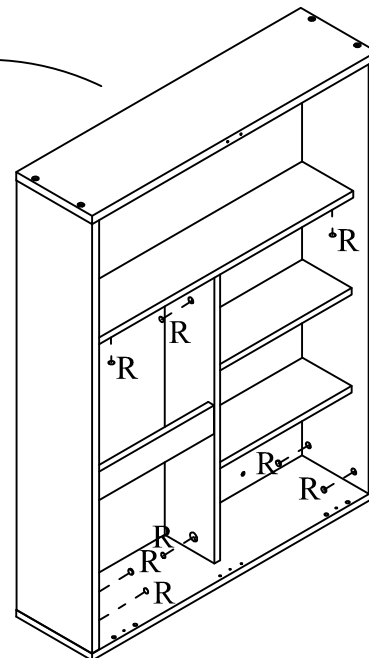
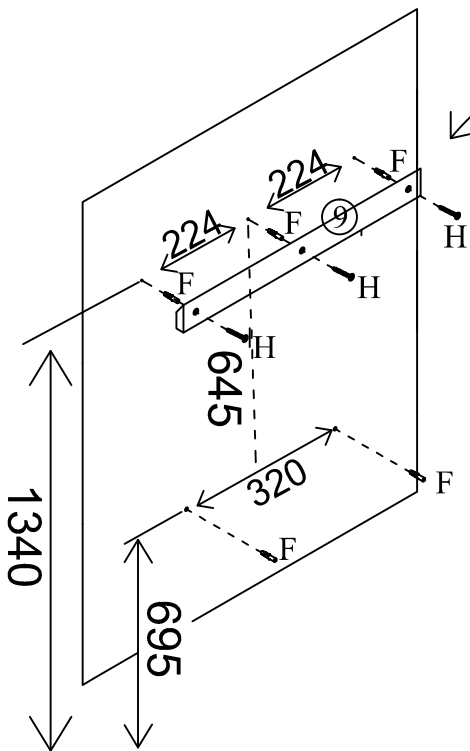
8



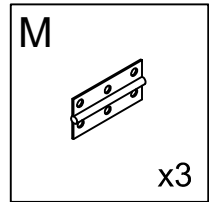
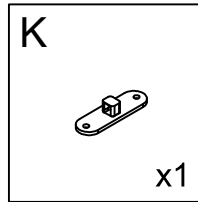
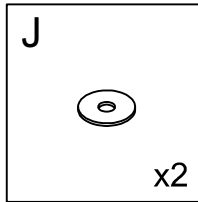
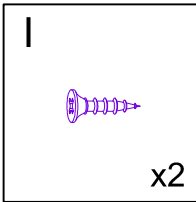
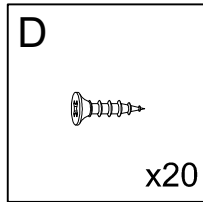
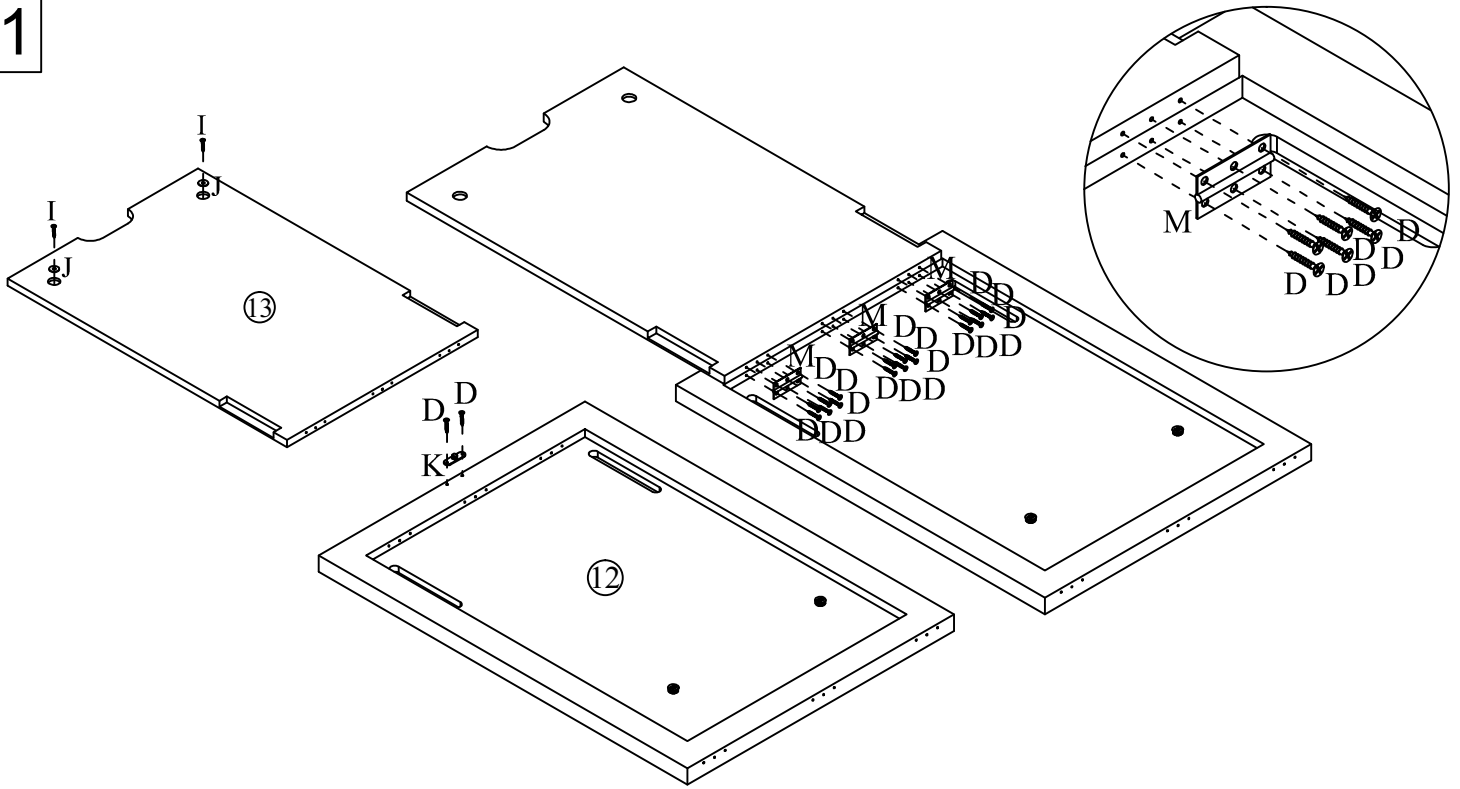
9



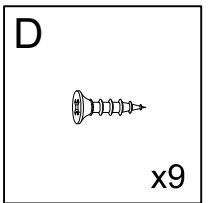
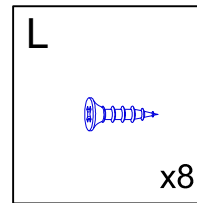
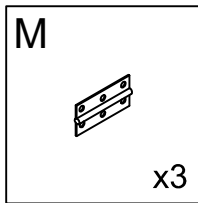
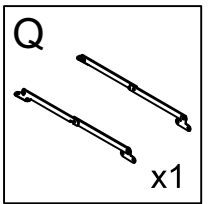
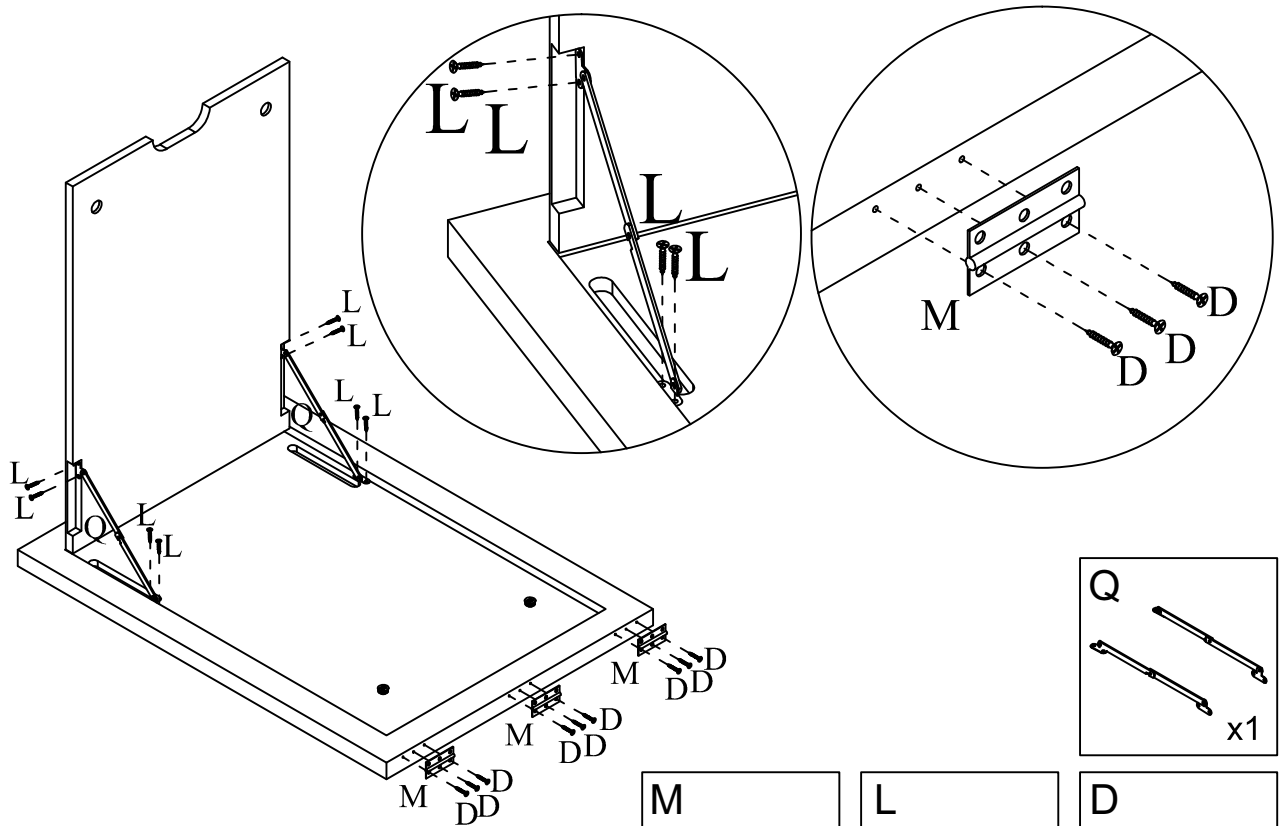
10



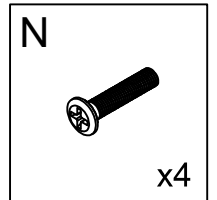
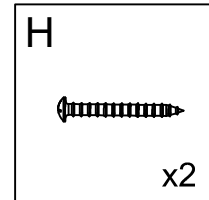
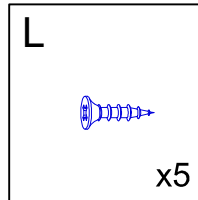
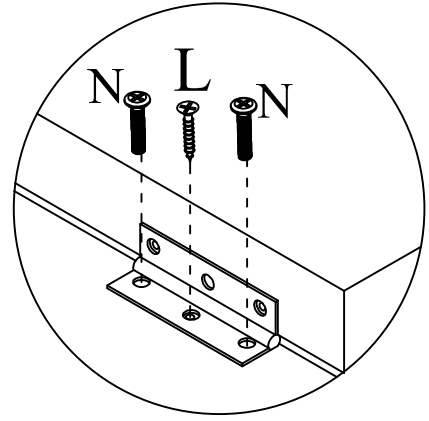
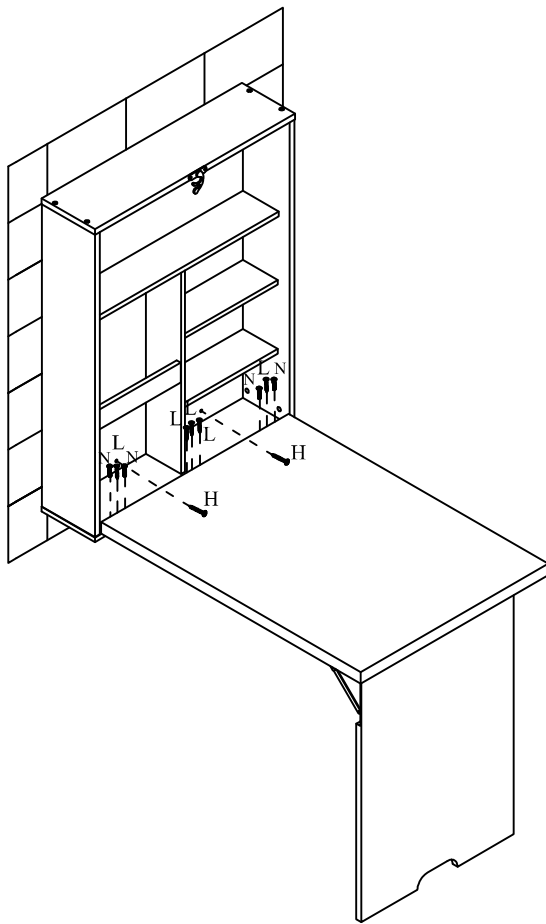
11



12



13



14

