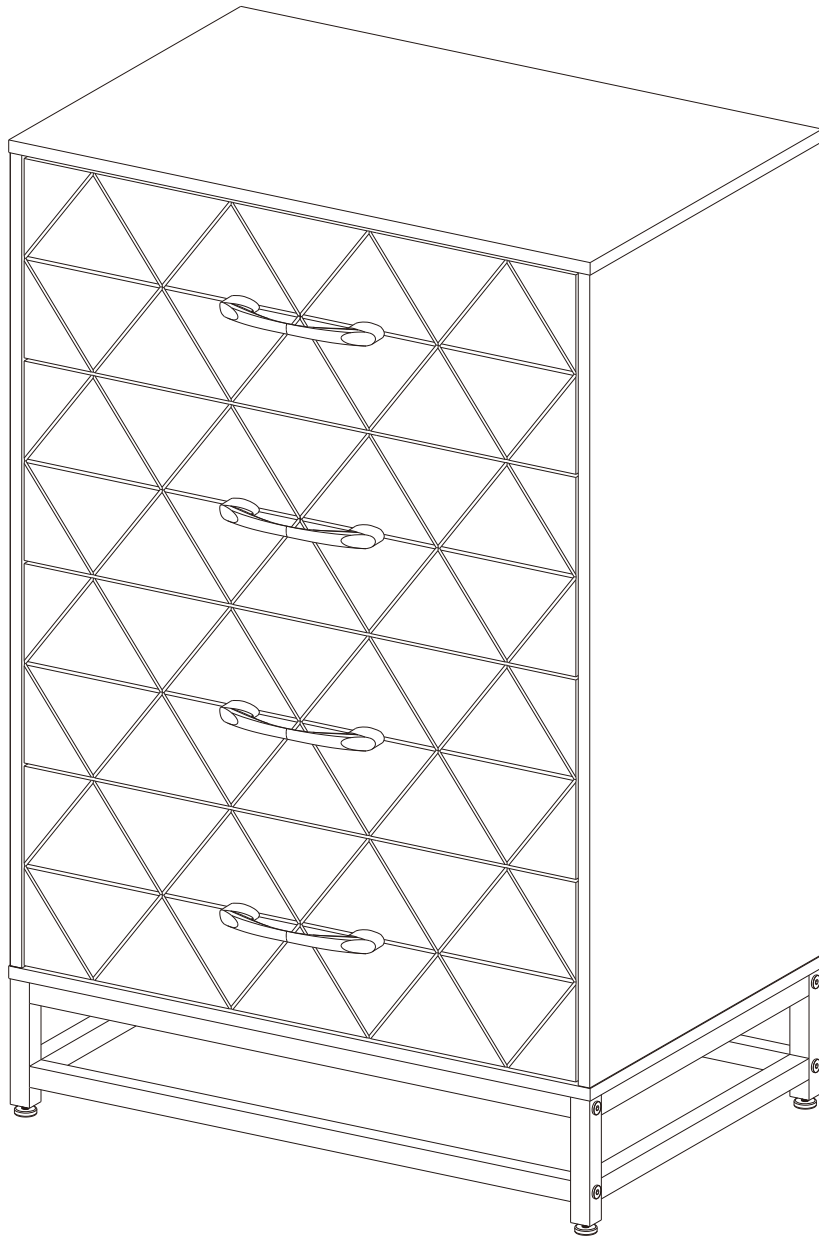
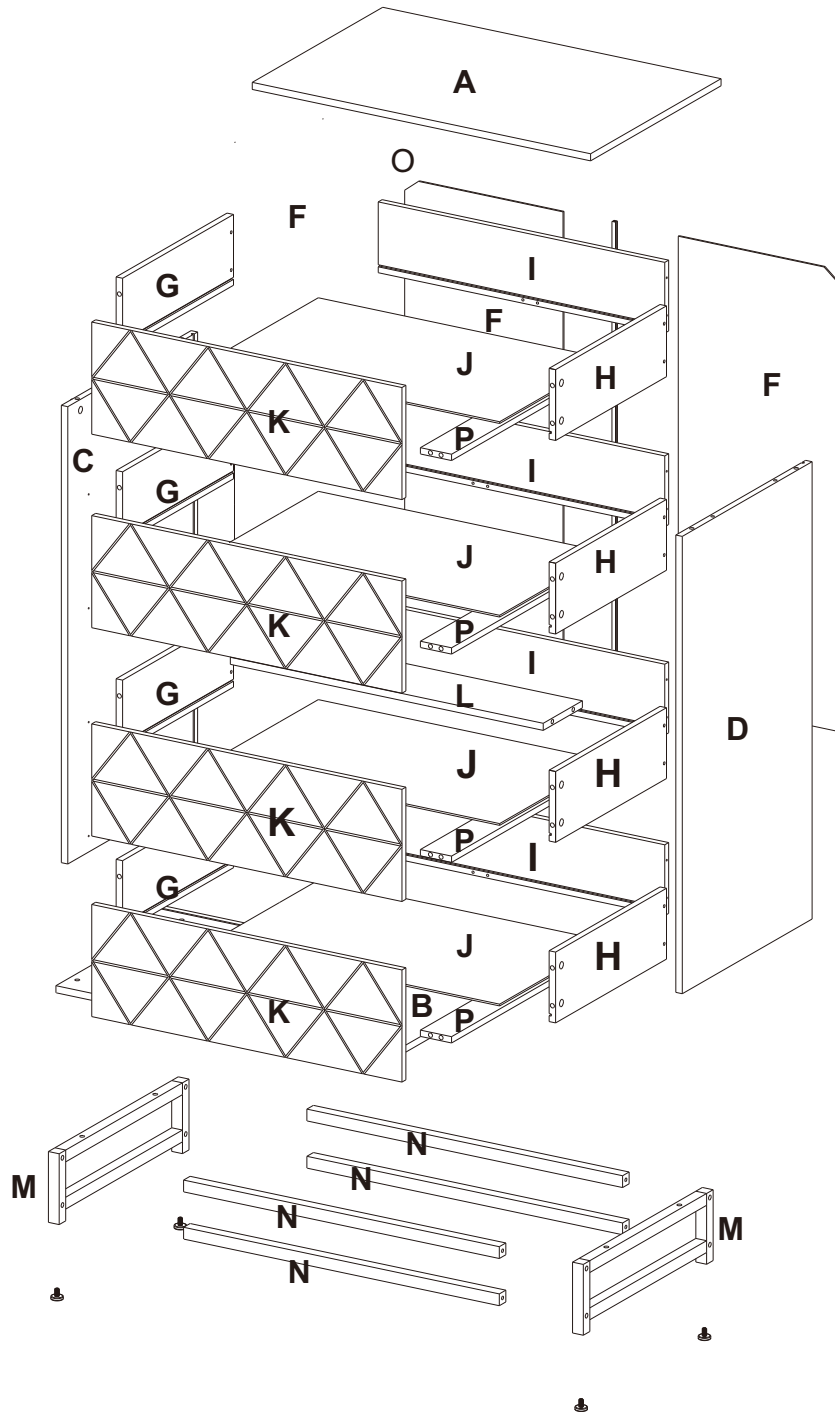


INSTALLATION INSTRUCTION

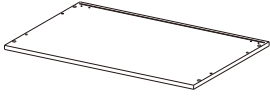
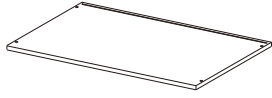



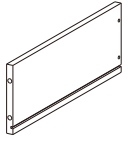
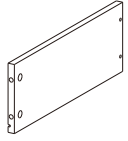
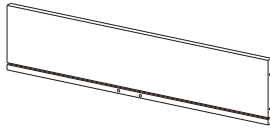

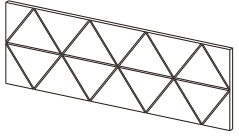

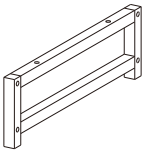


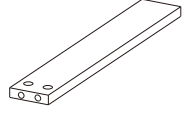


Thank you for purchasing our products. Please contact us if you have difficulty with assembly or need replacement parts. Our customer service is here to assist you. Please attach your User Name and Order ID so that we can assist you better. support@jojoka.net

BOARD IDENTIFICATION



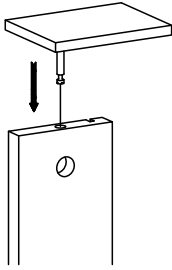
BOARD IDENTIFICATION

				
Ax1	Bx1	Cx1	Dx1	Fx2
				
Gx4	Hx4	Ix4	Jx4	Kx4
				
Lx1	Mx2	Nx4	Ox1	Px4

BOARD IDENTIFICATION

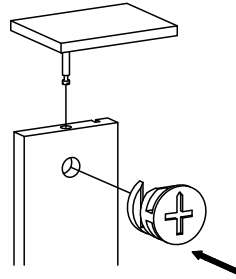
Installation of Eccentric Wheel Nut Set

1



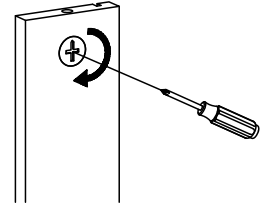
Screw the end of cambolt on the board, find the corresponding board and insert the other end.

2

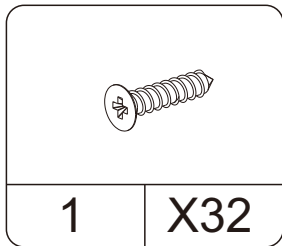


Stuff the camlock into the round hole. The arrowpoints to the cambolt.

3

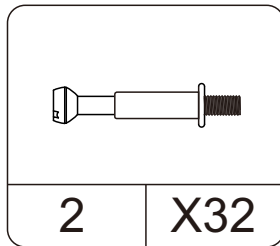


Turn clockwise about 180° to lock the plate.



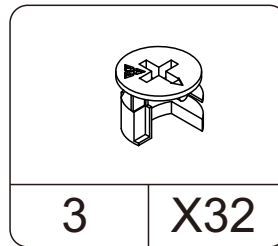
1 X32

Screws
M4X10



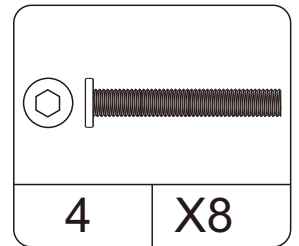
2 X32

Cam bolt
Ø6X18



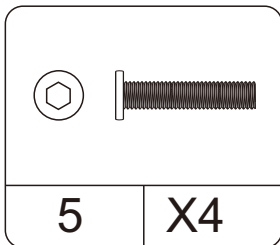
3 X32

Cam lock
Ø 12X10



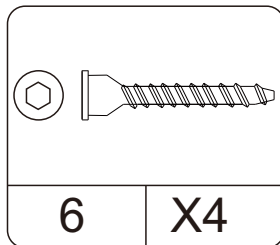
4 X8

Screws
M6x35



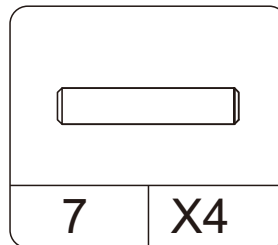
5 X4

Screws
M6x28



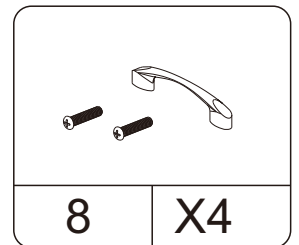
6 X4

Screws
M6.3x50

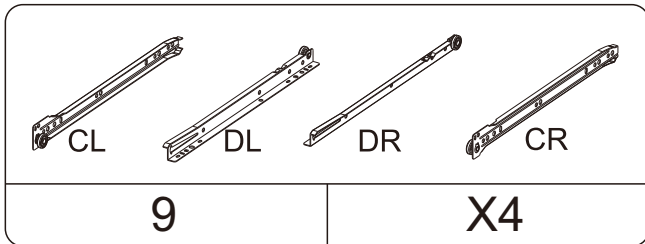


7 X4

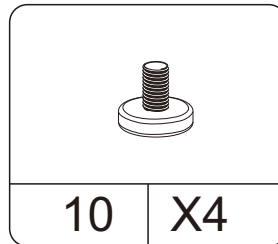
Wood dowel
Ø6X30



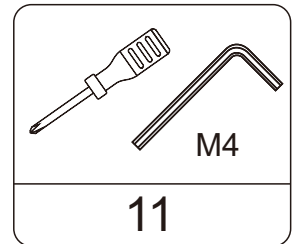
8 X4



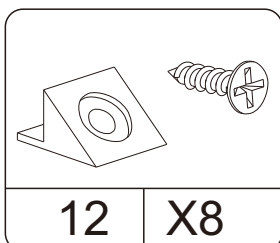
9 X4



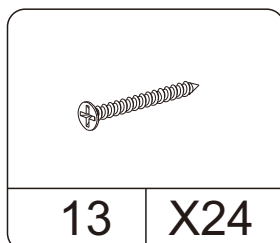
10 X4



11

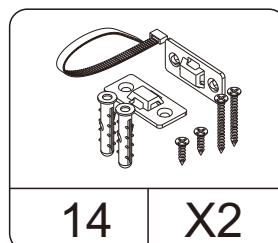


12 X8



13 X24

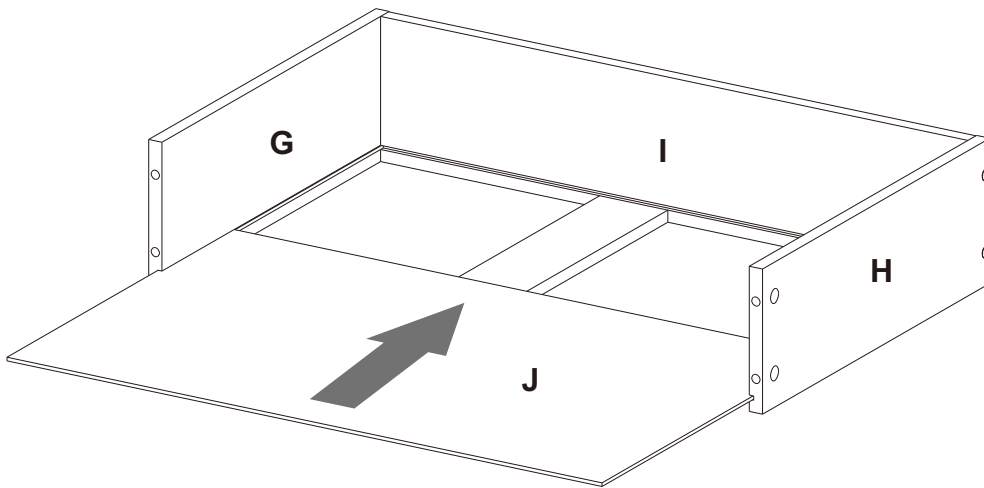
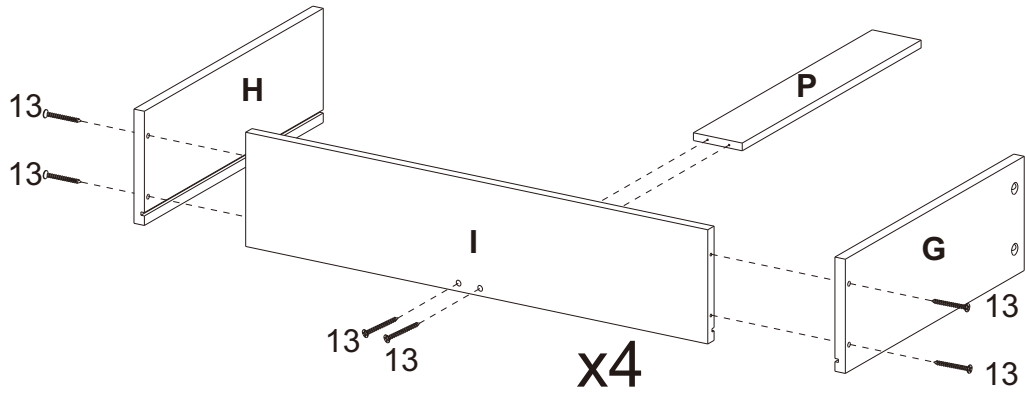
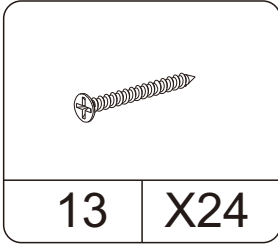
Screws
M4x30



14 X2

INSTALLATION STEPS

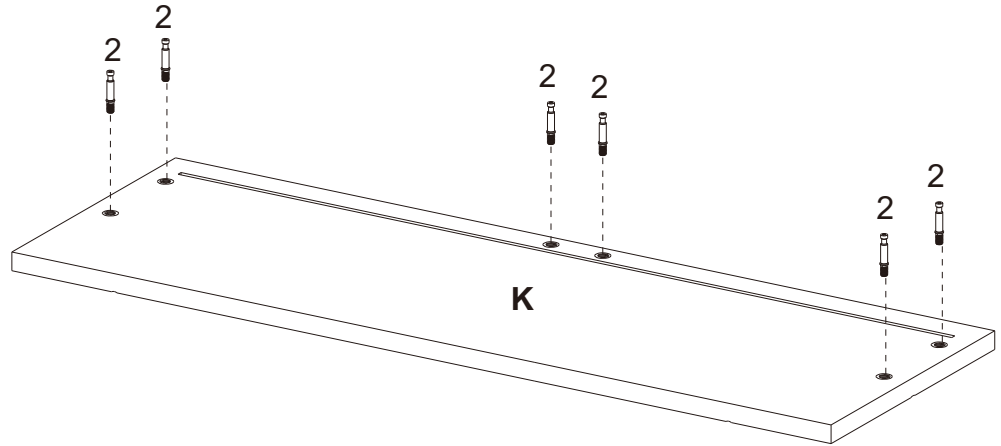
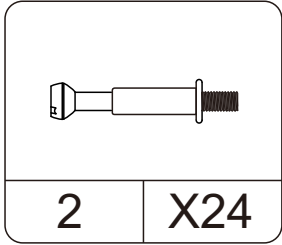
STEP1:



x4

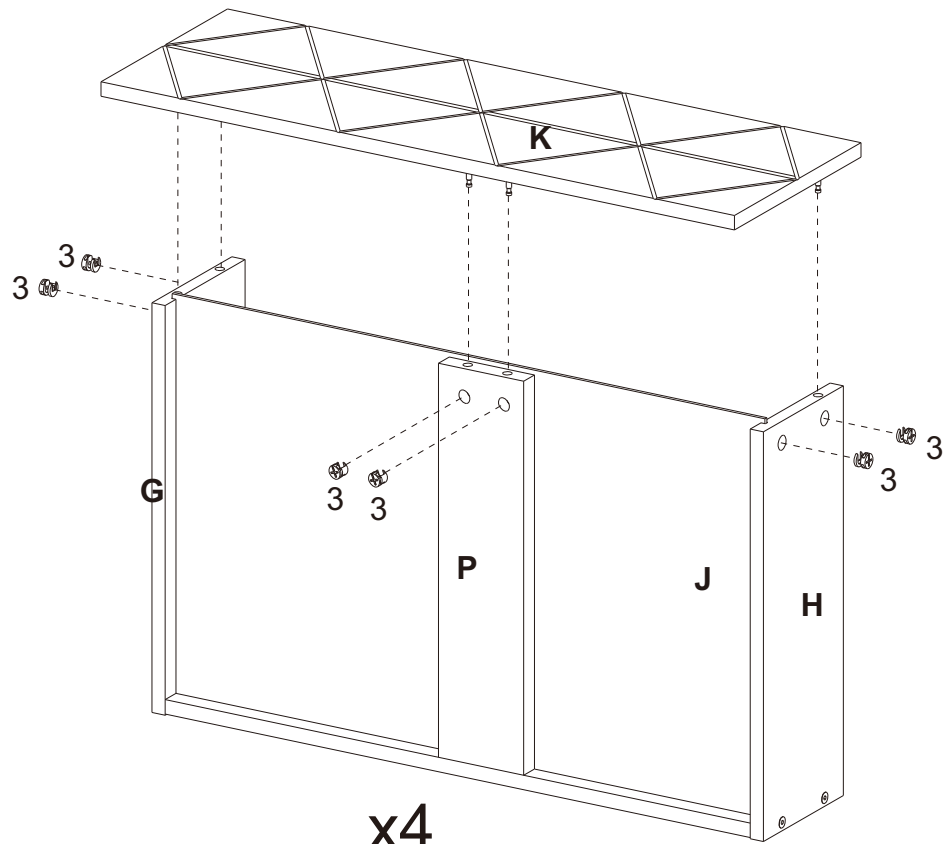
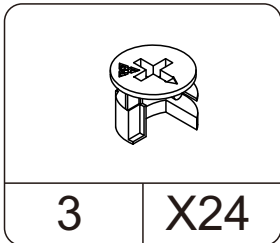
INSTALLATION STEPS

STEP3:



x4

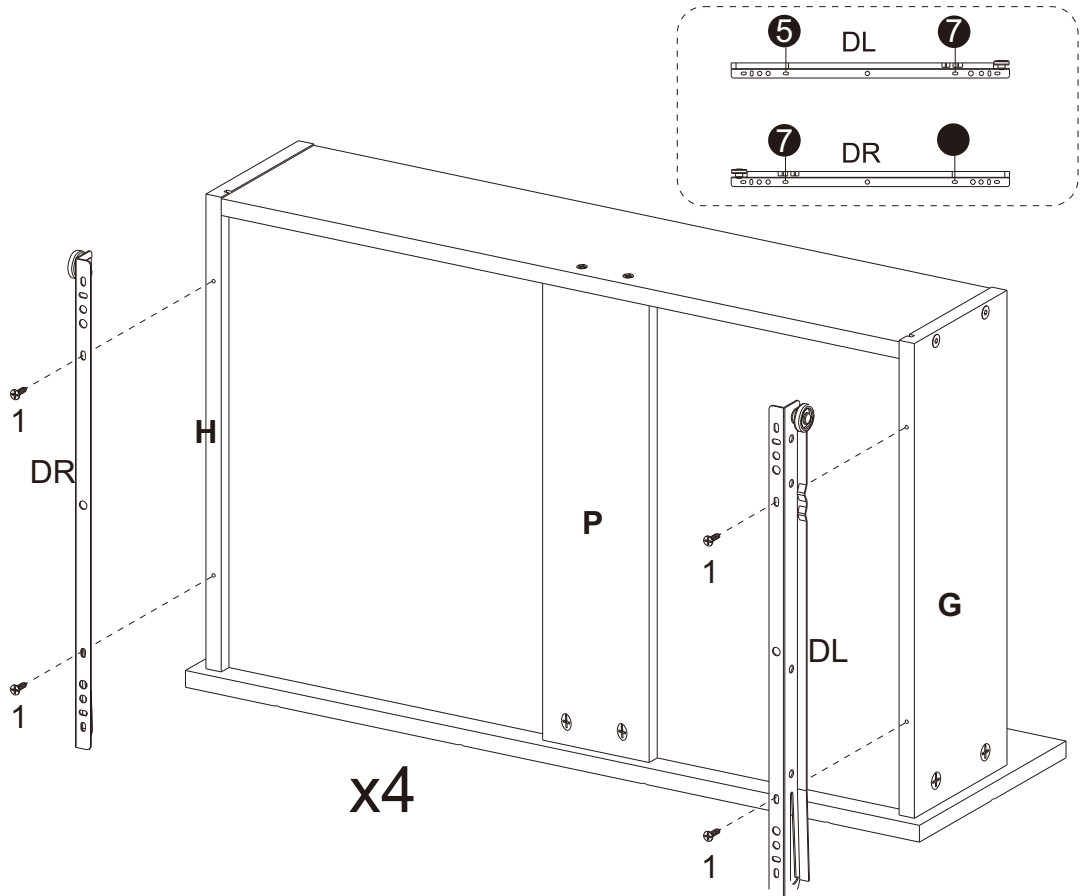
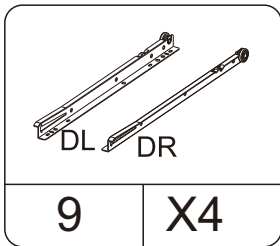
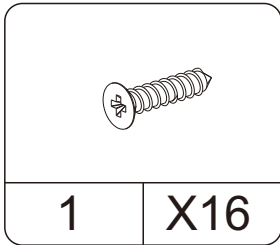
STEP4:



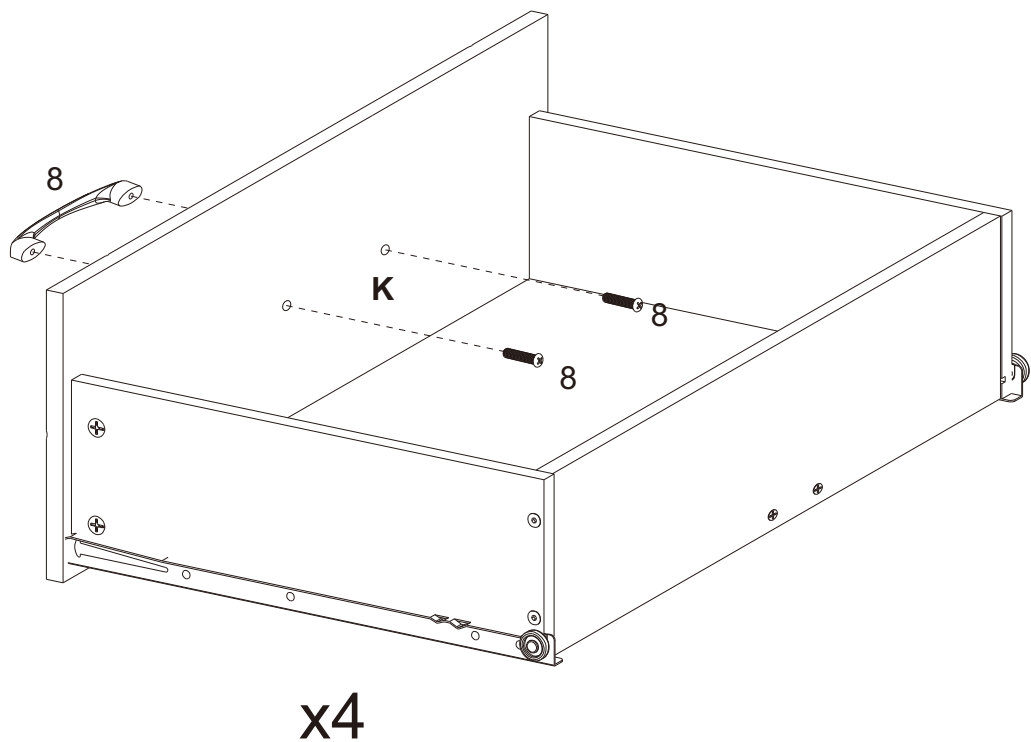
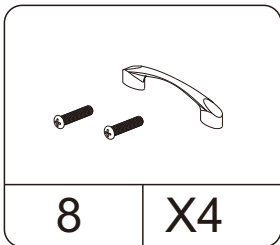
x4

INSTALLATION STEPS

STEP5:

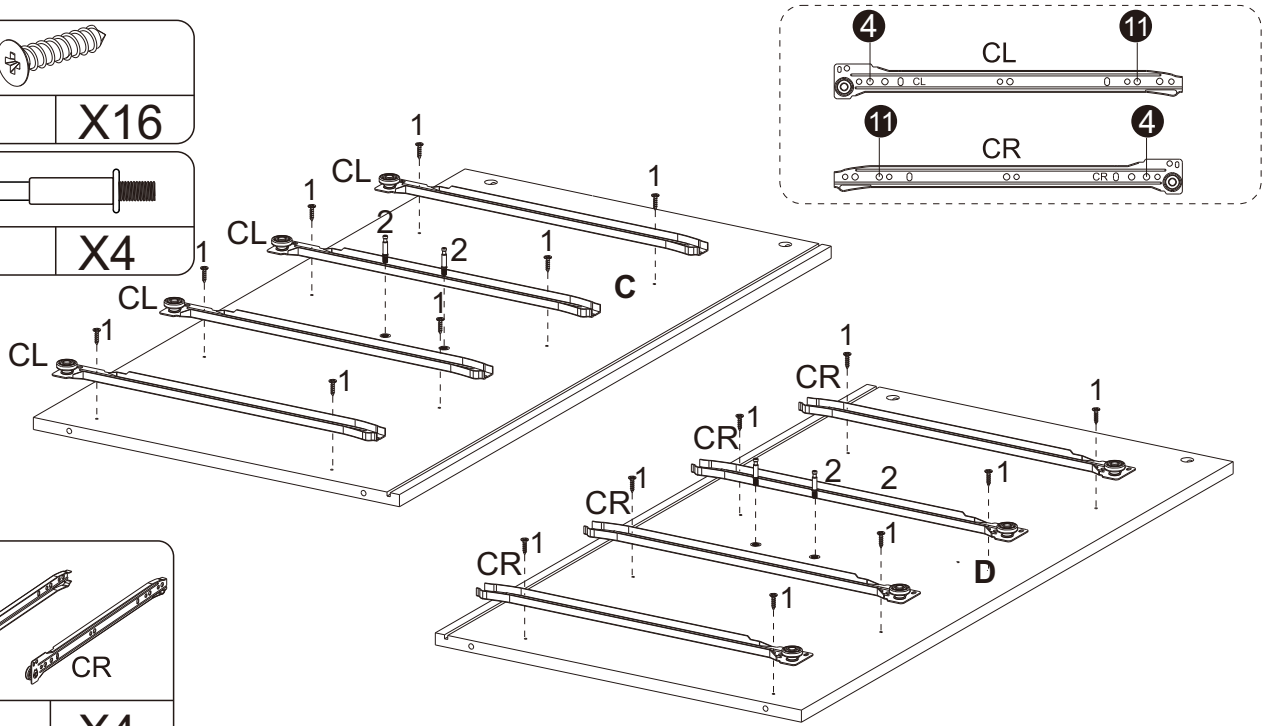
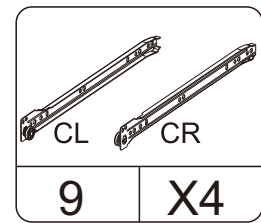
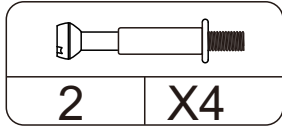
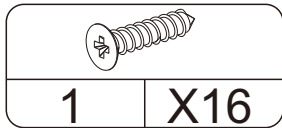


STEP6:

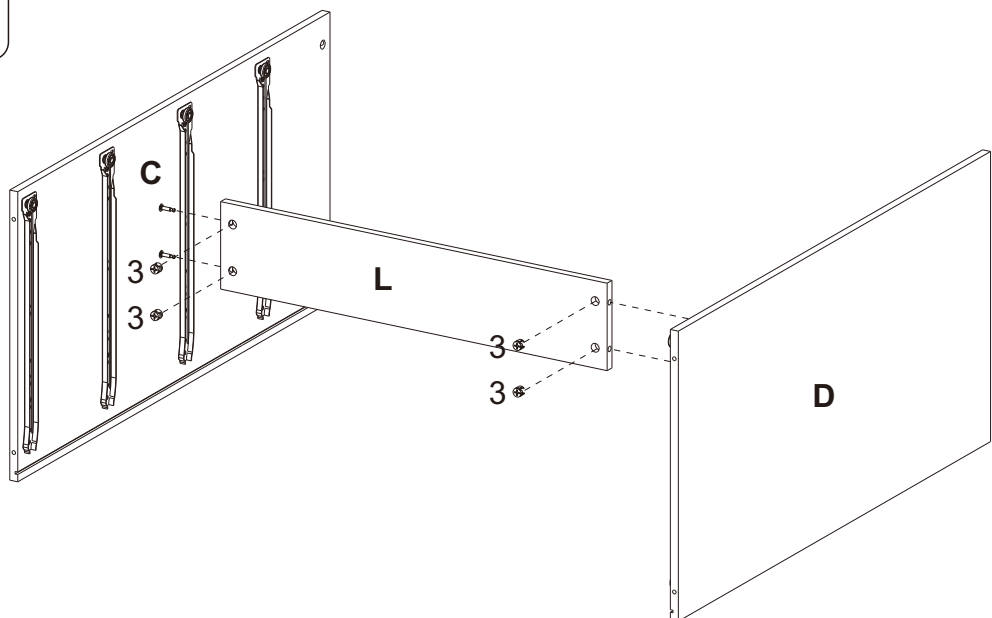
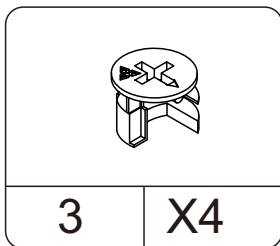


INSTALLATION STEPS

STEP7:

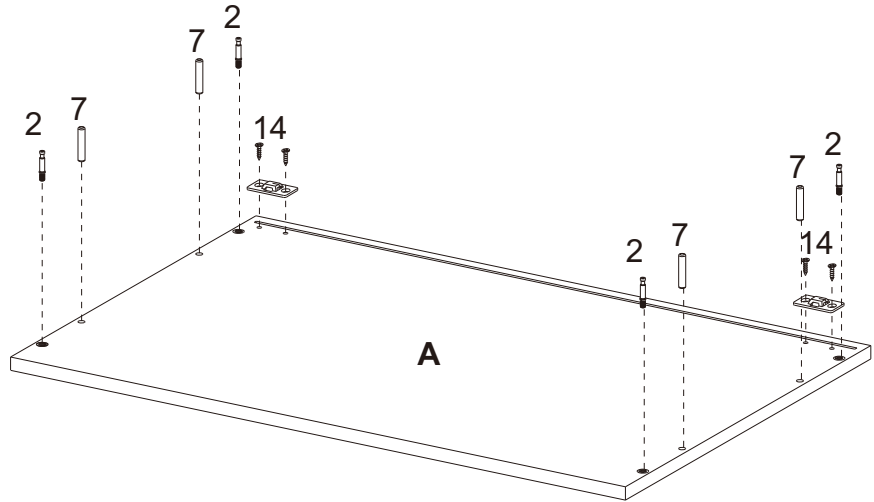
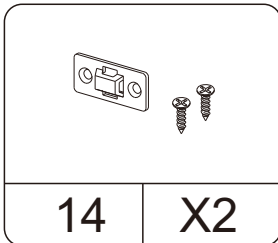
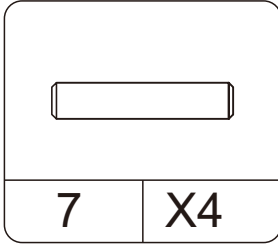
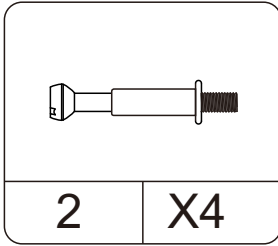


STEP8:

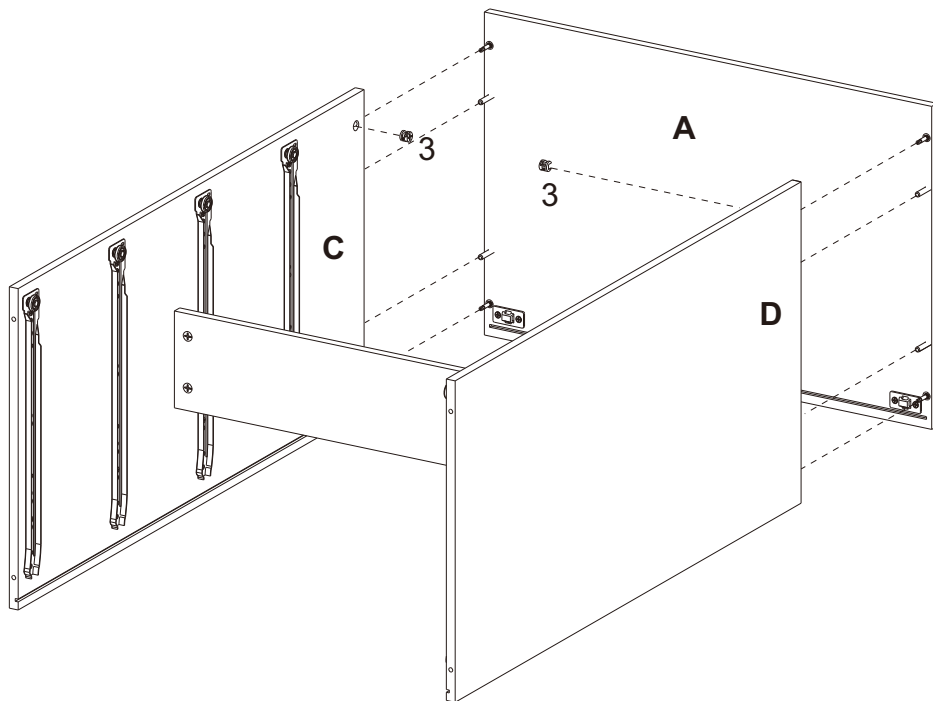
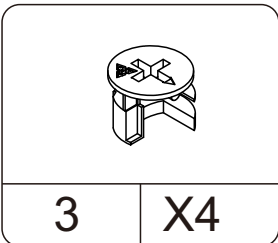


INSTALLATION STEPS

STEP9:

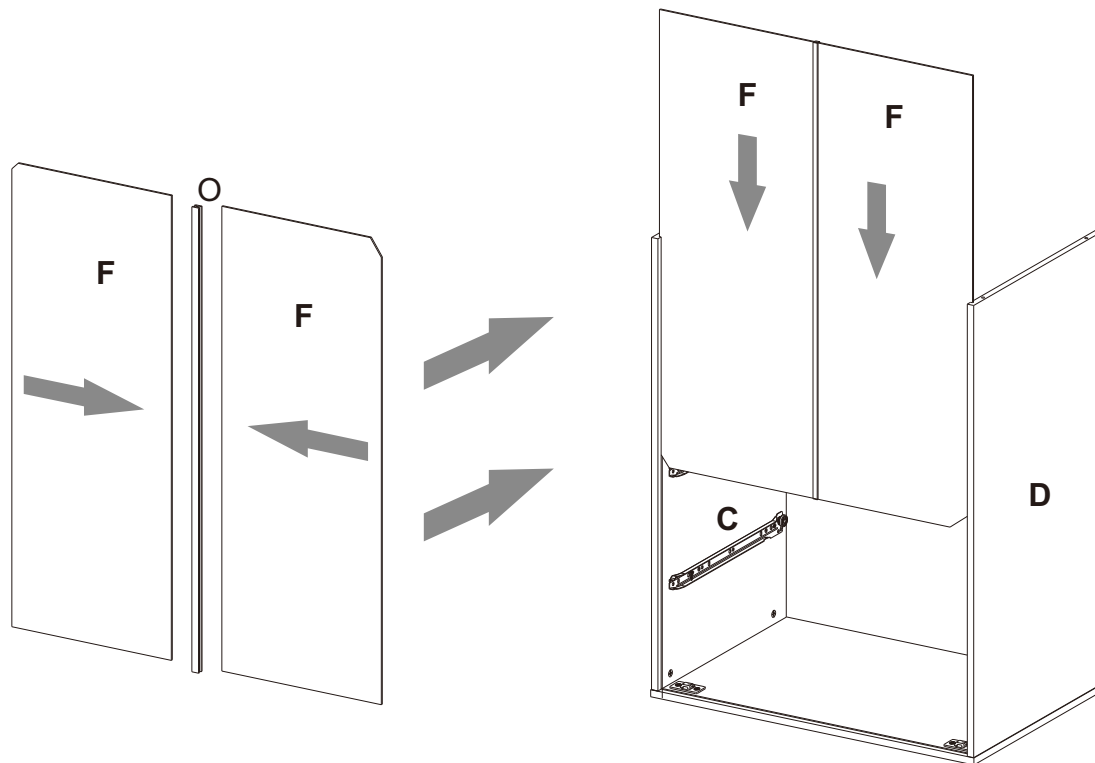


STEP10:

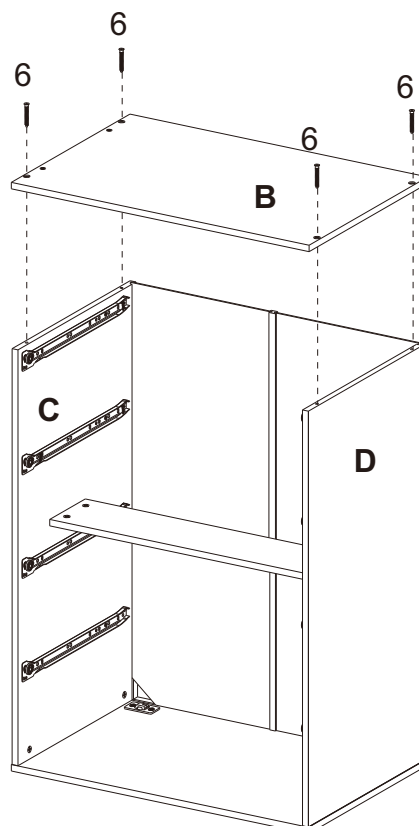
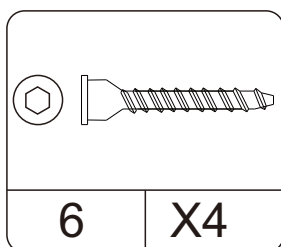


INSTALLATION STEPS

STEP11:

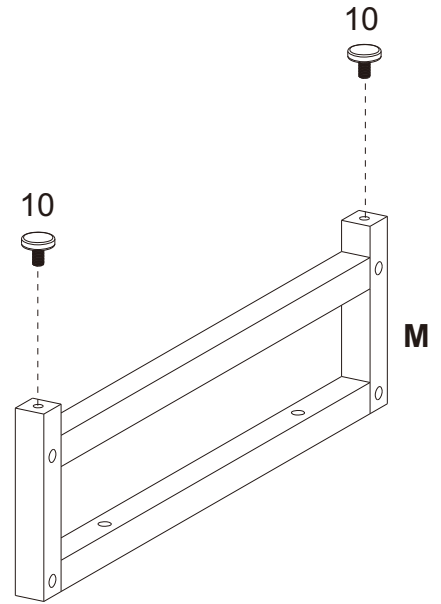
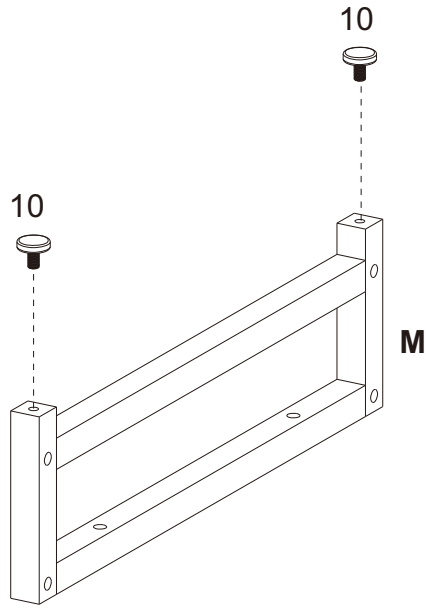
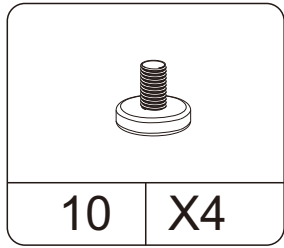


STEP12:

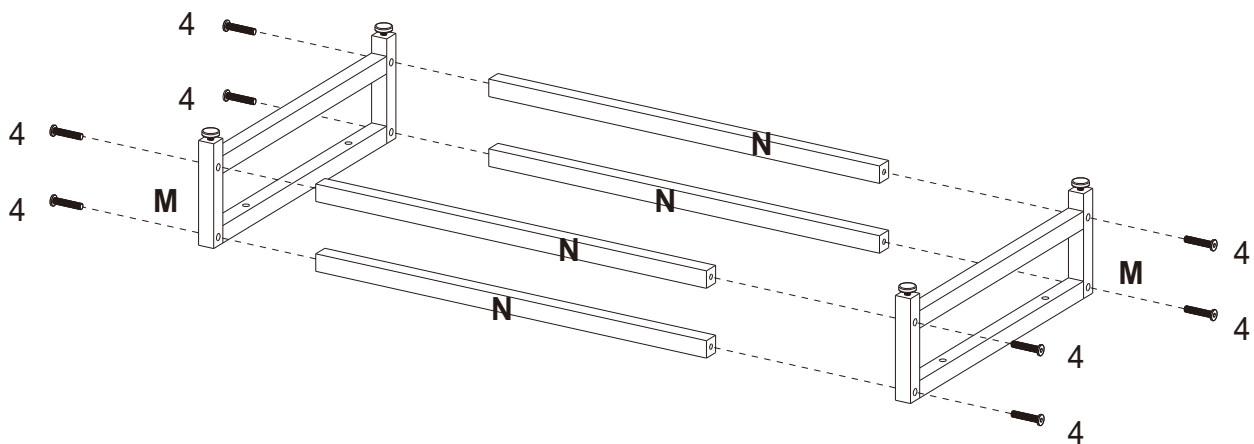
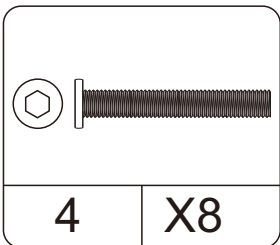


INSTALLATION STEPS

STEP13:

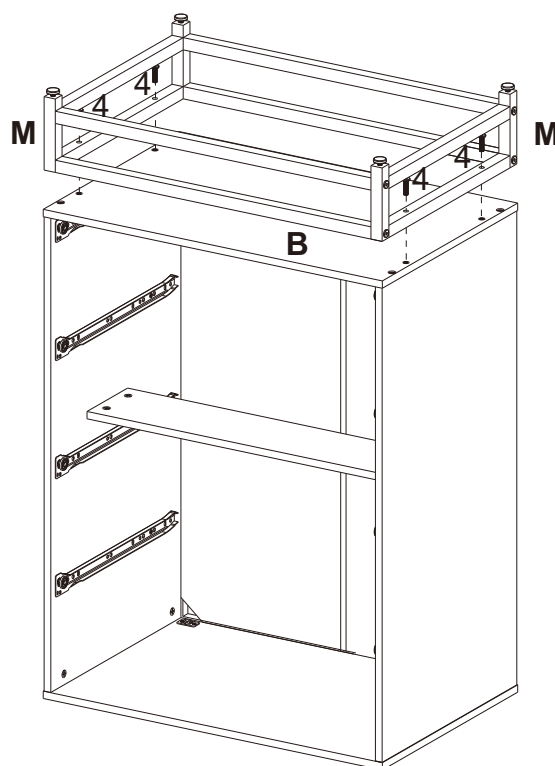
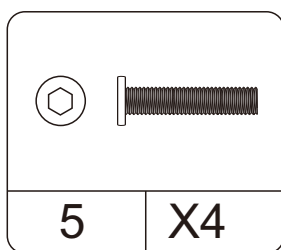


STEP14:

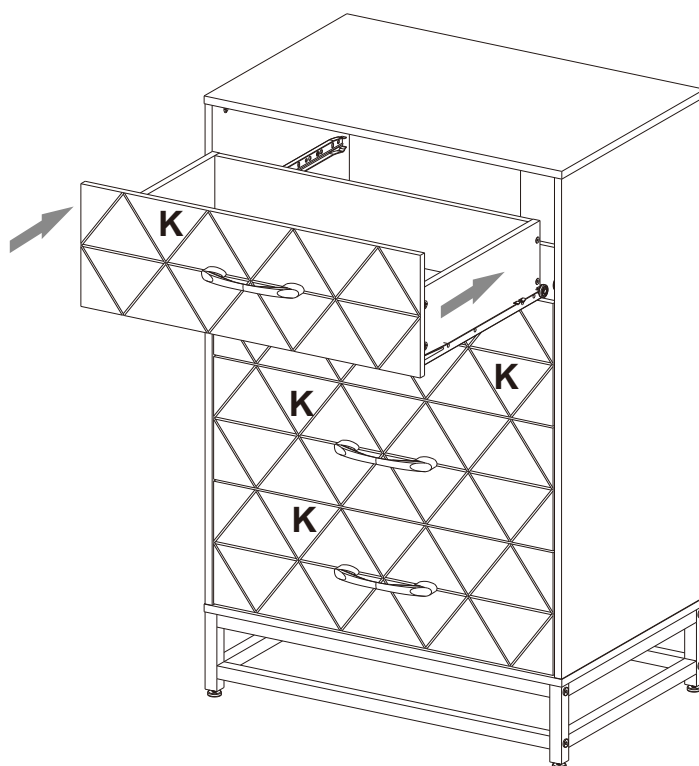


INSTALLATION STEPS

STEP15:

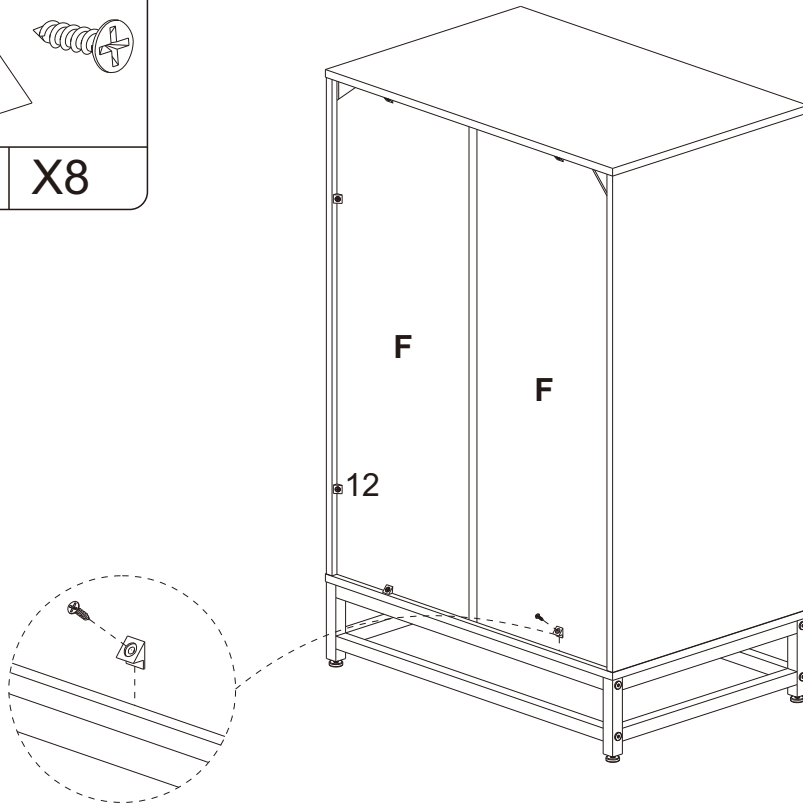
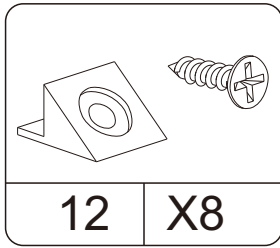


STEP16:

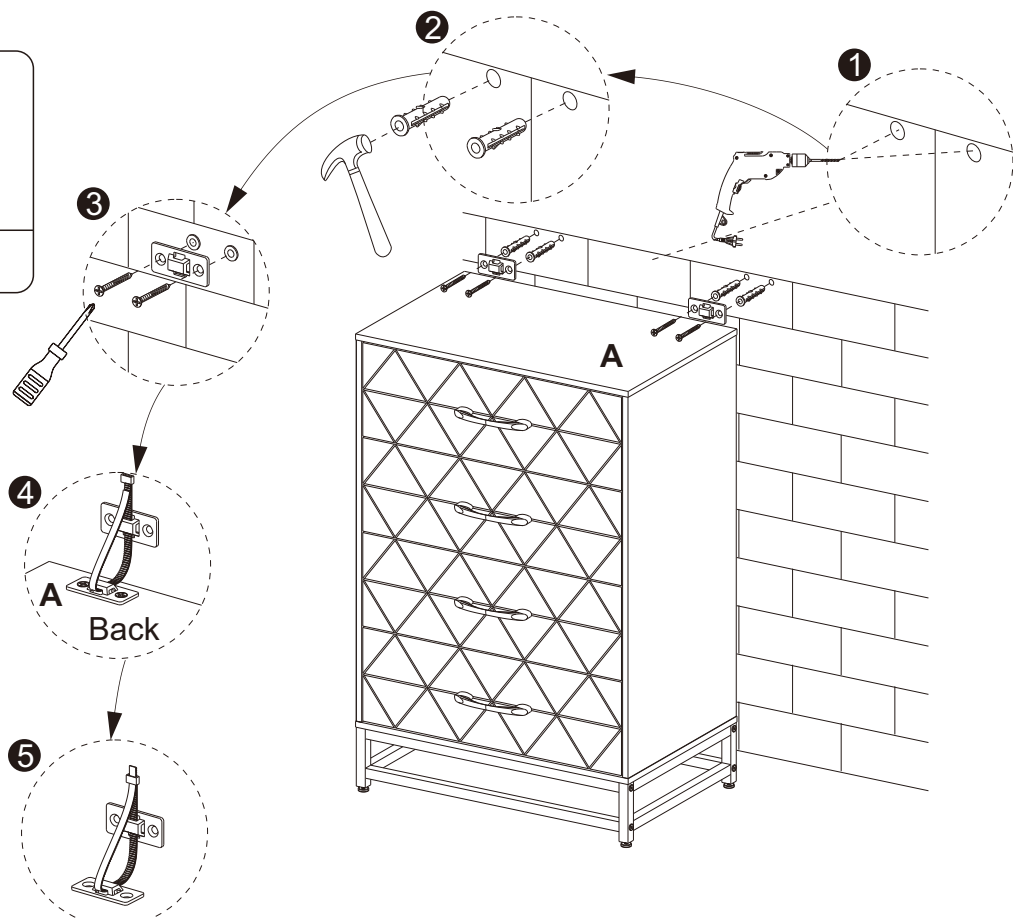
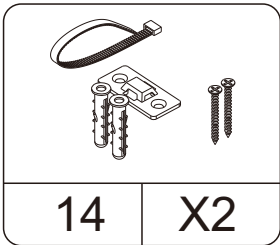


INSTALLATION STEPS

STEP17:

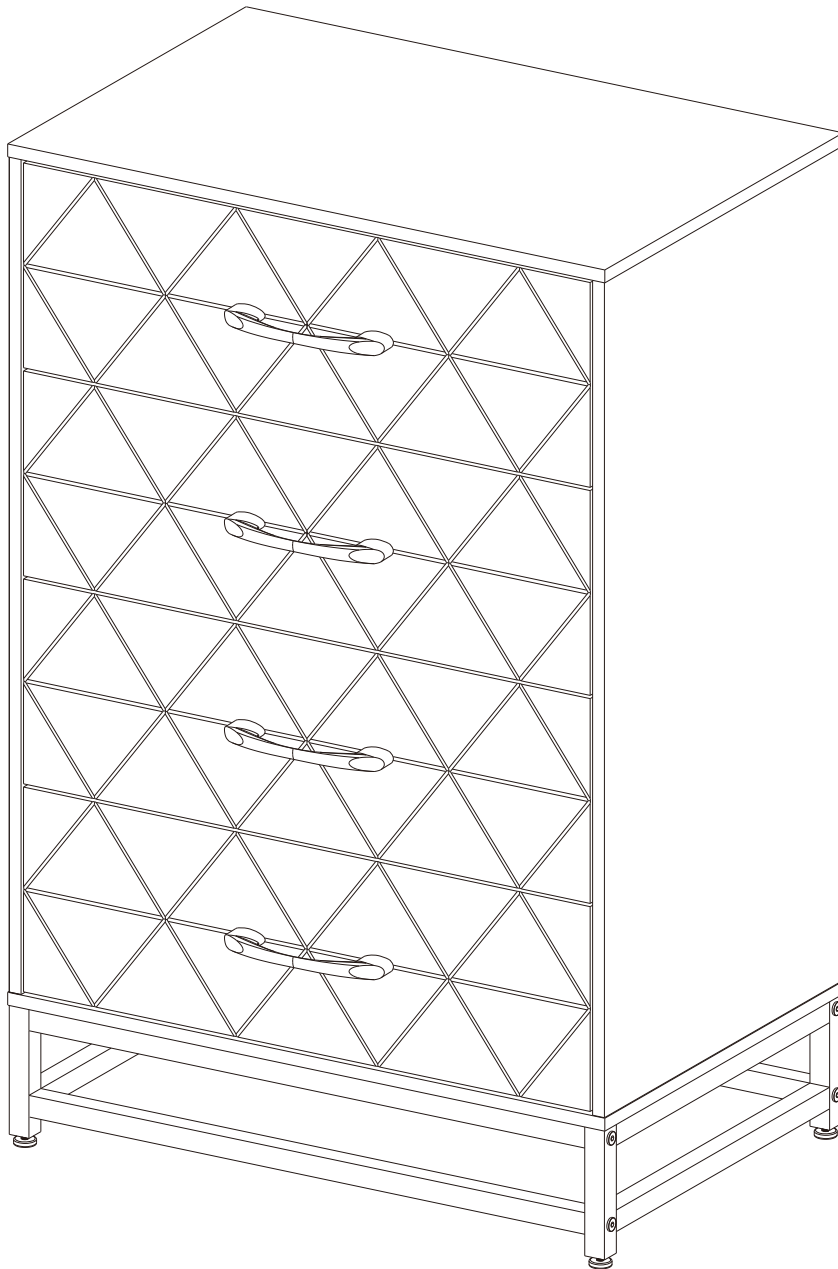


STEP18:



INSTALLATION STEPS

STEP19:



Thank you for purchasing our products. Please contact us if you have difficulty with assembly or need replacement parts. Our customer service is here to assist you. Please attach your User Name and Order ID so that we can assist you better.
support@jojoka.net