




ASSEMBLY INSTRUCTIONS FOR ACME FURNITURE




MODEL#24526

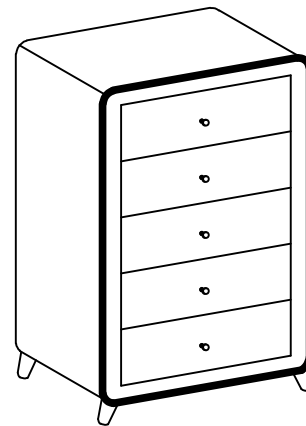
Thank you for purchasing the quality product. Be sure to check all packing material carefully for small parts which may have come loose inside the carton during shipment. Separate, identify and count all parts and metal hardware. Compare with all parts list to be sure all parts are present. If any parts(s) are missing or damaged, please contact your local furniture dealer. For efficient and speedy service, please indicate the model number and code letter or part(s) needed.

*****Do not fully tighten screws until fully assembled*****

	COMPONENT PART	
DESCRIPTION	PART NAME	QTY
①	Chest 	1pc
②	Legs 	4pcs
③	Handle (Was attached on the back of the drawer front) 	5pcs

HARDWARE REQUIRED

- Ⓐ  No 35 Washers - 4pcs
- Ⓑ  Anti-Tipping - 1pack
- Ⓒ  Handle Screw 35mm - 5pcs

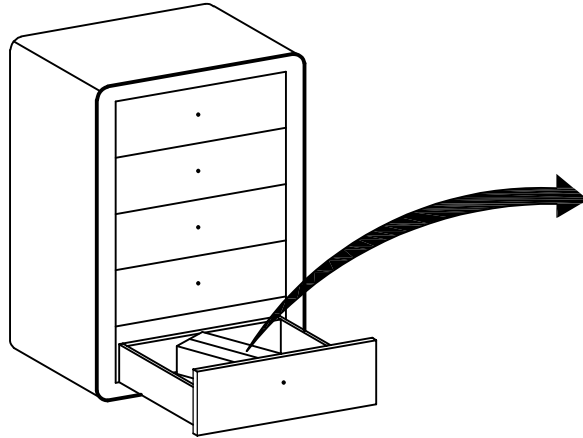


Attention:

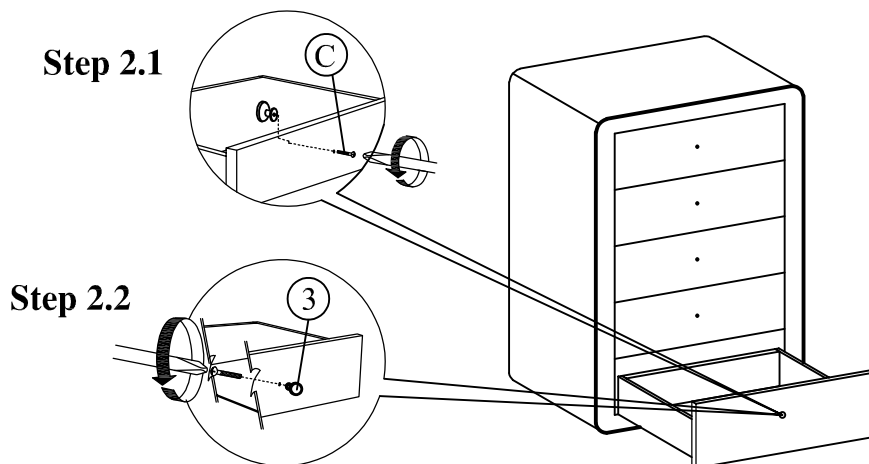
*** Some number parts listed on the instruction sheet may not be in parts bag as they may already be assembled. Carefully check parts and packing materials prior to ordering replacements.

How to assemble:

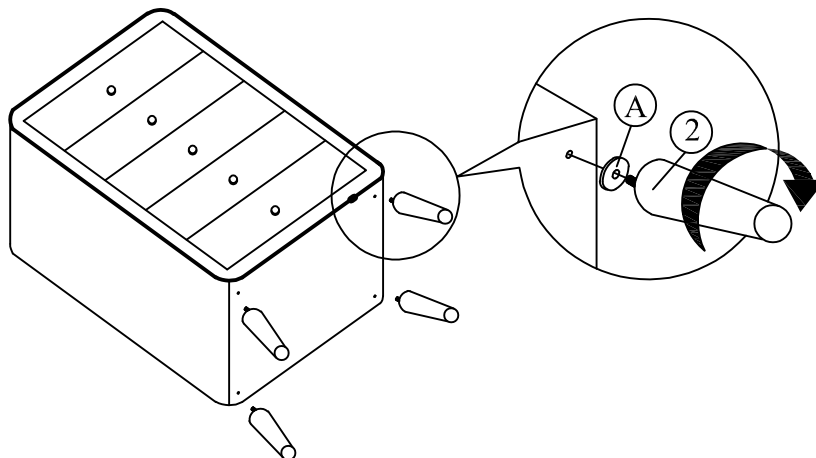
STEP 1 : Take out the small carton to assemble !







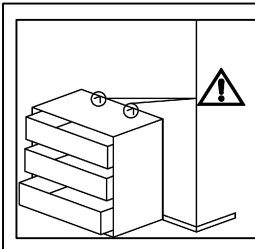
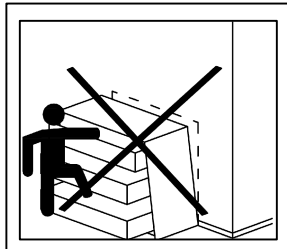
STEP 2 : Attach the handle by using handle screw.



STEP 3 : Tighten the legs (2) to chest (1) as shown.



How to assemble:

<p>Anti - Tapping</p>	<p>①  CSK Screw M3.5x16mm 1PC</p>	<p>②  CSK Screw M4x50mm 1PC</p>	<p>③  L BRACKET 2PCS</p>	<p>④  CABLE TIE 1PC</p>		
-----------------------	---	---	---	--	--	---

Thank you for purchasing this quality product. Be sure to check all packing material carefully for small parts which may have come loose inside the carton during shipment. Separate, identify and count all parts and metal hardware. Compare with all parts list to be sure all parts are present. If any part (s) are missing or damaged, please contact your local furniture dealer. For efficient and speedy service, please indicate the model number and code letter of part (s) needed.

***** Do not fully tighten screws until fully assembled *****

BACK VIEW

