

ASSEMBLY INSTRUCTIONS

WALL HUGGER RECLINER

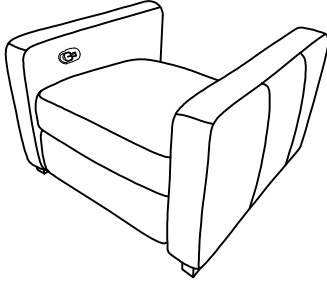
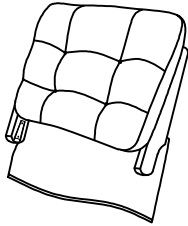
PAGE: 1 OF 2

Read instructions carefully prior to assembly.

Thank you for purchasing this quality product. Check carefully for small parts which may have come loose during shipment. Remove all components from pack and place top down on soft surface such as carpet or cloth to prevent scratching the finish. Identify and count all parts as specified below.

It is recommended to use two or more people during the assembly process.

PARTS LIST:

NO.	DESCRIPTION	SKETCH	Q'TY
A	Seat		1
B	Backrest		1

Cleaning instructions: Clean with the soft cloth

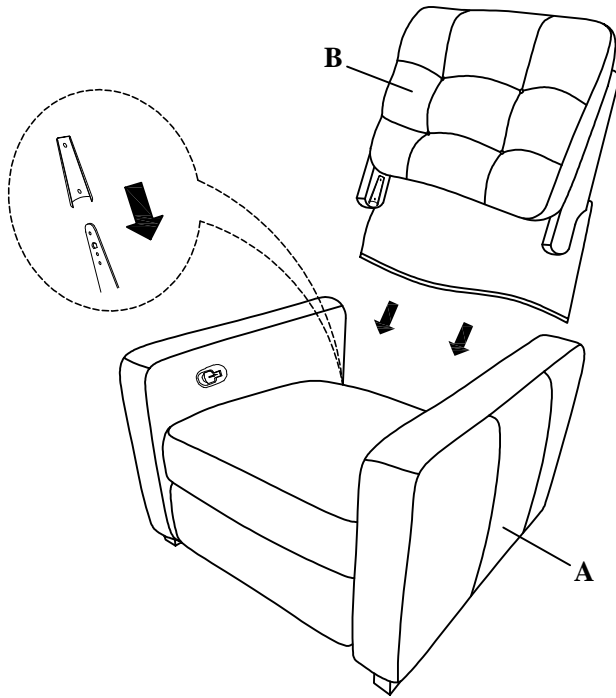
Made in Vietnam

ASSEMBLY INSTRUCTIONS

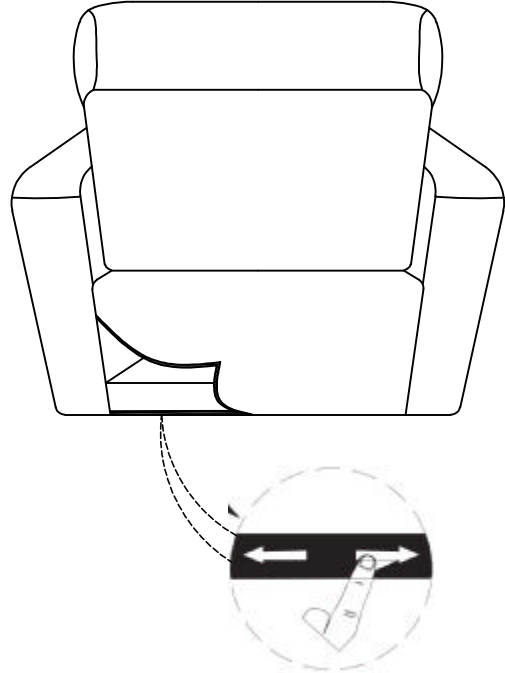
WALL HUGGER RECLINER

PAGE: 2 OF 2

Step 1: Attach the Backrest (B) to the Seat (A).
Check to assure both sides of the mechanism post are positioned inside of the KD receivers on the sides of the back frame, push in a downward motion from the top of the back frame until a clicking sound is heard.

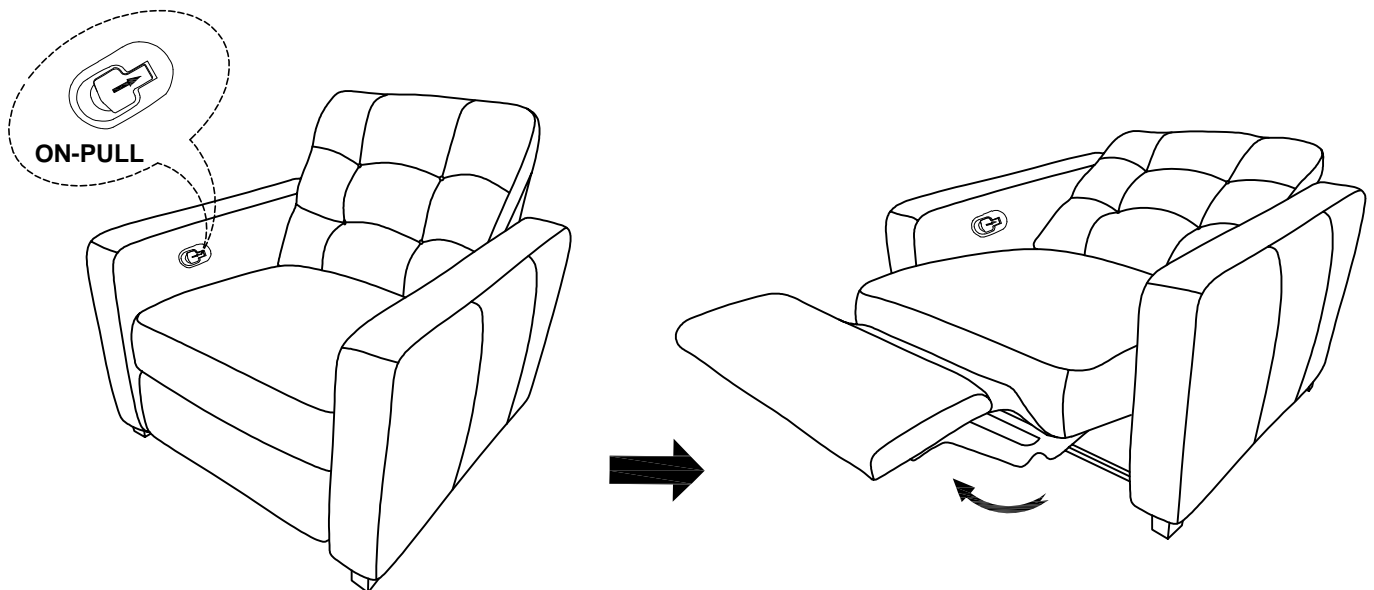


Step 2: Stretch and pull down rear cover of Backrest evenly before securing velcro strip to the Seat.



Note: Close the bottom cover

Step 3: Open the Footrest by pulling out the Switch.



Cleaning instructions: Clean with the soft cloth

Made in Vietnam