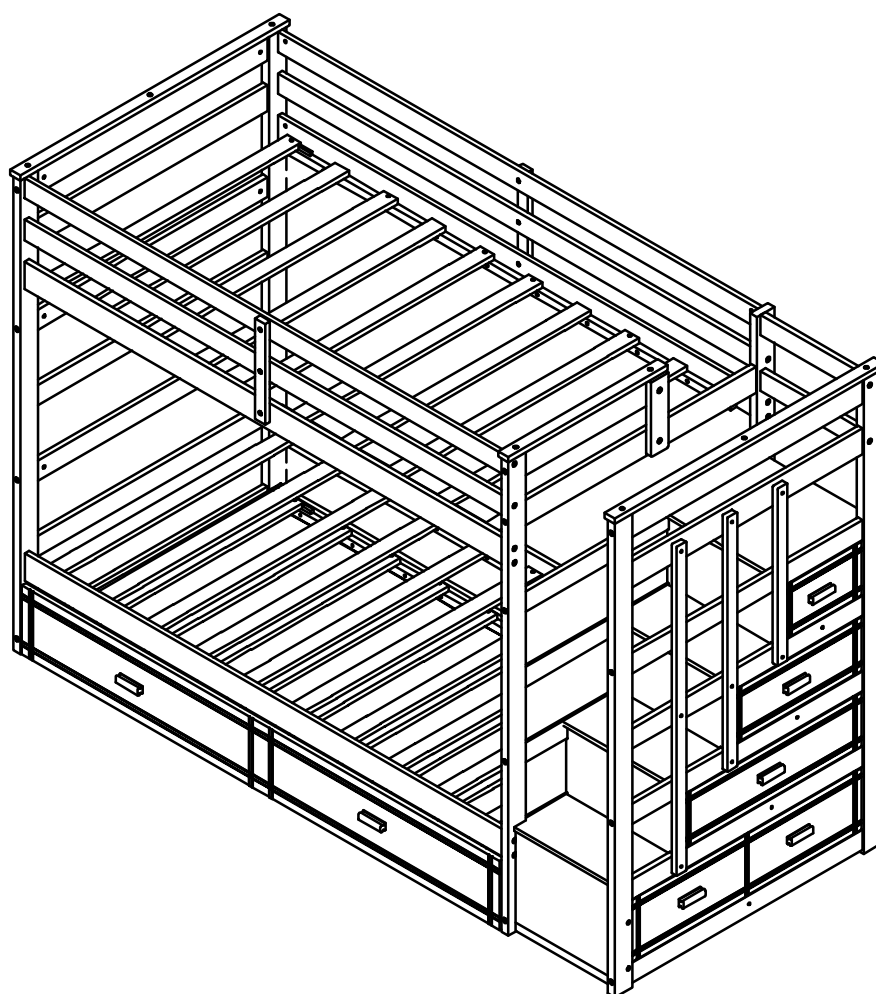
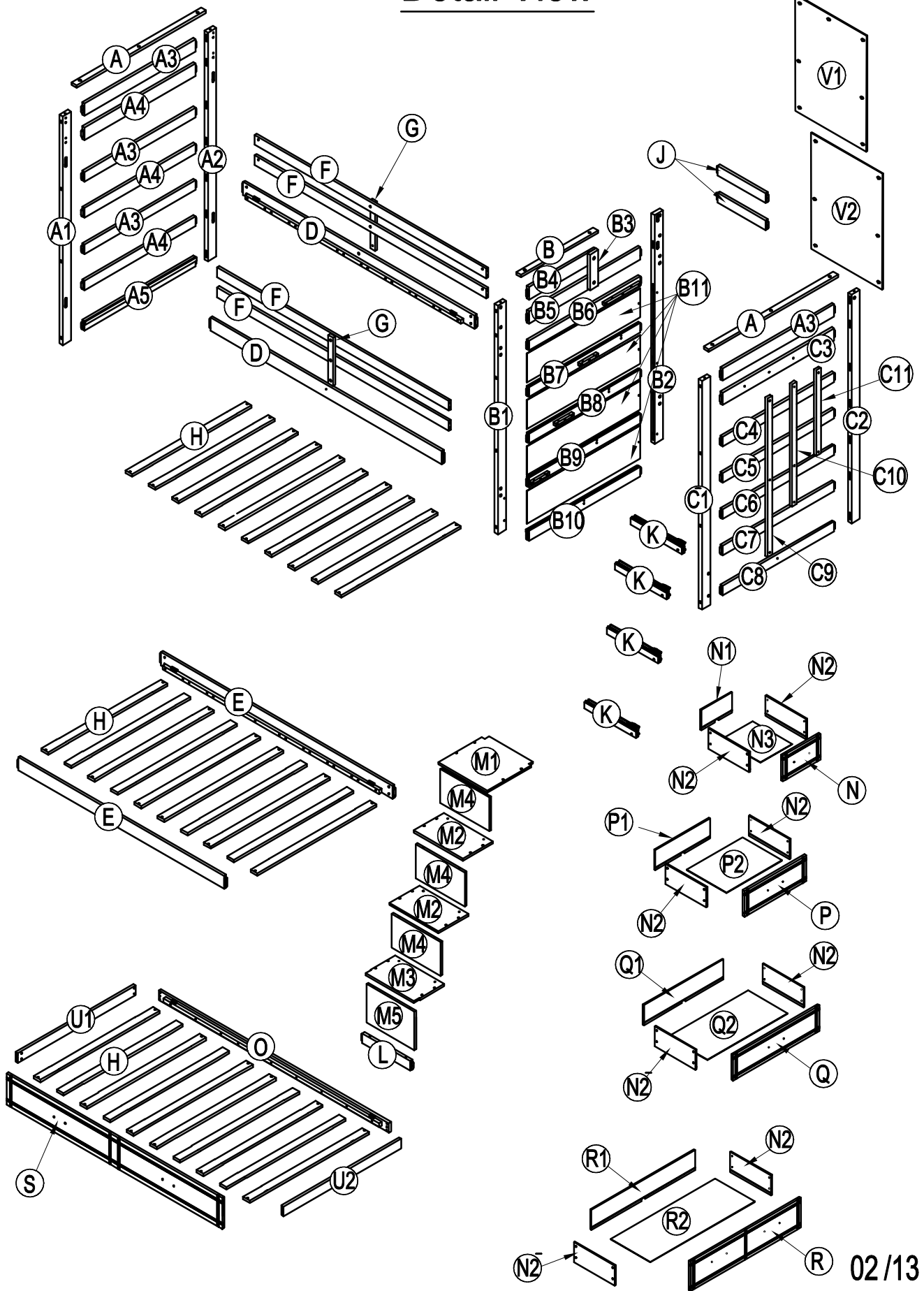


# ASSEMBLY INSTRUCTIONS


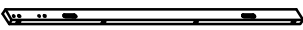

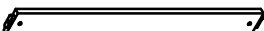
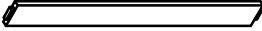

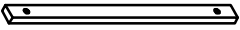
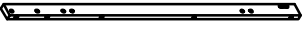



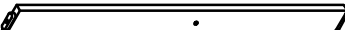






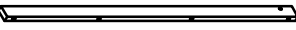

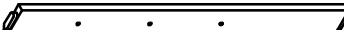
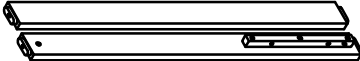
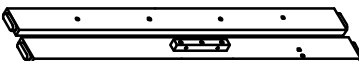
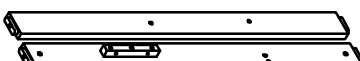
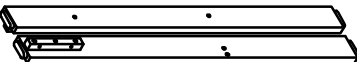


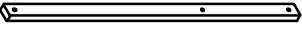
## BUNK BED



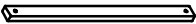





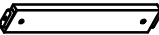

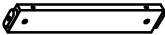
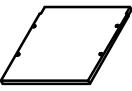
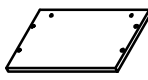
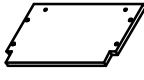




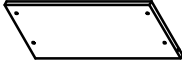
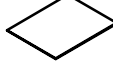


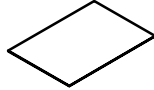




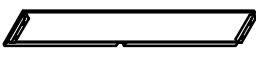



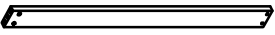
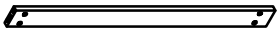
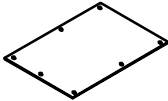
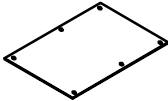
# Detail View



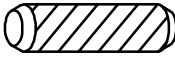
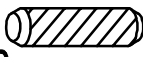





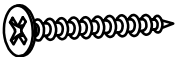

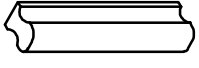

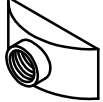



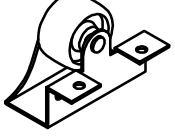
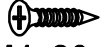


# Part List

<b>A</b>  Cap for HB - 2pcs	<b>A1</b>  Leg HB (FRONT) - 1pc	<b>A2</b>  Leg HB (BACK) - 1pc
<b>A3</b>  Horizontal bar - 4pcs	<b>A4</b>  Horizontal bar - 3pcs	<b>A5</b>  Horizontal bar - 1pcs
<b>B</b>  Cap for HB - 1pc	<b>B1</b>  Leg HB (FRONT) - 1pc	<b>B2</b>  Leg HB (BACK) - 1pc
<b>B3</b>  MID POST - 1pc	<b>B4</b>  Horizontal bar - 1pc	<b>B5</b>  Horizontal bar - 1pc
<b>B6</b>  Horizontal bar - 1pc	<b>B7</b>  Horizontal bar - 1pc	<b>B8</b>  Horizontal bar - 1pc
<b>B9</b>  Horizontal bar - 1pc	<b>B10</b>  Horizontal bar - 1pc	<b>B11</b>  Side panel - 4pcs
<b>C1</b>  Leg HB (FRONT) - 1pc	<b>C2</b>  Leg HB (BACK) - 1pc	<b>C3</b>  Horizontal bar - 1pc
<b>C4</b>  Horizontal bar - 1pc	<b>C5</b>  Horizontal bar - 1pc	<b>C6</b>  Horizontal bar - 1pc
<b>C7</b>  Horizontal bar - 1pc	<b>C8</b>  Horizontal bar - 1pc	<b>C9</b>  SUPPORT POST - 1pc
<b>C10</b>  SUPPORT POST - 1pc		

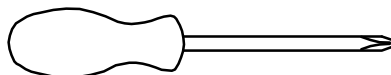
# Part List

<b>C11</b>  SUPPORT POST - 1pc	<b>D</b>  Side rail(upper)-2pcs	<b>E</b>  Side rail(Lower)-2pcs
<b>F</b>  guard rail - 4pcs	<b>G</b>  Vertical guard rail - 2pcs	<b>H</b>  Slats - 30pcs
<b>J</b>  Horizontal bar - 2pcs	<b>K</b>  Support drawer -4pcs	<b>L</b>  Horizontal bar - 1pc
<b>M1</b>  FOOTBOARD -1pc	<b>M2</b>  FOOTBOARD -2pcs	<b>M3</b>  FOOTBOARD -1pc
<b>M4</b>  FOOTBOARD -3pcs	<b>M5</b>  FOOTBOARD -1pc	<b>N</b>  Drawer front - 1pc
<b>N1</b>  Drawer back - 1pc	<b>N2</b>  Drawer left&right - 8pcs	<b>N3</b>  Drawer botton - 1pc
<b>P</b>  Drawer front - 1pc	<b>P1</b>  Drawer back - 1pc	<b>P2</b>  Drawer botton - 1pc
<b>Q</b>  Drawer front - 1pc	<b>Q1</b>  Drawer back - 1pc	<b>Q2</b>  Drawer botton - 1pc
<b>R</b>  Drawer front - 1pc	<b>R1</b>  Drawer back - 1pc	<b>R2</b>  Drawer botton - 1pc
<b>S</b>  Front panel - 1pc	<b>O</b>  Back - 1pc	<b>U1</b>  Left side panel -1pc
<b>U2</b>  Right side panel -1pc	<b>V1</b>  UPPER BACK PANEL- 1pc	<b>V2</b>  LOWER BACK PANEL- 1pc

# HardwareList



<p>1  Ø10x40 mm Wood dowel(16pcs)</p>	<p>2  Ø8x30 mm Wood dowel(24pcs)</p>	<p>3  Bolts 1/4" x75 mm (32pcs)</p>
<p>4  Screw 1/4" x80 mm (23pcs)</p>	<p>5  Screw 1/4" x60 mm (4pcs)</p>	<p>6  1/4" x30 mm Bolts(32pcs)</p>
<p>7  1/4" *15 Cross nuts (16pcs)</p>	<p>8  Screw M4x30 mm (100pcs)</p>	<p>9  Small Bolts 4x20 (14pcs)</p>
<p>10  Handle(7pcs)</p>	<p>11  Allenkey(1pc)</p>	<p>12  M6 Half Moon 16pcs</p>
<p>13  340*30mm Runner(4pcs)</p>	<p>14  Screw M3.5x12 mm (12pcs)</p>	<p>15  Screw M4x15 mm (13pcs)</p>
<p>16  Wheels 4Pcs</p>	<p>17  Screw M4x20 mm (12pcs)</p>	<p>18  1/4" x25 mm Bolts(8pcs)</p>
		<p>19  1/4" x15 mm T-nut(8pcs)</p>

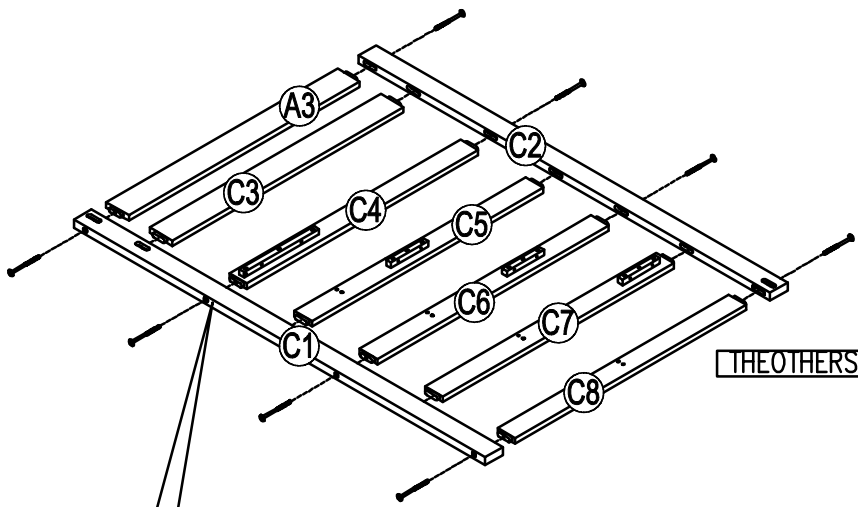
## ASSEMBLY TOOLS REQUIRED (NOT INCLUDED)



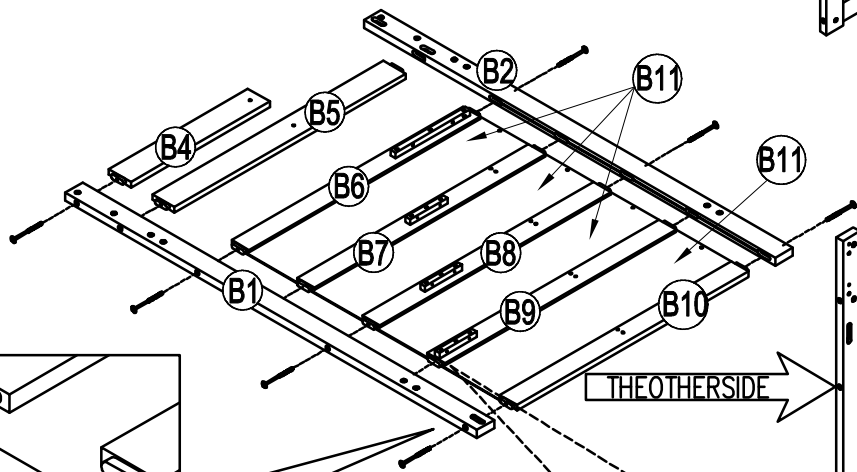
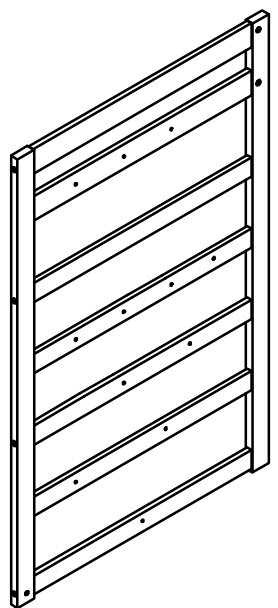
PLEASE BE CAREFUL DO NOT DAMAGE THE HOLE POSITION WHEN YOU USE POWER TOOLS !

# STEP1:

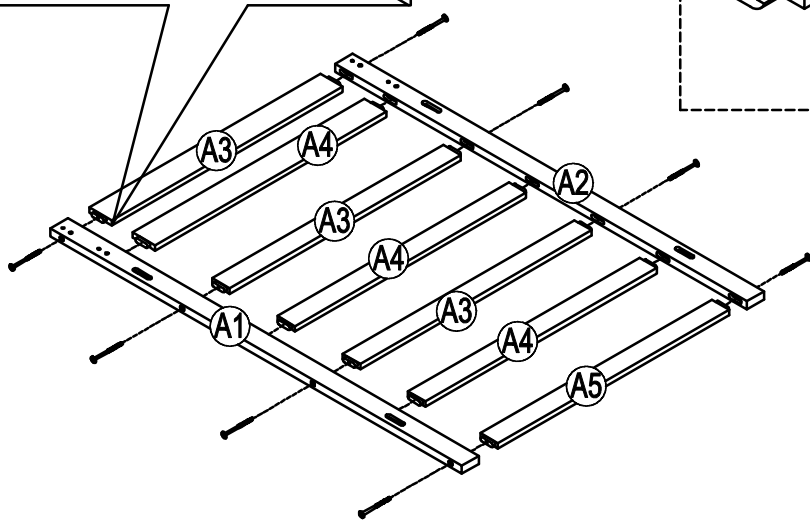
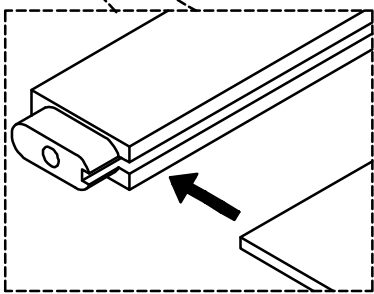
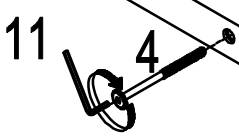
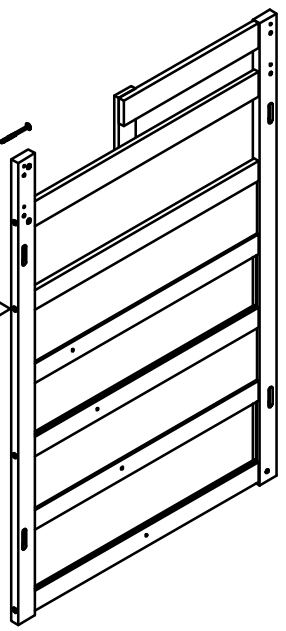
4	11
	
23 PCS	1 PC








THE OTHER SIDE →

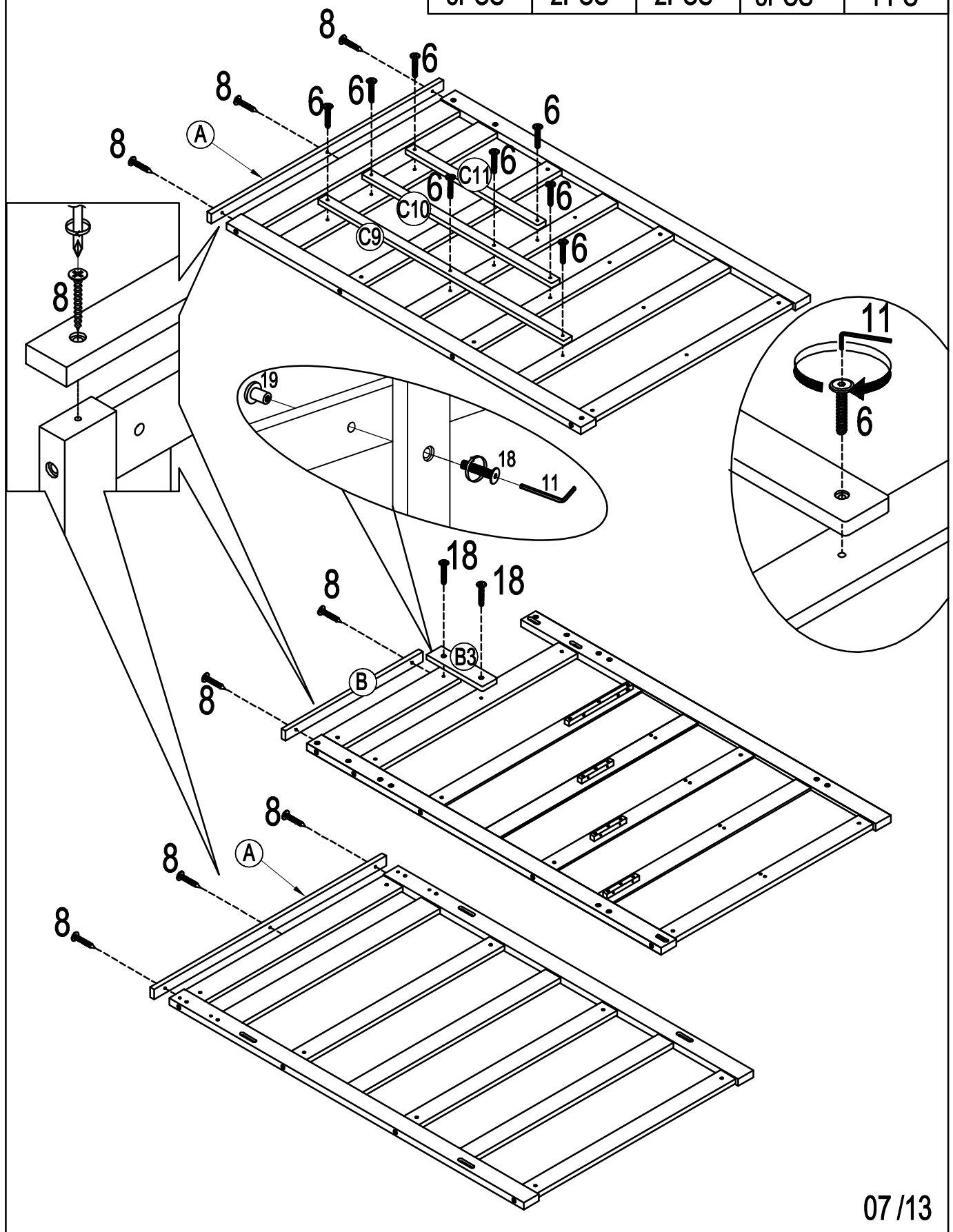


THE OTHER SIDE →

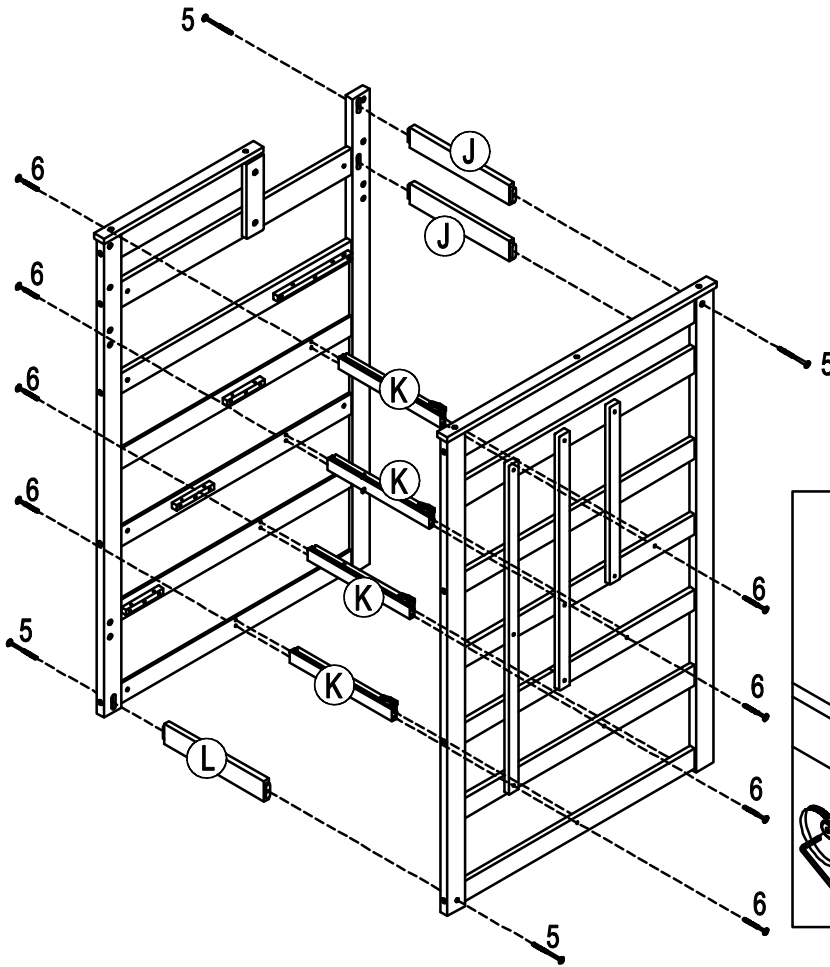


# STEP2:

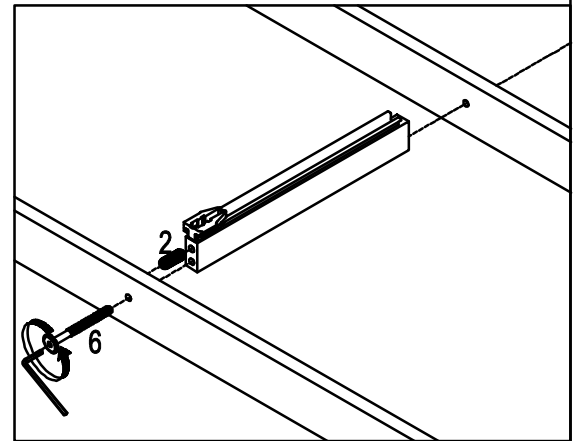
6		19		18		8		11	
8PCS		2PCS		2PCS		8PCS		1 PC	



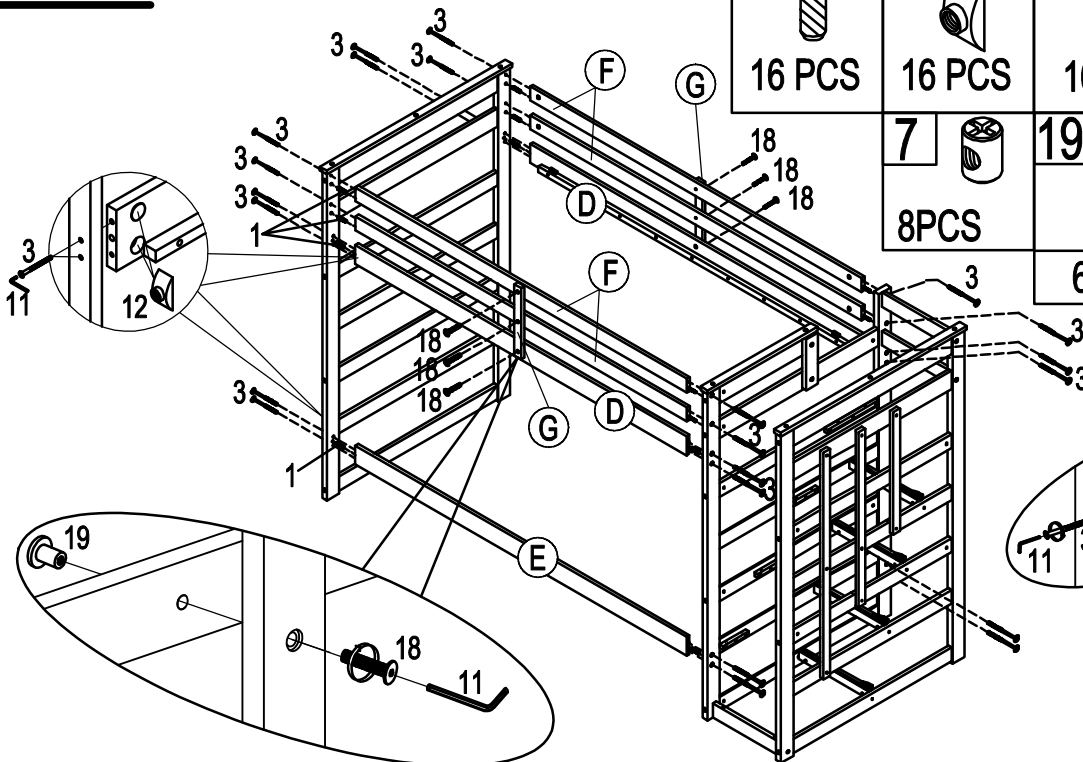
**STEP3:** REMEMBER, DO NOT full tighten screws step 3--step 8 until step 8 is completed.



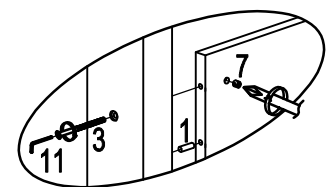
5	6	2
6PCS	8PCS	4 PCS
		11
		1 PC







**STEP4:**

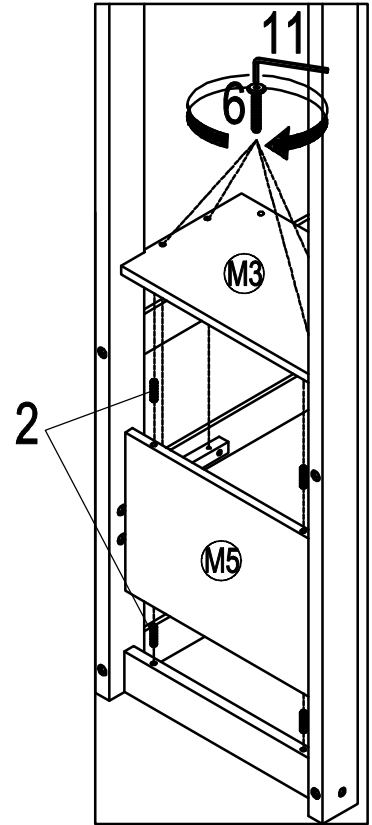
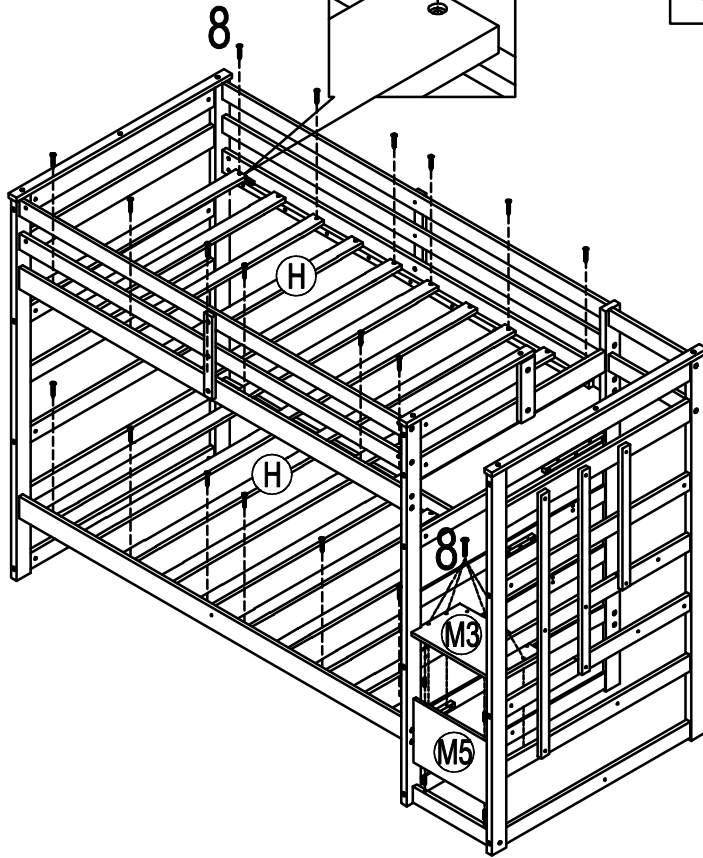


1	12	3	18
16 PCS	16 PCS	16 PCS	6 PCS
		7	11
		8PCS	1 PC
		19	
		6 PC	





**STEP5:**



8	2	6	11
			
40PCS	4PCS	4PCS	1 PC

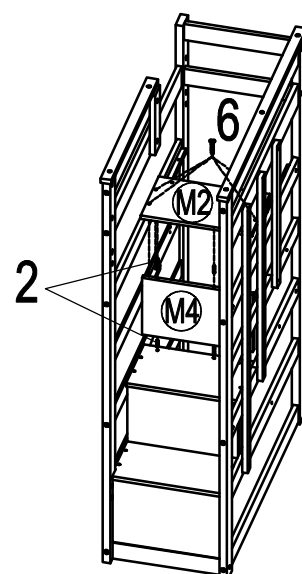
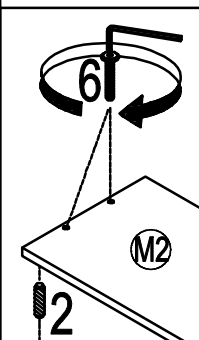
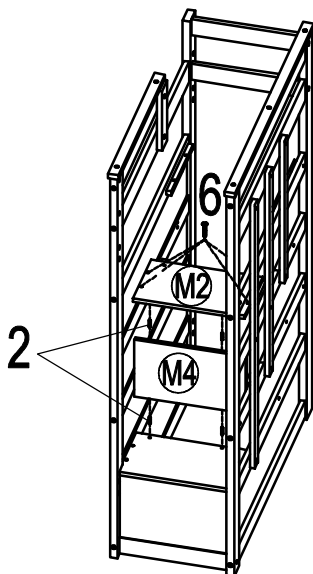
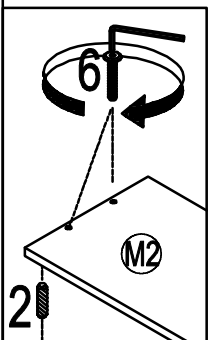


**STEP6:**




2	6
	
4PCS	4PCS

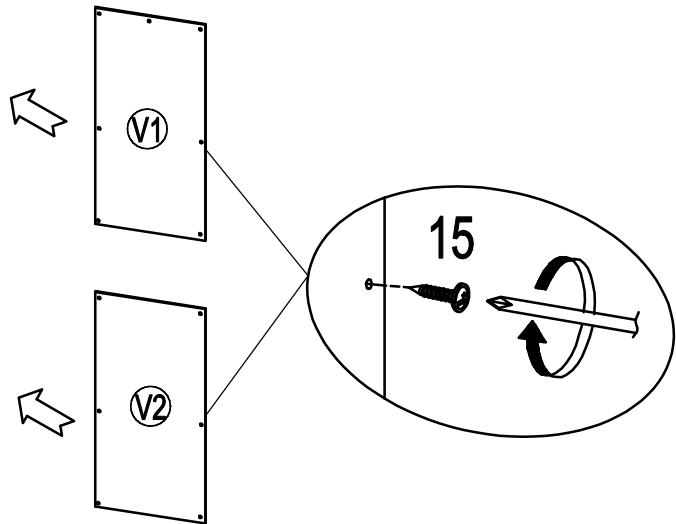
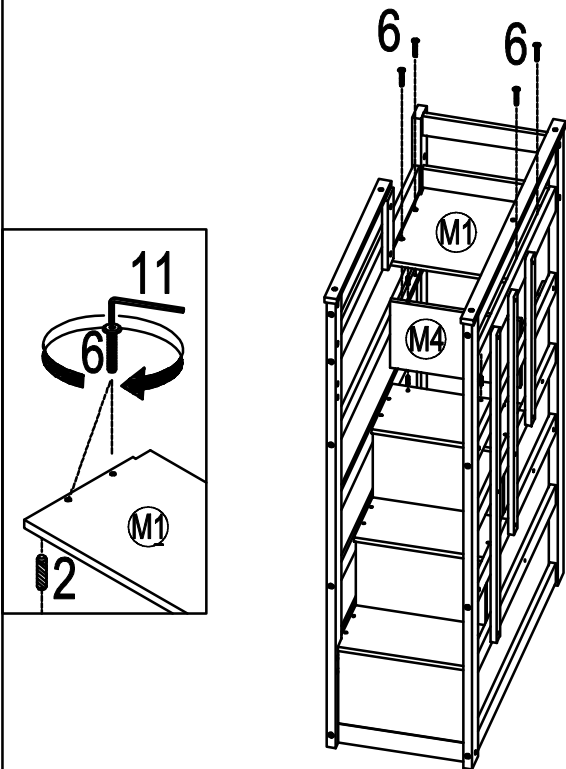
**STEP7:**

2	6
	
4PCS	4PCS





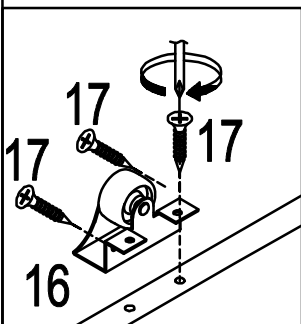
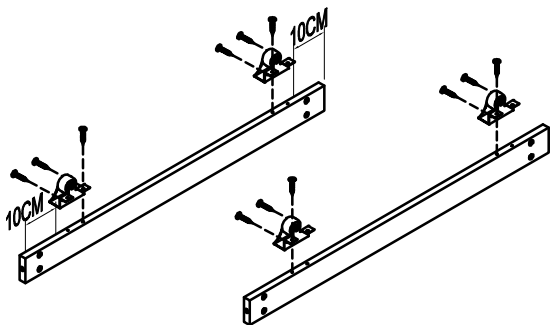
### STEP 8:

2		6		11	
4PCS		4PCS		1 PC	






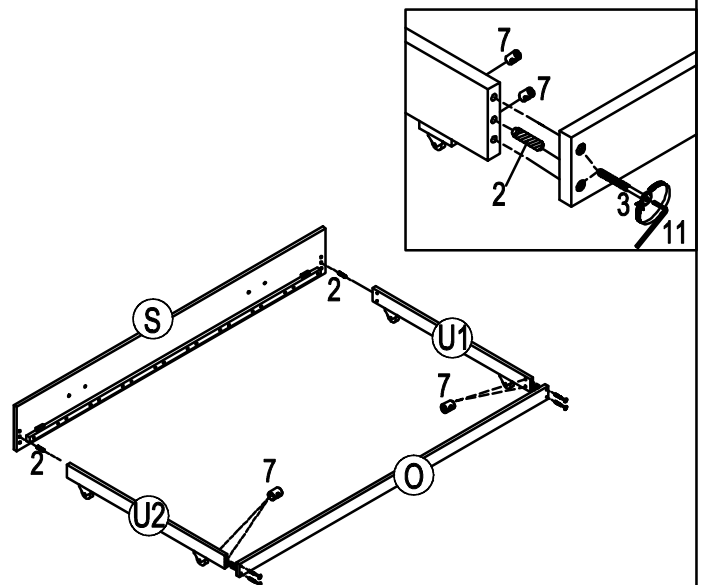
### STEP 9:

16		17	
4PCS		12PCS	






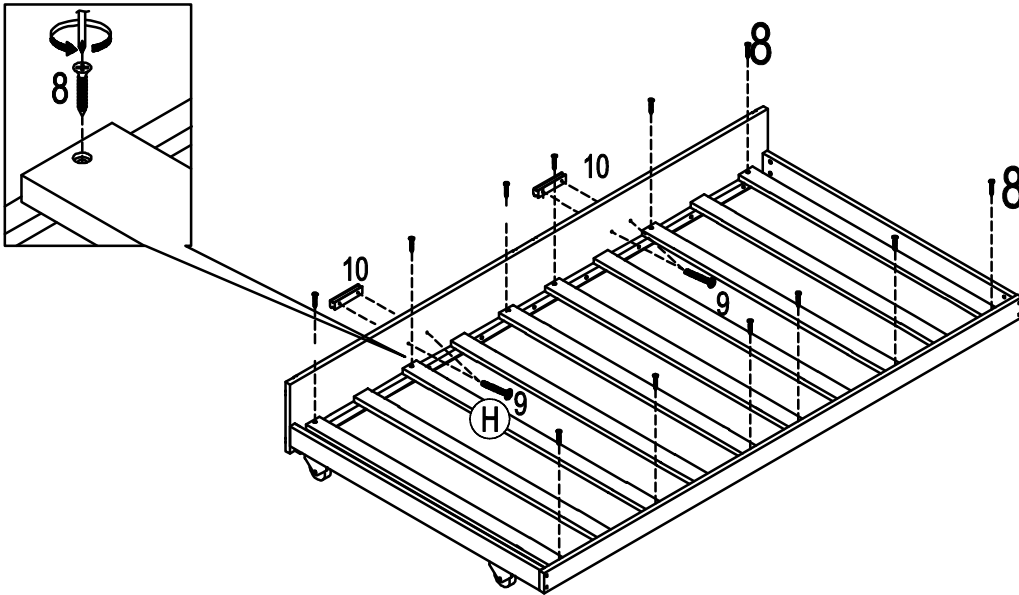
### STEP 10:

2		3		7	
4PCS		8PCS		8PCS	




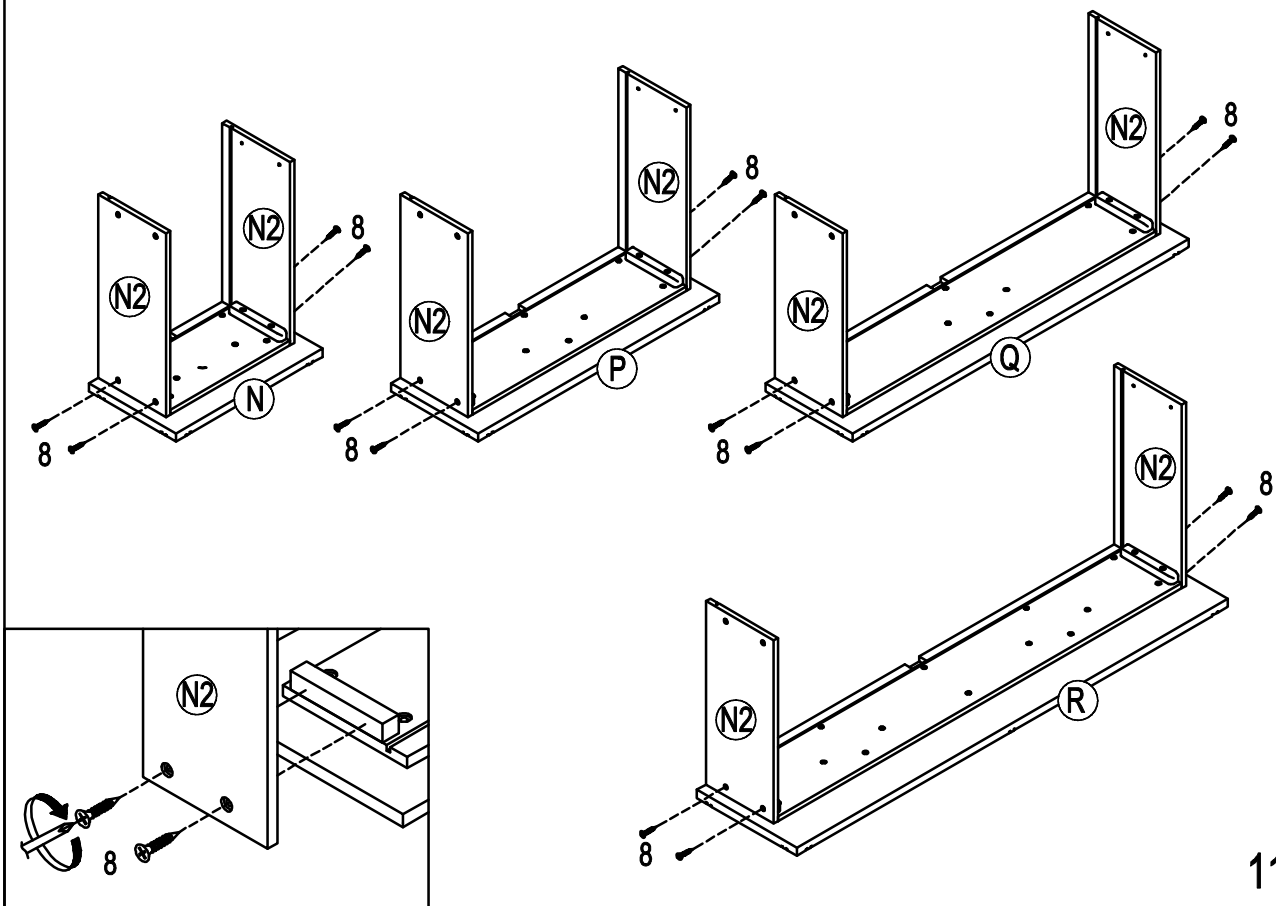
# STEP 11:

8	10	9
		
20PCS	4PCS	8PCS

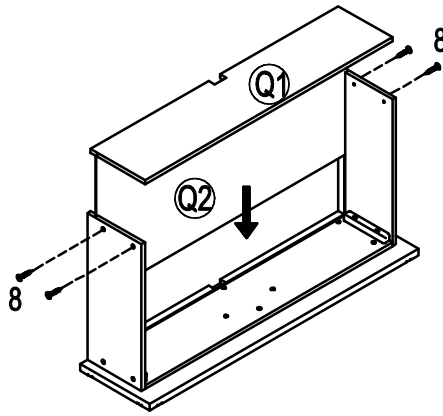
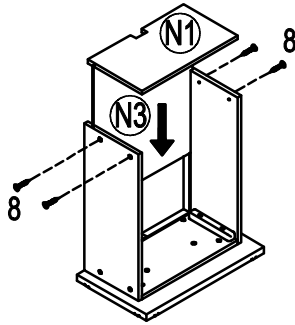


# STEP 12:

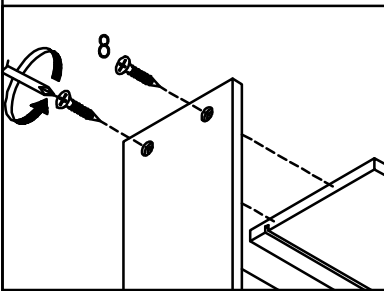
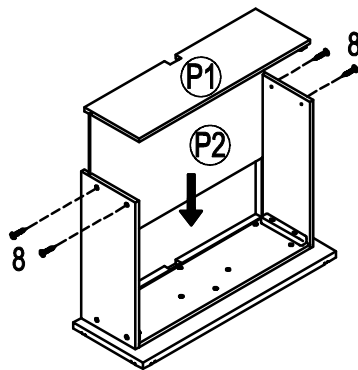
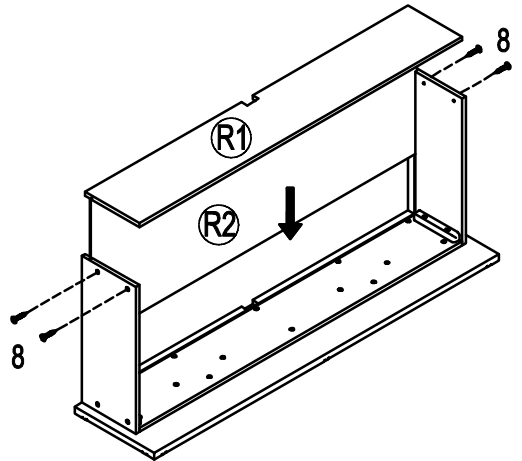
8

20PCS



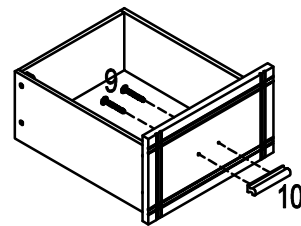
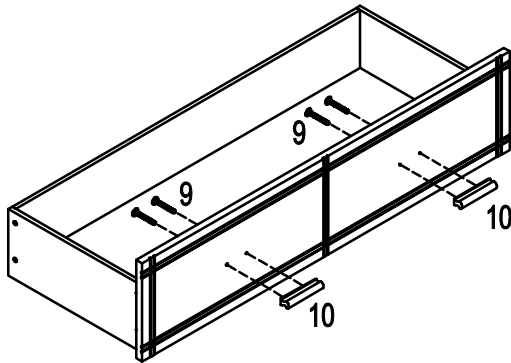
# STEP 13:



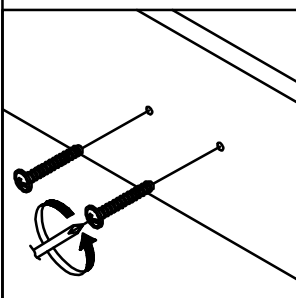
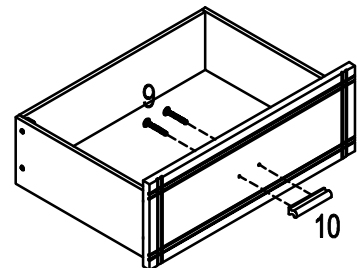
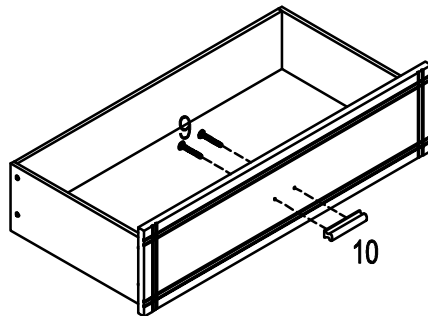
8	
16PCS	





# STEP 14:

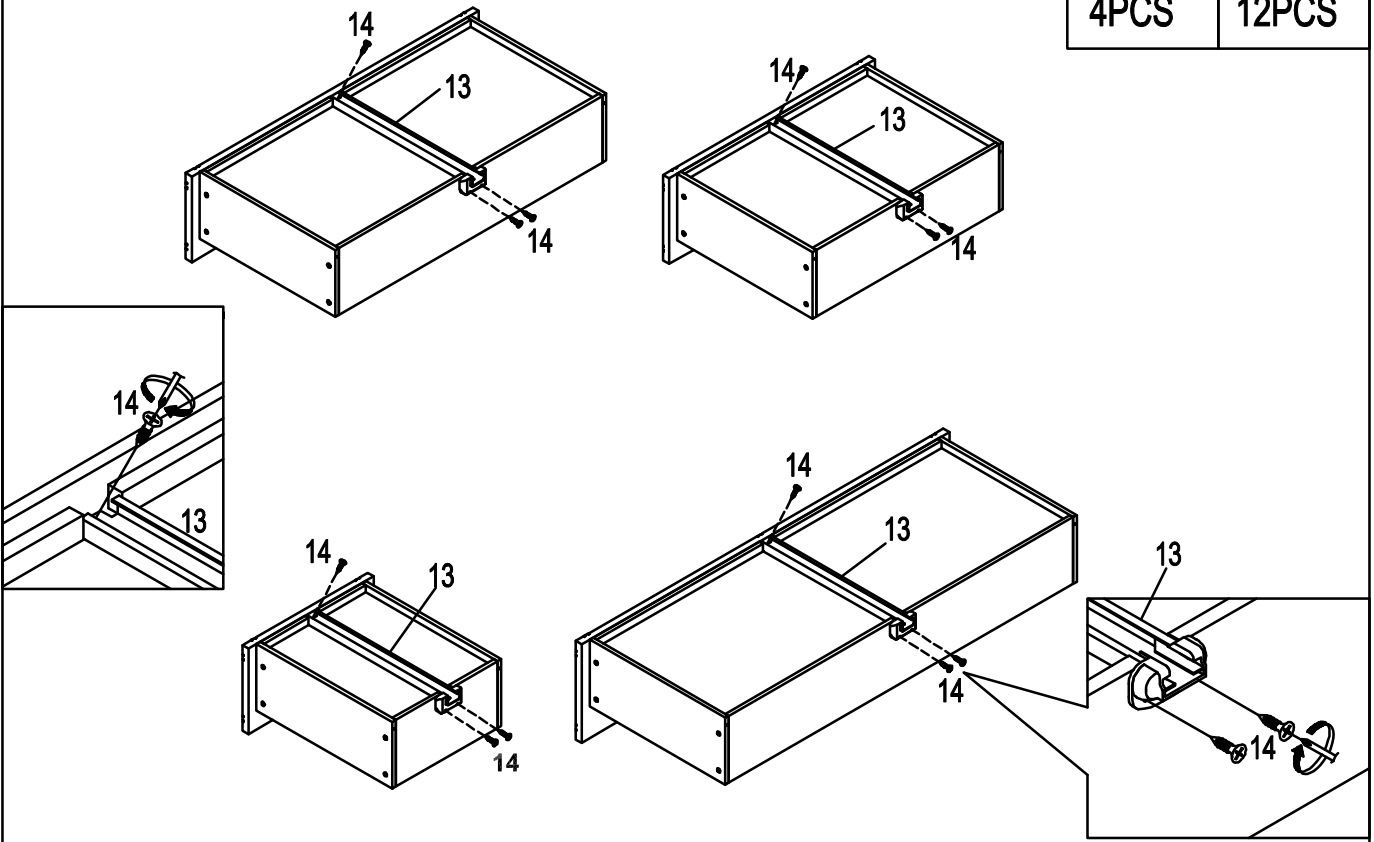


10		9	
5PCS		10PCS	



# STEP 15:

13	14
	
4PCS	12PCS



# STEP 16:

