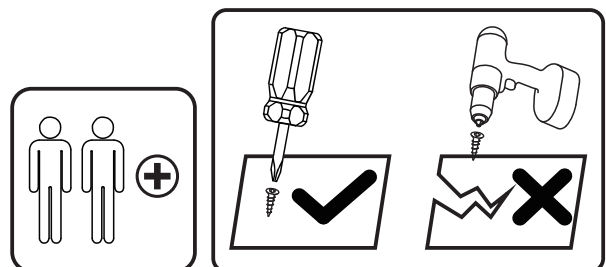
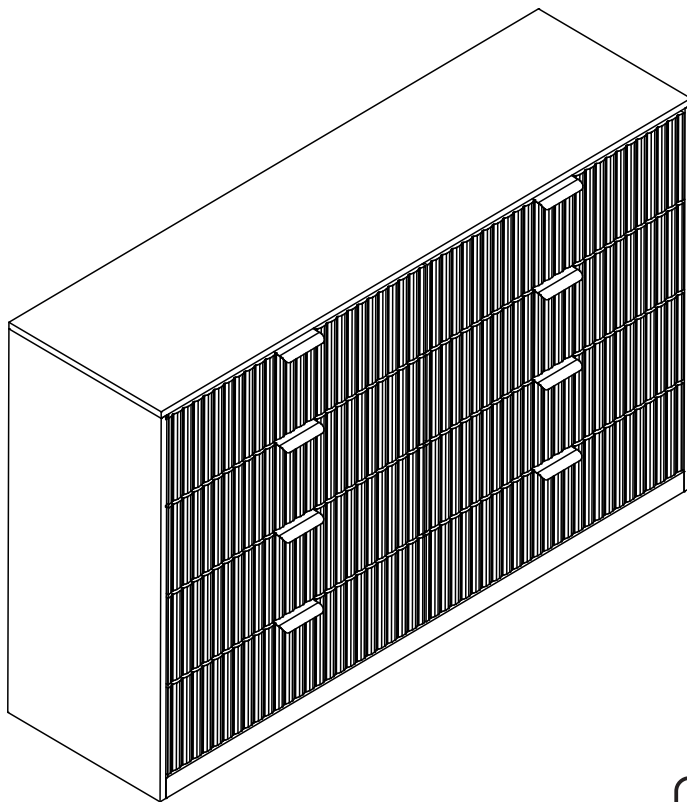


ASSEMBLY INSTRUCTIONS

Customer Service : cs@nbrehome.com



Tools Recommended

THIS INSTRUCTIONS CONTAINS IMPORTANT SAFETY INFORMATION.
PLEASE READ BEFORE ASSEMBLY AND KEEP FOR FUTURE REFERENCE.

Need Parts or Assistance? Email us : cs@nbrehome.com

IMPORTANT NOTICE

-This product contains small components, please ensure that they are kept away from small children.

-THIS INSTRUCTIONS CONTAINS IMPORTANT SAFETY INFORMATION.
PLEASE READ BEFORE ASSEMBLY AND KEEP FOR FUTURE REFERENCE.

-Read each step carefully. It is very important that each step of instruction is performed in the correct order. If these steps are not followed in sequence, assembly difficulties will occur.

-Make sure all parts are included. Most parts are labelled or stamped on the raw edge.

-Work in spacious area, preferably on a carpet, near the place the unit will be used.

-Do not use power tools to assemble your furniture. Power tools may strip or damage the parts.

-Move your new furniture carefully, with two people lift and carry the unit to it's new location.

-Never push, drag or pull your furniture (especially on carpet)




PLEASE DO NOT RETURN PRODUCT TO US IMMEDIATELY

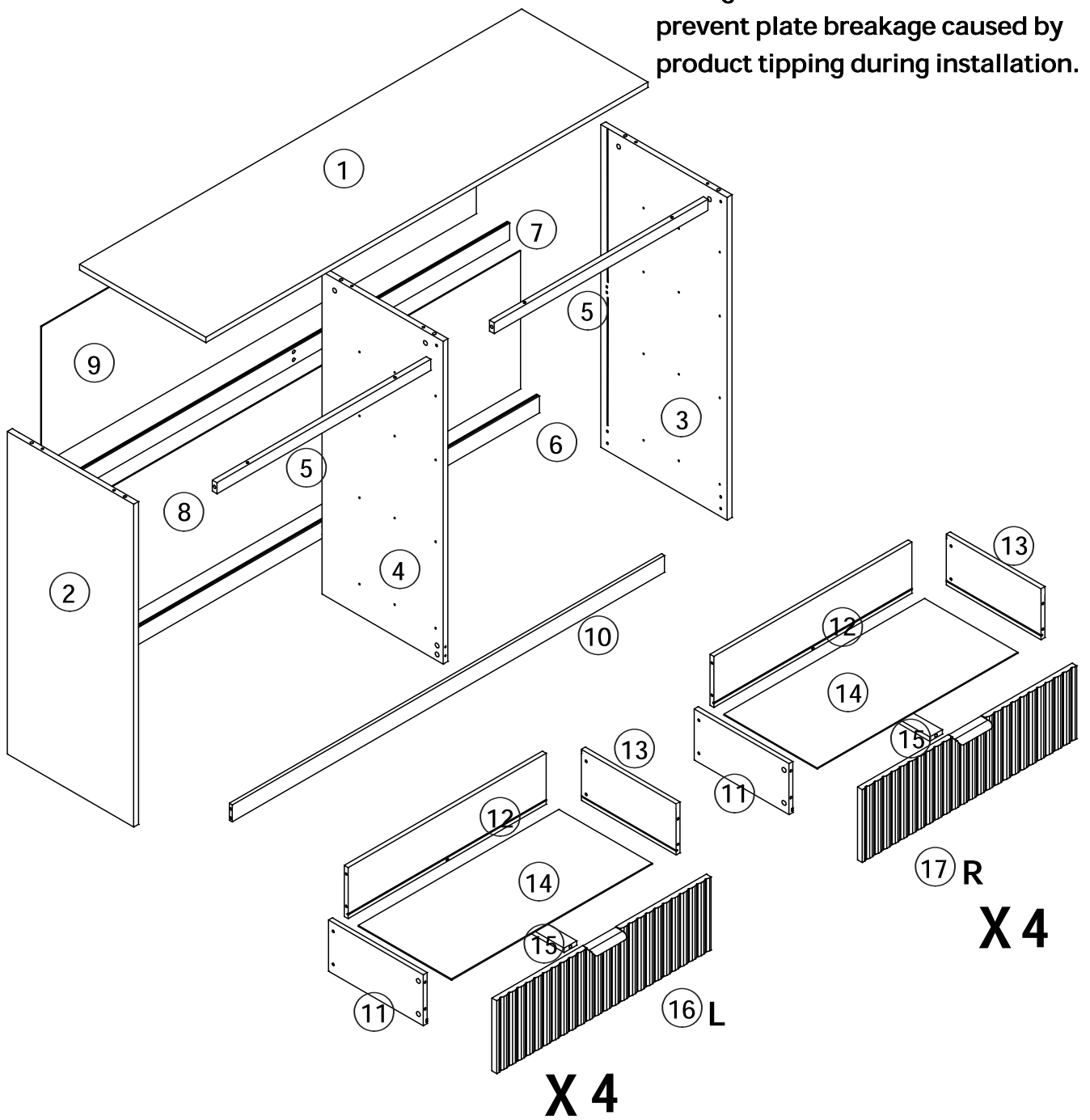
If a part is missing or damaged, email our customer service.
We will gladly ship your replacement parts FREE of charge.

















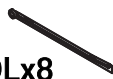

Need Parts or Assistance? Email us : cs@nbrehome.com

For Prompt, reliable service, please have your assemble instruction ready

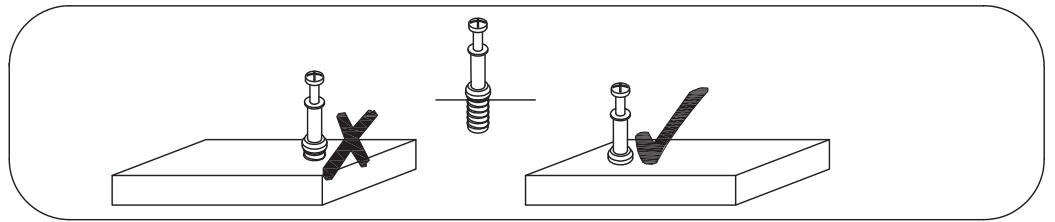
 WARNING	
	Children have died from furniture tipover. To reduce the risk of furniture tipover: <ul style="list-style-type: none">• ALWAYS install anti-tip device provided.• NEVER put a TV on this product.• NEVER allow children to stand, climb or hang on any drawers, doors, or shelves.• NEVER open more than one drawer at a time.• Place heaviest items in the lowest drawers.
	<p>This is a permanent label. Do not remove!</p>

The installation direction should be aligned with the instructions to prevent plate breakage caused by product tipping during installation.

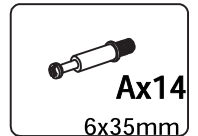
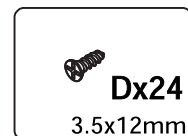
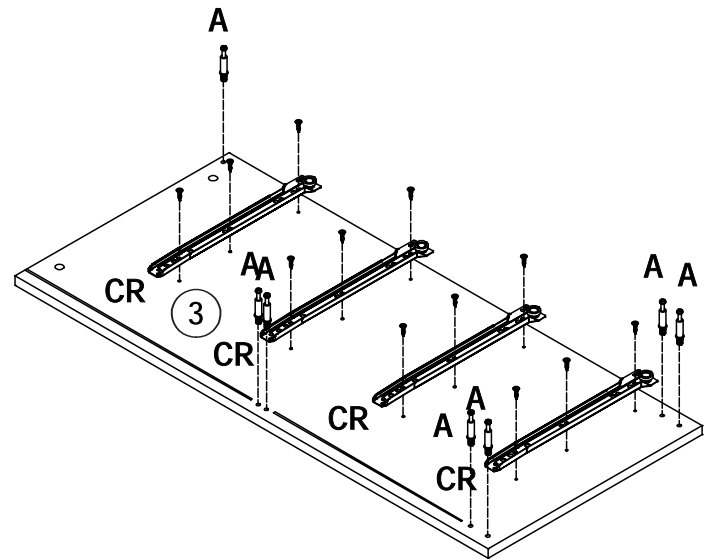
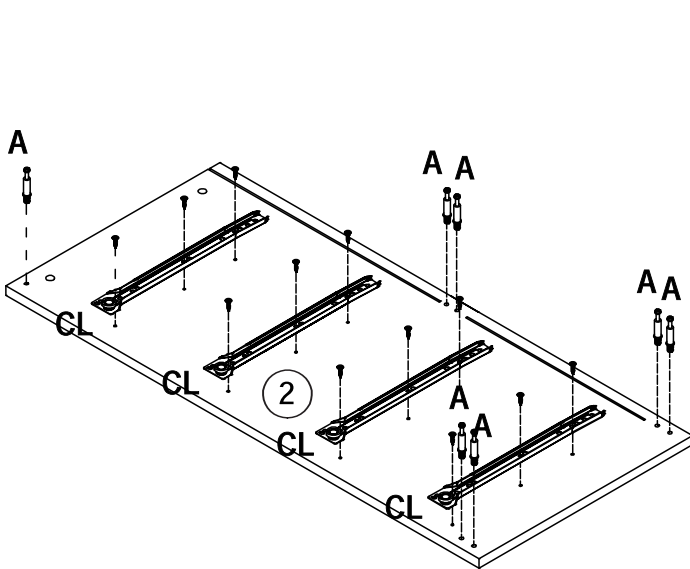
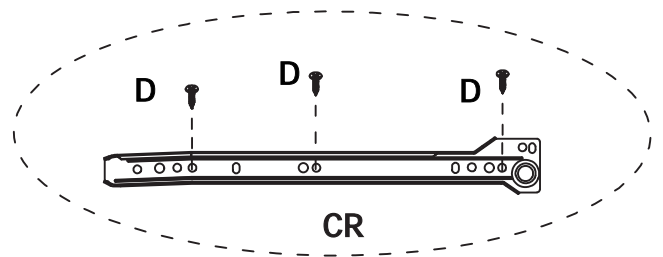
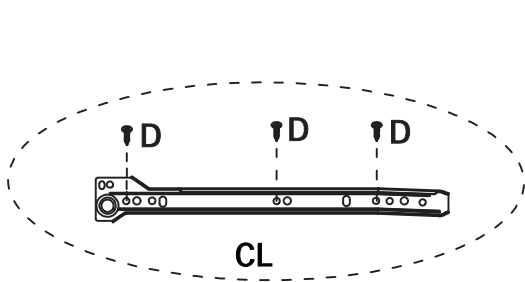


 Ax64 6x35mm	 Bx64 15x5.9mm	 Cx6 6x30mm	 Dx96 3.5x12mm	 Ex6 4x40mm	 Fx 40 4x30mm	 Gx8 3x14mm	
 HX8	 Ix8	 Jx16 3.5x12mm	 Kx2	 Lx2 4x12mm	 Mx2 6x30mm	 Nx4 4x35mm	
 CLX8 300mm	 CRx8 300mm	 DLx8 300mm	 DRx8 300mm				

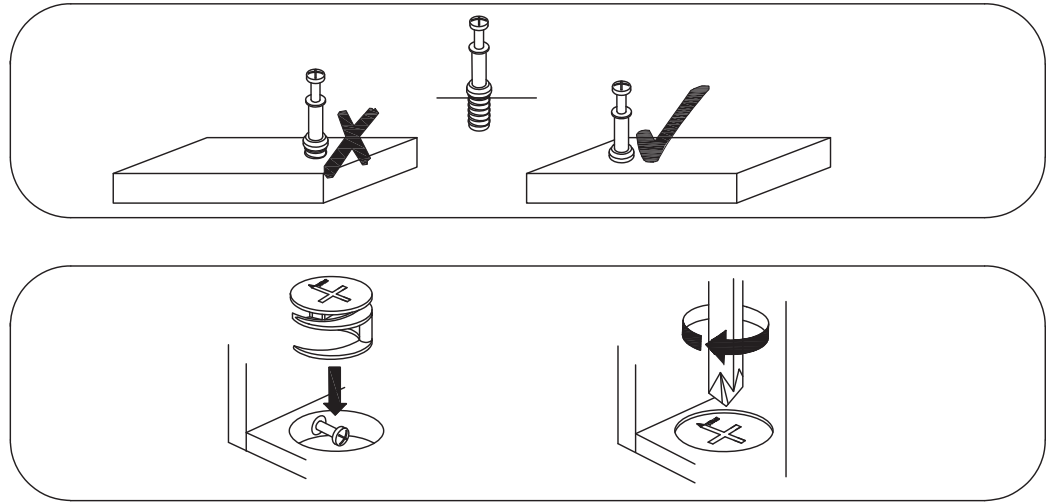
Step 1



Lock the screw (A) to part ② & ③ first, then use screws (D) to install guide rail (CL) on the part ②, and install guide rail (CR) on part ③.
The installation position is as shown in the figure below.

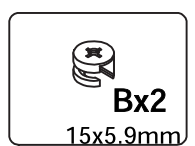
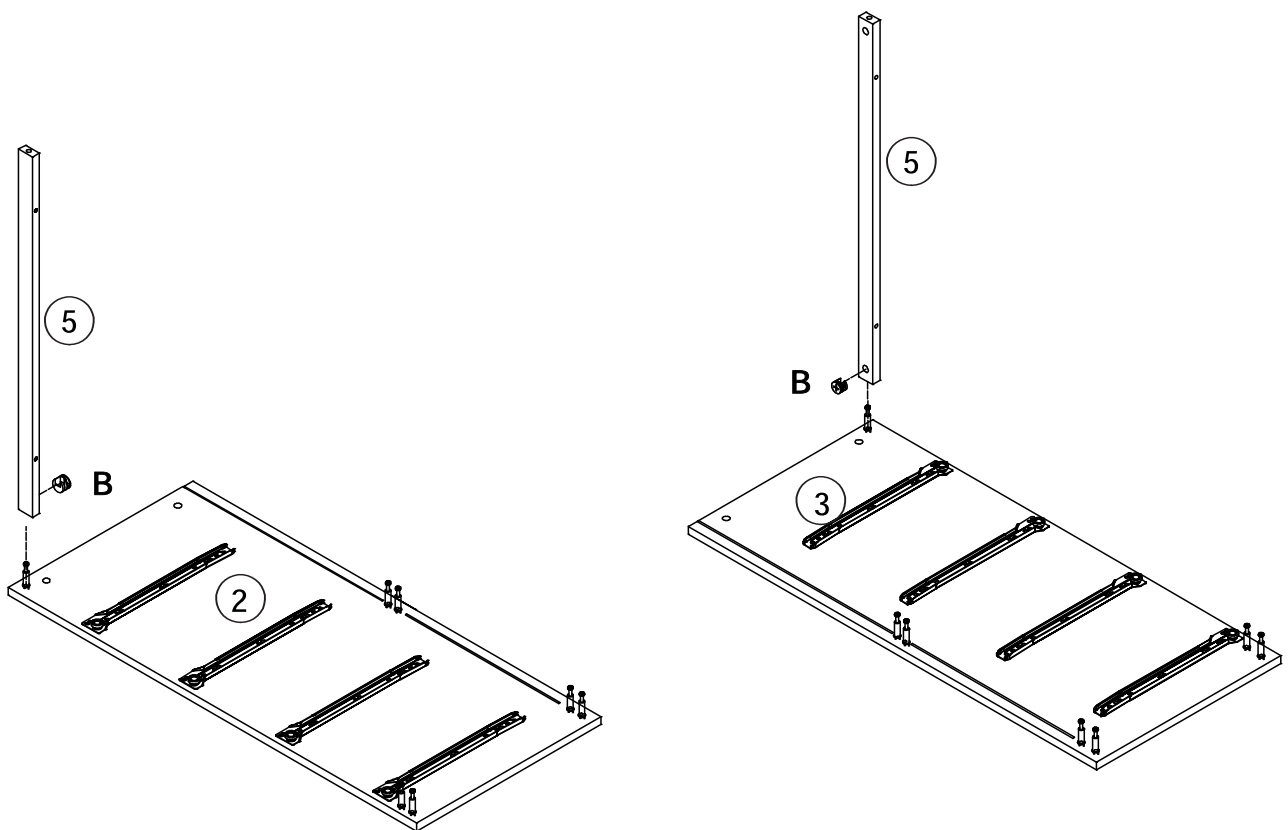


Step 2

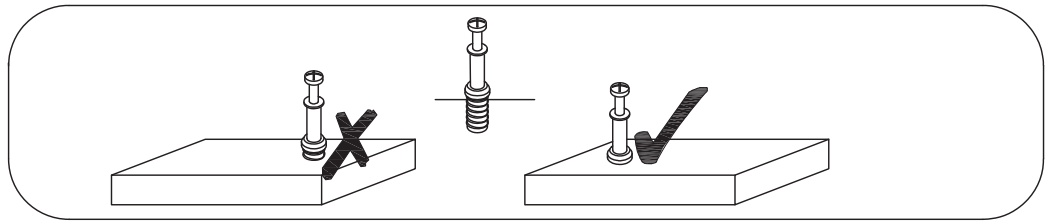


Assemble part ⑤ and part ② & ③, then put the eccentric (B) into the corresponding hole and use a screwdriver to turn it clockwise to tighten.

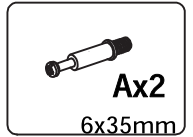
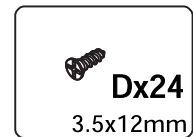
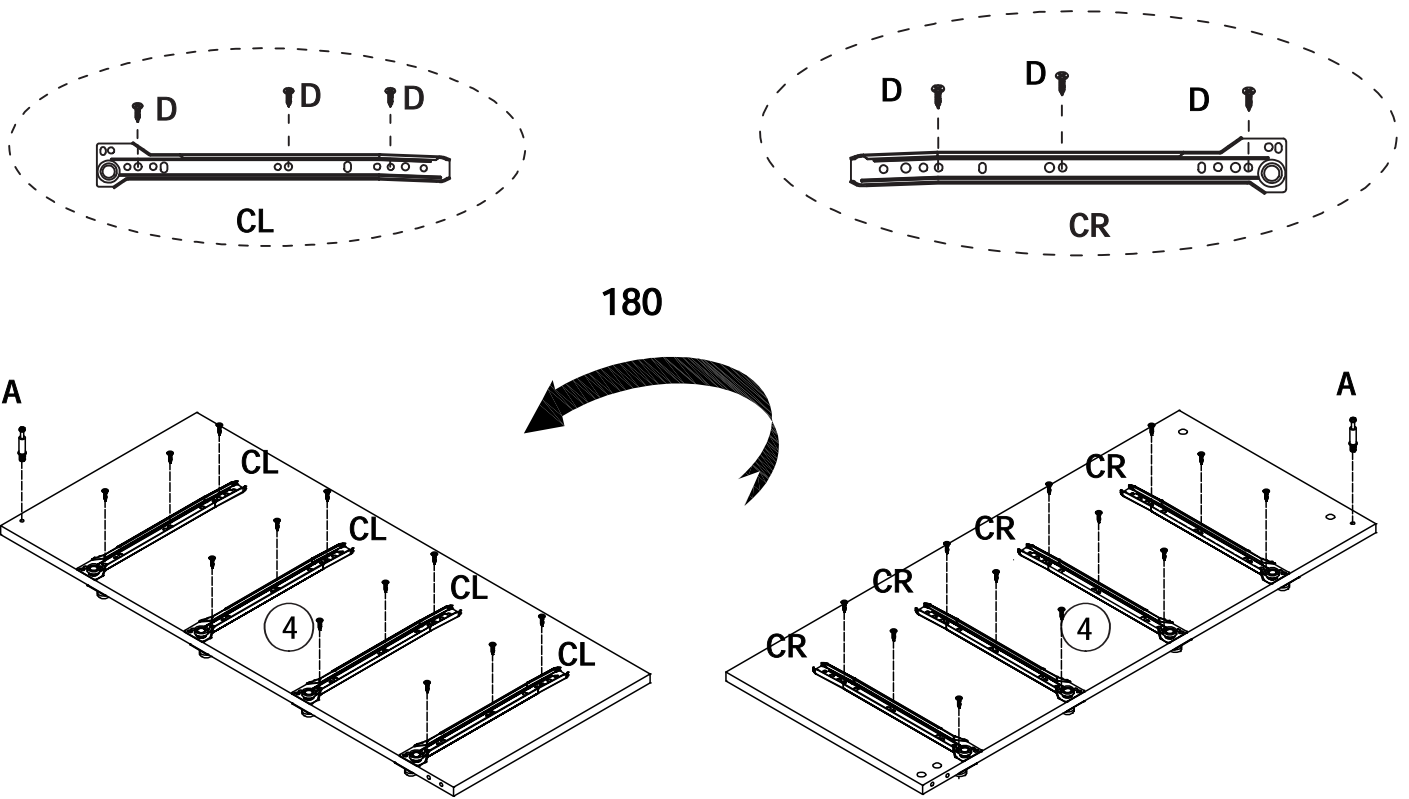
The installation position is as shown in the figure below



Step 3

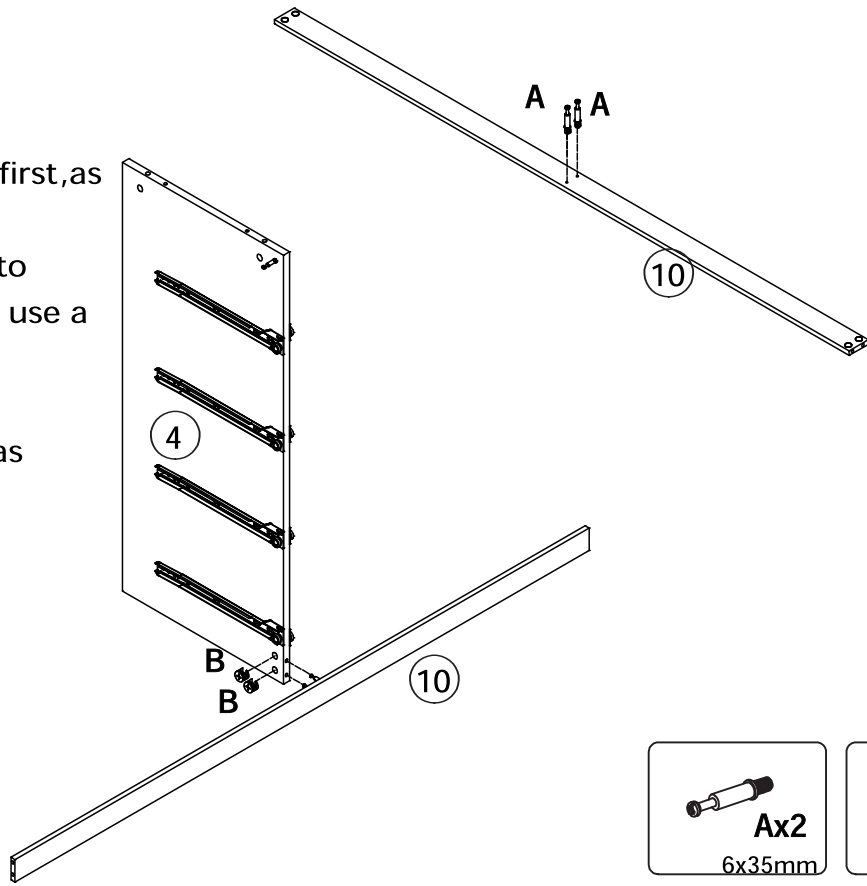


Lock the screw (A) to part ④ first, then use screws (D) to install guide rail (CL) & (CR) on both sides of the part ④.
The installation position is as shown in the figure below.



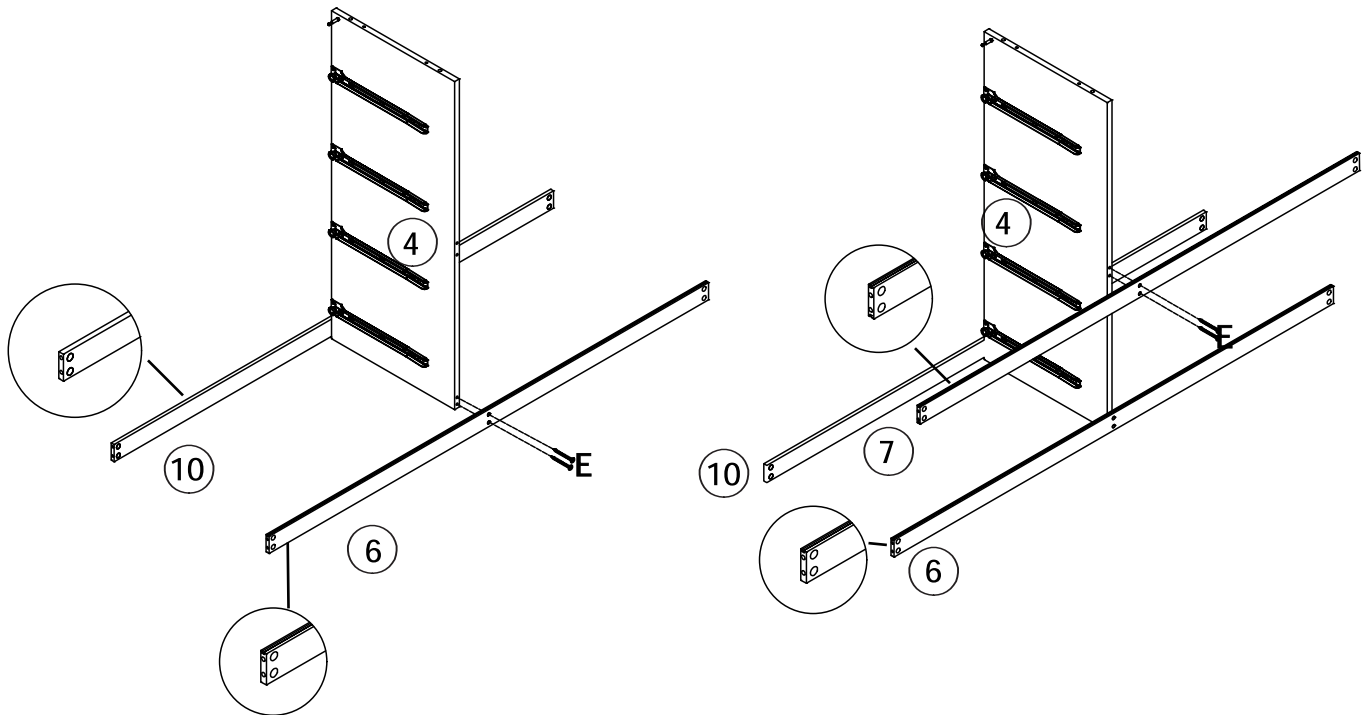
Step 4

Lock the screw (A) to part ⑩ first, as assemble part ④ and part ⑩, then put the eccentric (B) into the corresponding hole and use a screwdriver to turn it clockwise to tighten. The installation position is as shown in the figure beside.

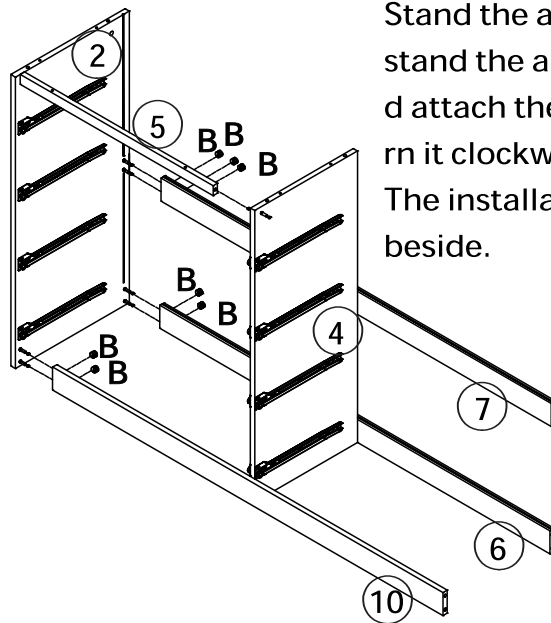
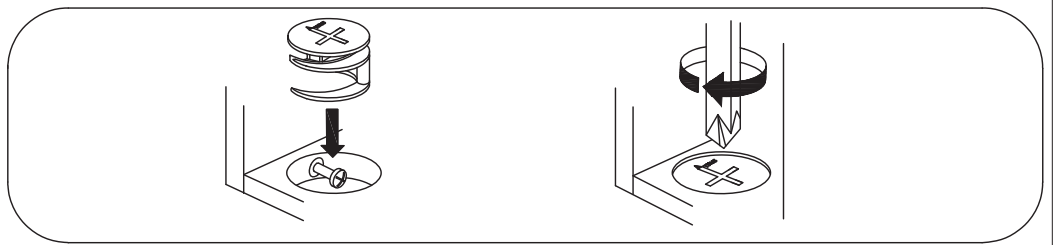


Step 5

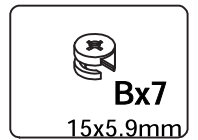
First, install the part ⑥ and part ④ by using the screws (E), then, install the part ⑦ and part ④ by using the screws (E). The installation position is as shown below.



Step 6

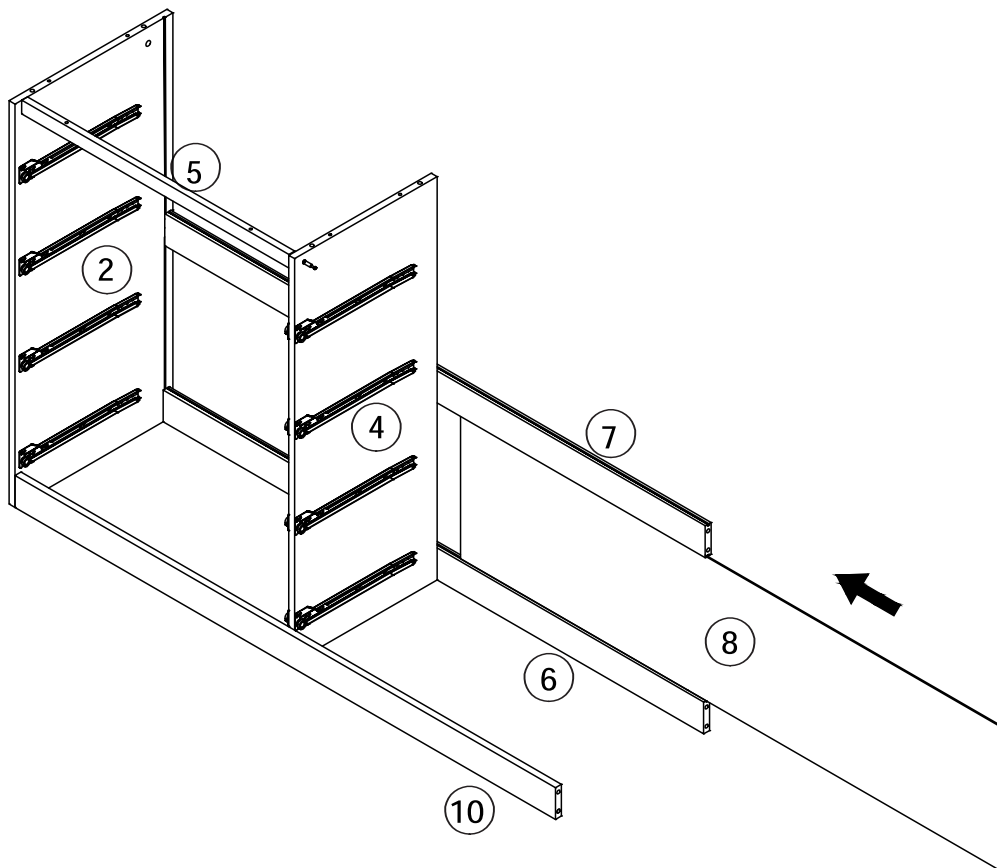


Stand the assembled unit ②⑤ upright, stand the assembled unit ④⑥⑦⑩ upright, and attach these two units with eccentric (B), turn it clockwise to tighten. The installation position is as shown beside.

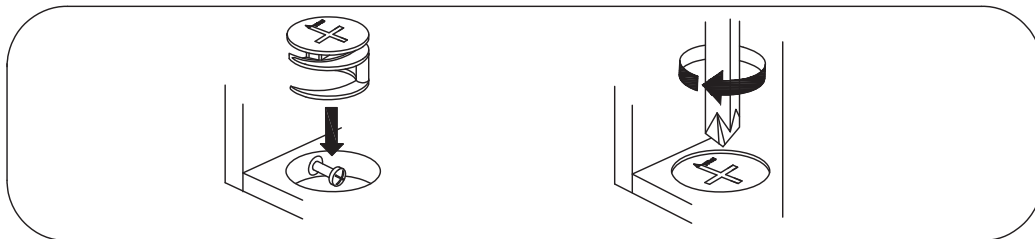


Step 7

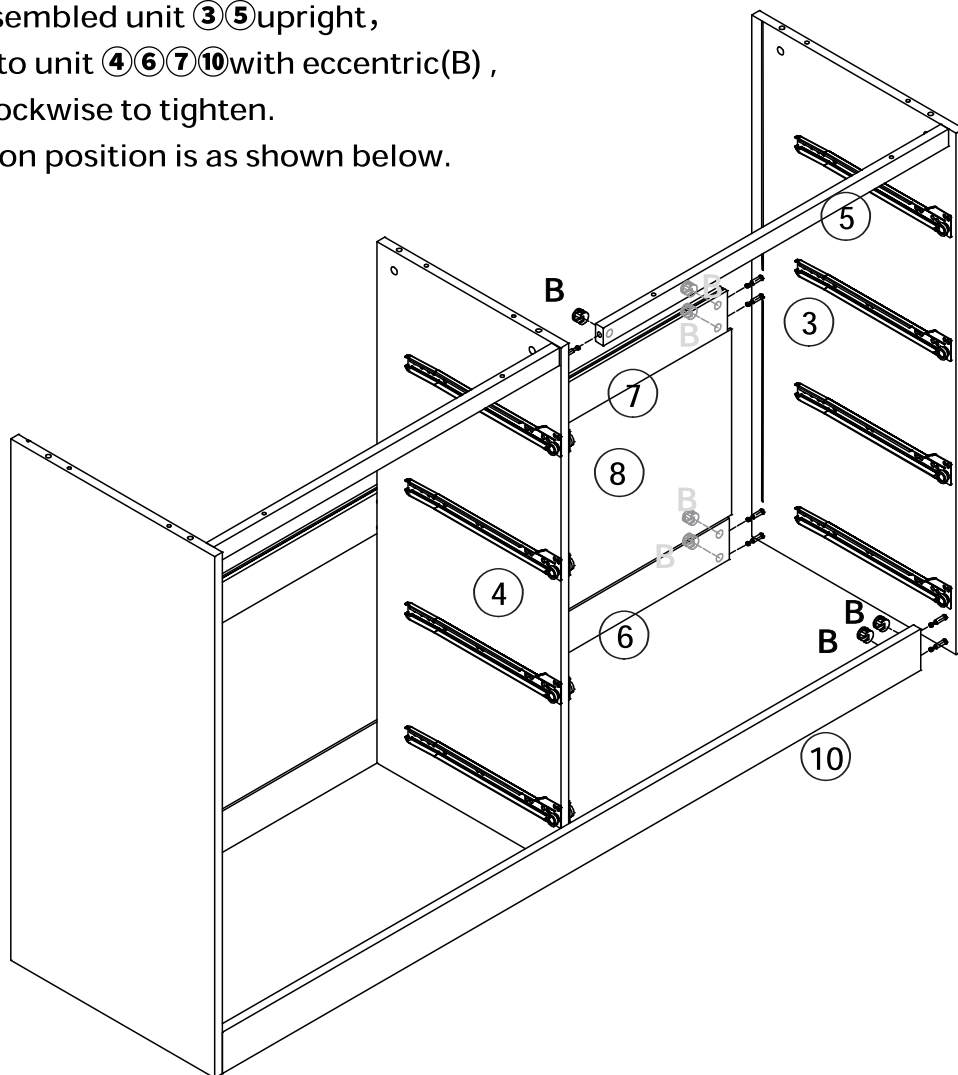
Insert part ⑧ along the slot, as picture shown below



Step 8

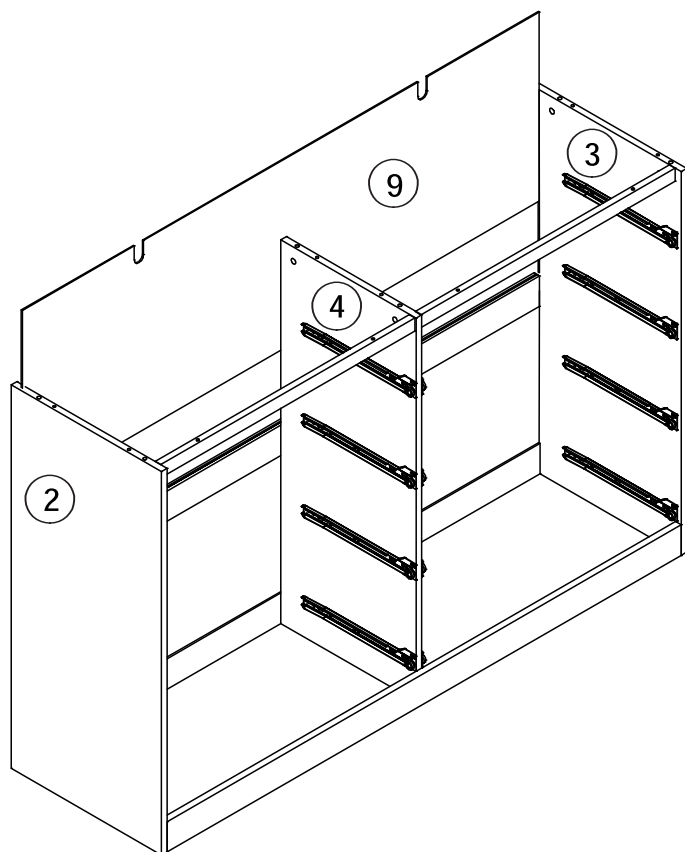


Stand the assembled unit ③⑤ upright,
and install it to unit ④⑥⑦⑩ with eccentric(B) ,
and turn it clockwise to tighten.
The installation position is as shown below.



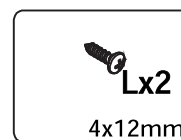
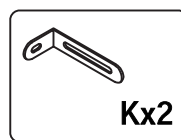
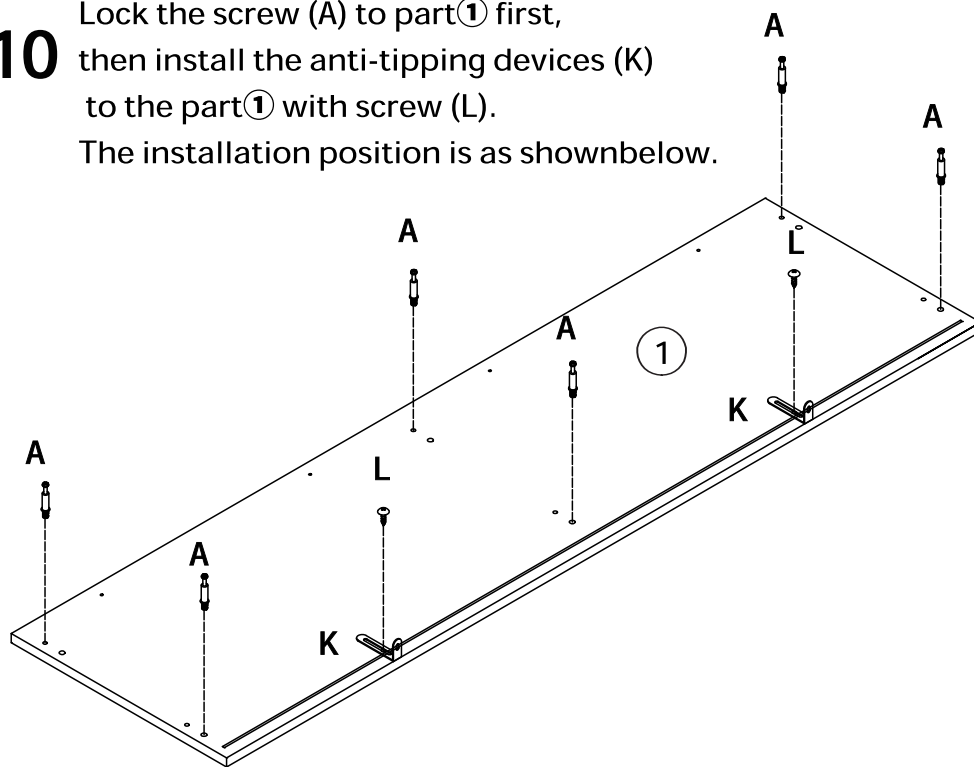
Step 9

Insert part ⑨ along the slot, as picture shown below

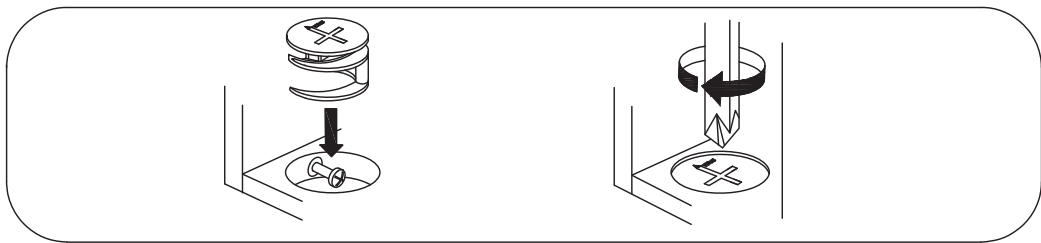


Step 10

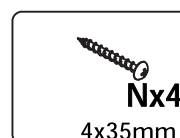
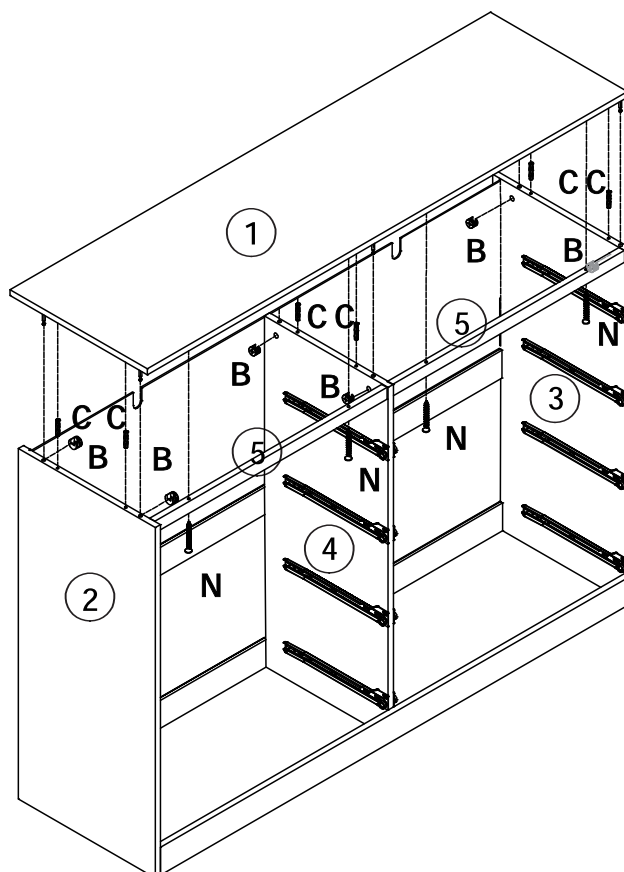
Lock the screw (A) to part ① first, then install the anti-tipping devices (K) to the part ① with screw (L). The installation position is as shown below.



Step 11



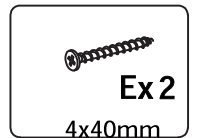
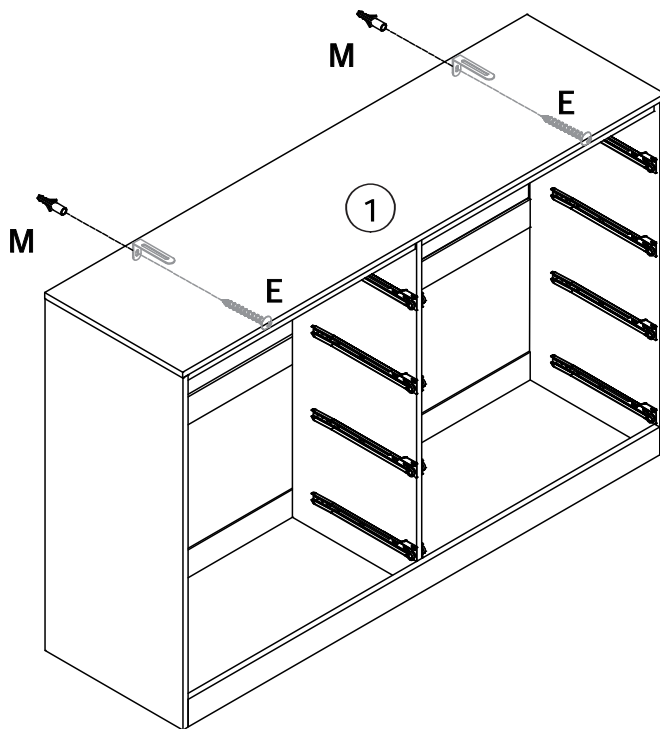
Insert the dowel (C) into parts ②③④, attach part ① to assembled unit with eccentric (B), turn it clockwise to tighten. Then install assembled unit and part ① together with screw (N). The installation position is as shown below.



Step 12

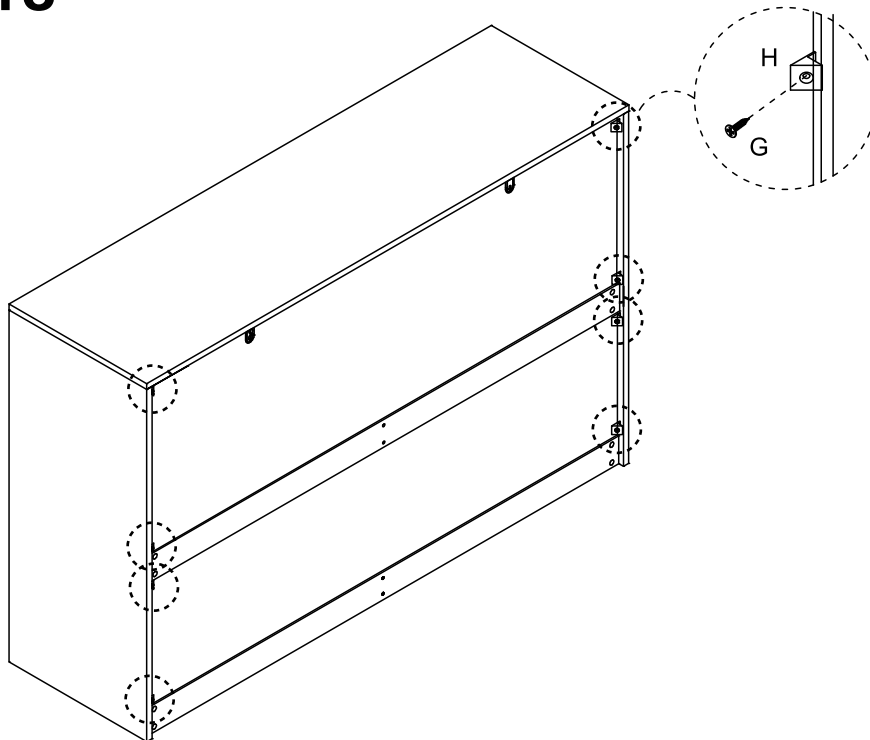
Drill small holes in the wall first, then put plastic nails(M) into the wall, and then use screws(E) to fix the cabinet to the wall.

The installation position is as shown in the figure below.

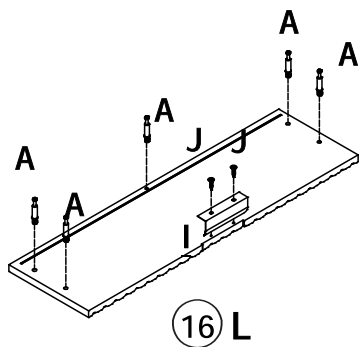


Step 13

Using the screw(G) lock component(H) to fasten the back plate buckle. The installation position is as shown in the figure below.



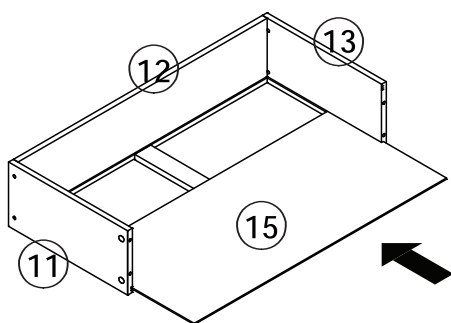
Step 14



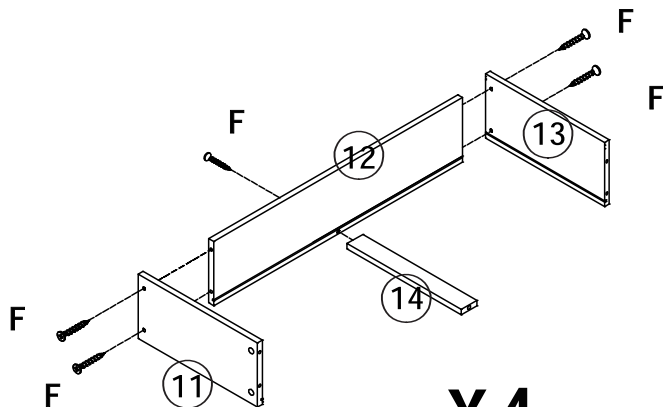
X 4

Screw (A) to part 16 first.
Then use the screw (J) to assemble handle (I) and part 16 together.

Insert part 15 along the slot, as shown.



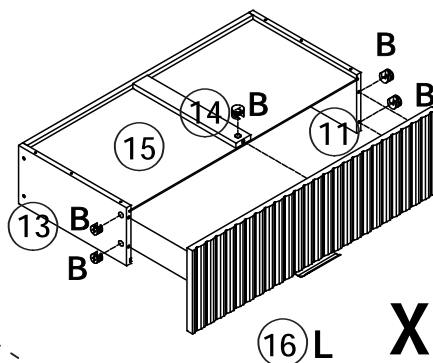
X 4



X 4

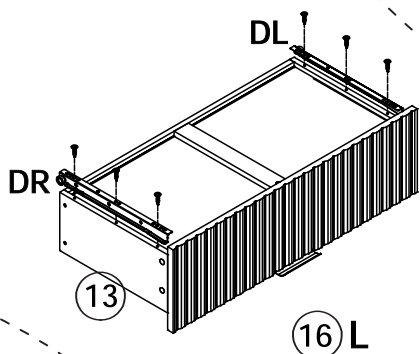
Screw the part 11 12 13 14 together with screws (F), as shown in above picture.

Then attach part 16 to assembled unit with eccentric (B). Turn it clockwise to tighten. As shown.











X 4

Use screws (D) to install guide rail (DR) on the part 13, and install guide rail (DL) on part 11. The installation position is as shown below.

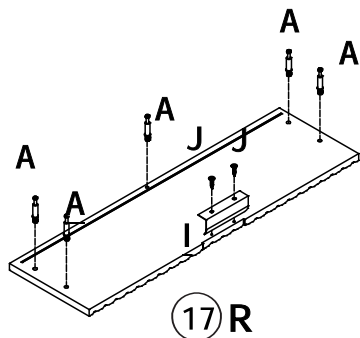


X 4

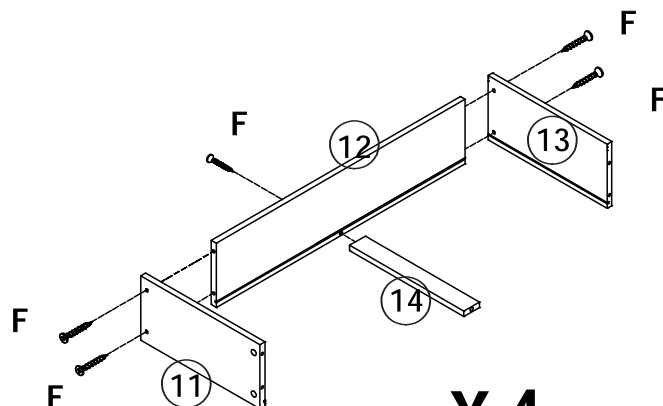
 Bx20 15x5.9mm	 Fx20 4x30mm	 Ix4	 Jx8 3.5x12mm
 DLx4 300mm	 DRx4 300mm	 Ax20 6x35mm	 Dx24 3.5x12mm

Step 15

Screw (A) to part 17 first.
Then use the screw (J) to assemble handle(I) and part 17 together .

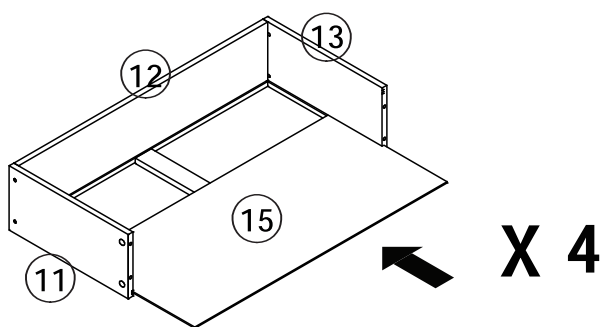


X 4



X 4

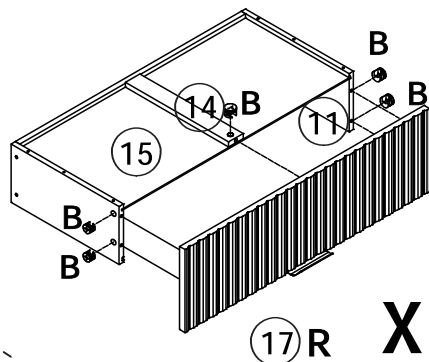
Insert part 15 along the slot, as shown .



X 4

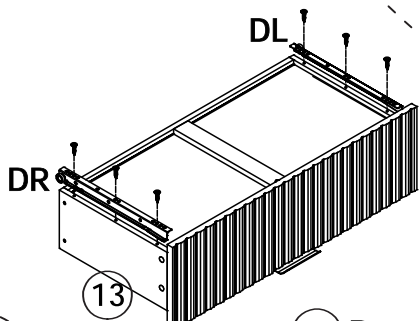
Screw the part 11 12 13 14 together with screws (F), as shown in above picture.

Then attach part 17 to assembled unit with eccentric(B). Turn it clockwise to tighten. As shown below.

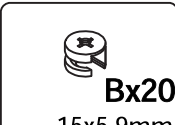


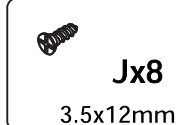






X 4

Use screws (D) to install guide rail (DR) on the part 13, and install guide rail (DL) on part 11.
The installation position is as shown below.



X 4

 Bx20 15x5.9mm	 Fx20 4x30mm	 lx4	 Jx8 3.5x12mm
 DLx4 300mm	 DRx4 300mm	 Ax20 6x35mm	 Dx24 3.5x12mm

Step 16

