
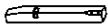




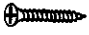


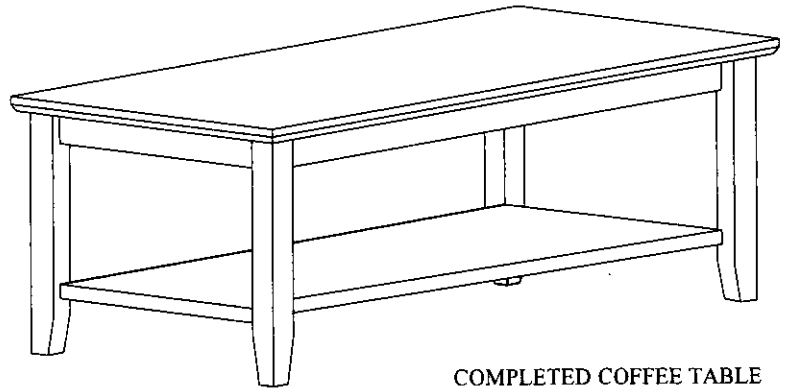


POUNDEX

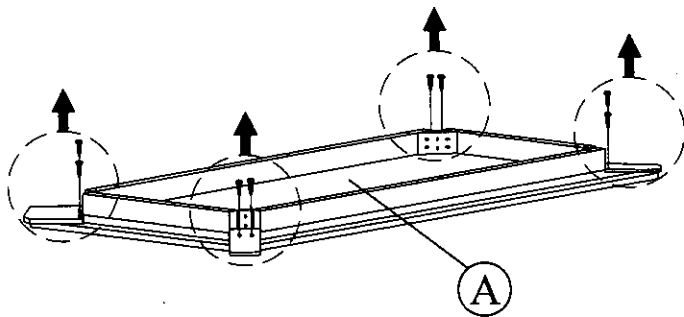
ASSEMBLY INSTRUCTIONS COFFEE TABLE ITEM NO: F6384

NO.	DESCRIPTION	DRAWING	QTY.
A	TABLE TOP		1 PC.
B	TABLE LEG		4 PCS.
C	SHELF		1 PC.
D	50MM JCBC BOLT		8 PCS.
E	SPRING WASHER		8 PCS.
F	FLAT WASHER		8 PCS.
G	M4x38MM CB SCREW		4 PCS.
H	ALLEN KEY		1 PC.
I	ADJUSTABLE LEG		4 PCS.

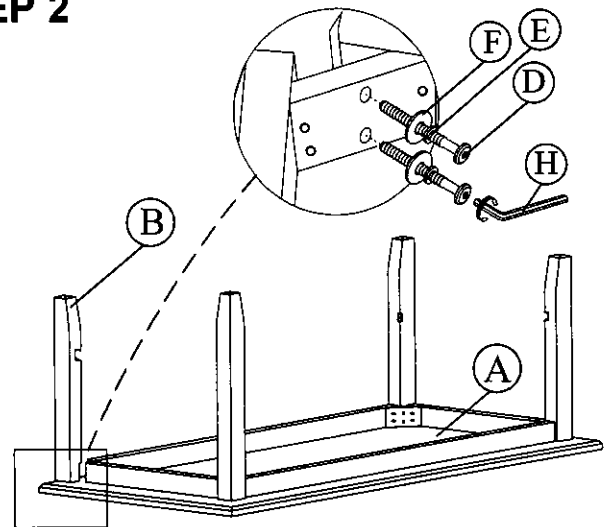


STEP 1

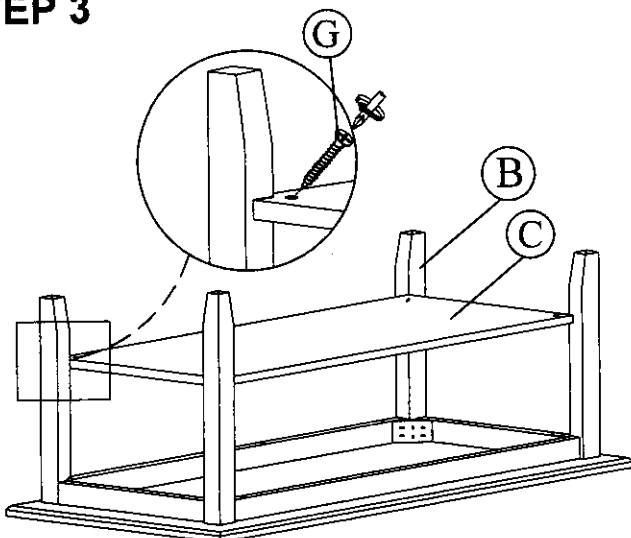
Remove the shipping blocks at four corners.



STEP 2



STEP 3



STEP 4

