



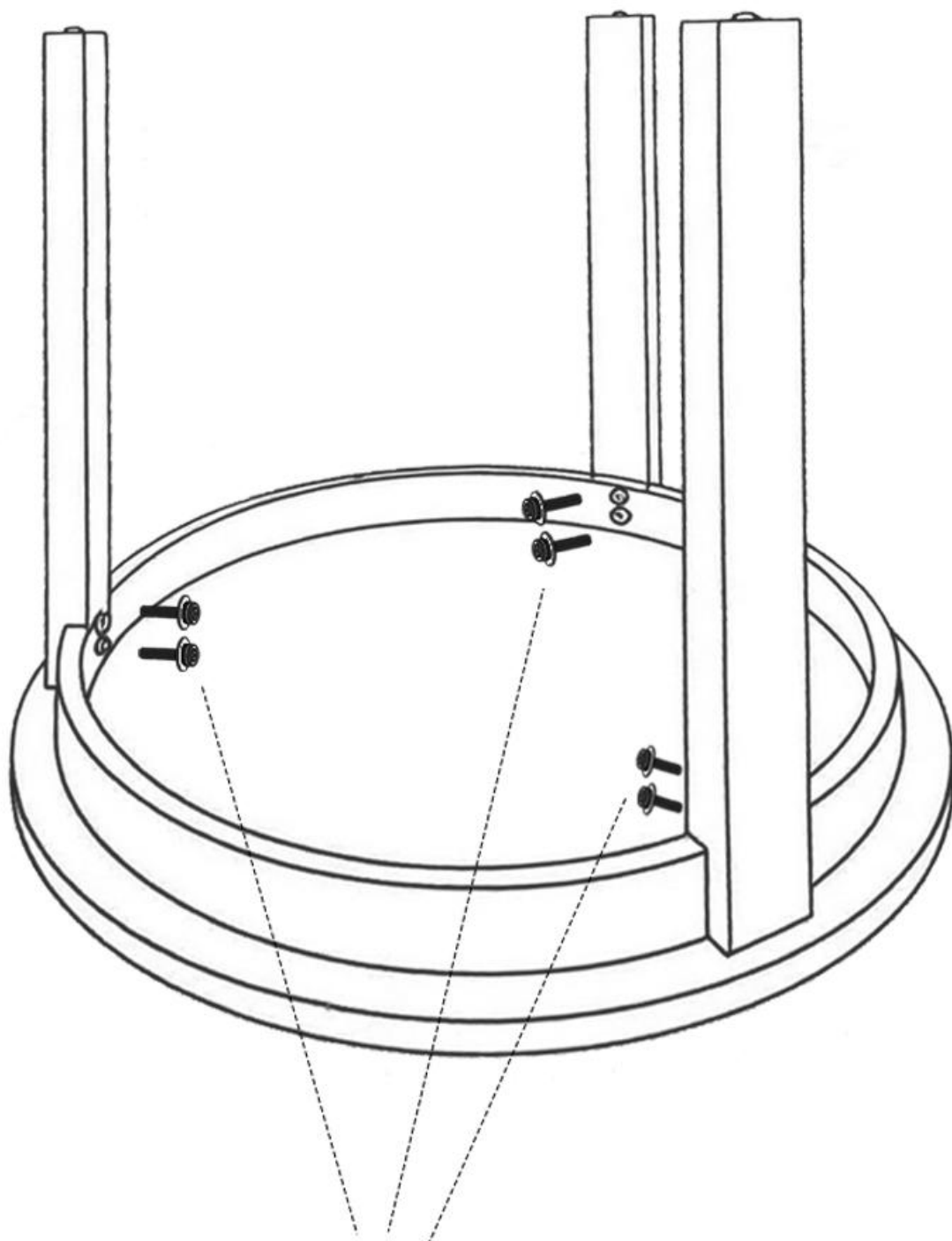
Wood Table



Online Support: LemodorFurniture@gmail.com

Assembly Instruction

1

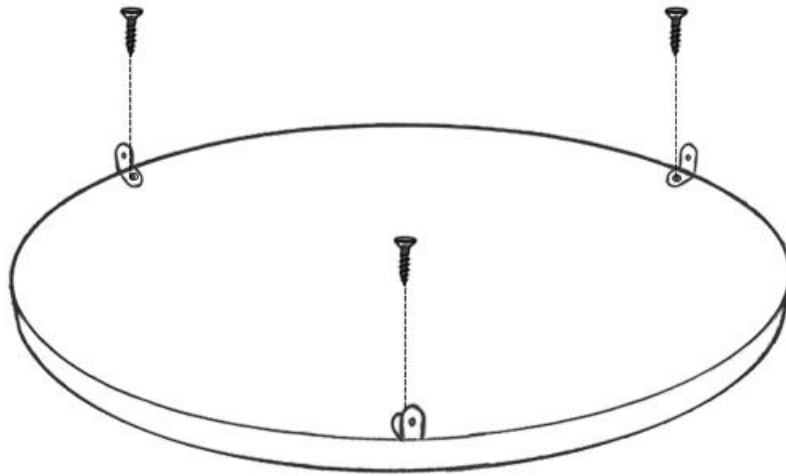


6 screws & 6 spacers

1. Using long screws and spacers, secure the 3 wooden legs tightly.

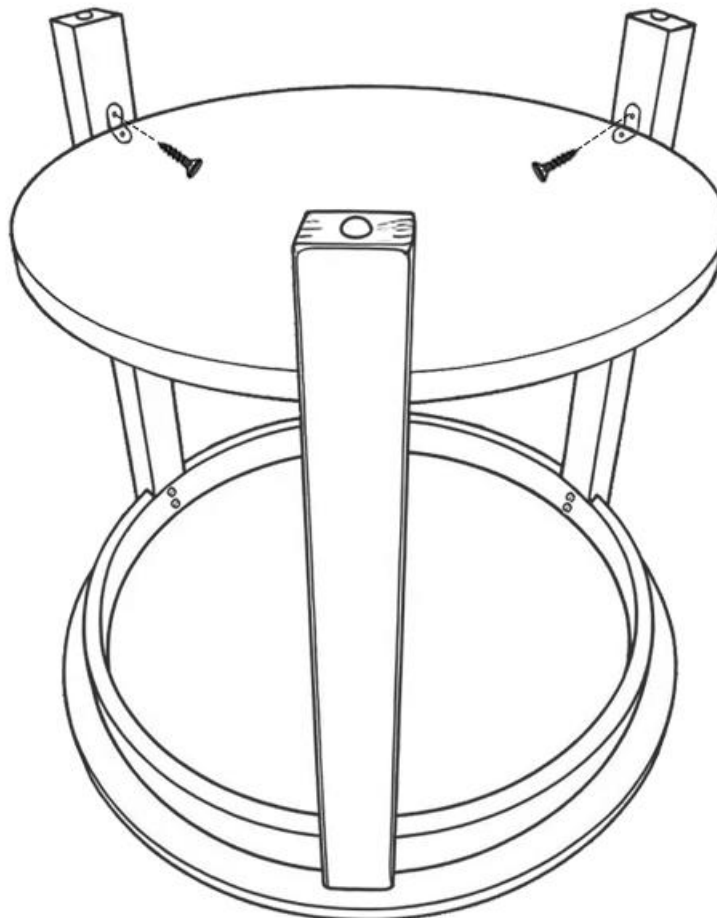
2

1. Start by attaching the 3 angle brackets with small screws to the pre-punched holes in the small round shelf as shown.



3

1. Invert the table as shown and attach the round shelf to the legs with small screws.

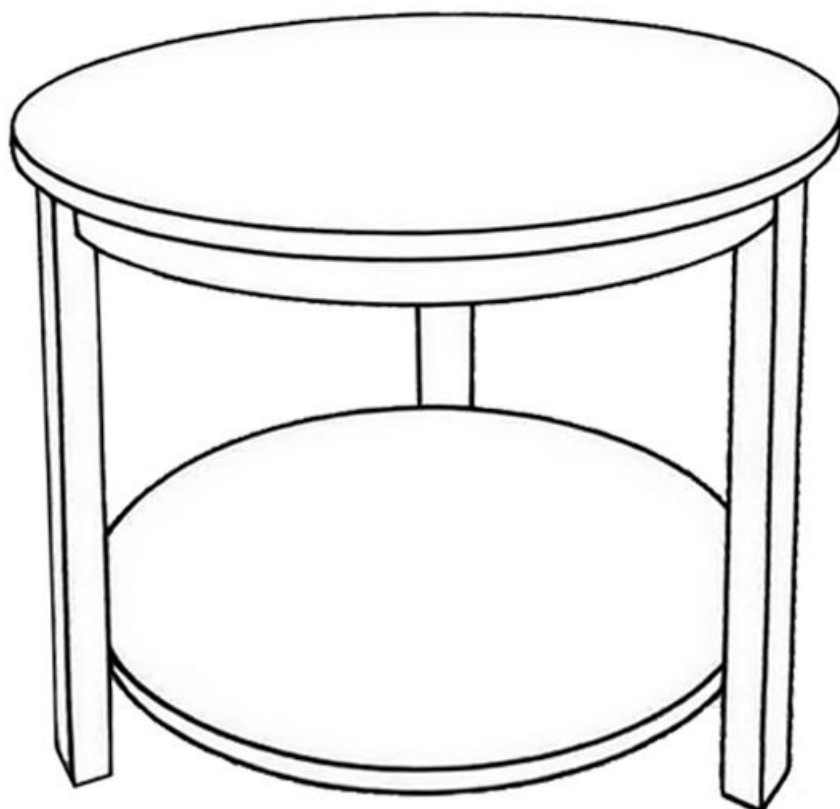


Assembly is complete.

If the product wobbles slightly, re-lock all screws.

Please feel free to contact us if you have any questions.

✉ LemodorFurniture@gmail.com



Assembly Video