

ASSEMBLY INSTRUCTIONS



REVISED 0: 04/01/2025

SOFA

ASSEMBLY INSTRUCTIONS

ASSEMBLY TIPS:

1. Remove hardware from box and sort by size.
2. Please check to see that all hardware and parts are present prior to start of assembly.
3. Please follow attached instructions in the same sequence as numbered to assure fast and easy assembly.



WARNING!

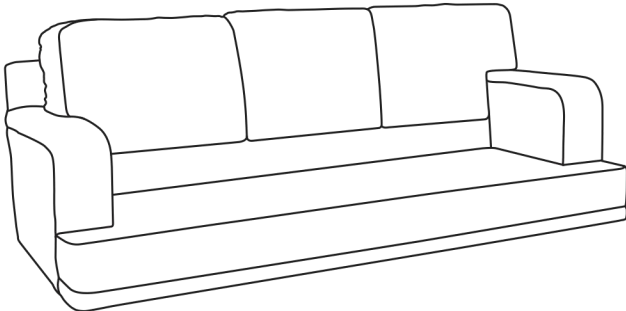
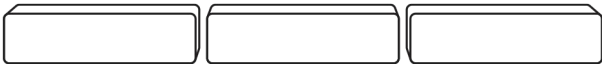



1. Don't attempt to repair or modify parts that are broken or defective. Please contact the store immediately.
2. This product is for home use only and not intended for commercial establishments.



ASSEMBLY TIME

15
MINUTES

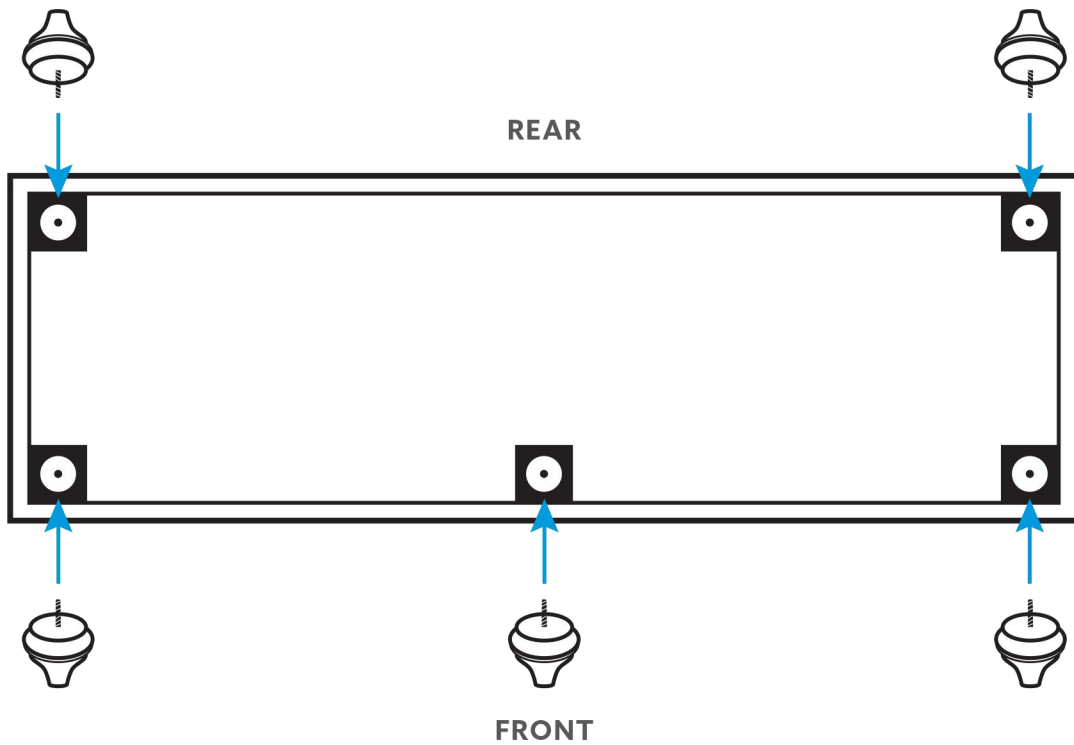
PARTS IDENTIFICATION

	PART NAME	FIGURE	QUANTITY
A	SOFA BASE	 <p><i>Please note back cushions should already be attached to sofa base.</i></p>	1 PC
B	SEAT CUSHION		3 PCS
C	ACCENT PILLOW		4 PCS
D	KIDNEY PILLOW		1 PC
E	LEG		5 PCS

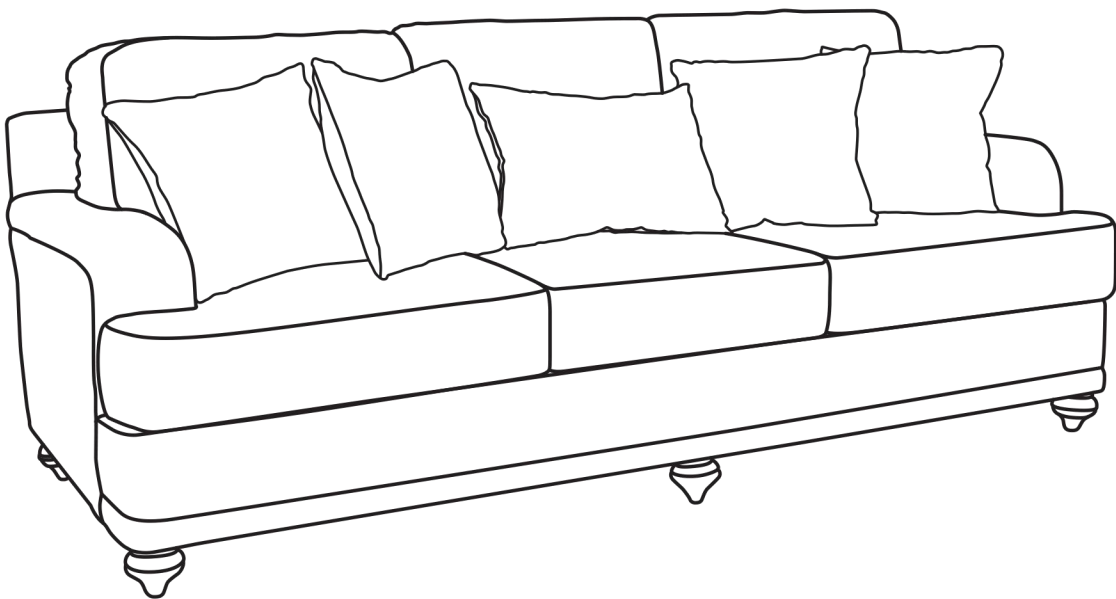
SOFA

ASSEMBLY INSTRUCTIONS

STEP 1 *Install front and rear legs on underside of sofa base.*

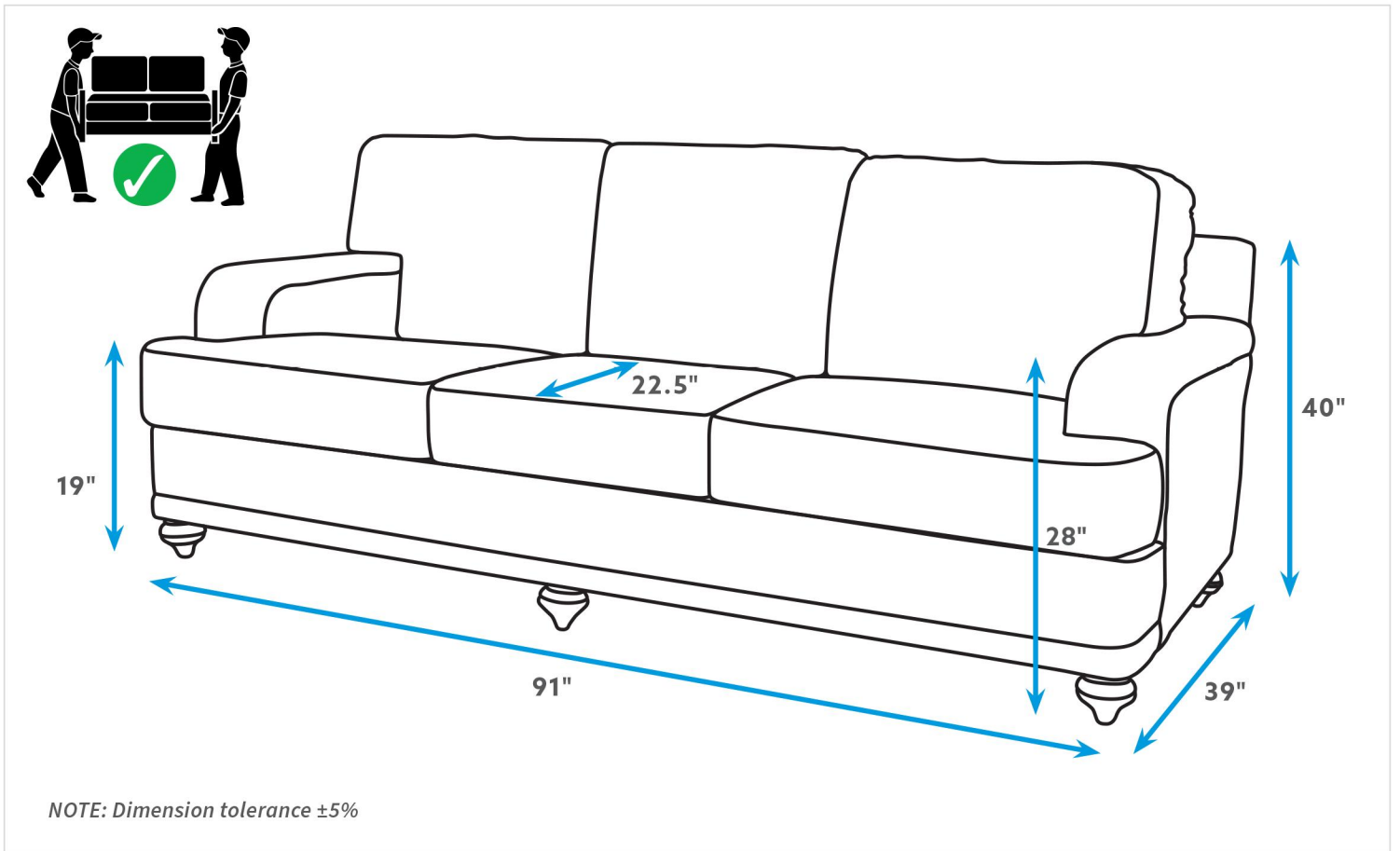


STEP 2 COMPLETE



SOFA

DIMENSIONS



ASSEMBLY INSTRUCTIONS



REVISED 0: 04/01/2025

LOVESEAT

LOVESEAT

ASSEMBLY INSTRUCTIONS

ASSEMBLY TIPS:

1. Remove hardware from box and sort by size.
2. Please check to see that all hardware and parts are present prior to start of assembly.
3. Please follow attached instructions in the same sequence as numbered to assure fast and easy assembly.



WARNING!

1. Don't attempt to repair or modify parts that are broken or defective. Please contact the store immediately.
2. This product is for home use only and not intended for commercial establishments.



ASSEMBLY TIME
15
MINUTES

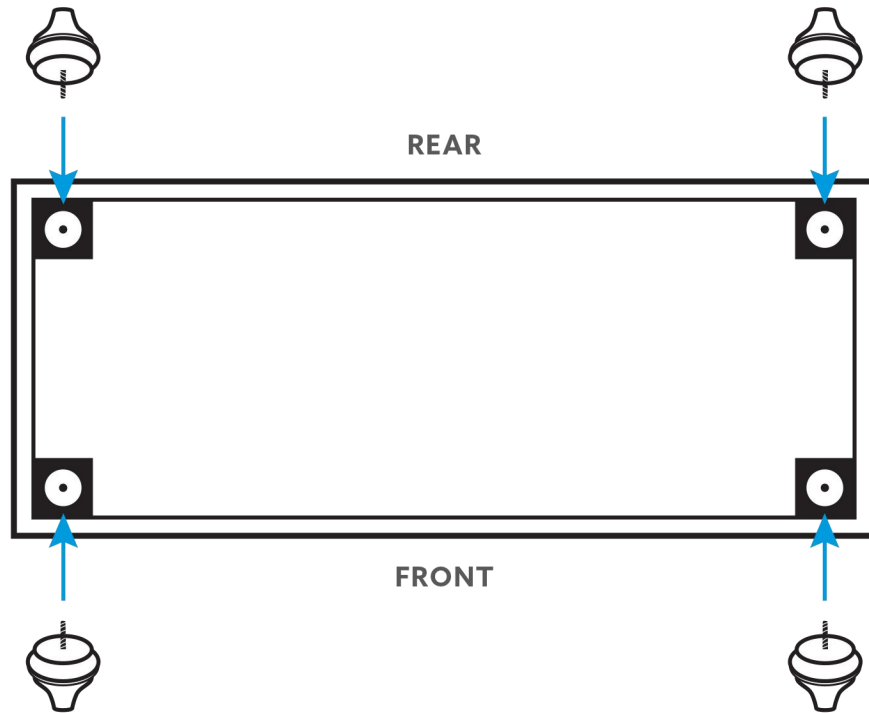
PARTS IDENTIFICATION

	PART NAME	FIGURE	QUANTITY
A	LOVESEAT BASE	<p><i>Please note back cushions should already be attached to loveseat base.</i></p>	1 PC
B	SEAT CUSHION		2 PCS
C	ACCENT PILLOW		2 PCS
D	LEG		4 PCS

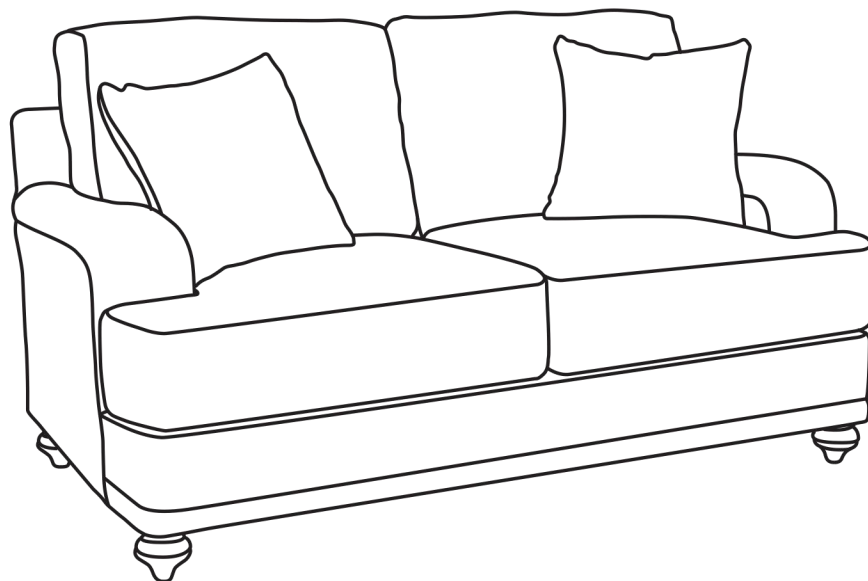
LOVESEAT

ASSEMBLY INSTRUCTIONS

STEP 1 *Install front and rear legs on underside of loveseat base.*

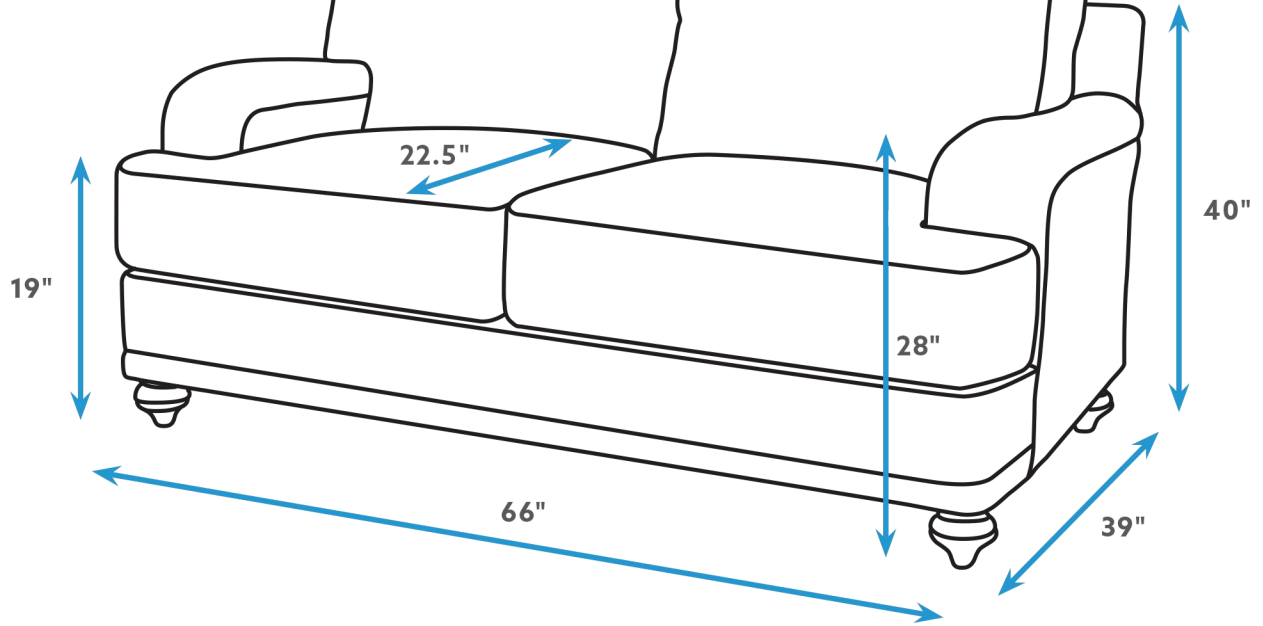


STEP 2 **COMPLETE**



LOVESEAT

DIMENSIONS



NOTE: Dimension tolerance $\pm 5\%$

ASSEMBLY INSTRUCTIONS



REVISED 0: 04/01/2025

ACCENT CHAIR

ACCENT CHAIR

ASSEMBLY INSTRUCTIONS

ASSEMBLY TIPS:

1. Remove hardware from box and sort by size.
2. Please check to see that all hardware and parts are present prior to start of assembly.
3. Please follow attached instructions in the same sequence as numbered to assure fast and easy assembly.



WARNING!

1. Don't attempt to repair or modify parts that are broken or defective. Please contact the store immediately.
2. This product is for home use only and not intended for commercial establishments.

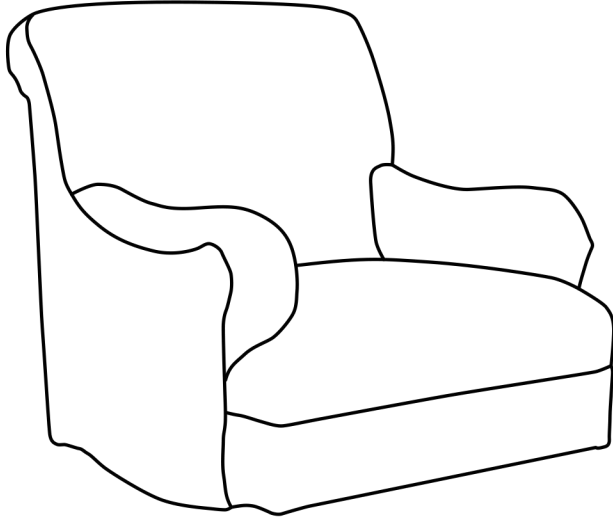



ASSEMBLY TIME

8

MINUTES

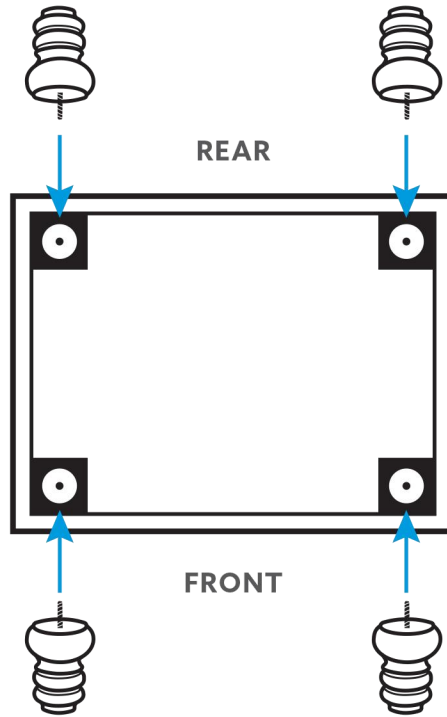
PARTS IDENTIFICATION

	PART NAME	FIGURE	QUANTITY
A	CHAIR BASE		1 PC
B	LEG		4 PCS

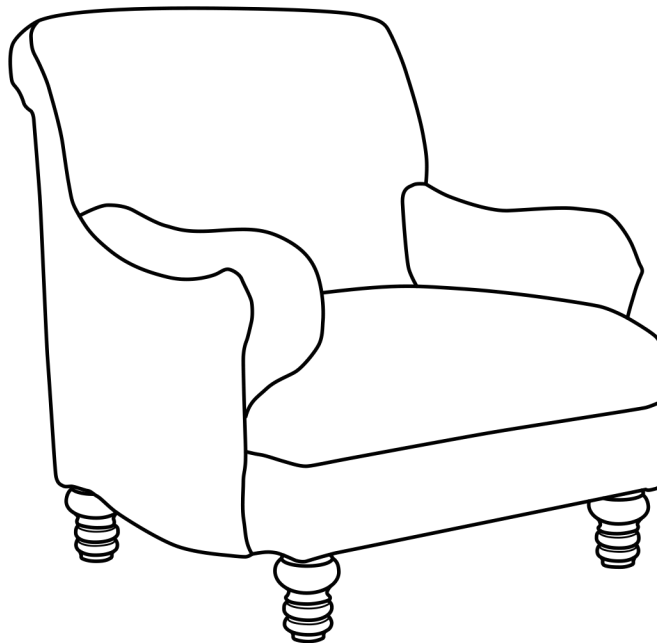
ACCENT CHAIR

ASSEMBLY INSTRUCTIONS

STEP 1 *Install front and rear legs on underside of chair base.*

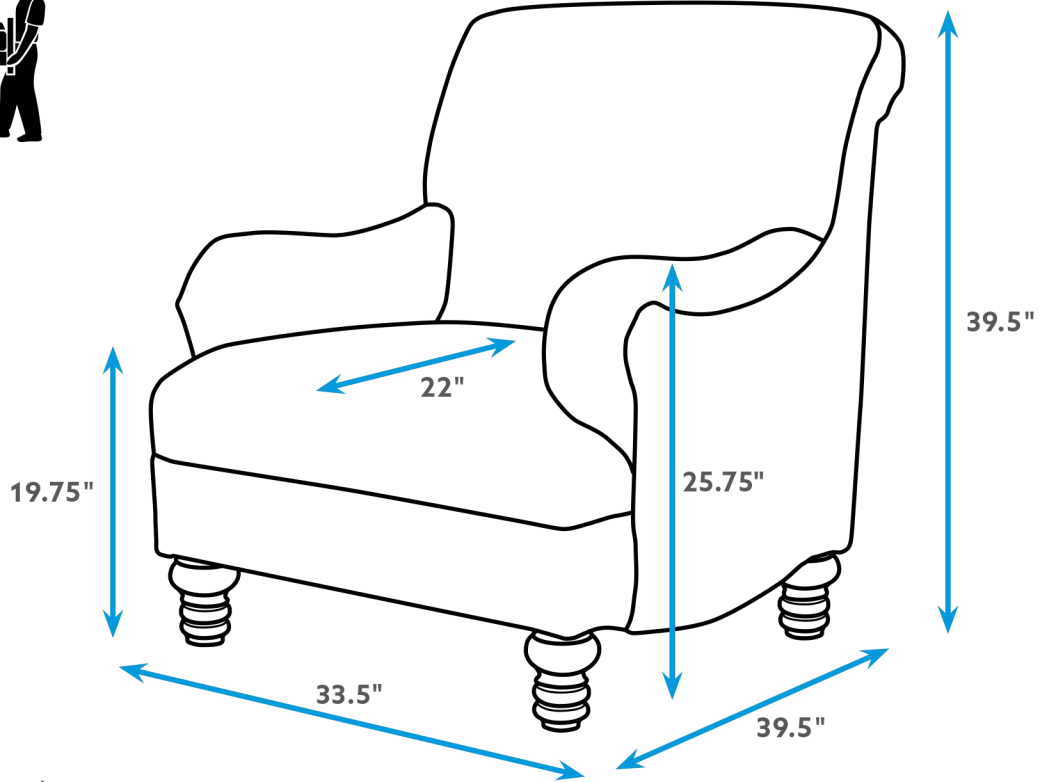


STEP 2 **COMPLETE**



ACCENT CHAIR

DIMENSIONS



NOTE: Dimension tolerance $\pm 5\%$