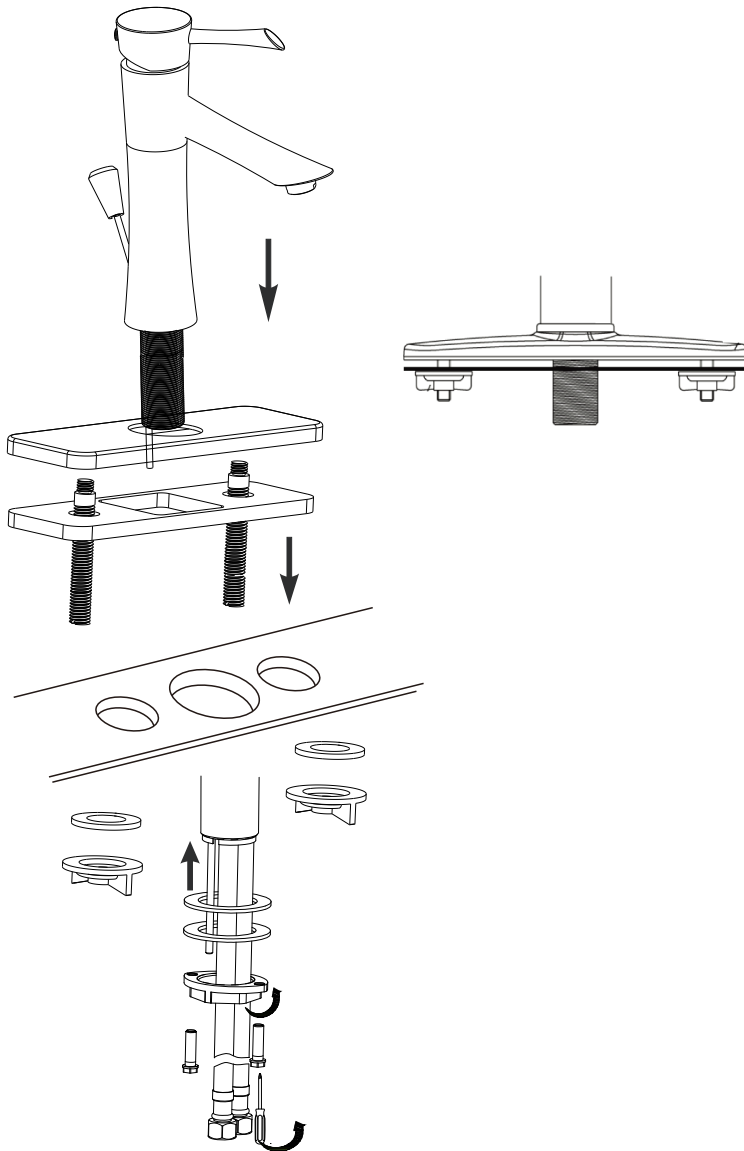
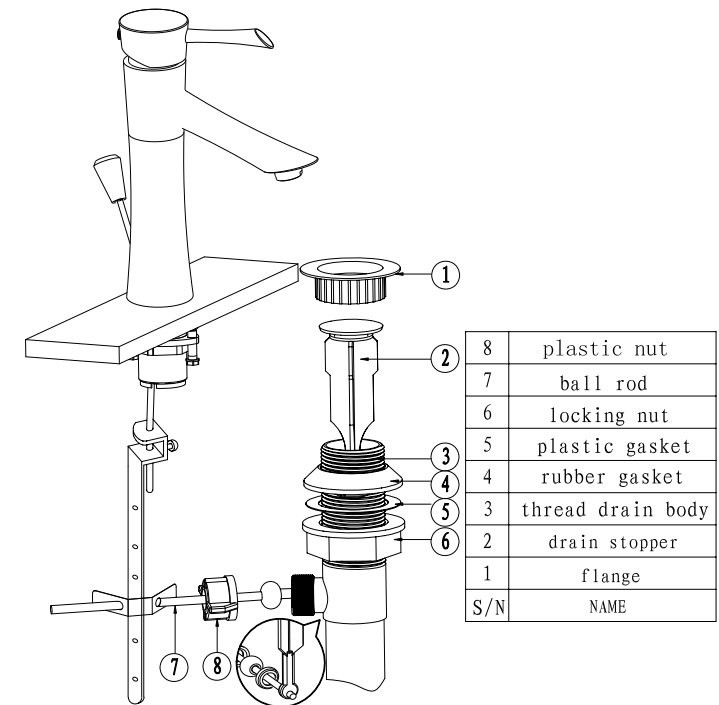


Maintenance

Please do the cleaning regularly to keep the shining surface of your faucet.



1. Tighten bolt below the decorative plate and match gasket. And then put them into the holes.
2. insert the faucet body on the sink through the hole, put on the rubber gasket and metal gasket in order, then lock the locking nut . and tight it with the screw.
3. Connect the flexible hose with the supply tube, left(red) for hot water, right (blue) for cold.



Bathroom Sink Faucet and Push Operated Pop-up Drain Installation

1. Put the thread drain body(3) through the sink from under, then insert the flange(1),and tight gasket(3)&(4) with locking nut(6).
2. As shown, place the drain stopper(2), then put the ball rod(7) into the ball rod opening and through the stopper hole, finally thread the plastic nut(8).