












Assembly Instructions

Caution: You must read this before you proceed

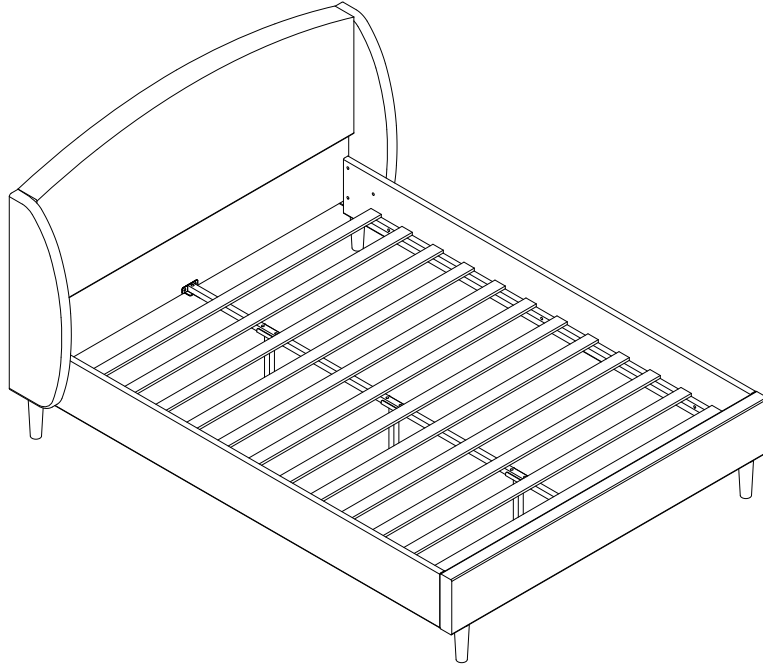
Care & Maintenance

-  ● Not for commercial use. For residential use only.
-  ● Furniture may scratch floors. We recommend using furniture pads to protect your floors.
-  ● Do not put hot items directly on furniture surface.
-  ● Do not clean furniture with harsh cleansers or polish.
-  ● Do not place furniture under direct sunlight.
-  ● Do not place furniture near heating or cooling vents.
-  ● Do not write on furniture without a padded barrier to protect the surface.
-  ● Do not place furniture outside . For indoor use only.
-  ● Stains may be removed with mild soap solution and damp cloth.
-  ● Children should not climb or jump on the furniture.
-  ● Dust and pick-up spills using a clean, non-colored, lint-free cloth.

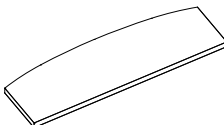



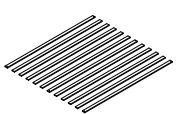
Please look in the box for hardware packs and legs.

Sets often ship in multiple boxes and may arrive a day or two apart.

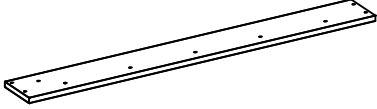

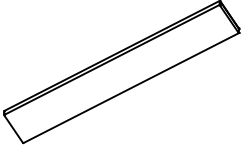




Bed







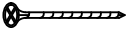

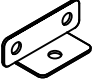
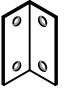

Part List

Label	Picture	Description	QTY
A		Head board	1
B		Side head board	1
C		Side head board	1
D		Bottom board	1
E		Slats	1

Part List

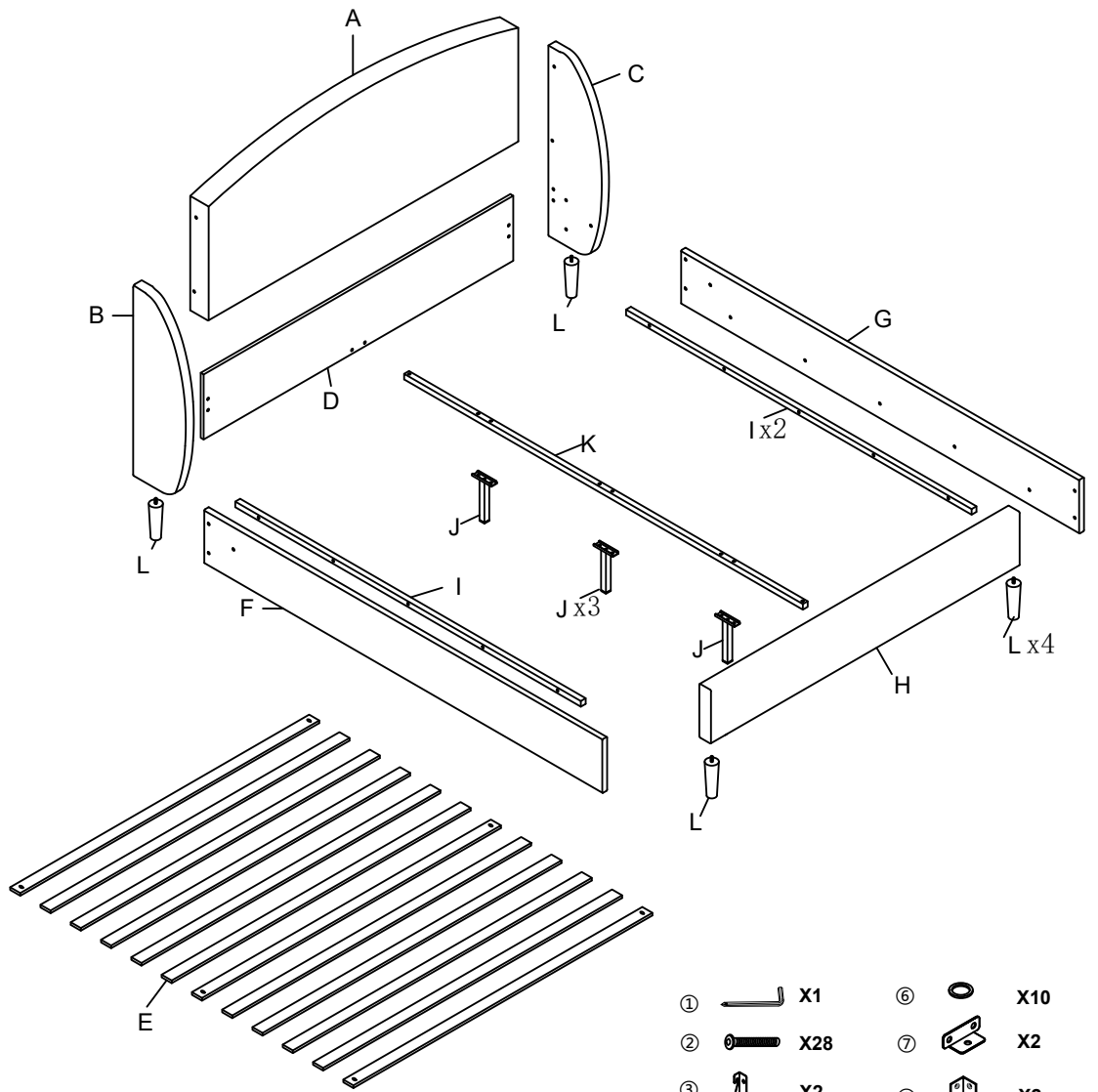
Label	Picture	Description	QTY
F		Side rail	1
G		Side rail	1
H		Foot board	1
I		Side rails support bar	2
J		Middle support leg	3
K		Center support bar	1
L		Support leg	4

Hardware

Label	Picture	Description	QTY
①		Allen Wrench(M5)	1
②		Bolts (M8x45mm)	28
③		Hinge	2
④		Bolts (M8x18mm)	20
⑤		Nails (M4X30mm)	6
⑥		Washer	10
⑦		Center support bar fittings	2
⑧		"7" Connector	2
⑨		Twist gasket	7

Assembly Preparation

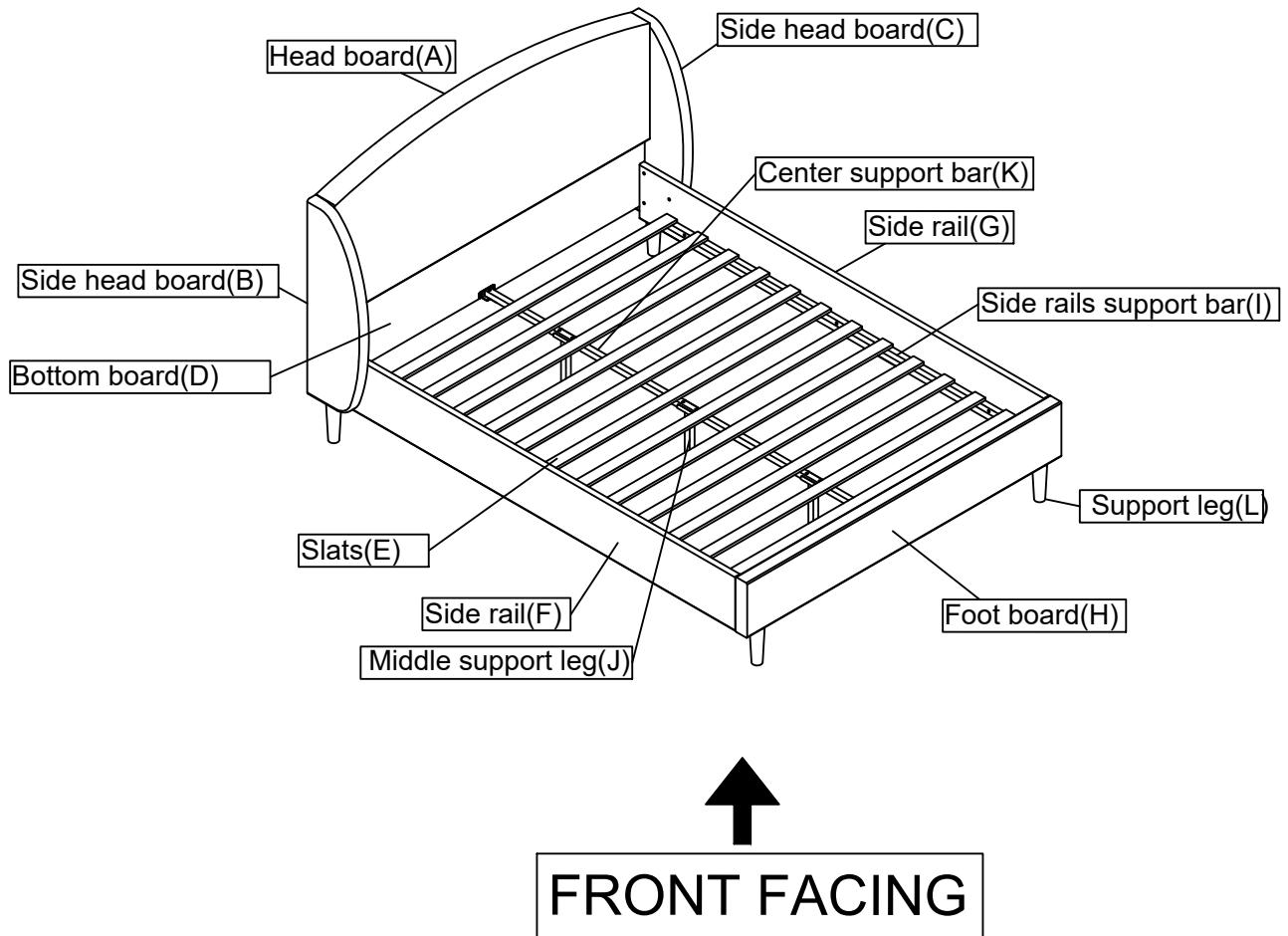
Before Beginning Assembly:



- | | | | | | |
|---|--|-----|---|--|-----|
| ① | | X1 | ⑥ | | X10 |
| ② | | X28 | ⑦ | | X2 |
| ③ | | X2 | ⑧ | | X2 |
| ④ | | X20 | ⑨ | | X7 |
| ⑤ | | X6 | | | |

Assembly Steps

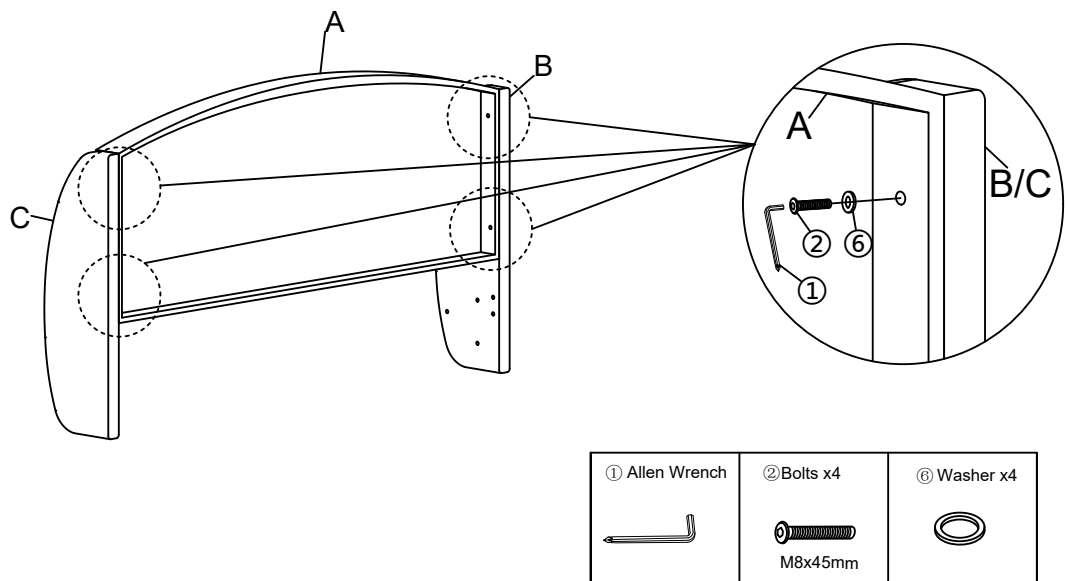
OVERVIEW



This Bed have multiple parts and may require up to 60 minutes to assemble. To give you an overview of the Bed parts, the above picture is to help you put the various parts into perspective. Please read through the instructions below to familiarise yourself with the parts and steps before assembly.

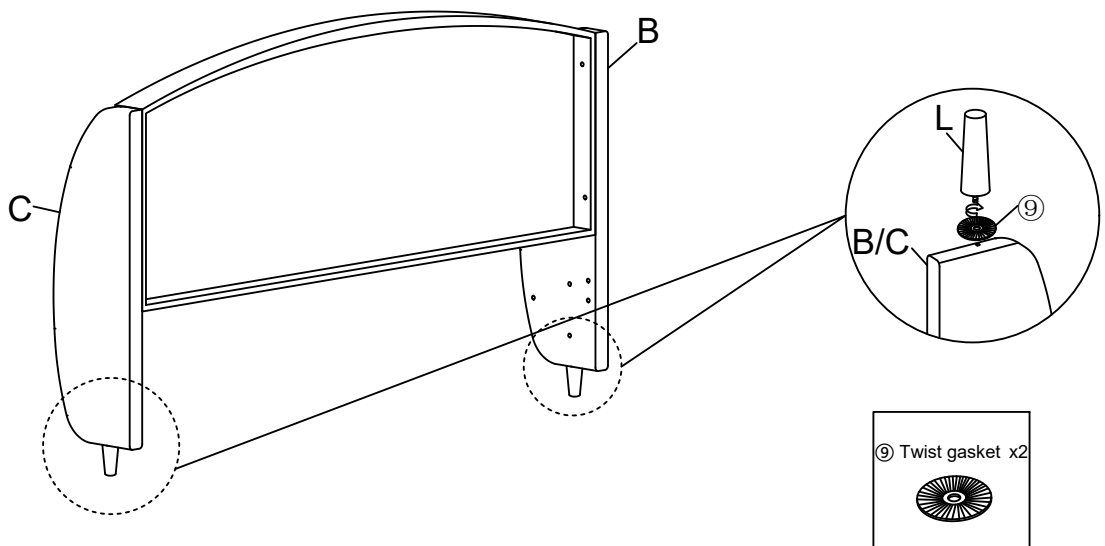
Note: It is recommended that you have an adult partner to assist during the entire assembly process.

Step 1



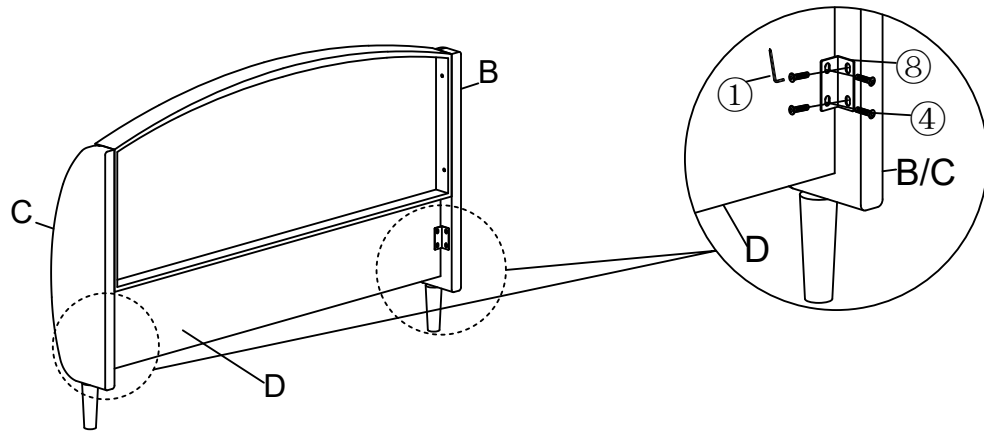
Attach the Head board A to the Side head board B and Side head board C with Bolts ② and Washer ⑥ by using Allen Wrench ①.




Step 2



Attach the Support leg L to the Side head board B and C with Twist gasket ⑨.

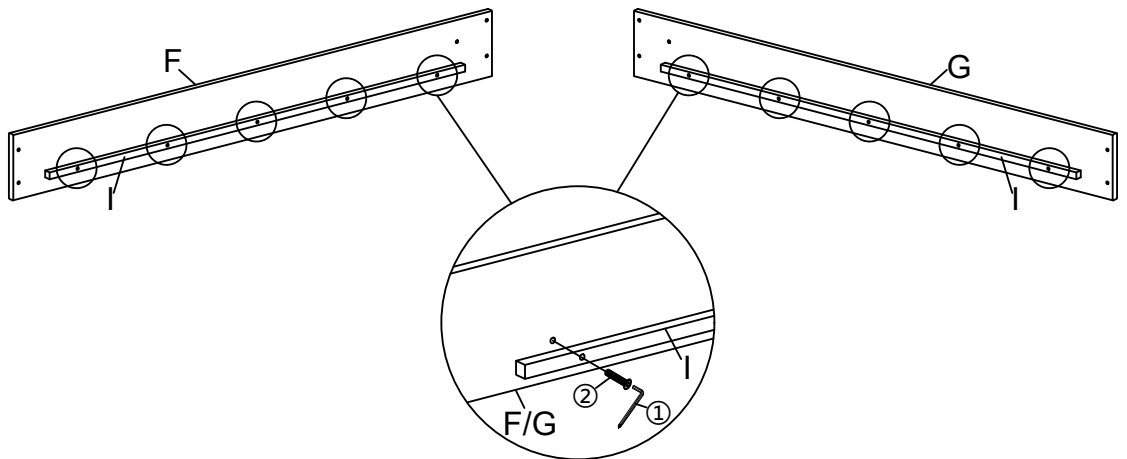
Step 3





① Allen Wrench 	④ Bolts x8 M8x18mm 	⑧ "7" Connector x2 
------------------------------------------------------------------------------------------------------	--------------------------------------------------------------------------------------------------------------	-----------------------------------------------------------------------------------------------------------

Attach the Bottom board D to the Side head board B and C with Bolts ④ and "7" Connector ⑧ by using Allen Wrench ①.

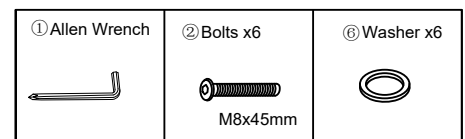
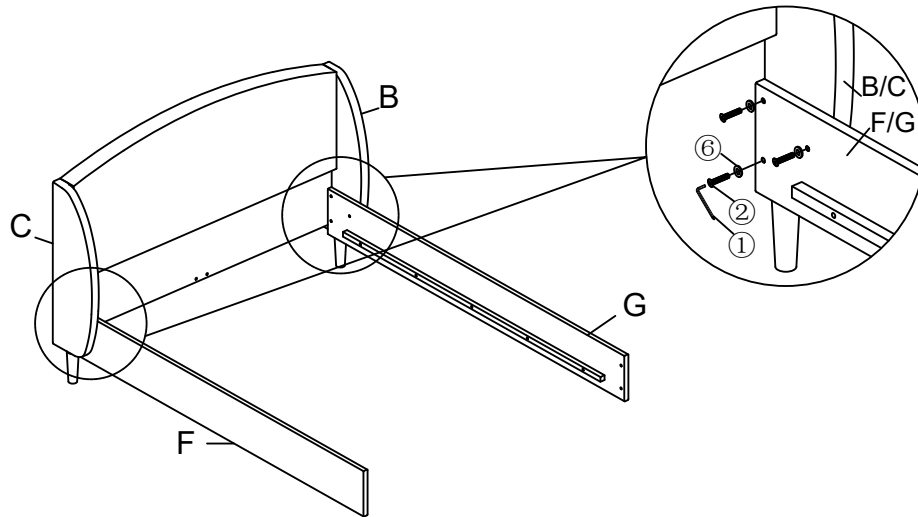
Step 4



① Allen Wrench 	② Bolts x10 M8x45mm 
---------------------------------------------------------------------------------------------------------	-----------------------------------------------------------------------------------------------------------------

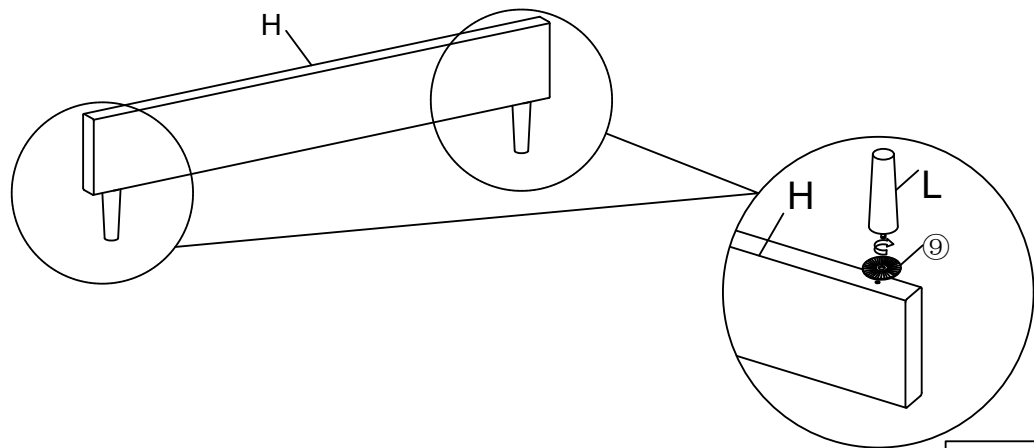
Attach the Side rails support bar I to the Side rail F and G with Bolts ② by using Allen Wrench ①.

Step 5



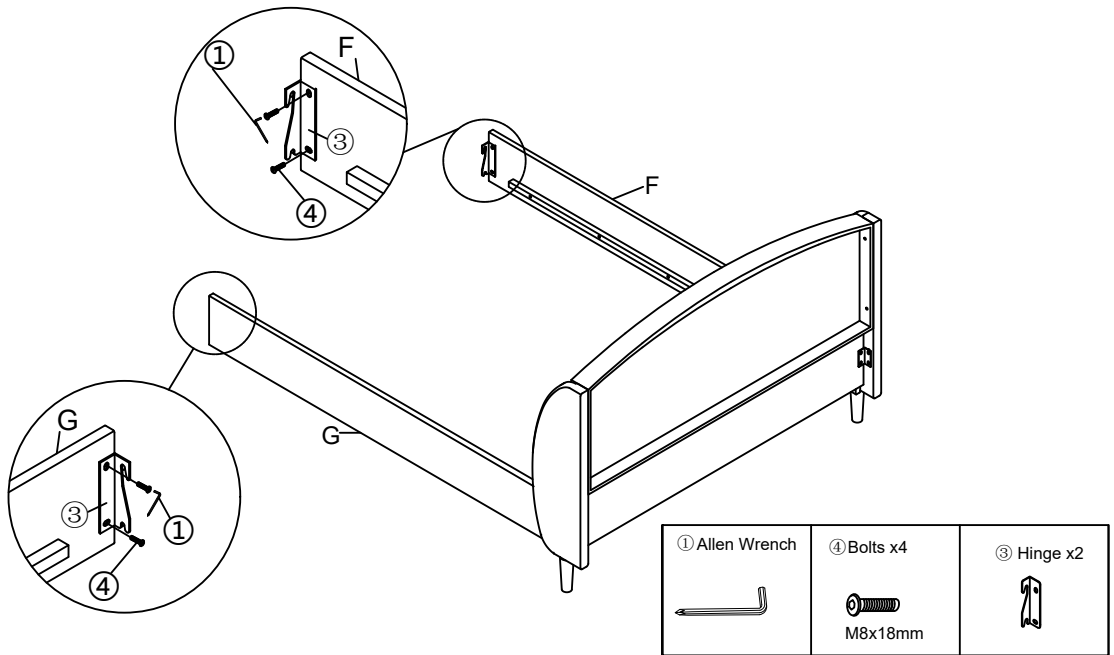
Attach the Side rail F and G to the Side head board B and C with Bolts ② and Washer ⑥ by using Allen Wrench ①.

Step 6



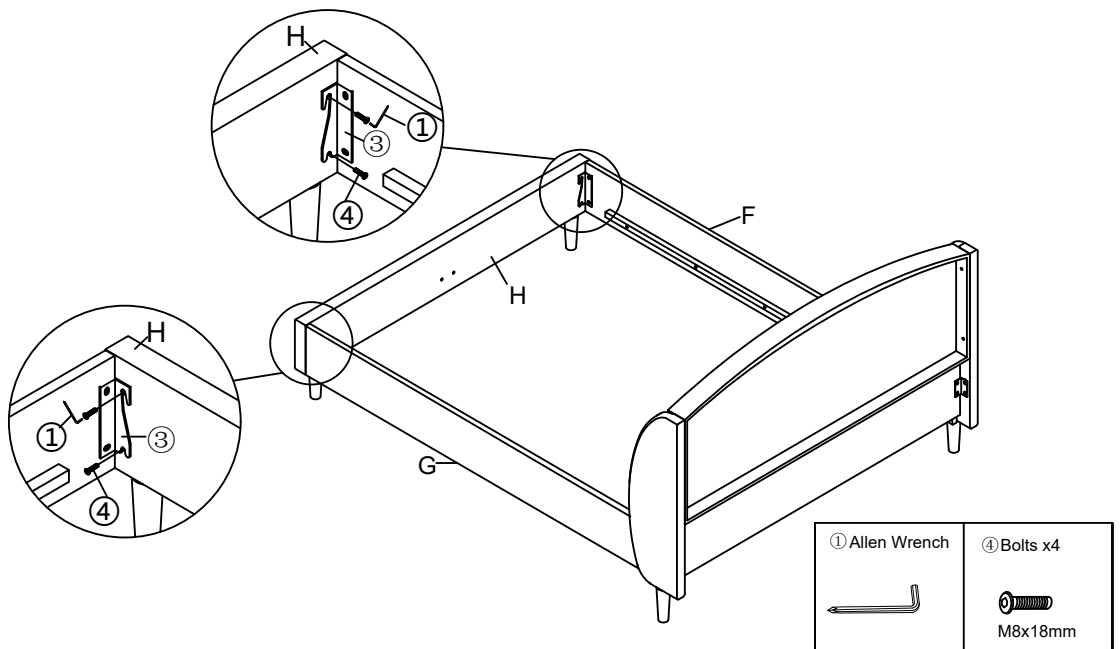
Attach the Support leg L to the Foot board H with Twist gasket ⑨.

Step 7



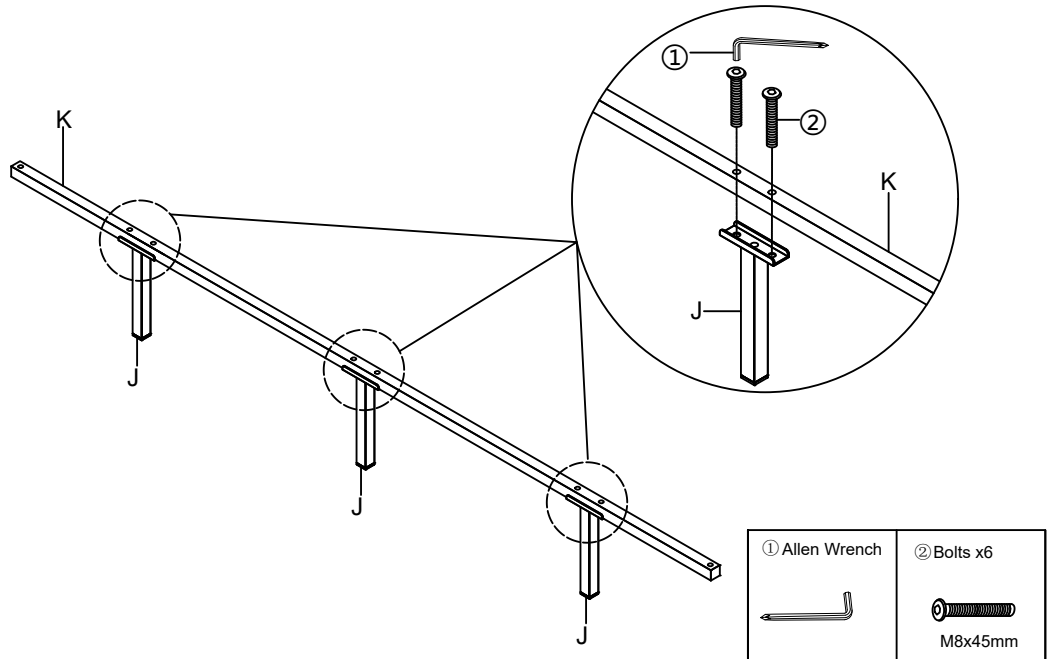
Attach the Hinge ③ to the Side rail G and F with Bolts ④ by using Allen Wrench ①.

Step 8



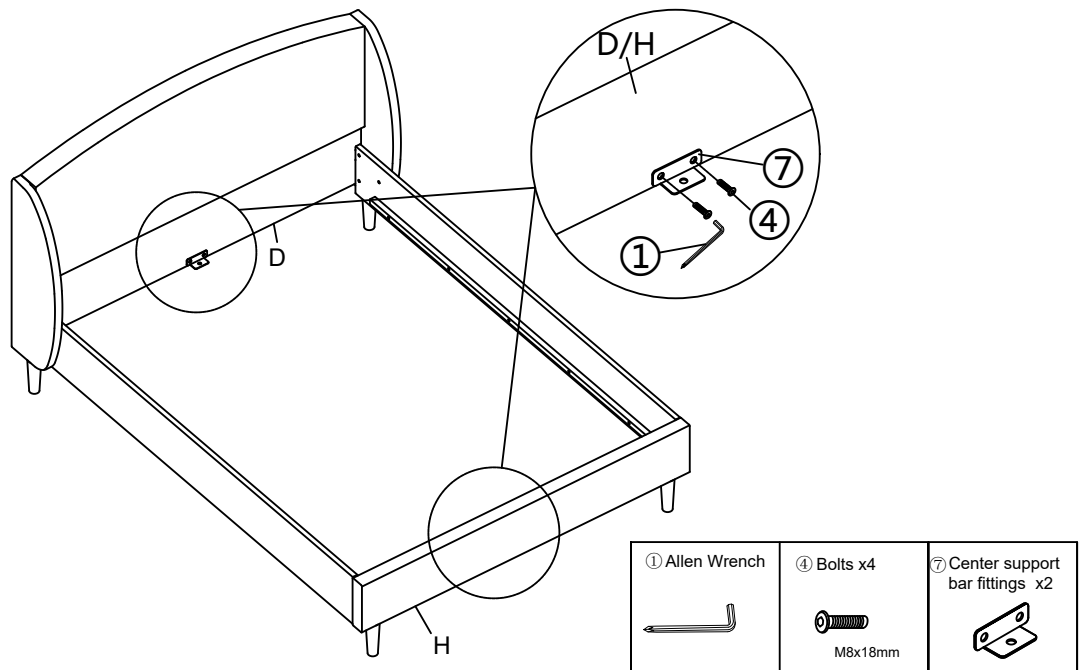
Attach the Foot board H to the Hinge ③ with Bolts ④ by using Allen Wrench ①.

Step 9



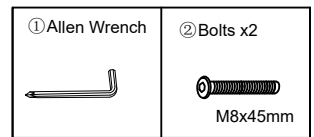
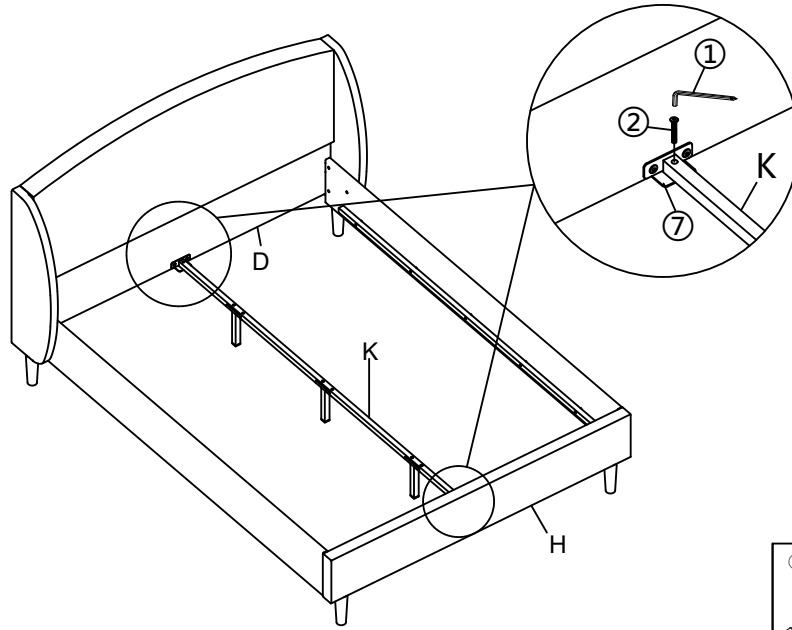
Attach the Middle support leg J to the Center support bar K with Bolts ② by using Allen Wrench ①.

Step 10



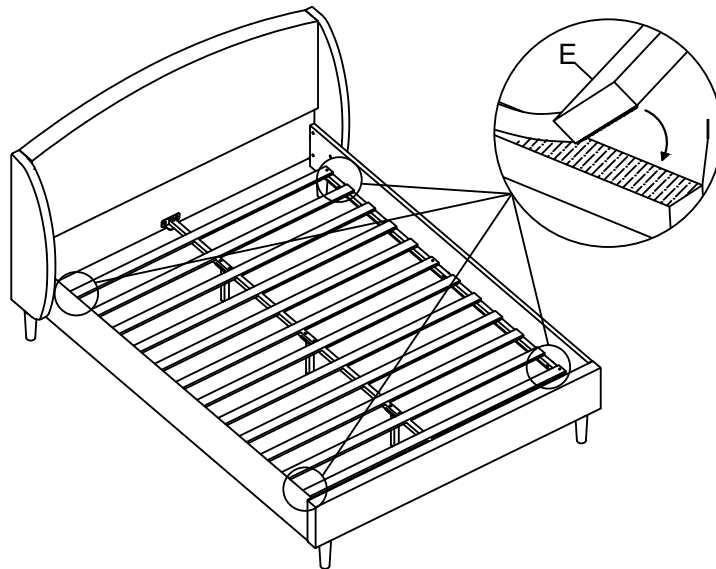
Attach the Center support bar fittings ⑦ to the Bottom board D and Foot board H with Bolts ④ by using Allen Wrench ①.

Step 11



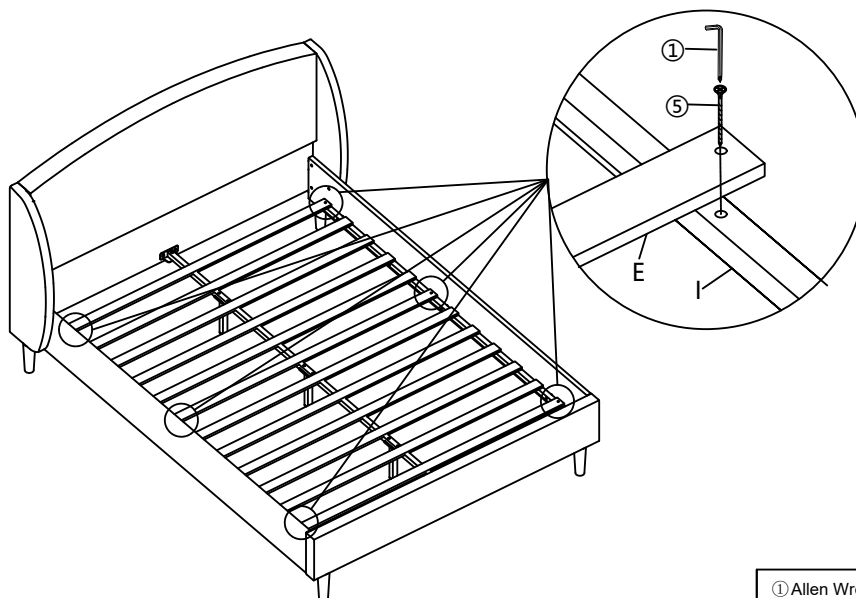
Attach the Center support bar K to the Center support bar fittings ⑦ with Bolts ② by using Allen Wrench ①.

Step 12



Put the Slats E on the Side rails support bar I.

Step 13



① Allen Wrench

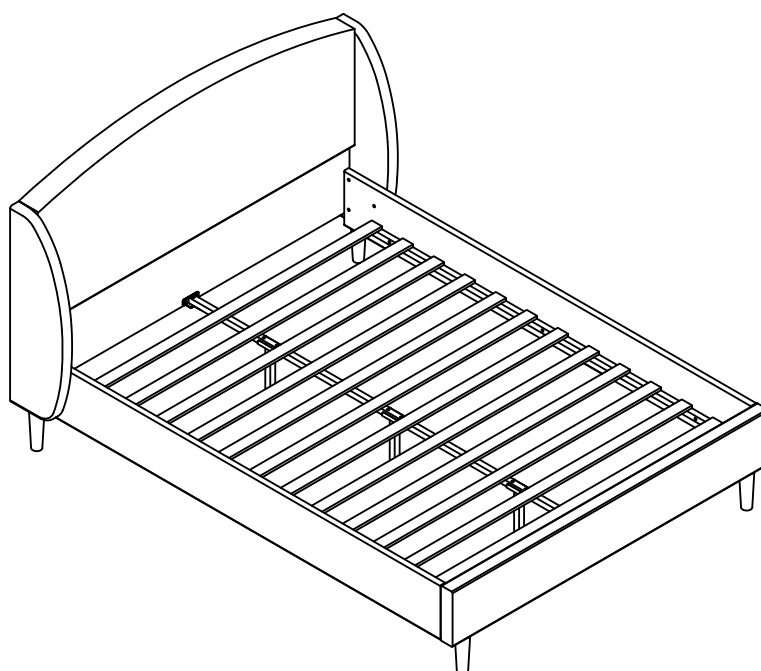
⑤ Nails x6



M4X30mm

Attach the Slats E to the Side rails support bar I with Nails ⑤ by using Allen Wrench ①.

Step 14



Your Bed is ready for use.
This Bed can only be used on a flat, level surface.