

**1** Determine where your track will be located, then mark and pre-drill holes.

- 1 - Mark a level line at the correct height ( $H + 15\frac{5}{8}$ ).
- 2 - Find location of studs in your wall. (NOTE: If studs cannot be found at spacing where track is to be installed, it is recommended to install a header board.)
- 3 - Mark and pre-drill holes corresponding to the location of studs along the level line.

NOTE: H = height of your barn door in inches

**3** Drill holes in door and attach rollers.

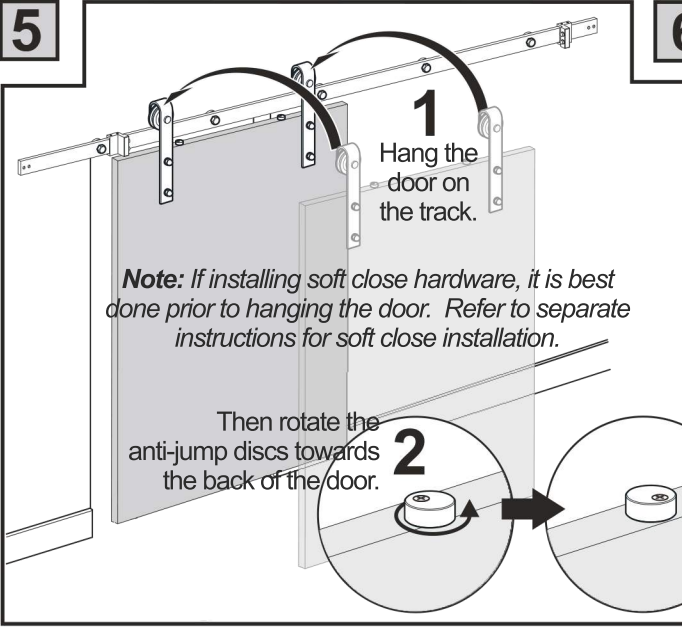
**2** Install track by driving lag screws through washers, track, and spacers.

Stops can be placed on either side of outer holes.

**4** Attach anti-jump discs on top of door.

After attaching anti-jump discs on top of door, rotate them toward the front side of door.

5



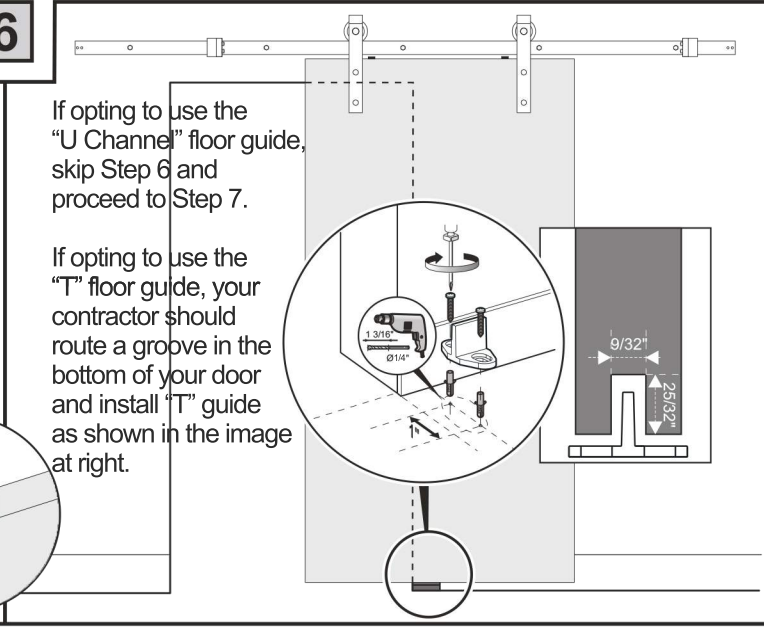
**1**  
Hang the door on the track.

*Note: If installing soft close hardware, it is best done prior to hanging the door. Refer to separate instructions for soft close installation.*

Then rotate the anti-jump discs towards the back of the door.

**2**

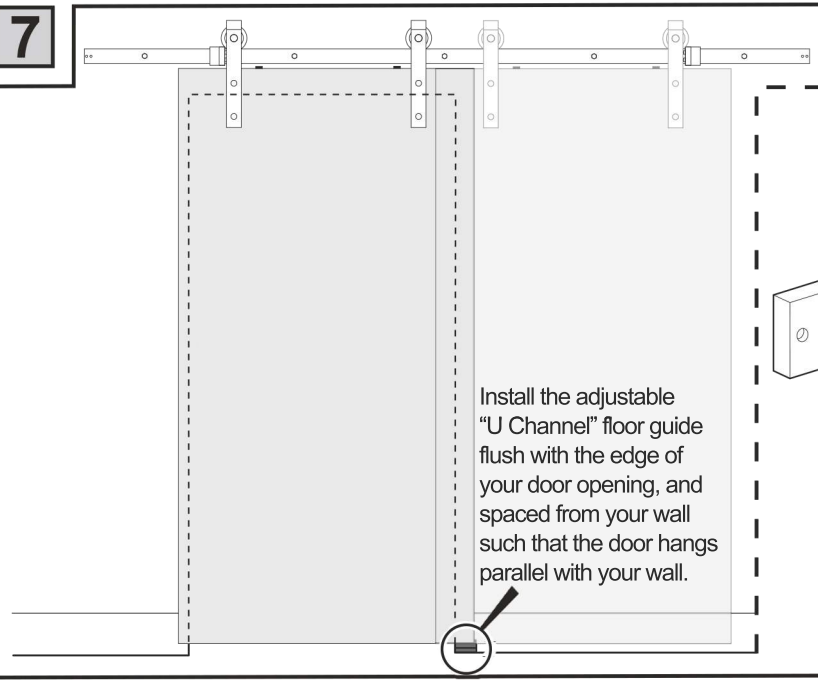
6



If opting to use the "U Channel" floor guide, skip Step 6 and proceed to Step 7.

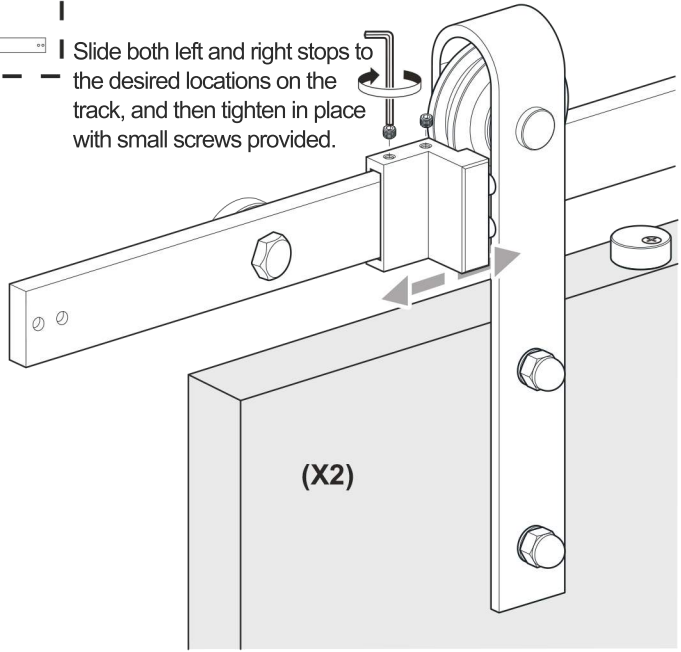
If opting to use the "T" floor guide, your contractor should route a groove in the bottom of your door and install "T" guide as shown in the image at right.

7



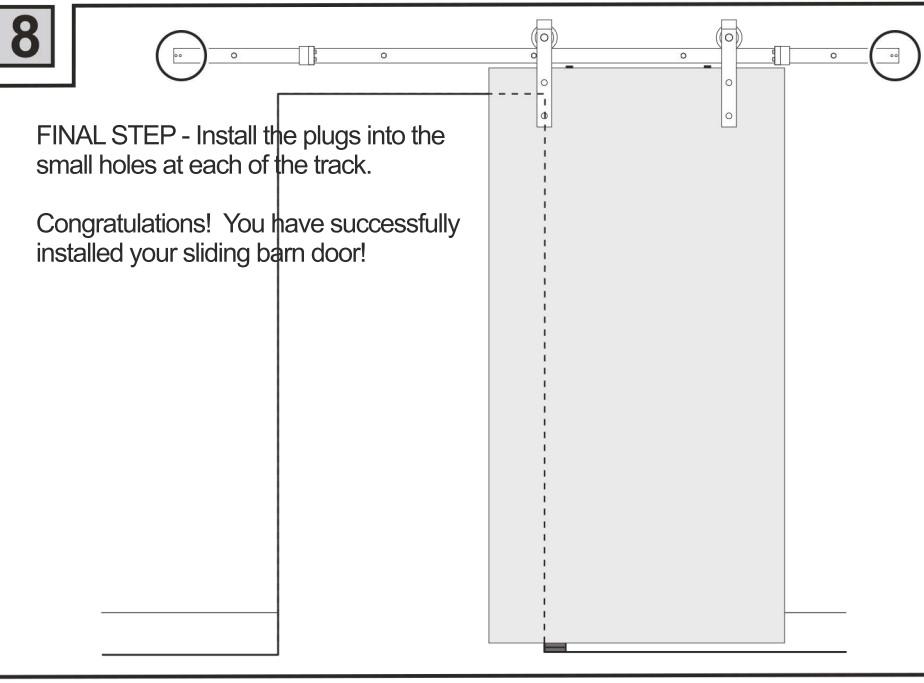
Install the adjustable "U Channel" floor guide flush with the edge of your door opening, and spaced from your wall such that the door hangs parallel with your wall.

Slide both left and right stops to the desired locations on the track, and then tighten in place with small screws provided.



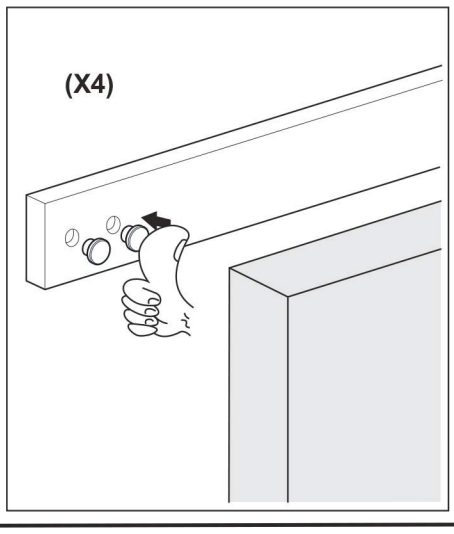
(X2)

8



FINAL STEP - Install the plugs into the small holes at each of the track.

Congratulations! You have successfully installed your sliding barn door!



(X4)