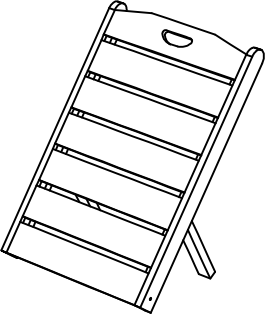

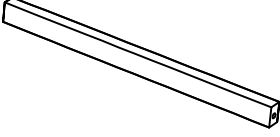
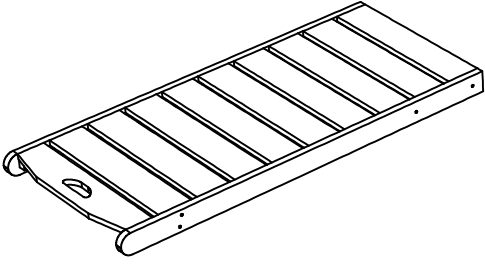
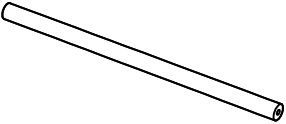

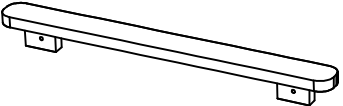
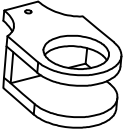


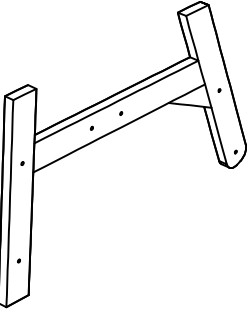
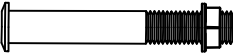

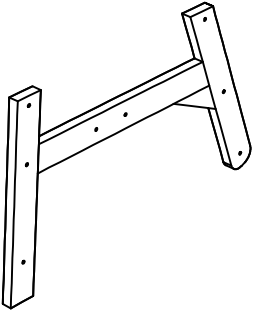
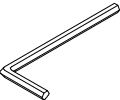
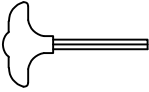
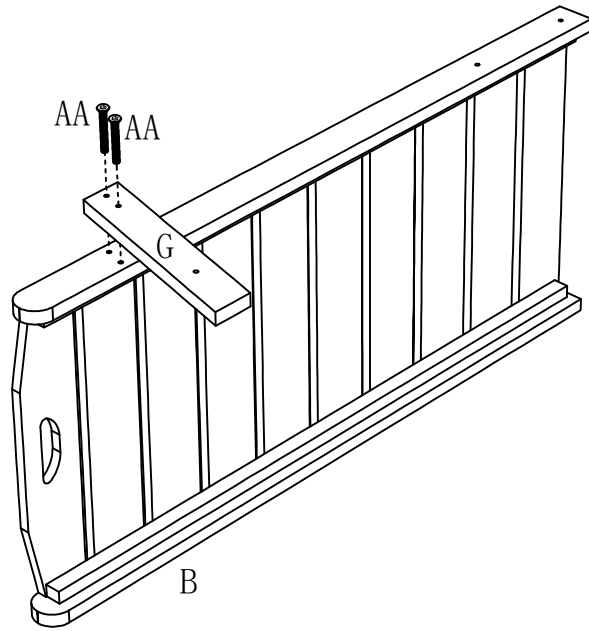
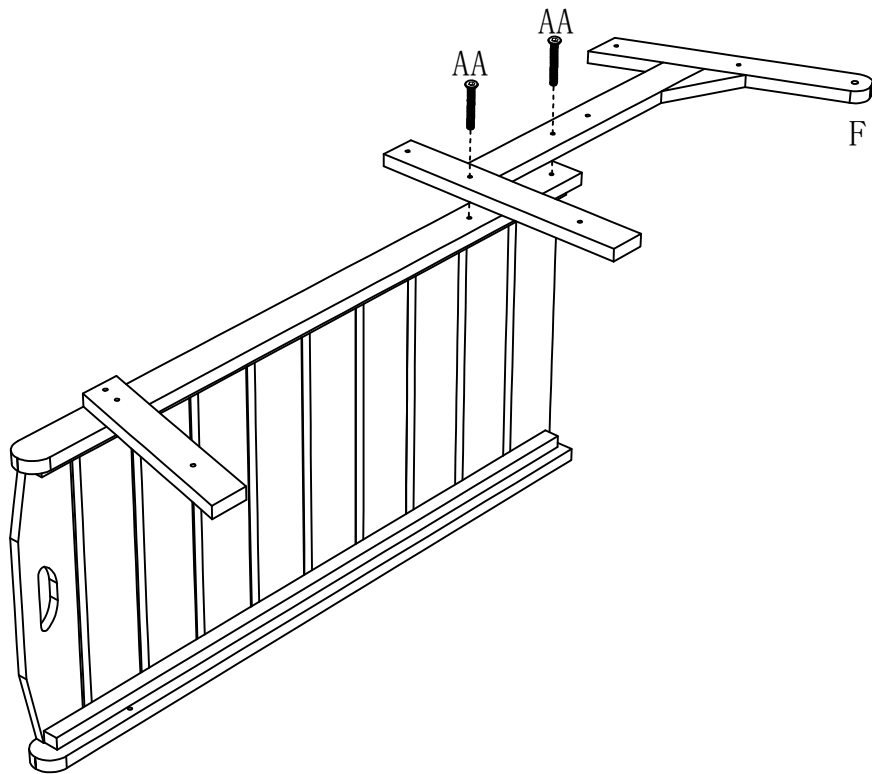


A		1PC	G		2PCS
			H		2PCS
B		1PC	I		1PC
			J		2PCS
C		1PC	L		1PC
D		1PC	AA	 M6*35	20PCS
E		1PC	BB	 M10*60	2PCS
			CC	 M6*30	1PC
F		1PC		 M5	
				 M6	

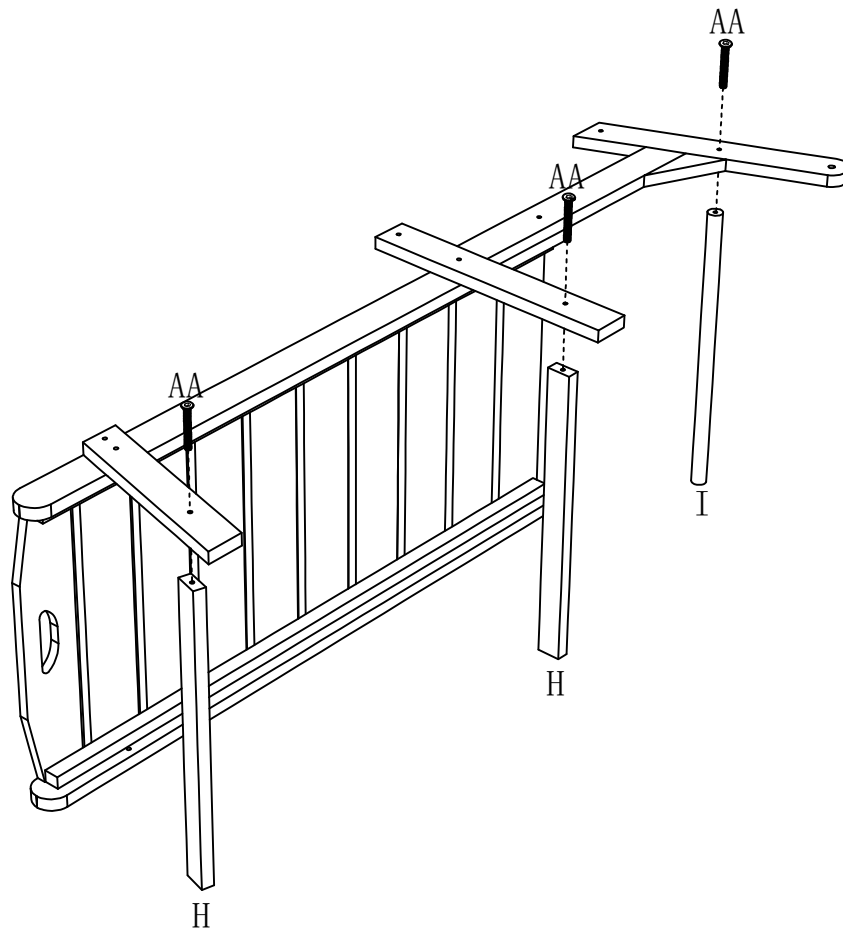
1



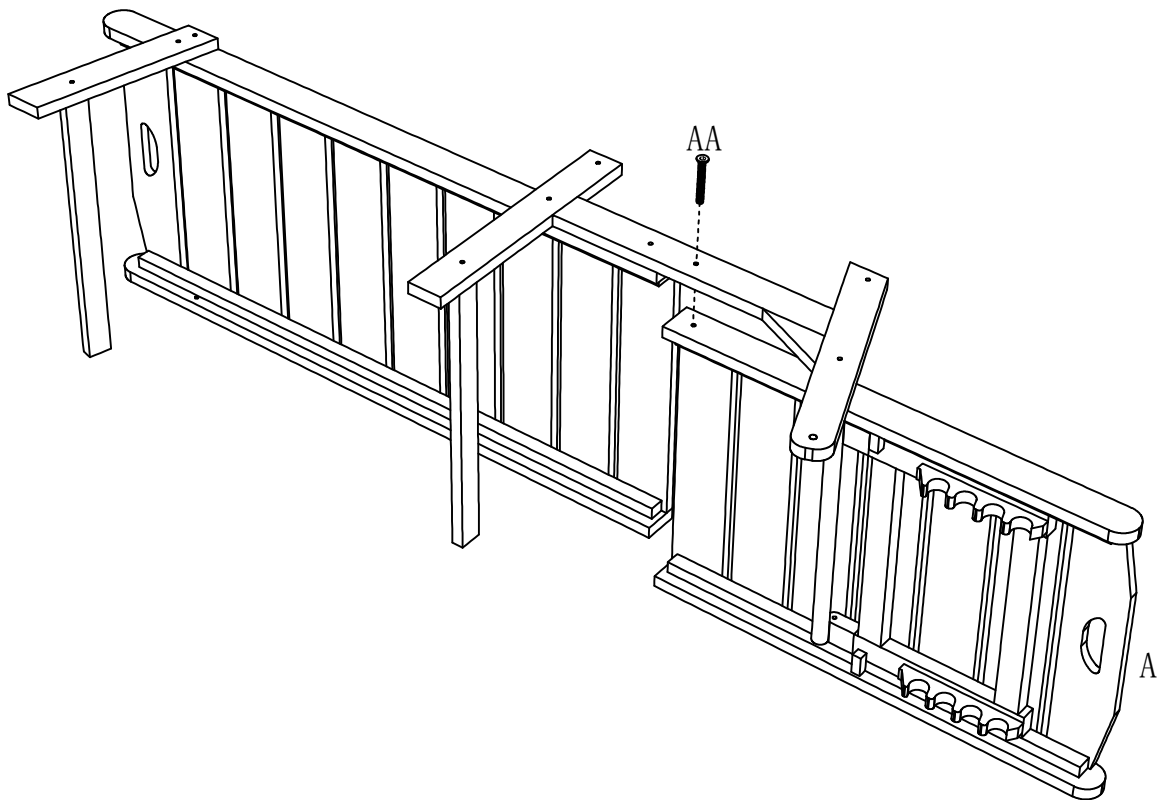
2



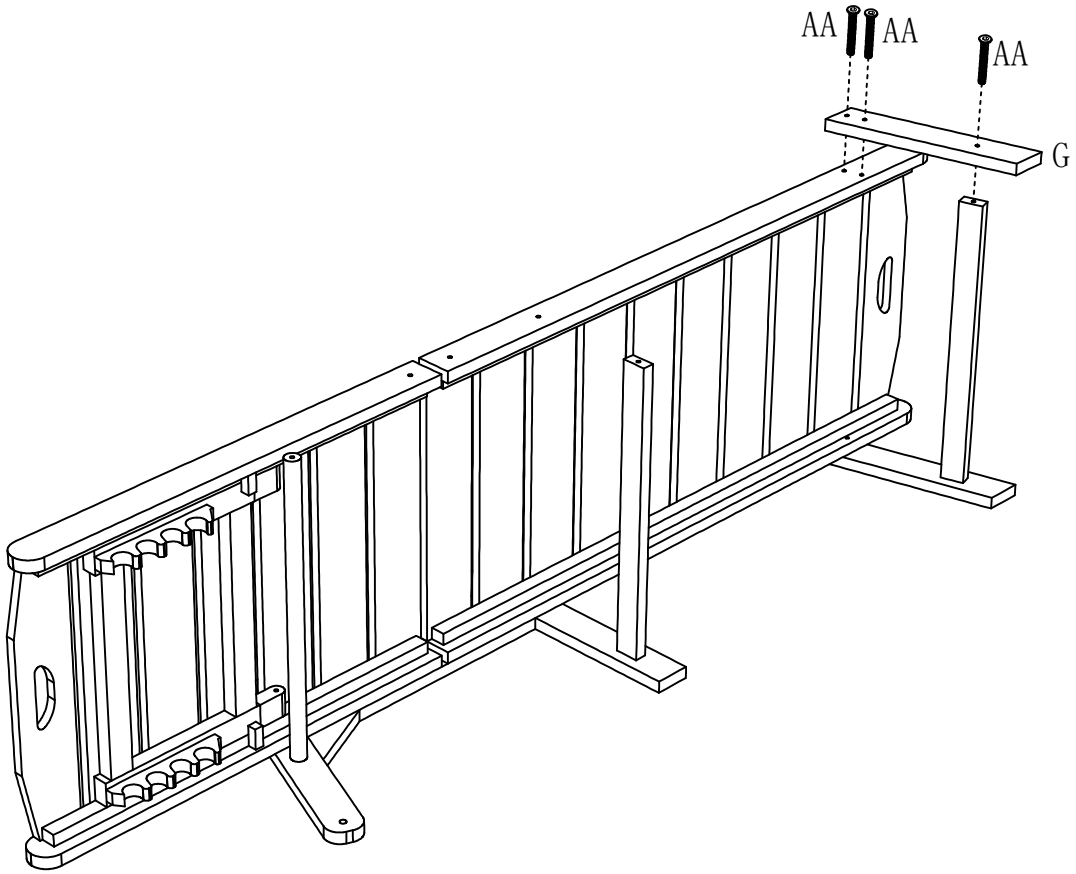
3



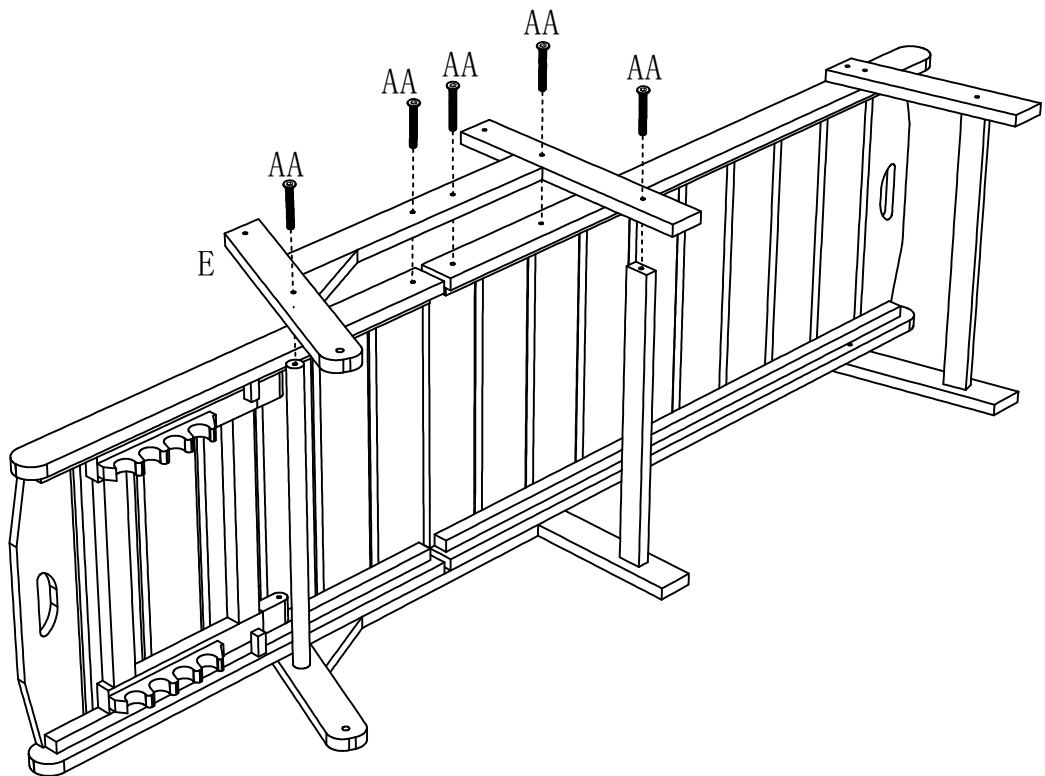
4



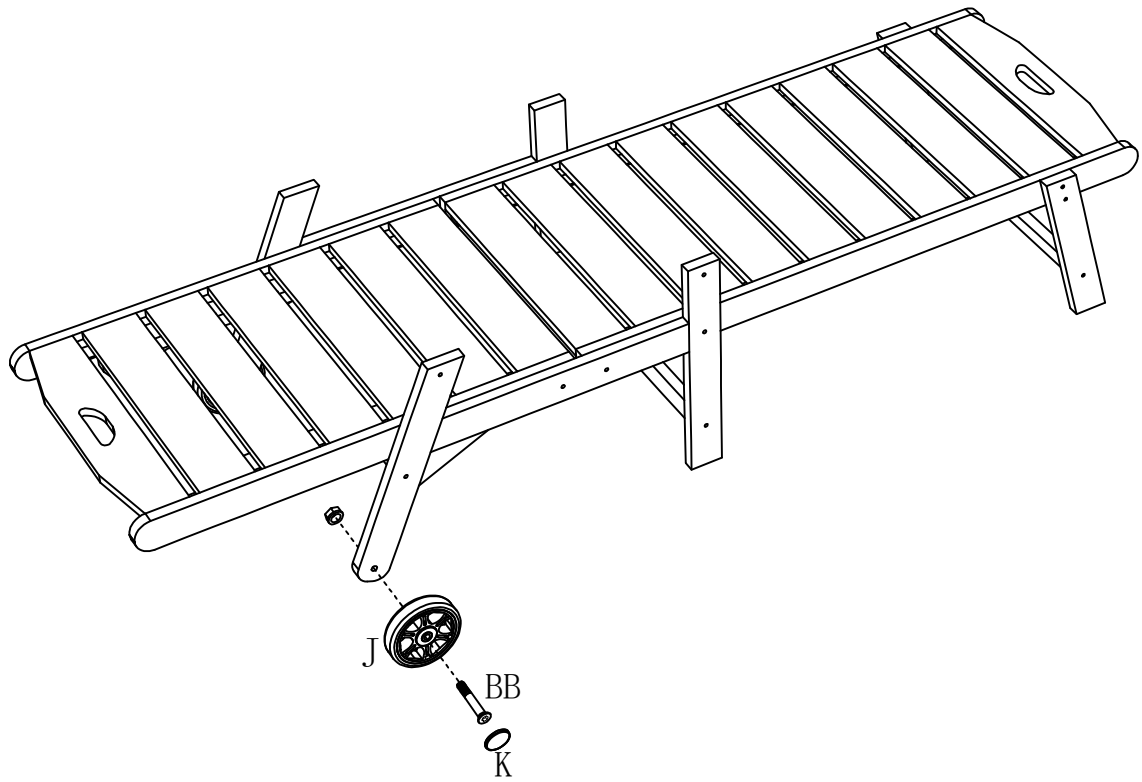
5



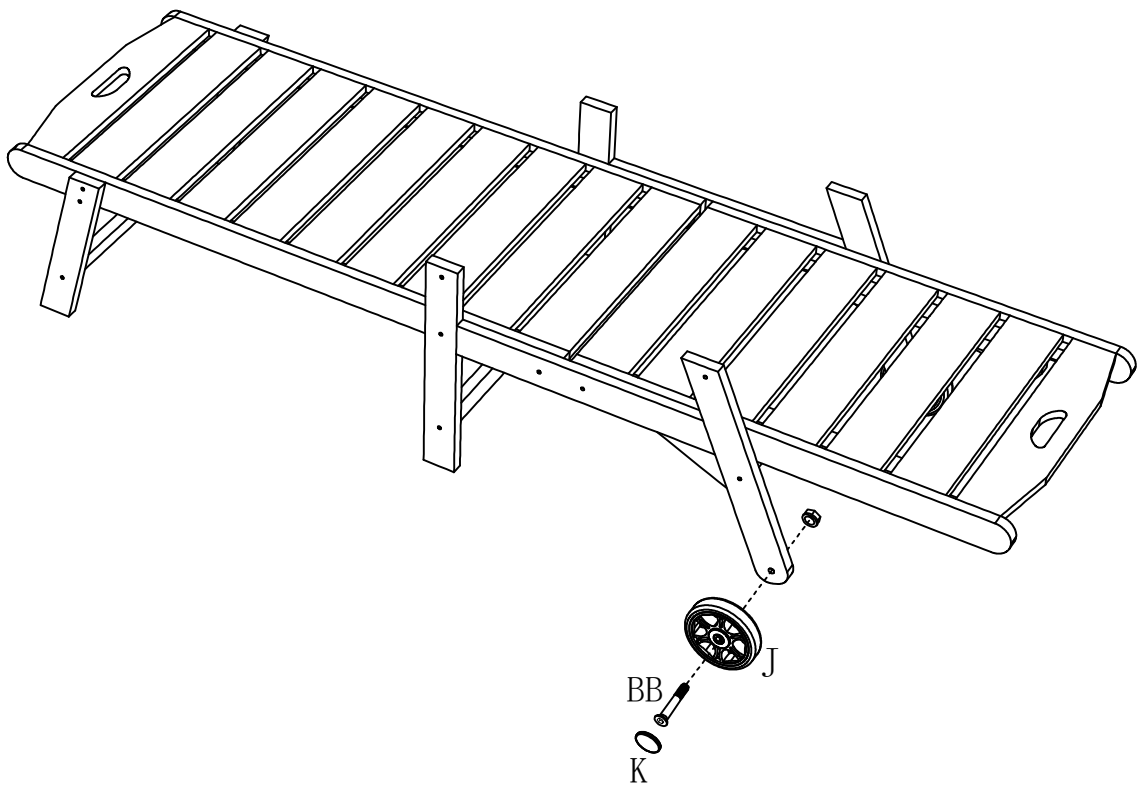
6



7

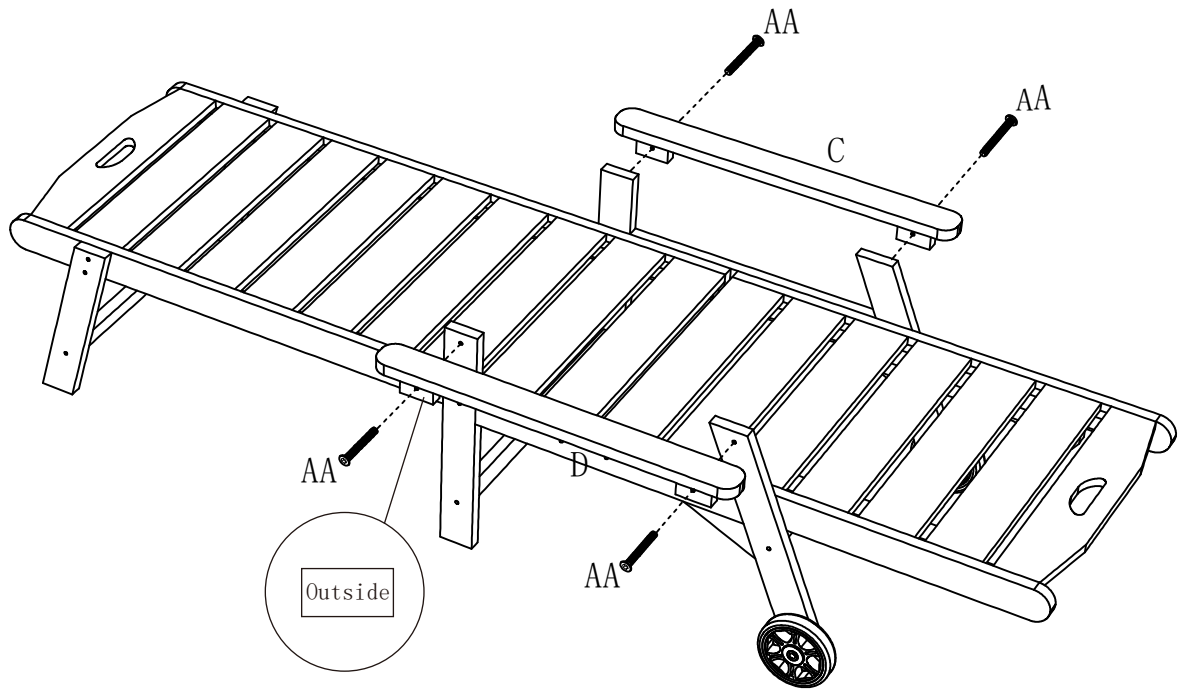


8



9

Please ensure that the side of Part C and D with the "Outside" label faces outward.



10

