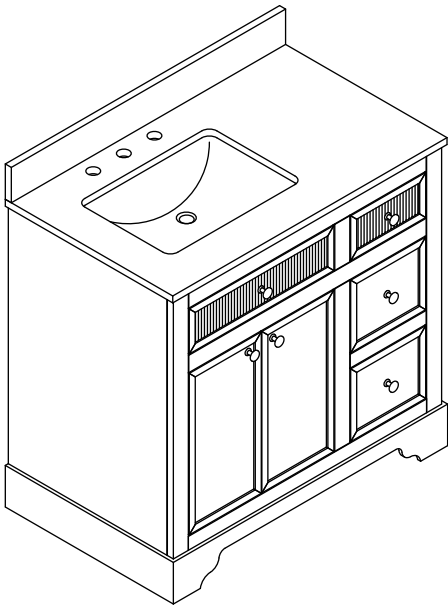

BATHROOM VANITY SET

Colors/Finishes: LIGHT WOOD

Nominal Dimension:36W*22D*35H inches

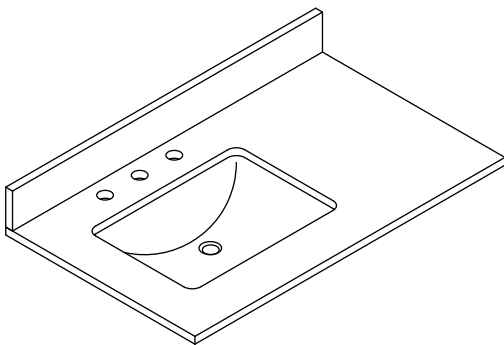


Contents

36"Vanity.....PAGE2

36"Vanity Top.....PAGE3

Vanity Installation.....PAGE4



VANITY FEATURES:

- 1.Material: Solid poplar wood frame, high-quality veneer plywood.
- 2.Doors: 2 soft-close doors, Austria BLUM Soft-close hinges system.
- 3.Drawers:3 Dovetail Drawers, DTC concealed soft-close sliders.
- 4.1 Flip drawer
- 5.Hardware: Metal alloy
- 6.Installation Type: Freestanding
- 7.Built-in Adjusters: Adjustable height levelers
- 8.Vanity Top: High-quality quartz/marble with single undermount sink
- 9.Assemble required: No
- 10.Vanity top Included: Yes
- 11.Mirror Included: Optional
- 12.Medicine Cabinet Included: Optional

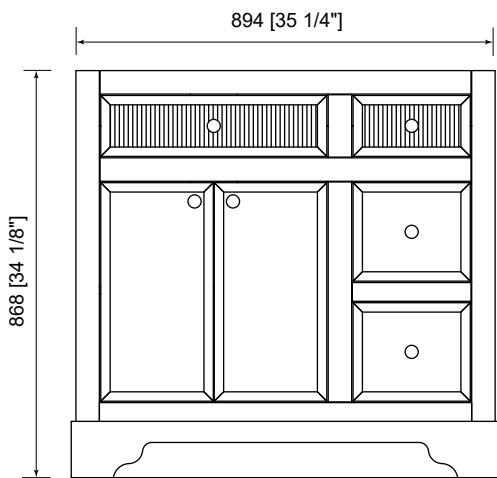
VANITY TOP FEATURES:

- 1.Material: Highly resilient, nonporous, scratch-and stain-resistant quartz,or natural Italian Carrera white marble.
- 2.Top Color: Carrera white
- 3.Sink: 1*20"undermount rectangle sink
- 4.Faucet Hole s: Top pre-drilled for 8"widspread faucet holes
- 5.Sink Certified: CUPC certified
- 6.Backsplash: 4"backsplash included
- 7.Faucet Included: No
- 8.Nominal Dimension(W*D*H): 36W*22D*0.79H inches

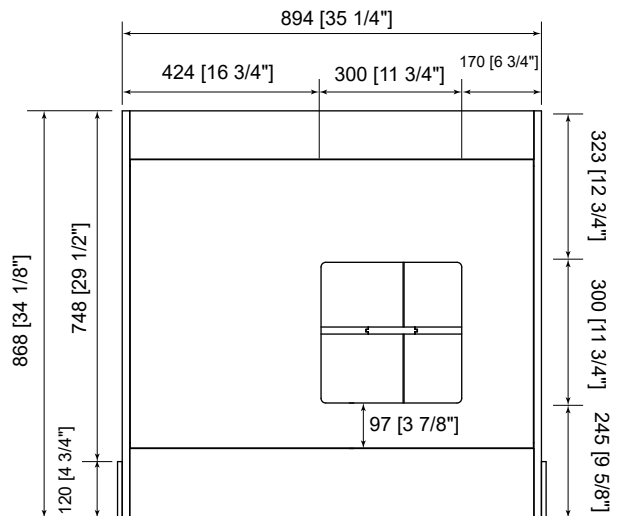
BATHROOM VANITY SET

PRODUCT DIAGRAMS:

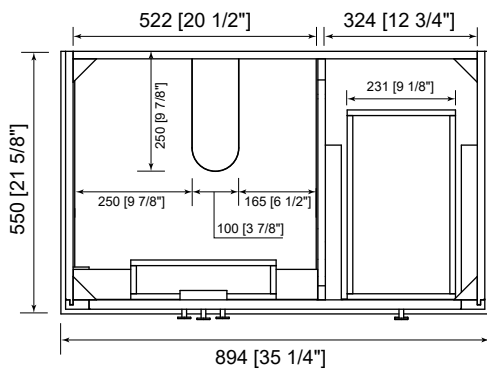
Front



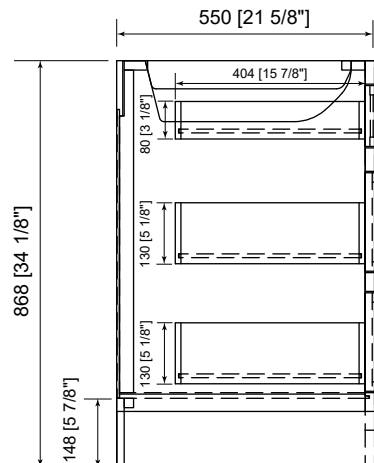
Back



Top

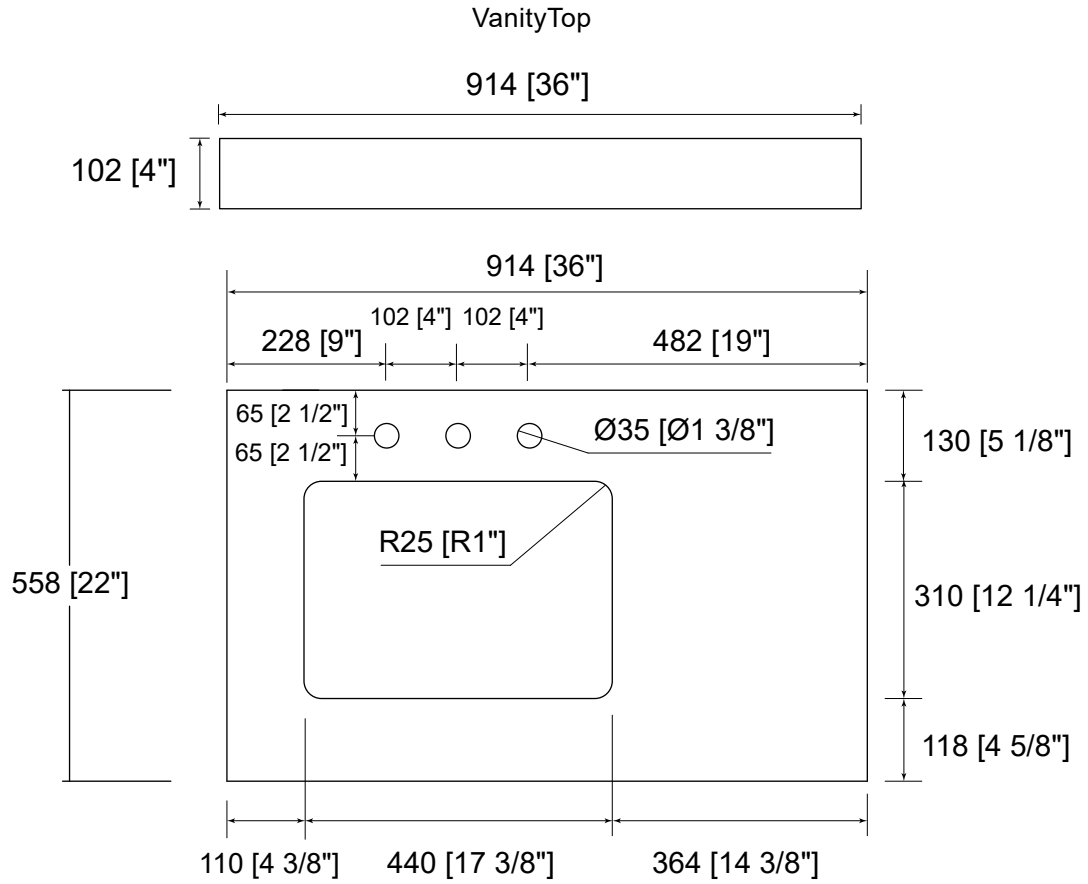


Side

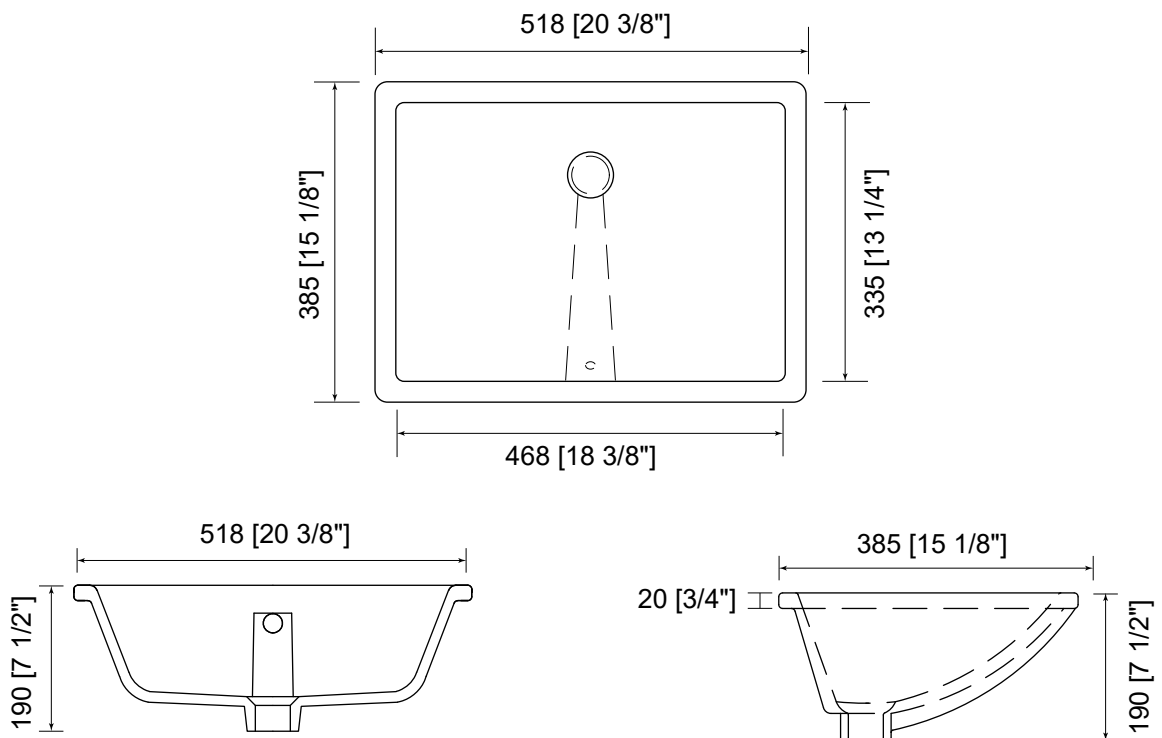


VANITY TOP

With rectangular undermount sink

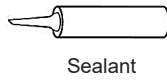


Undermount Sink



Vanity Installation

SUGGESTED TOOLS AND MATERIALS:



Sealant



Measuring tape



Safety glasses



Rag

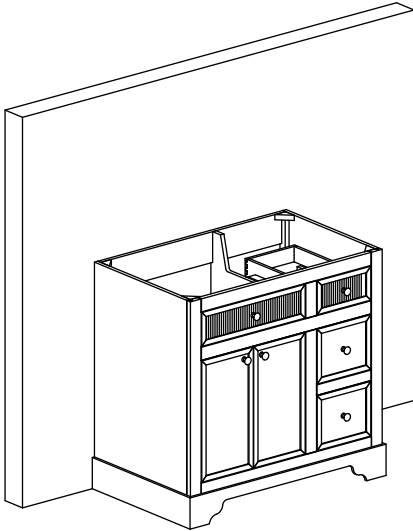


Level

INSTALLATION INSTRUCTLONS

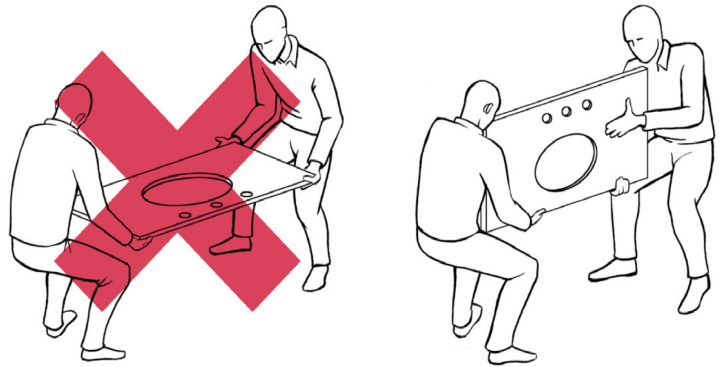
We recommend consulting a professional if you are unfamiliar with installing bathroom fixtures and plumbing. We accept no liability for any damage to the floor, plumbing, vanity cabinet, sink, counter top, or personal injury during installation.

1



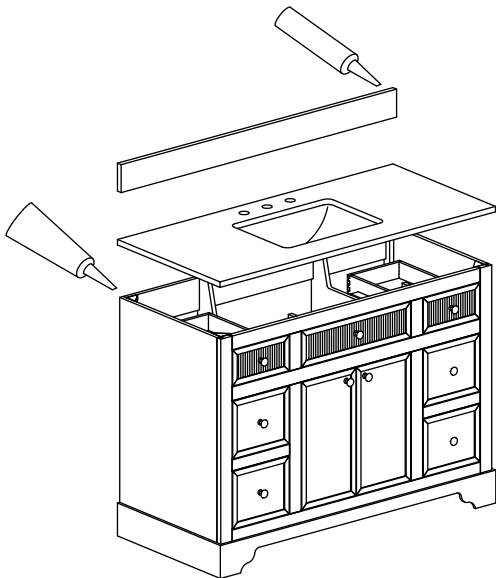
Remove vanity from box and examine vanity for any defects or damage. Carefully place vanity against wall.

2



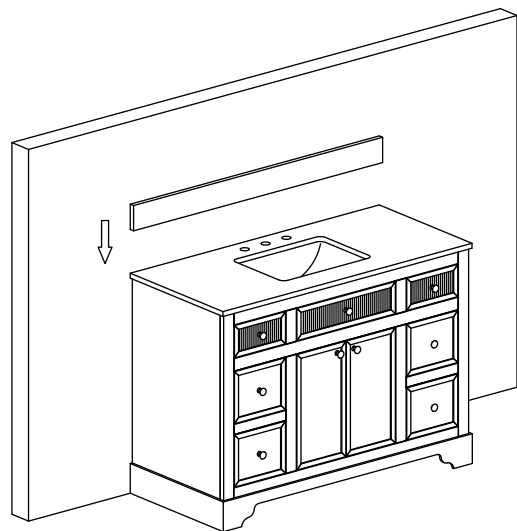
Always use a two man crew, a single person crew is much more likely to break or chip the stone top.

3



Apply bead of quality sealant evenly along the bottom of back splash and the top of the vanity.

4



Finally, place the bottom side of back splash with sealant onto the counter top and check alignment of back splash.