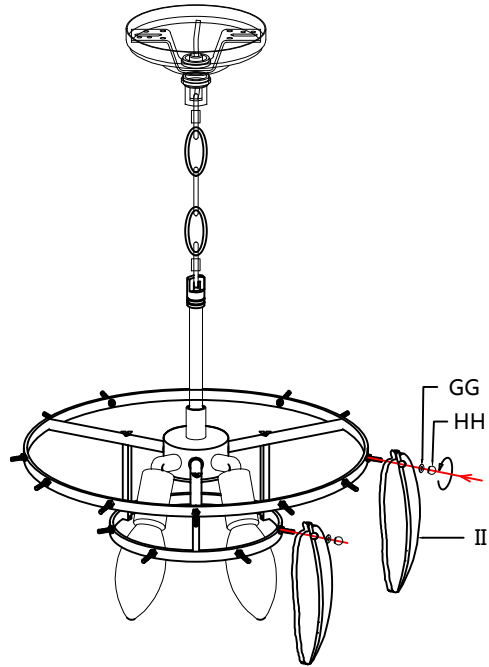


INSTALL BULBS AND CRYSTAL



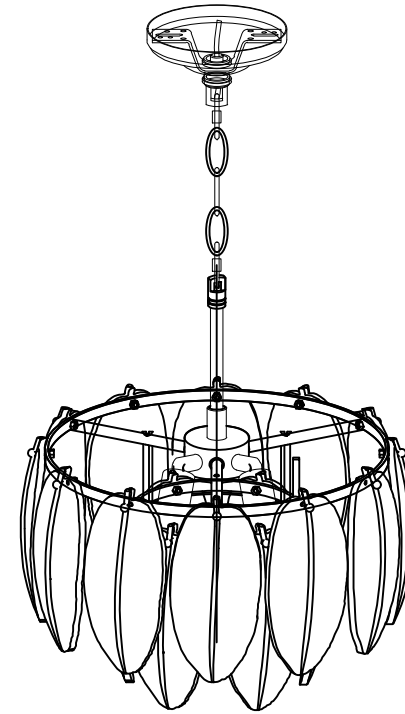
Step 1: Install the E12 bulbs(not included).

NOTE:

This Lamp uses E12 bulbs base and can only be used in conjunction with LED bulbs up to 40W.
Fully dimmable when used with dimmable bulbs and compatible dimming switches(not included).

Step 2: Insert the Feather Glass (II) into the tooth bar of the Fixture Body (C) and secure it with a Plastic Gasket (GG)/M4 bead (HH).

INSTALLATION MANUAL



TOOLS REQUIRED



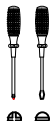
Ladder



Pliers

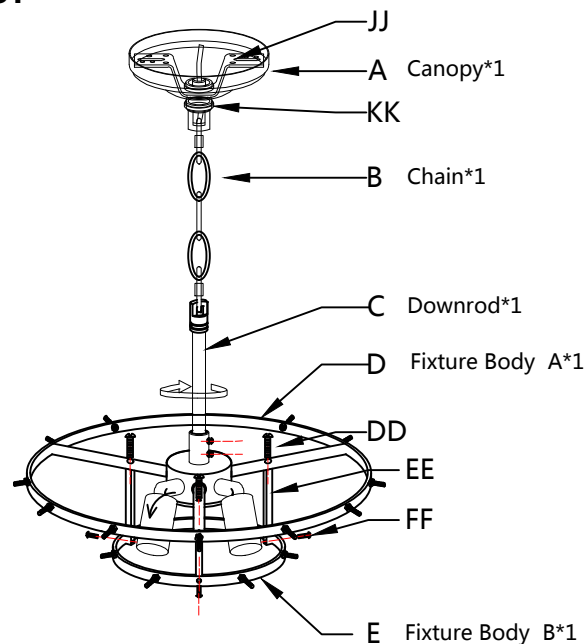


Wire
Strippers



Screwdrivers

PACKING LIST



INSTALLATION KIT

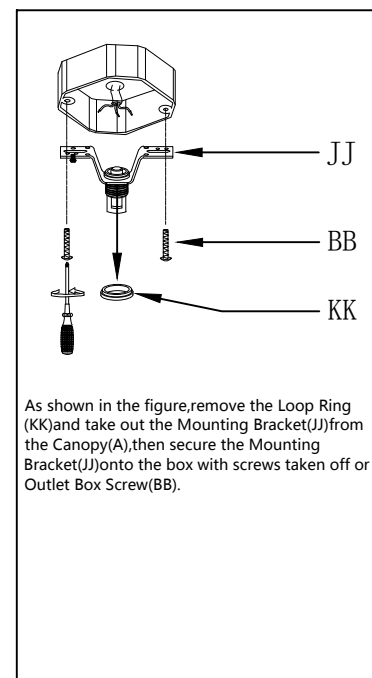
C		1X	D		1X	E		1X	AA		3X	BB		2X
CC		1X	DD		3X	EE		3X	FF		3X	GG		18X
HH		18X	II		18X	JJ		1X	KK		1X	LL		1X

NOTE:

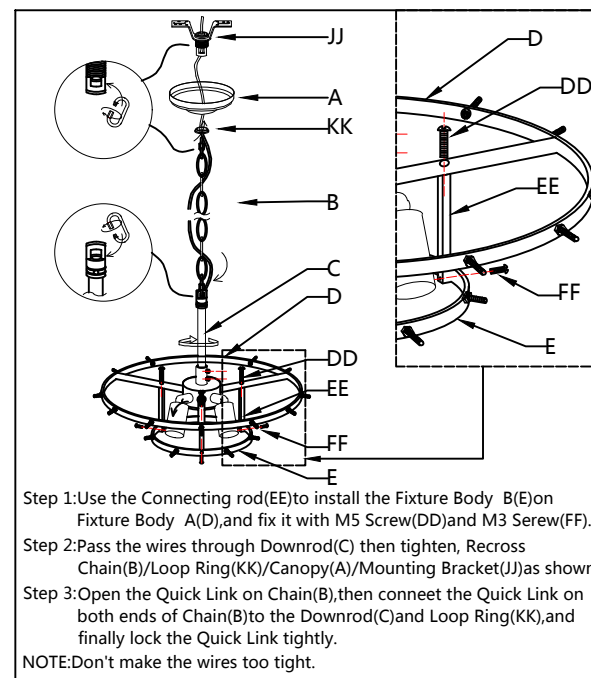
- 1.JJ/KK have already been pre-installed together with Canopy(A).
- 2.II have one spare part for back-up.

MOUNTING AND WIRING

1. Install the Mounting Bracket



2. Pass the Wires



3. Connect the wires

