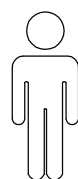
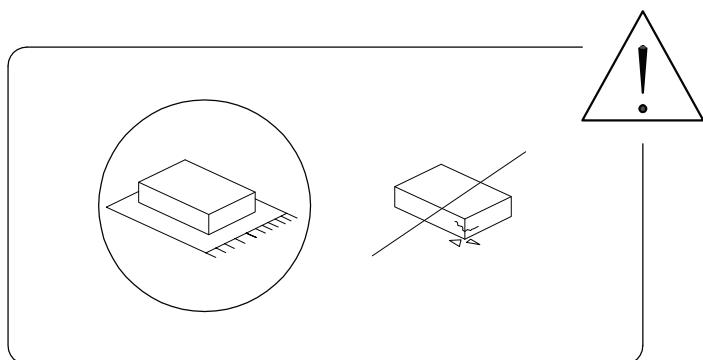
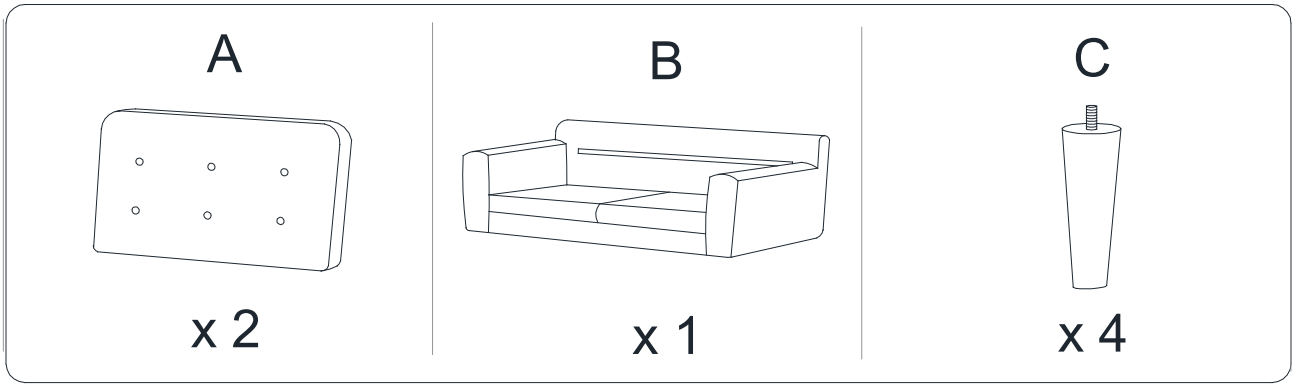


15'

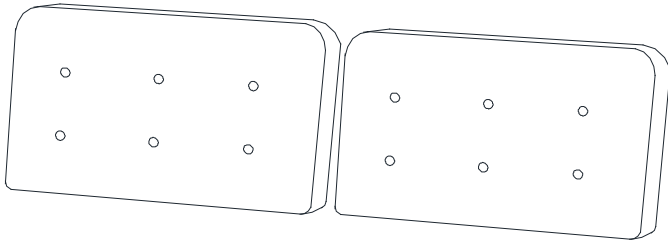


2

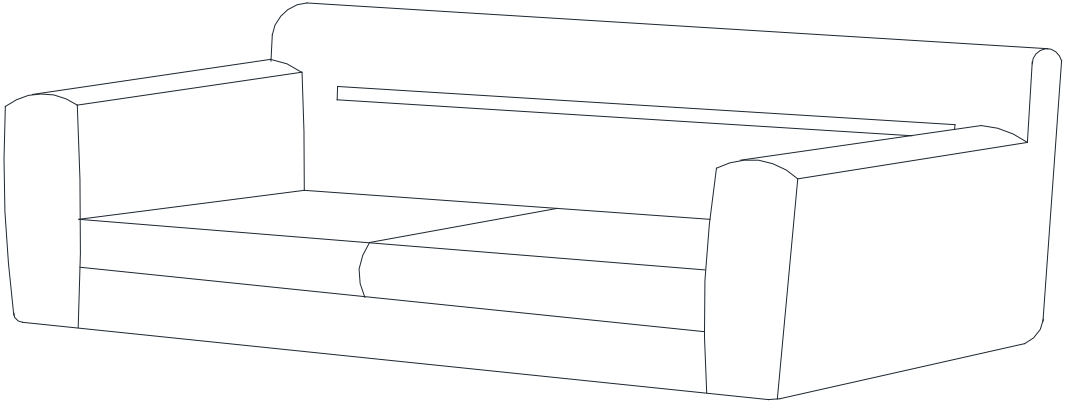




A x 2



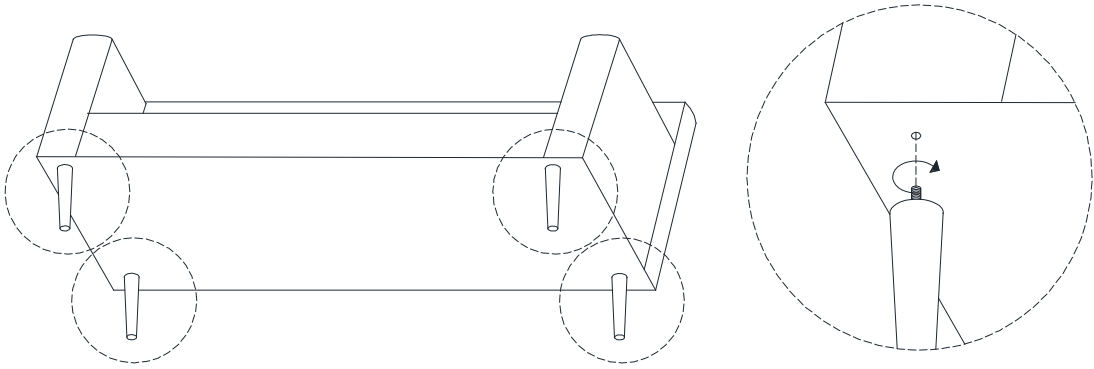
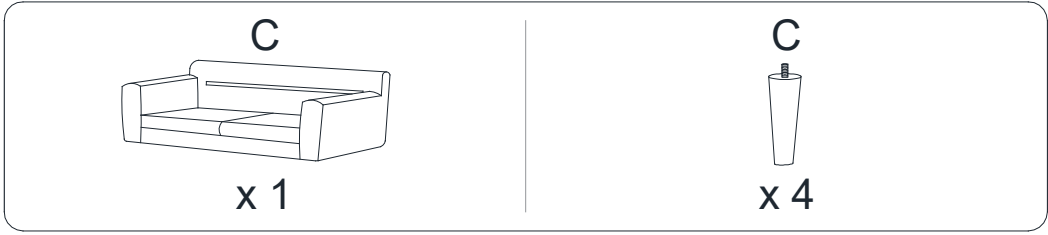
B



C x 4



1



2

