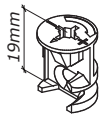


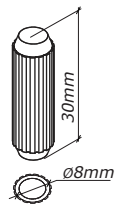
T7
x4



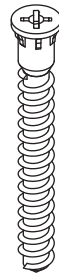
T97
x4



T28
x8



H1
x12



V57
x4



H2
x20



V5
x20



V81
x2



H129
x2



R40
x16



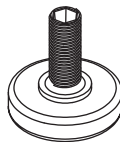
G31
x22



G120
x4



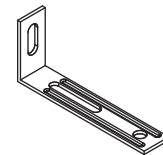
G57
x4



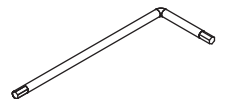
P25
x4



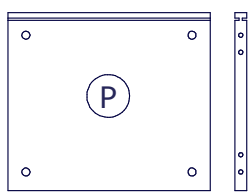
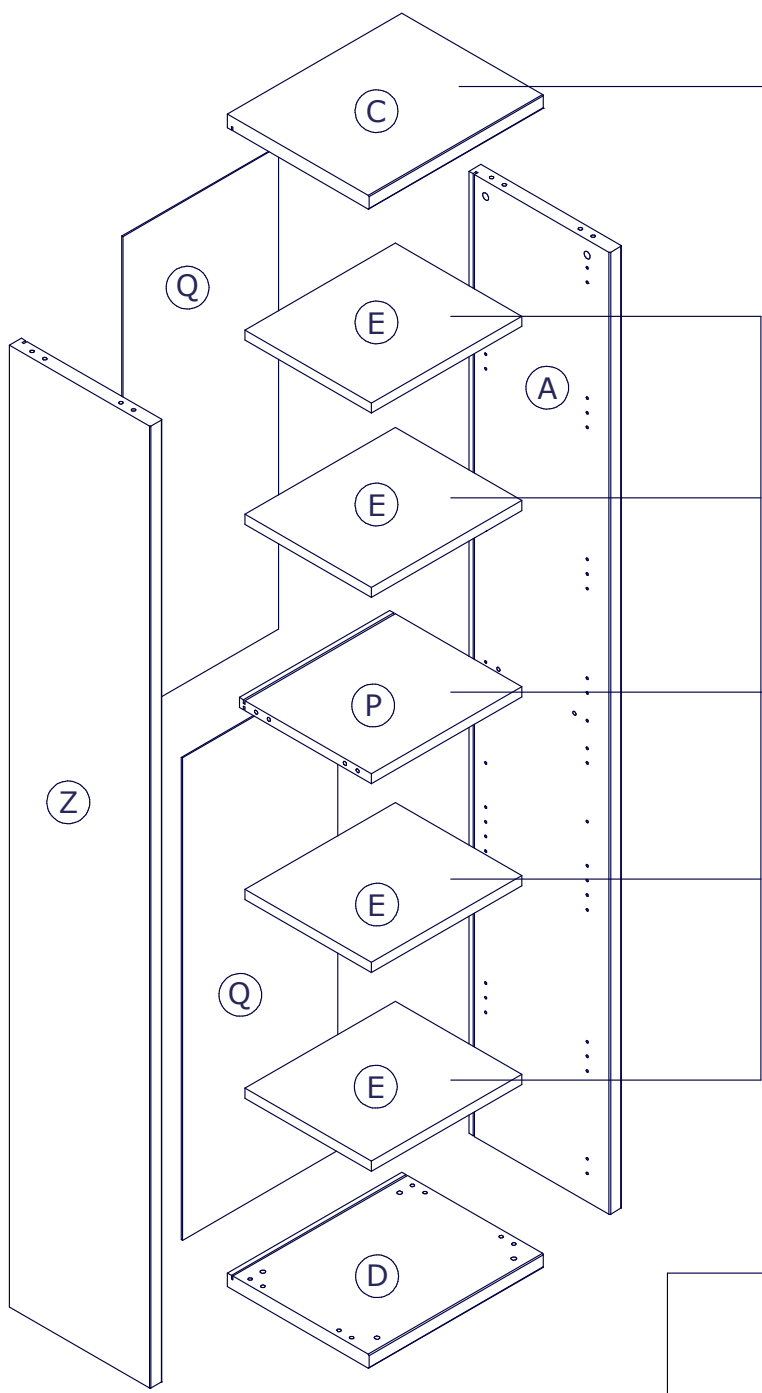
H118
x4



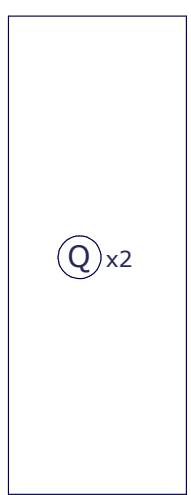
H185
x1



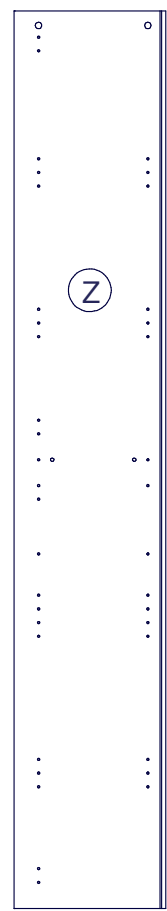
H138
x1



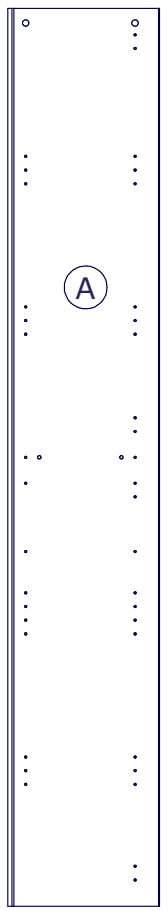
● **PI6560**
379x333x22mm



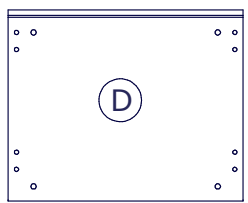
● **SH2856**
1053x392x3mm



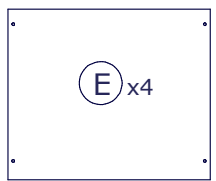
● **FI7556**
2100x355x30mm



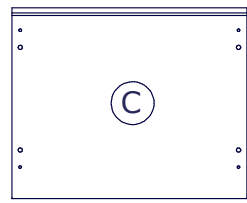
● **FI7554**
2100x355x30mm



● **BA1890**
440x356x30mm

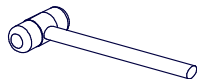


● **PI6562**
379x319x22mm

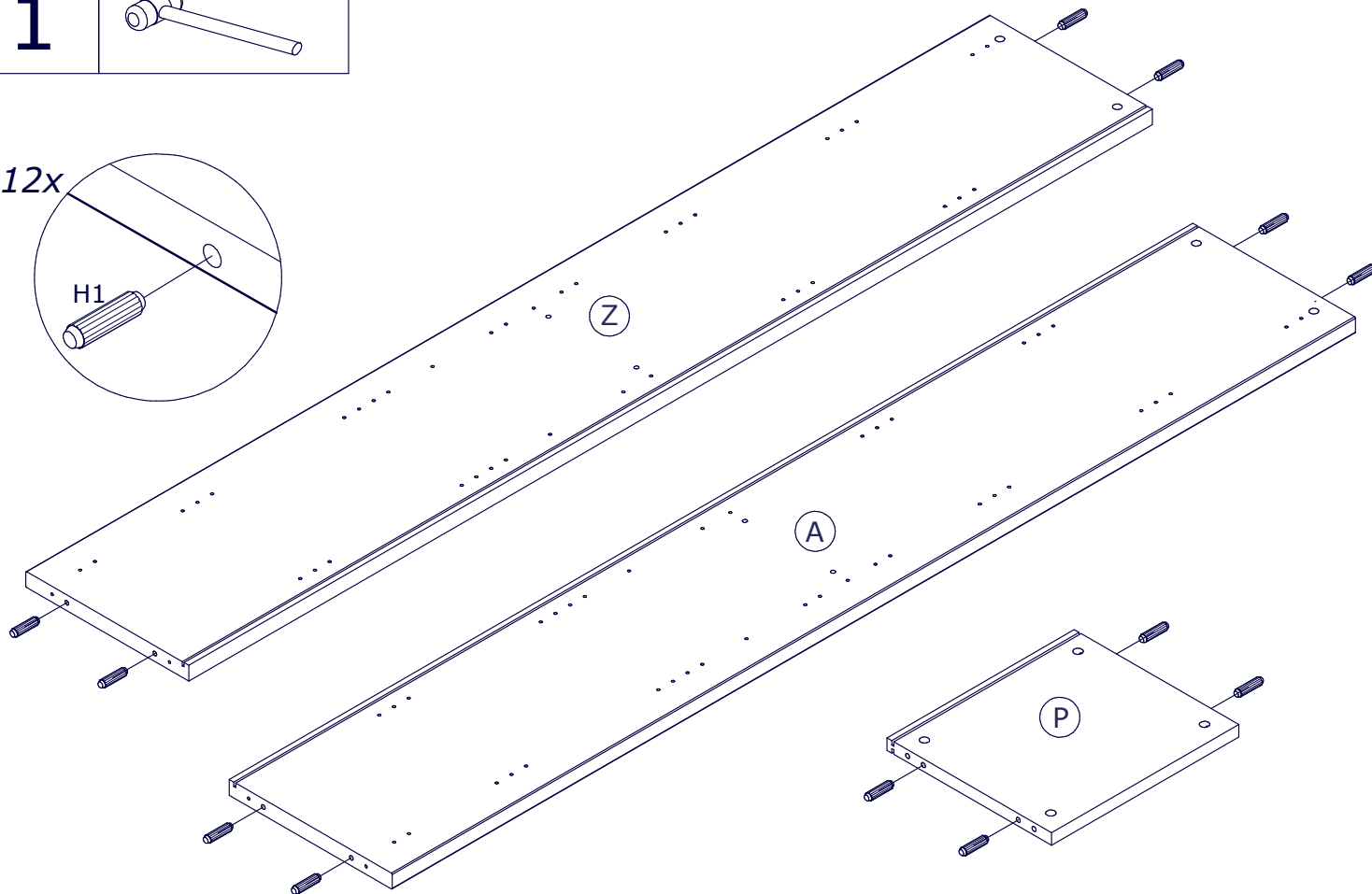
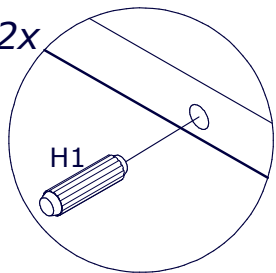


● **CA3089**
440x356x30mm

1



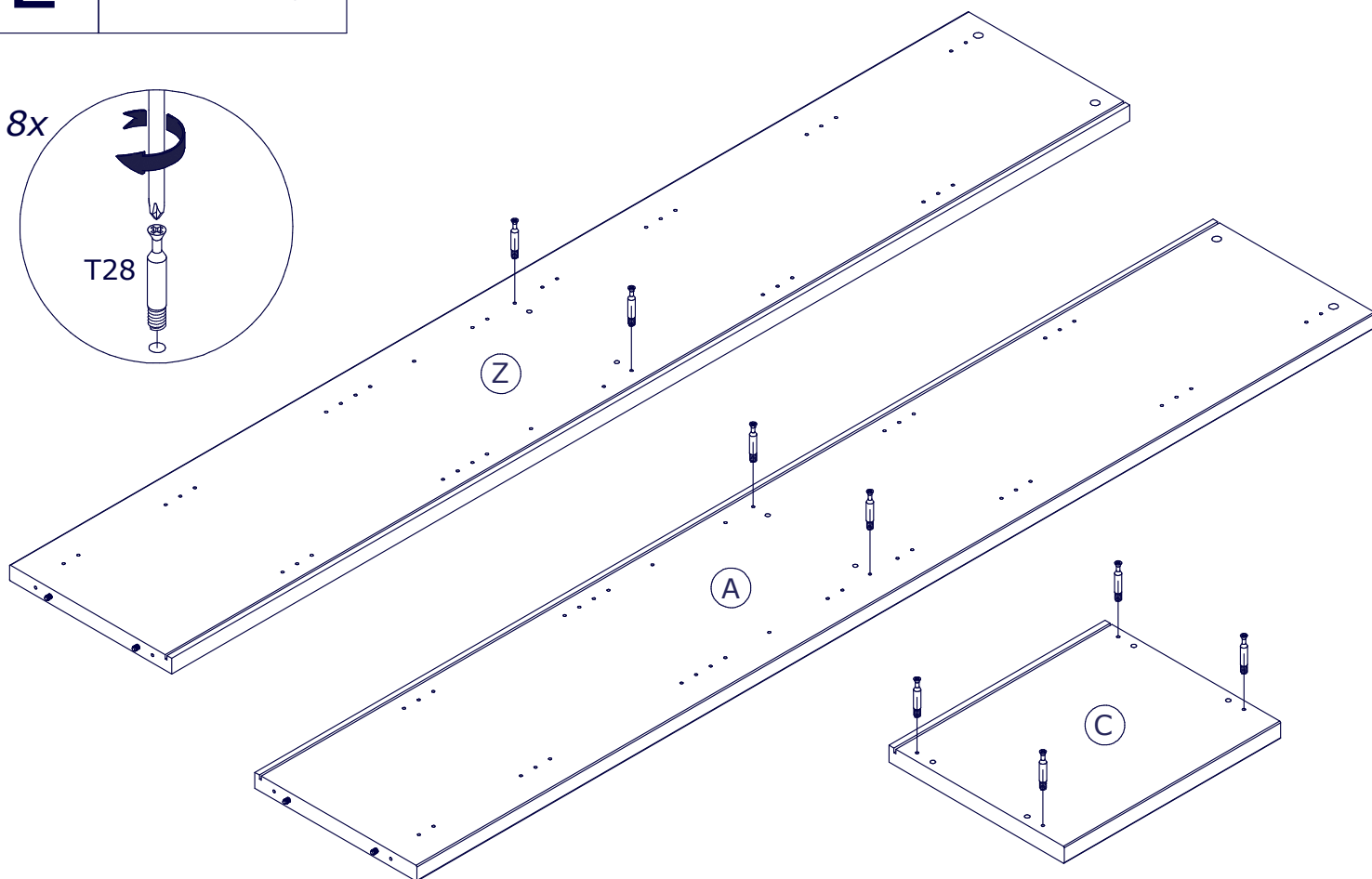
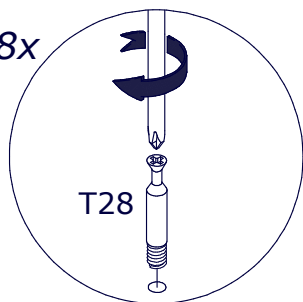
12x



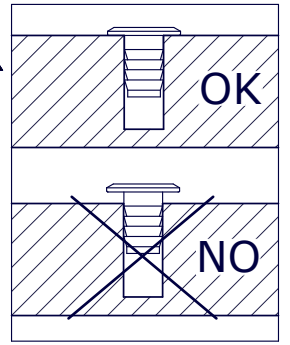
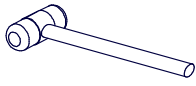
2



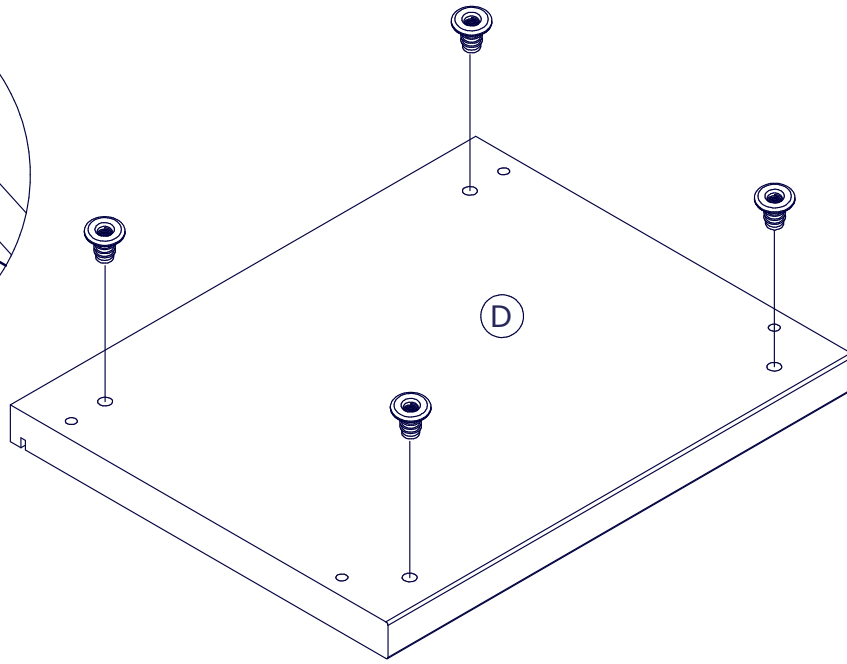
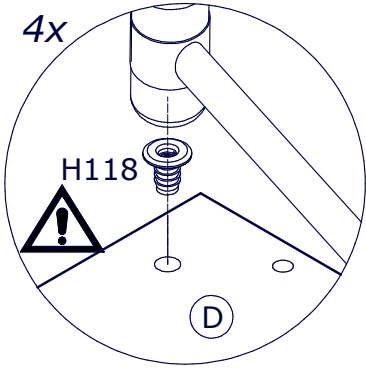
8x



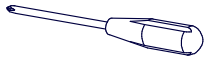
3



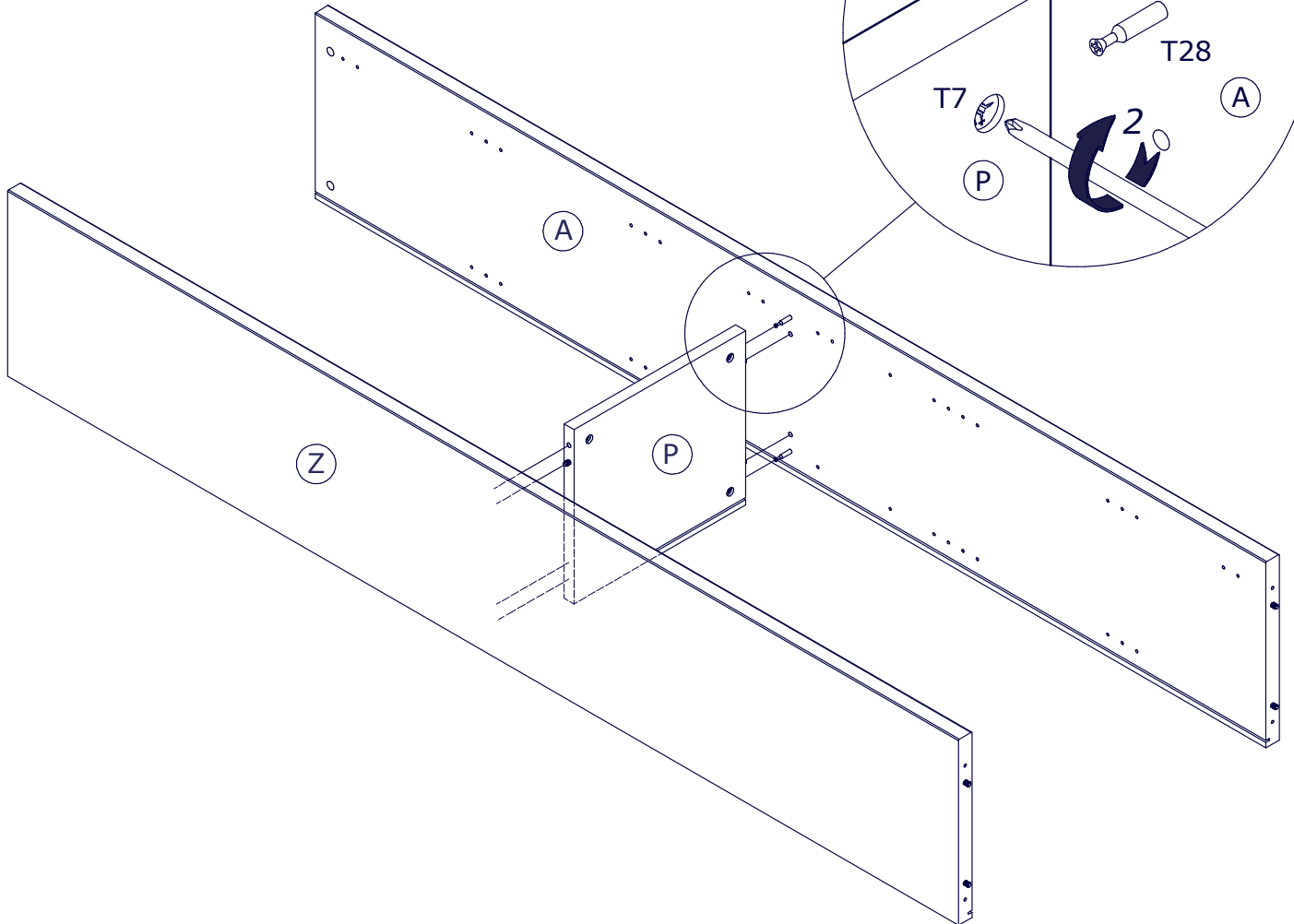
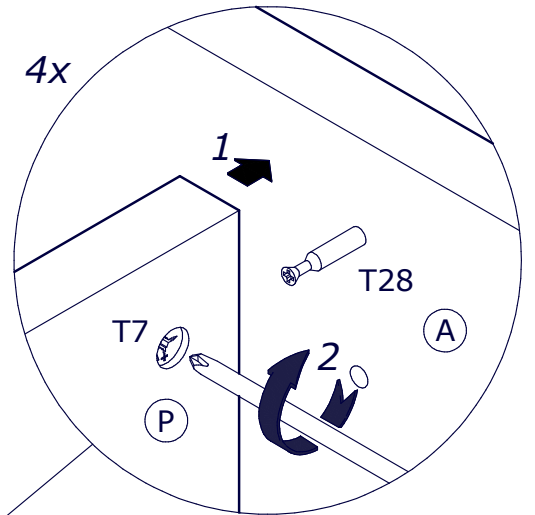
4x



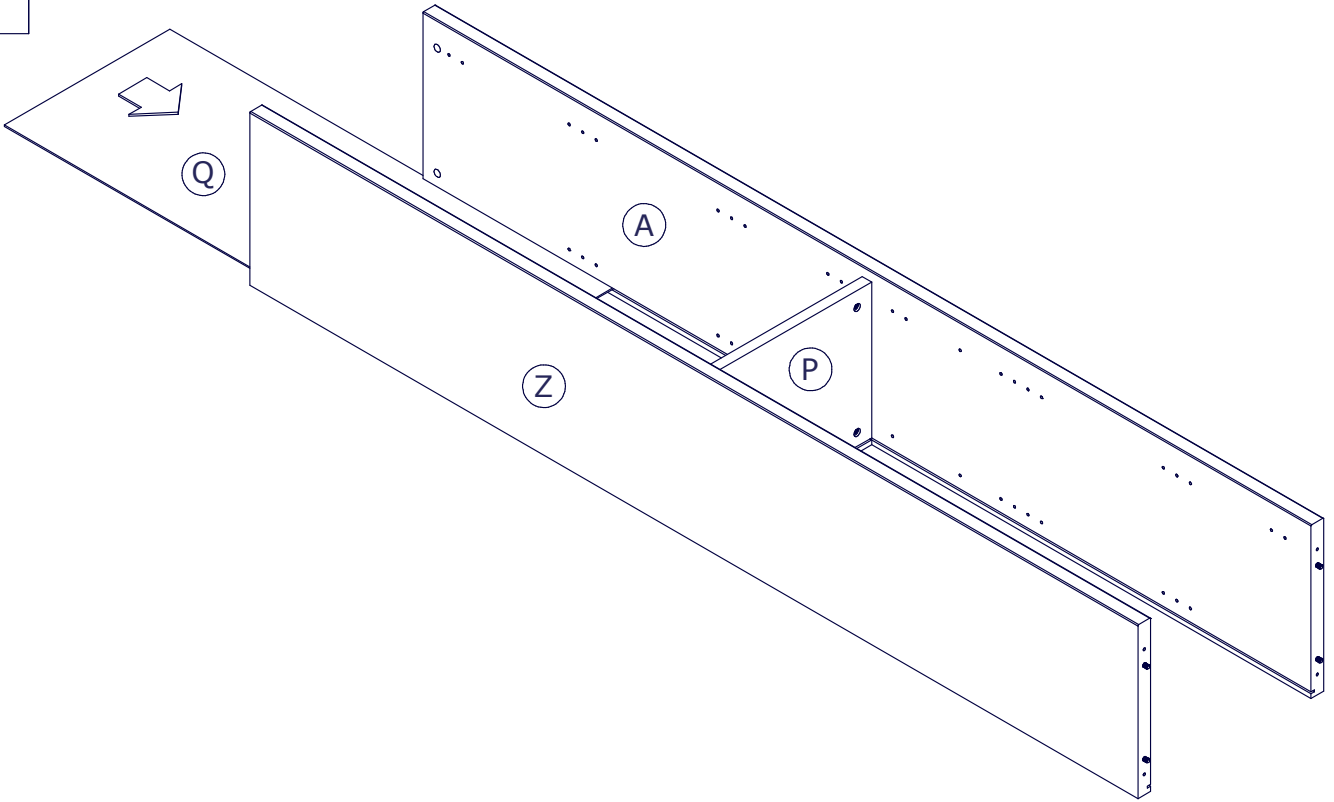
4



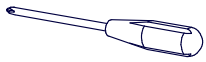
4x



5



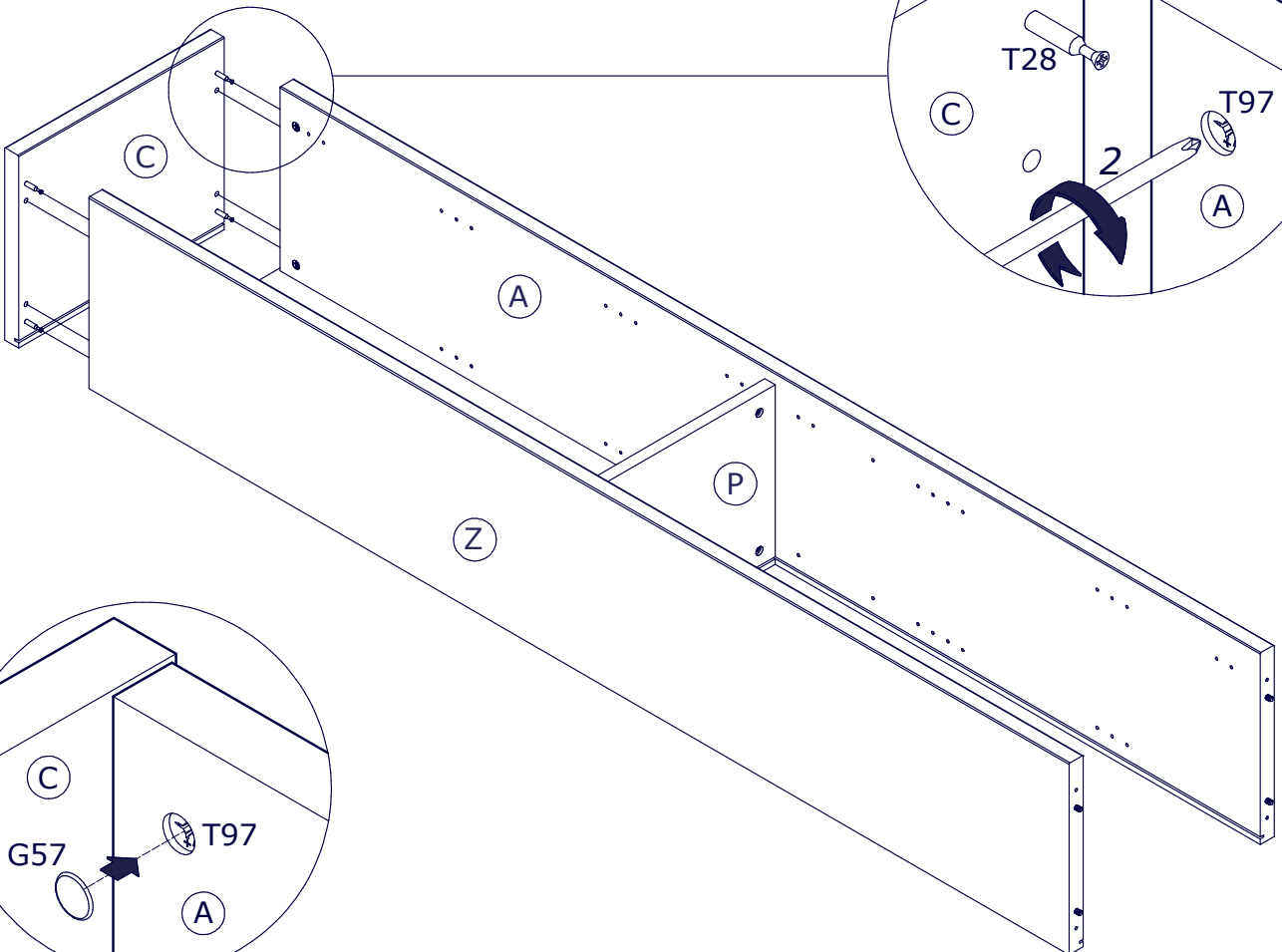
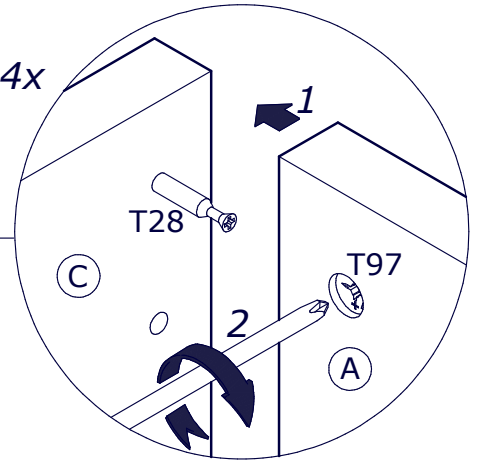
6



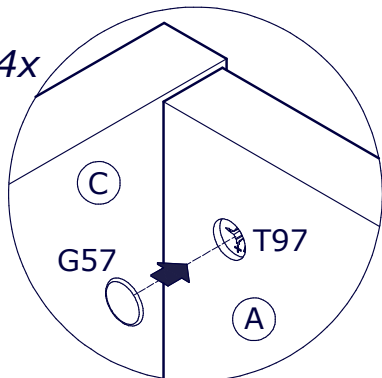
4x G57



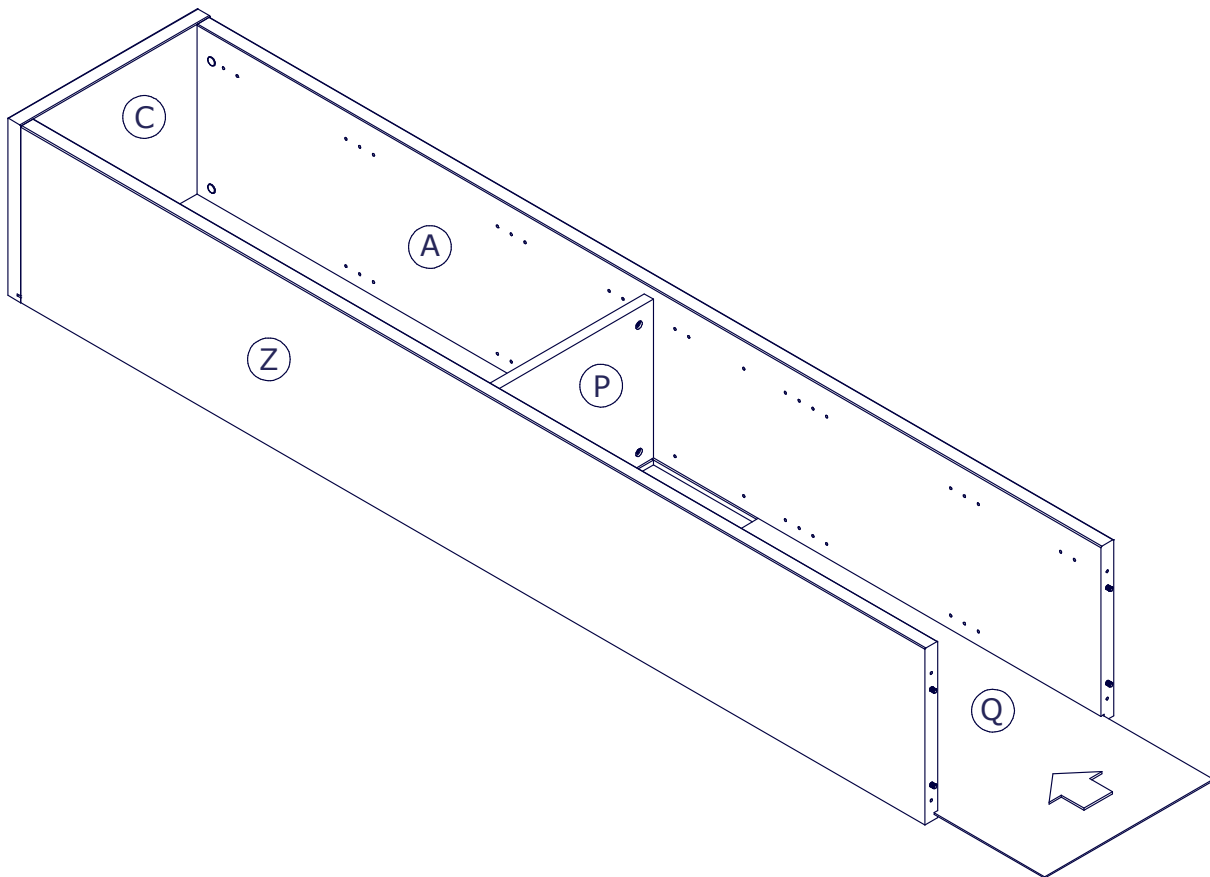
4x



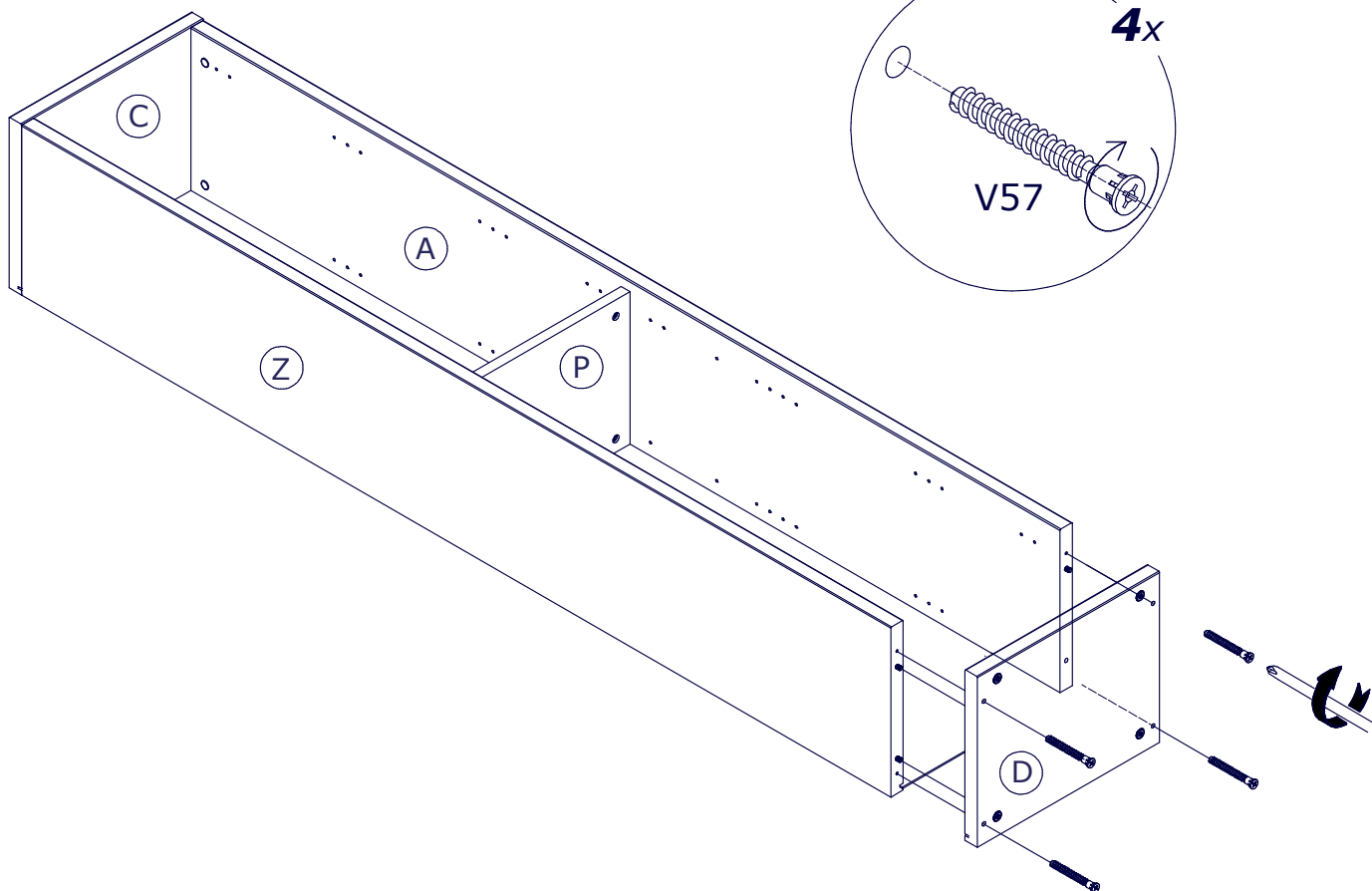
4x



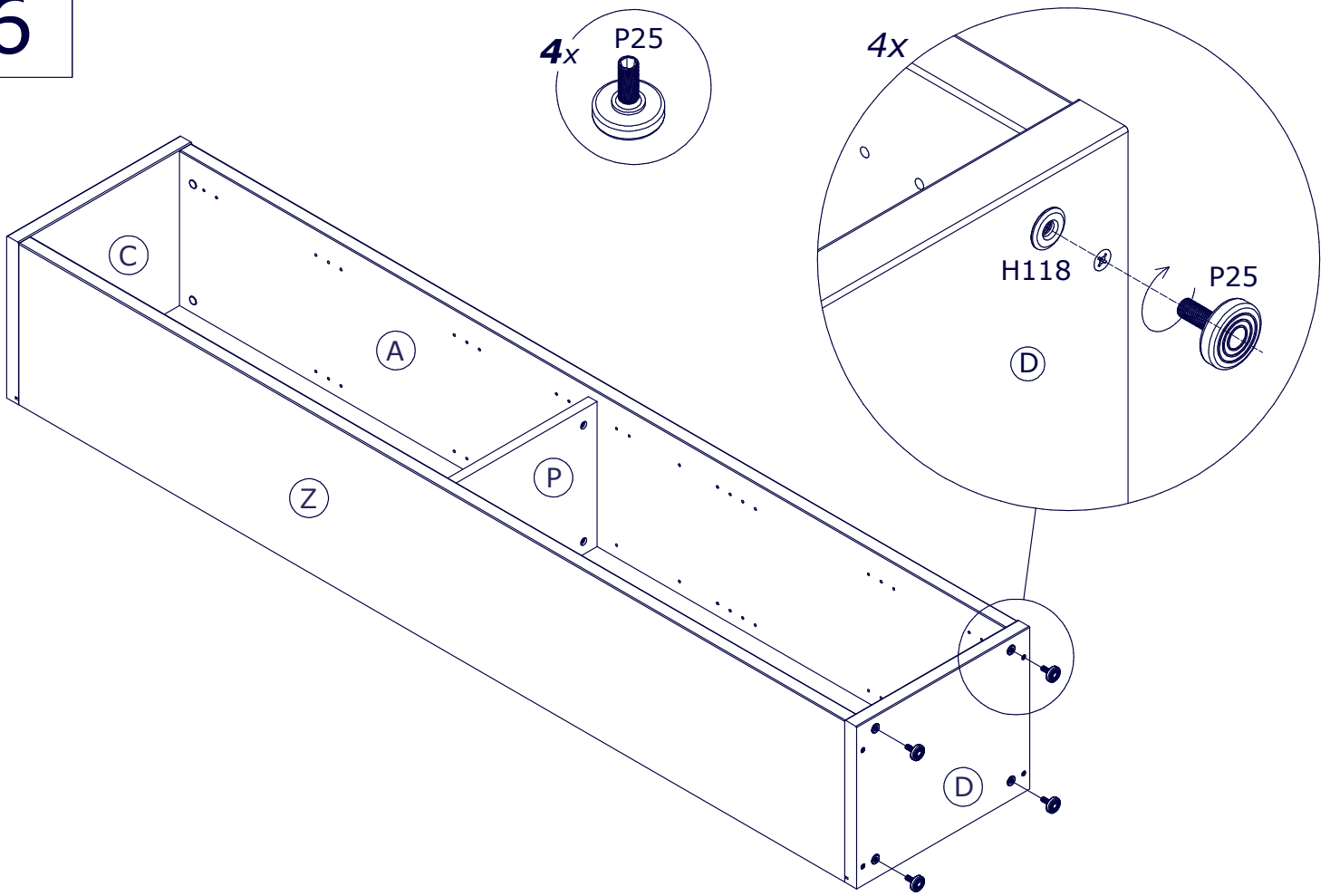
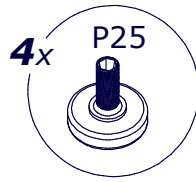
7



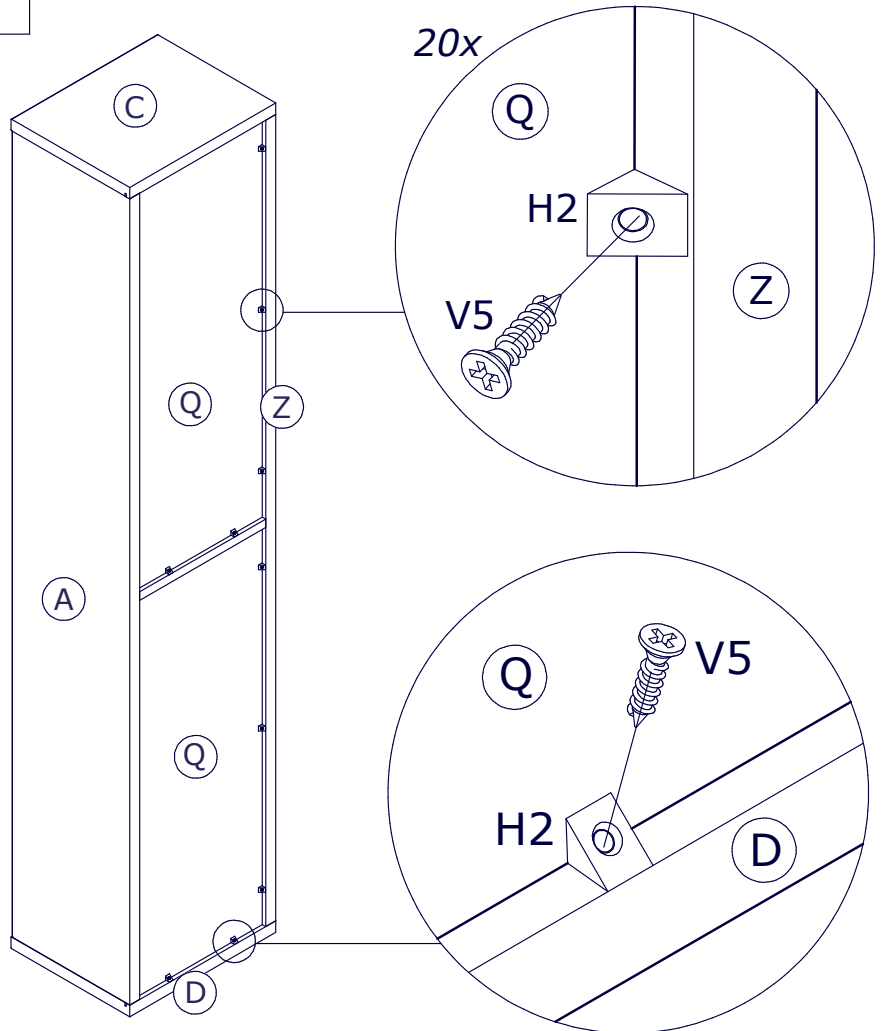
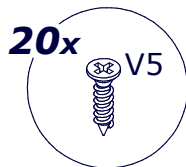
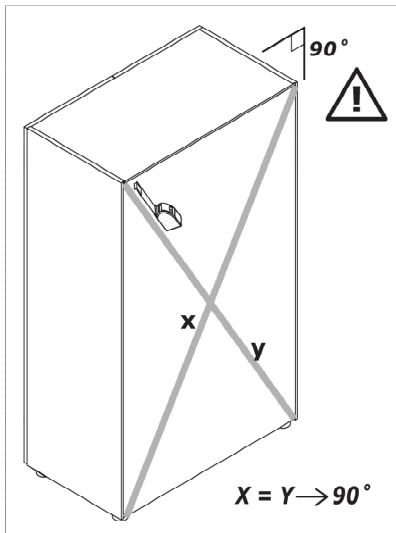
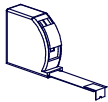
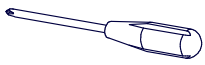
8



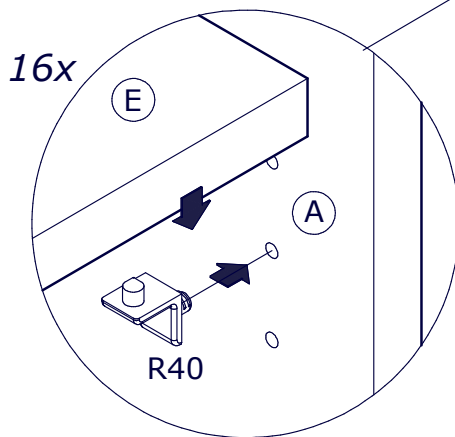
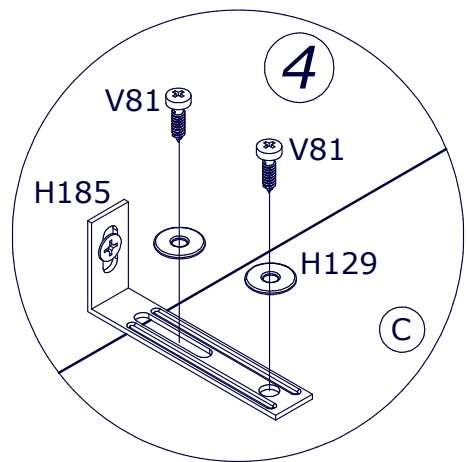
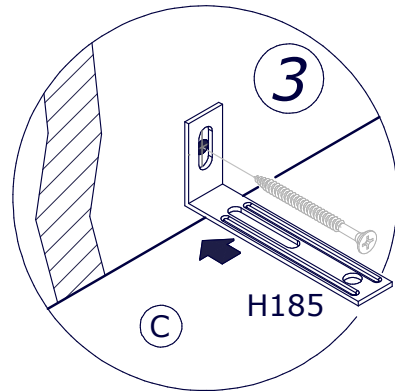
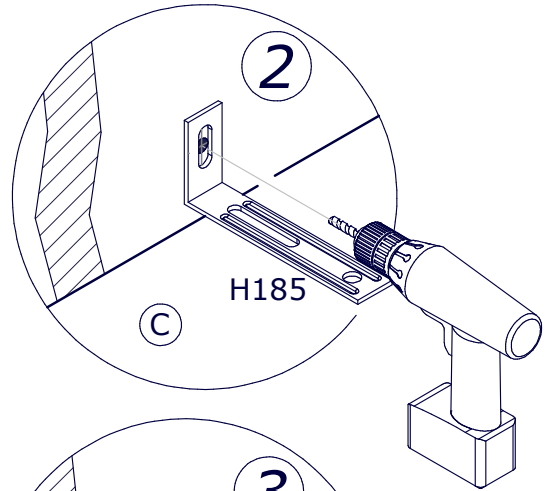
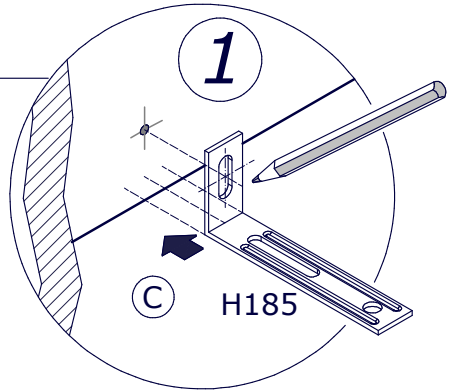
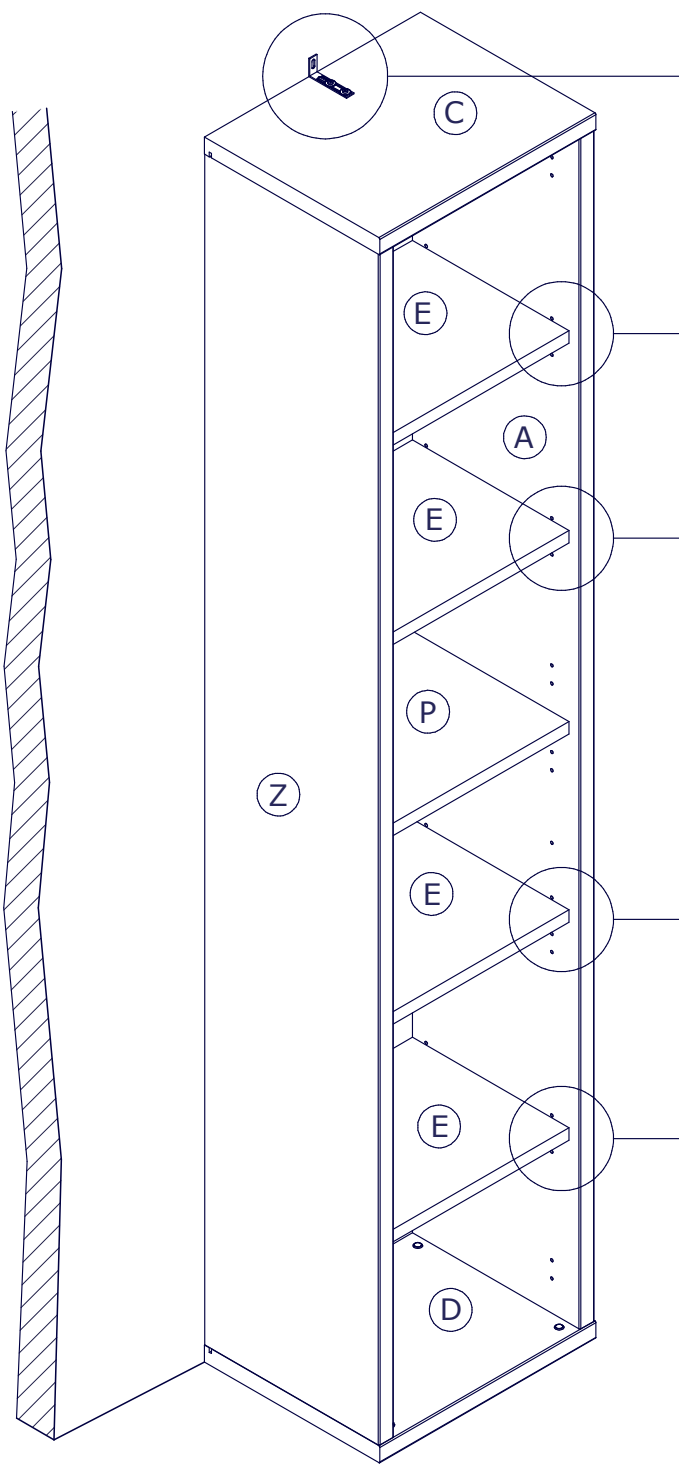
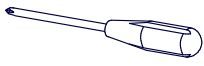
6



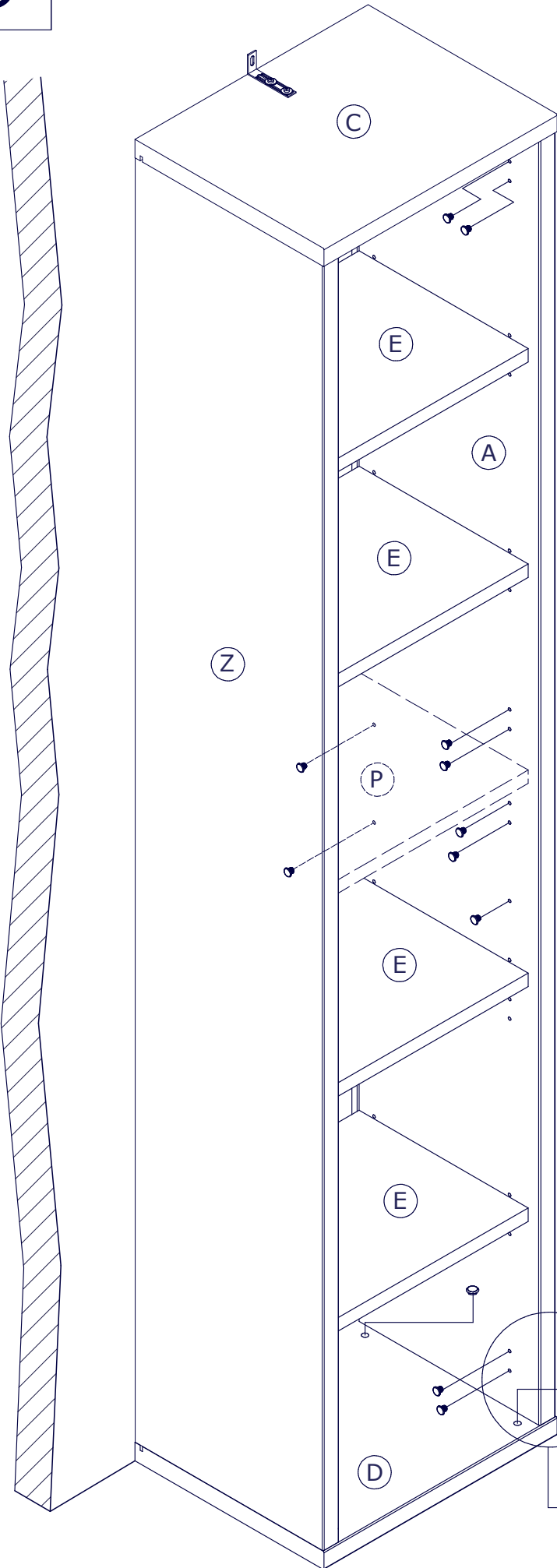
7



8



9



22x G31



4x G120



4x

