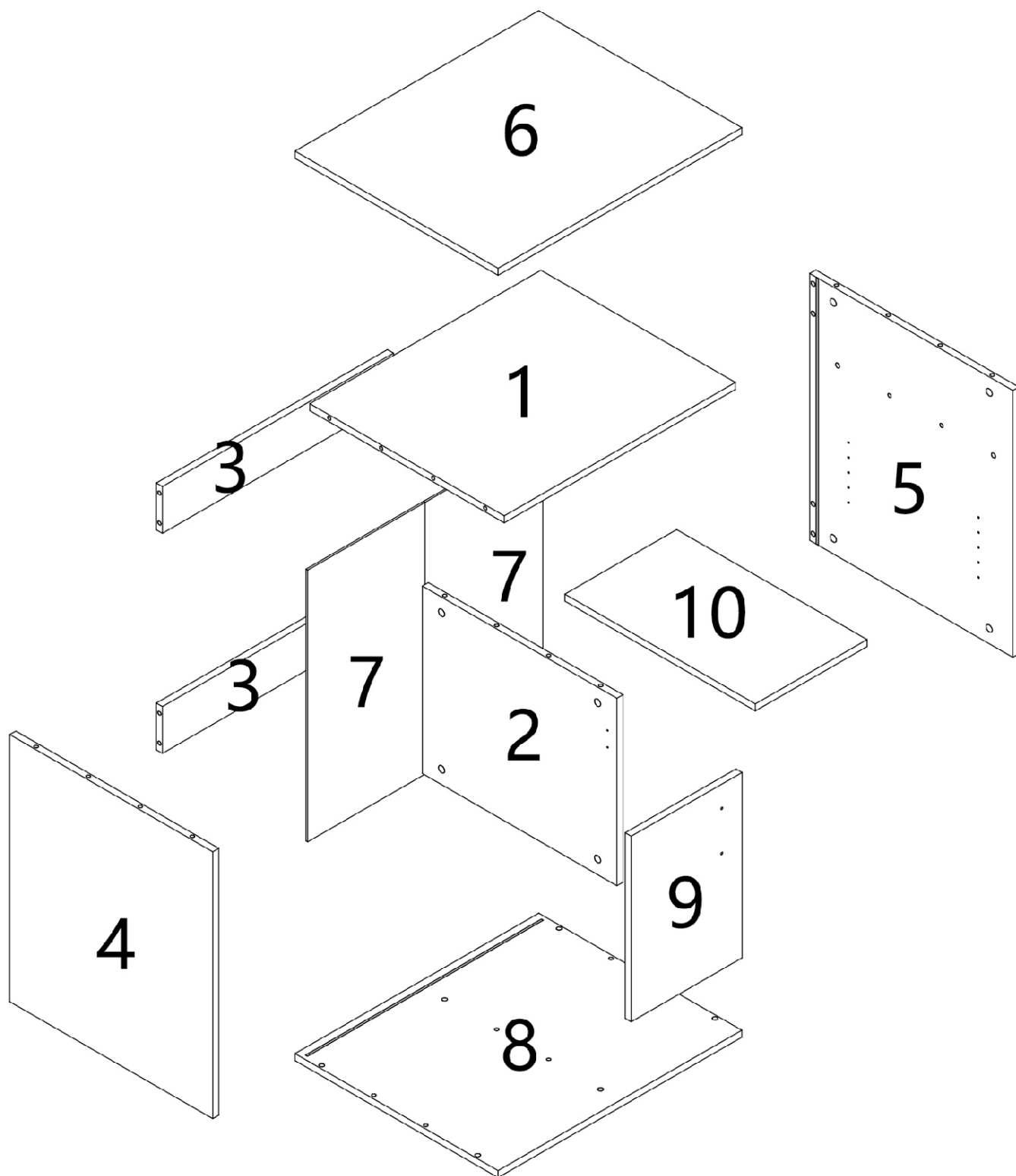








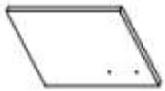
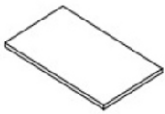



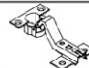








READ AND SAVE THIS INSTRUCTION FOR FUTURE USE

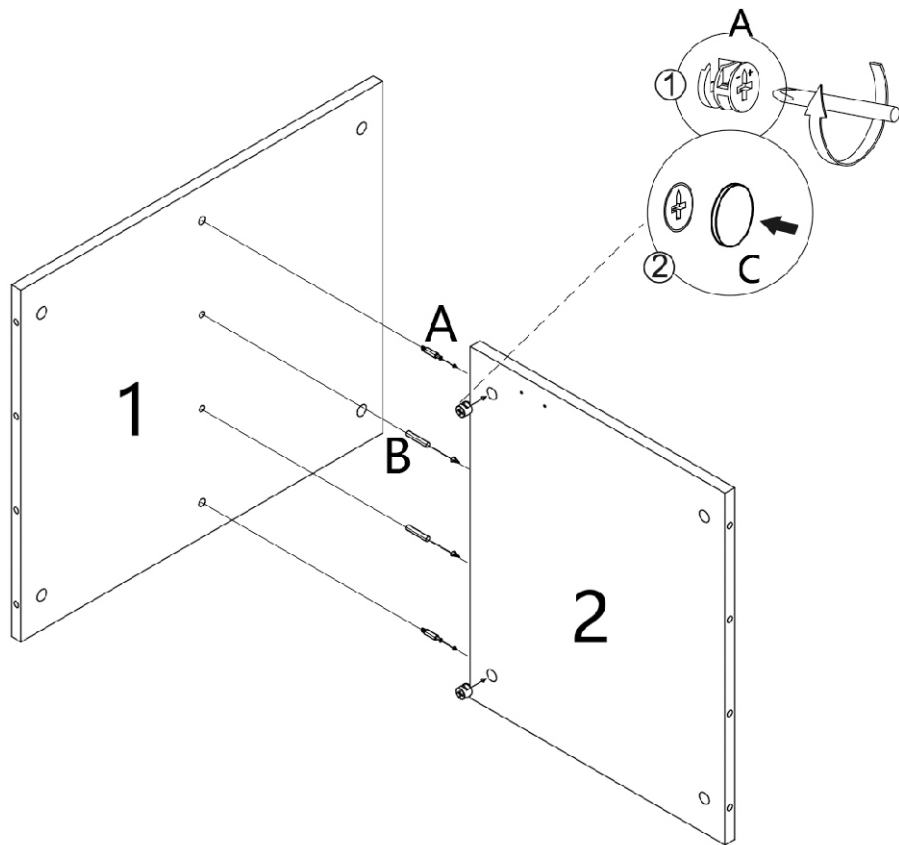
# ASSEMBLY INSTRUCTION



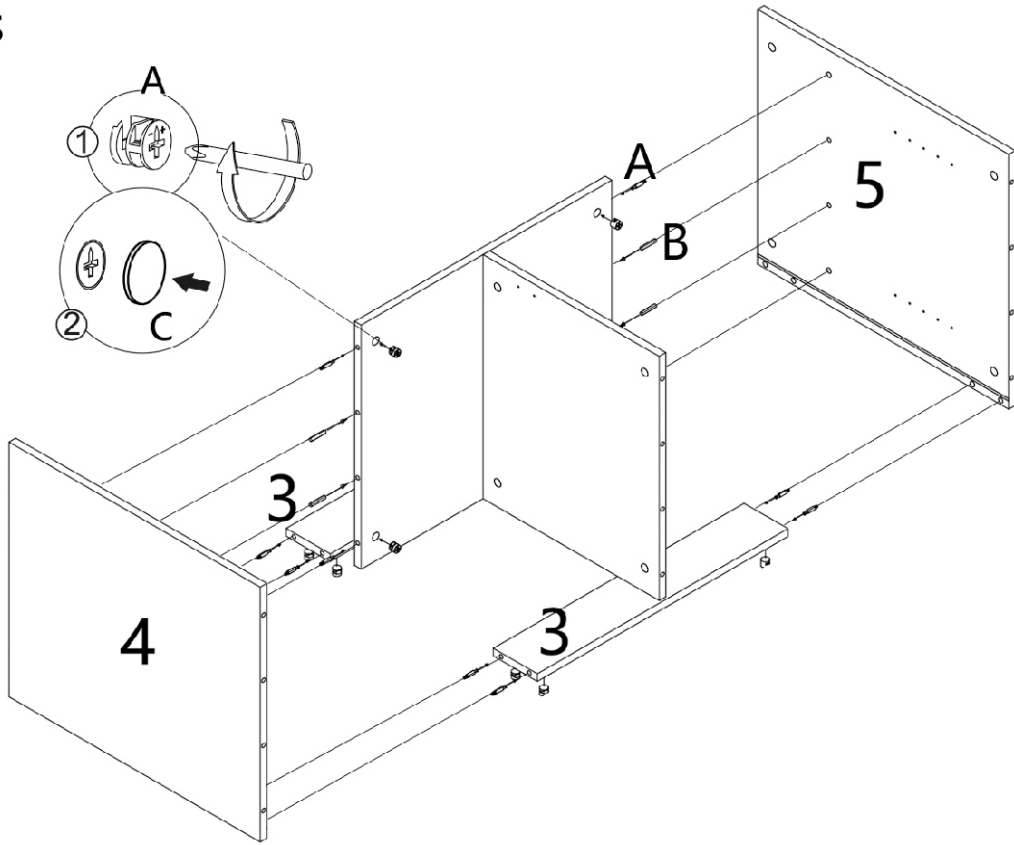
PART NO.	PARTS	QTY
1		1
2		1
3		2
4		1
5		1
6		1
7		2
8		1
9		1
10		1

PART NO.	PARTS	QTY
A		24
B		16
C		2
D		2
E		2
F		2
G		4
H	 3.5x14mm	24
I	 x4 3x14mm	1
J		1

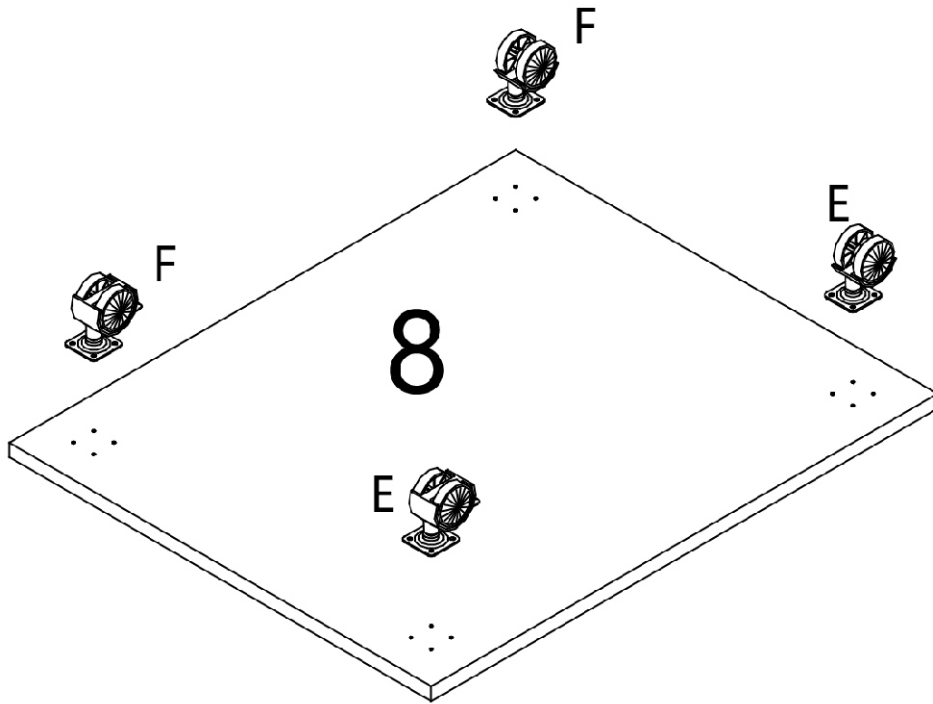
A=2pcs  
B=2pcs



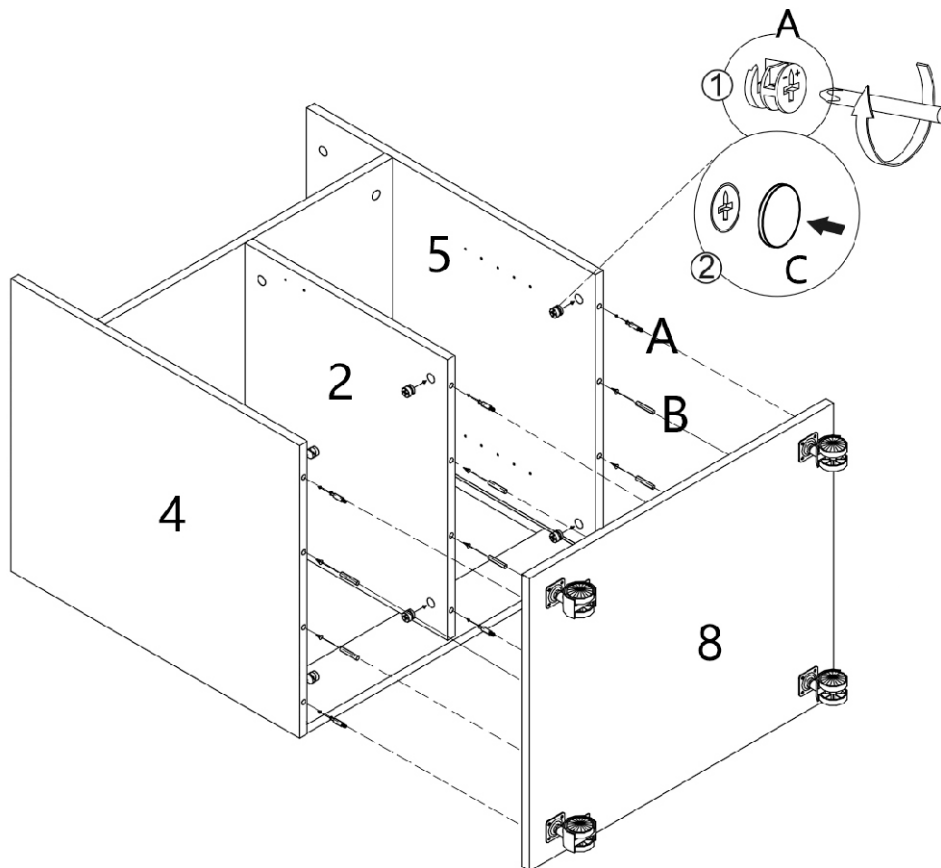
A=12pcs  
B=4pcs

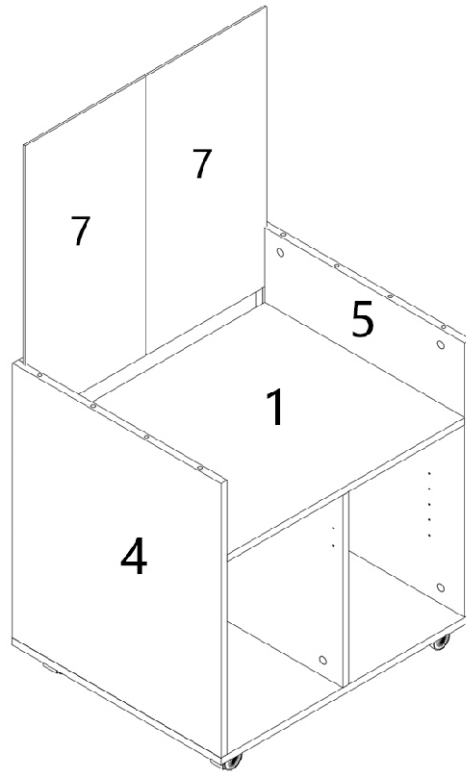


E=2pcs  
F=2pcs  
H=16pcs

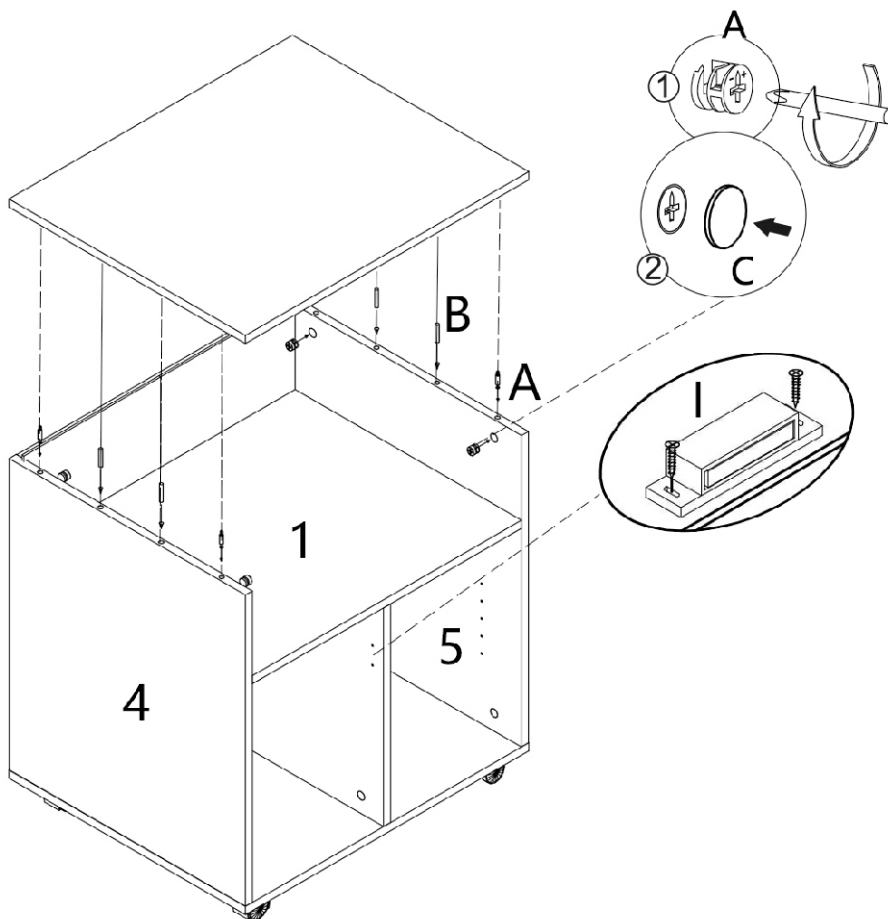


A=6pcs  
B=6pcs





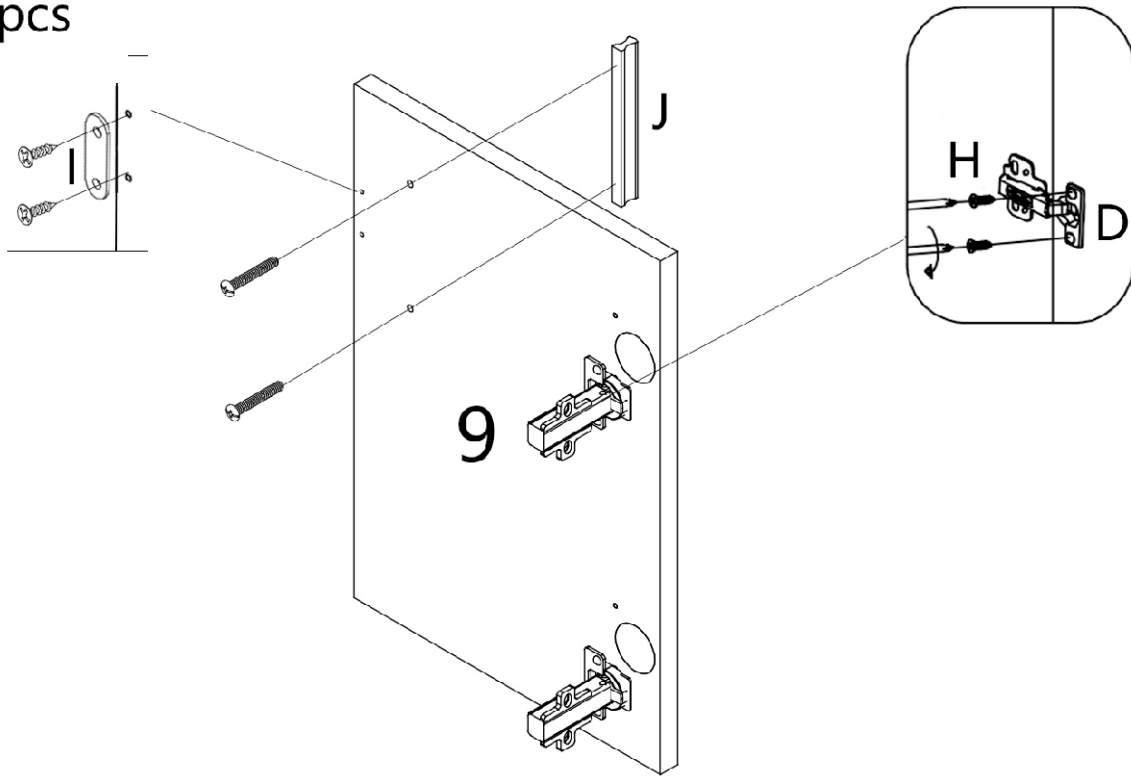
A=4pcs  
 B=4pcs  
 I=1pcs



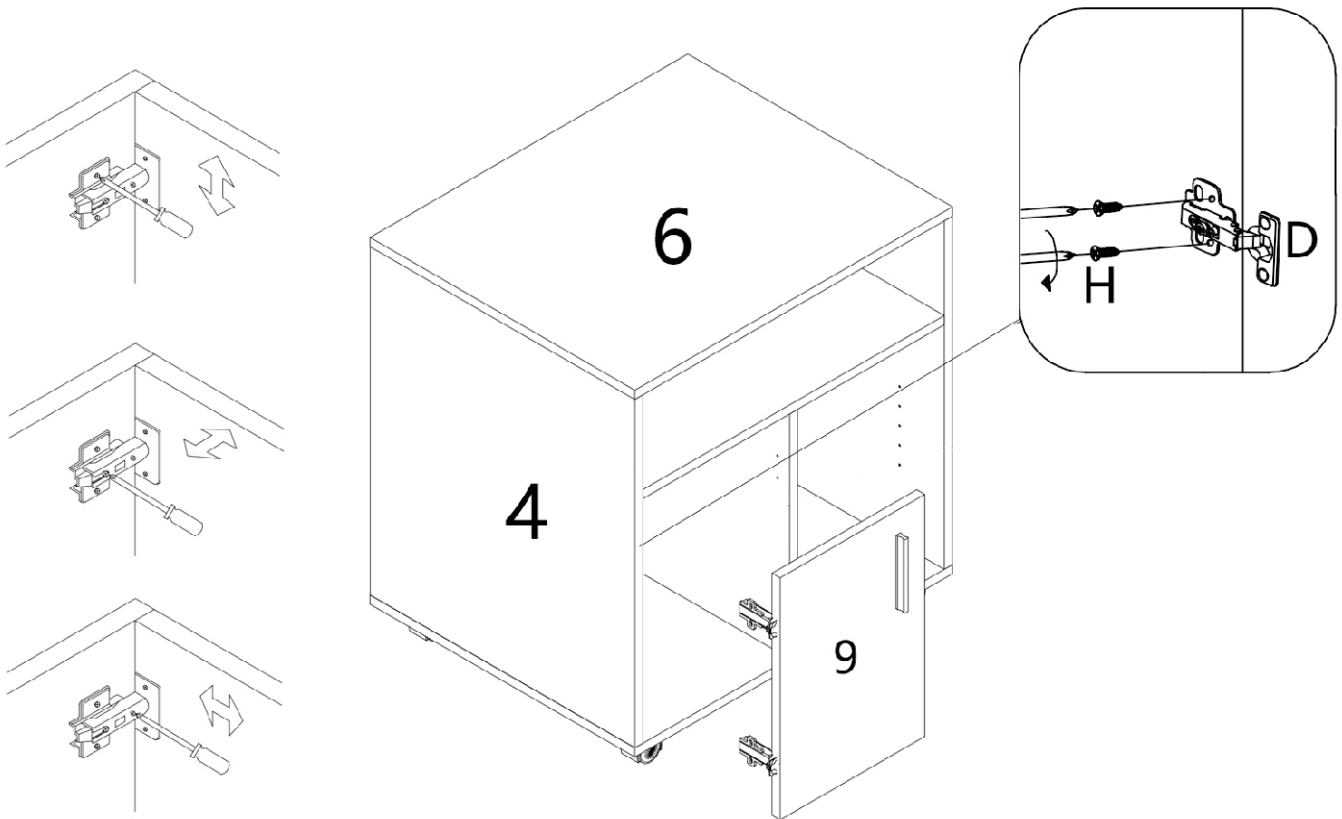
D=2pcs

H=4pcs

J=1pcs



H=4pcs



G=4pcs

