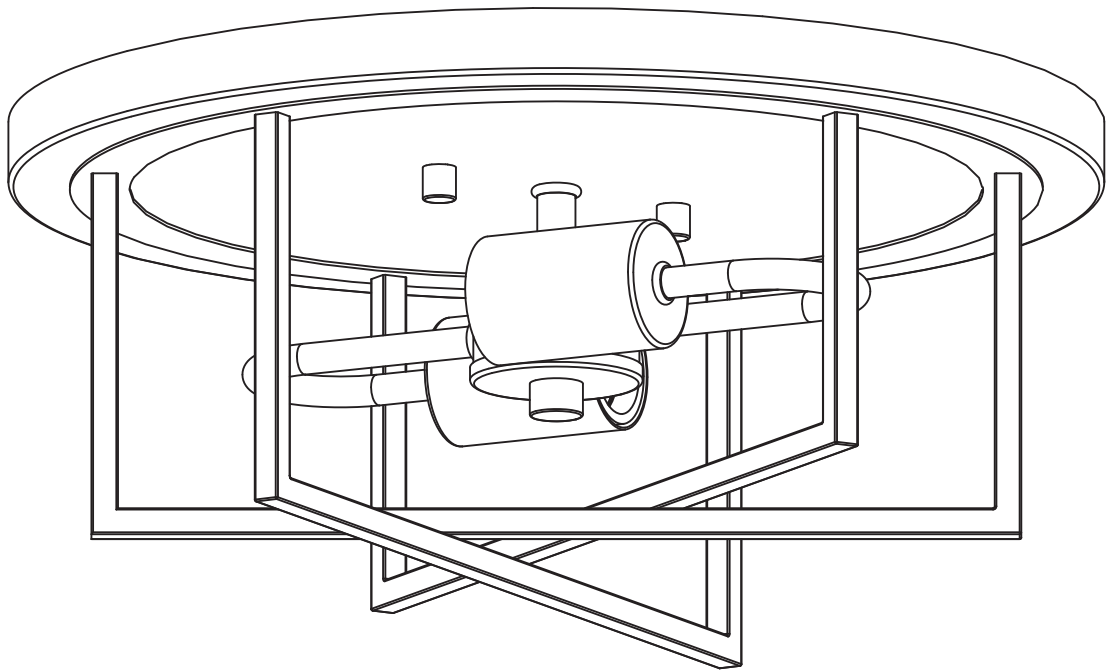


# Assembly Instructions



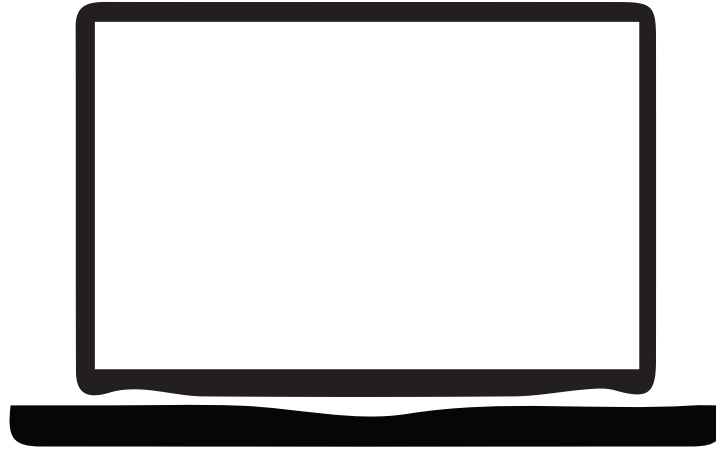
---

Flush Mount

---

# Contact Us

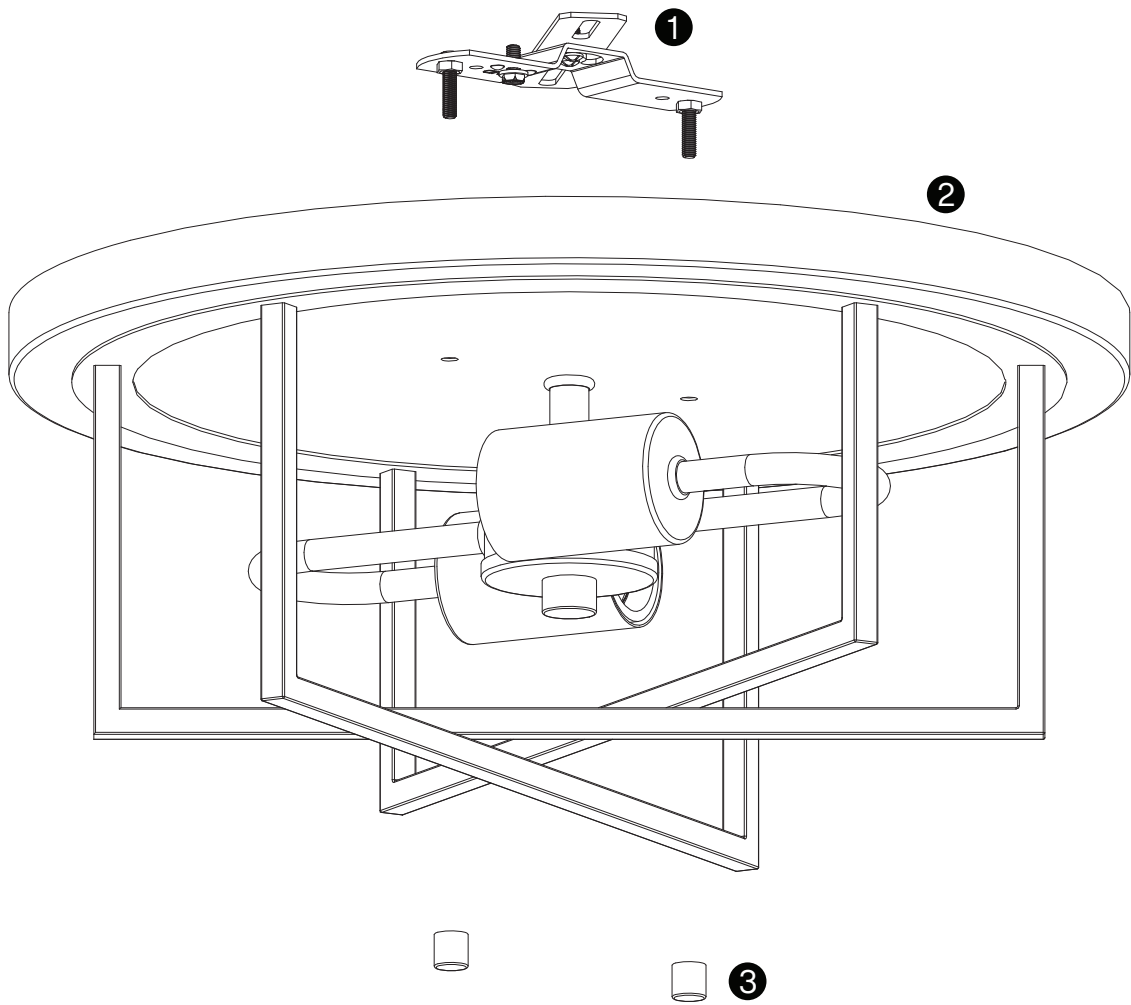
## We're here to help you.



Your satisfaction is our top priority. If you encounter any issues with this product, such as missing or damaged parts, we're here to help. Please retain the original packaging and take photos of the packaging and the product, then contact us as soon as possible.

### Warm Tips

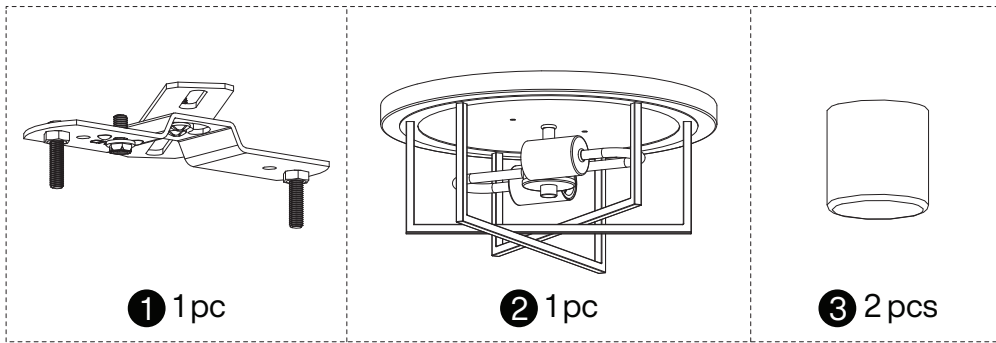
1. Carefully read these instructions and keep them for future reference.
2. Check the parts list and confirm everything's there before starting assembly.
3. When assembling, put all parts on a soft, smooth surface like a carpet to avoid scratches.
4. Don't fully tighten screws until all parts are confirmed in place to avoid misalignment.



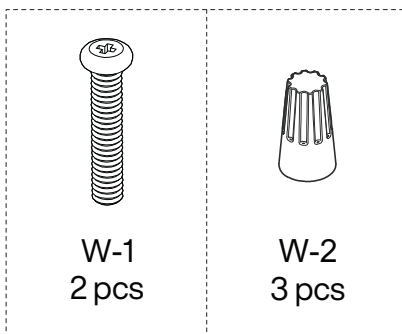
**⚠ Caution**

Make sure all parts are included. Most board parts are labeled or stamped on the raw edge. Contact us for a free replacement if you encounter any damaged or missing parts.

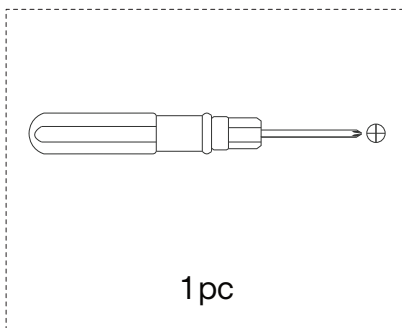
## Parts List



## Hardware List



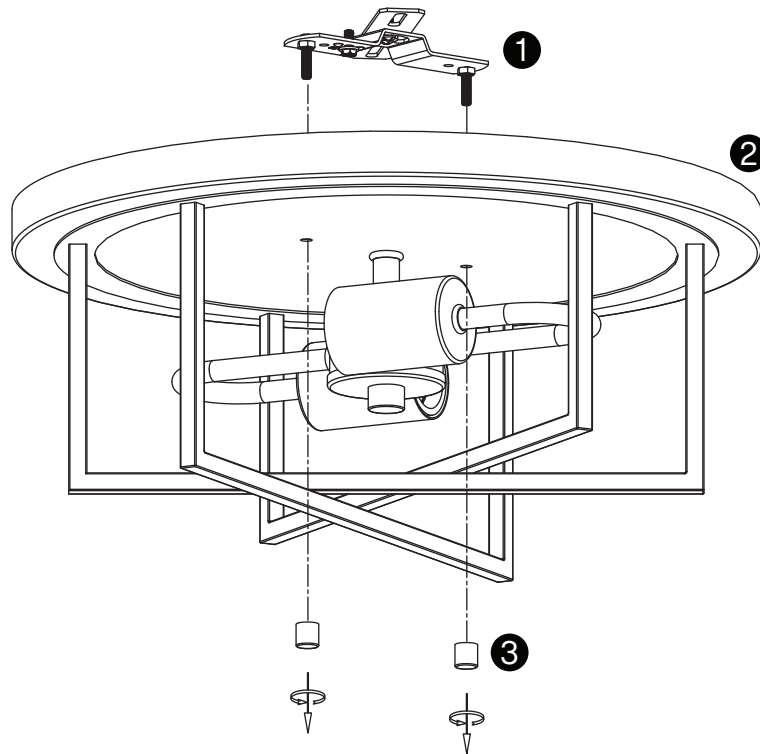
## Tools Require



# 1

## REMOVE MOUNTING BRACKET

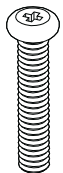
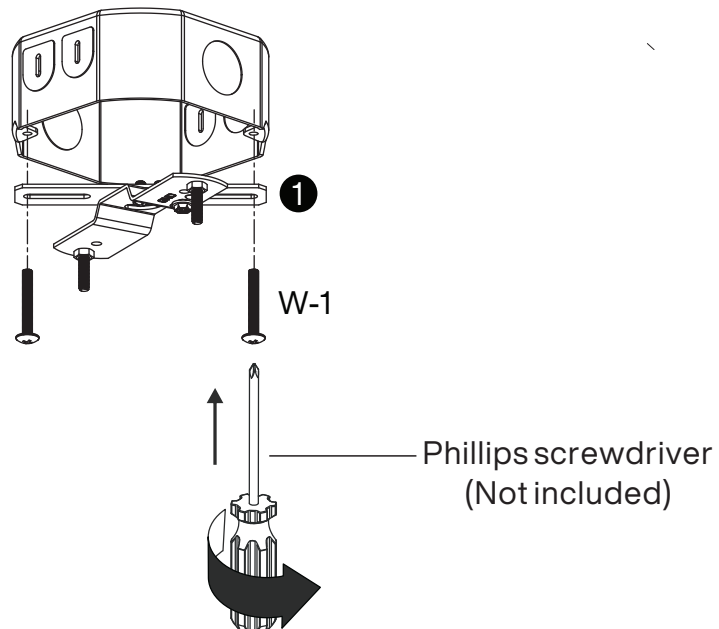
Remove the preassembled mounting bracket(1) and decorative nut(3).



# 2

## INSTALL MOUNTING BRACKET

Attach the mounting bracket(1) to the outlet using the slotted holes on the mounting bracket(1), use a Phillips screwdriver(not included) to tighten the mounting screw(W-1) to the outlet box(not included) until the mounting bracket(1) is secured on the outlet box (not included).

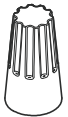
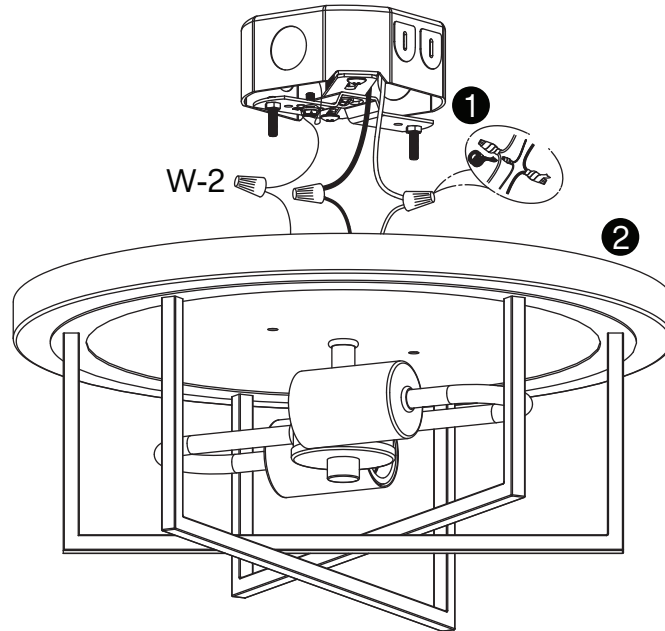


W-1  
2 pcs

### 3

## CONNECT WIRES

Connect the power supply wires to the fixture lead wires by connecting the black fixture wire to the black supply wire, and the white fixture wire to the white supply wire using wire connector(W-2). Connect the fixture ground wire to the house ground wire by fixed on the mounting bracket(1). Carefully tuck all wiring back into the outlet box(not included).

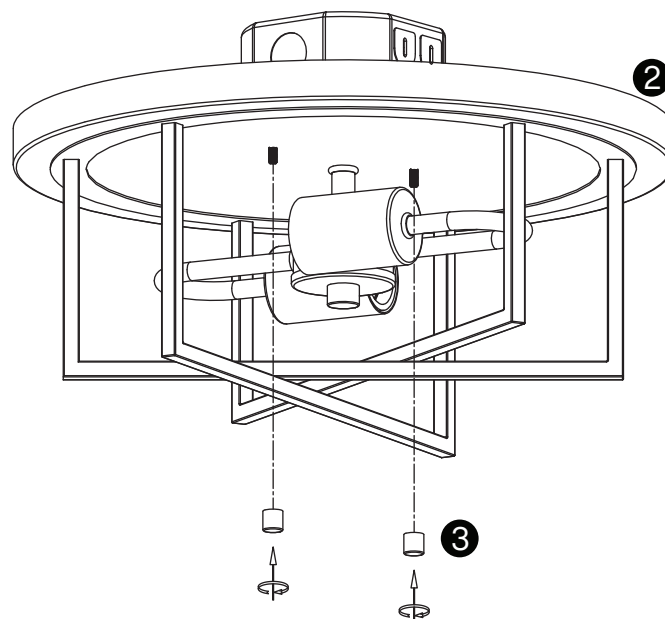


W-2  
3 pcs

### 4

## INSTALL DECORATIVE NUT

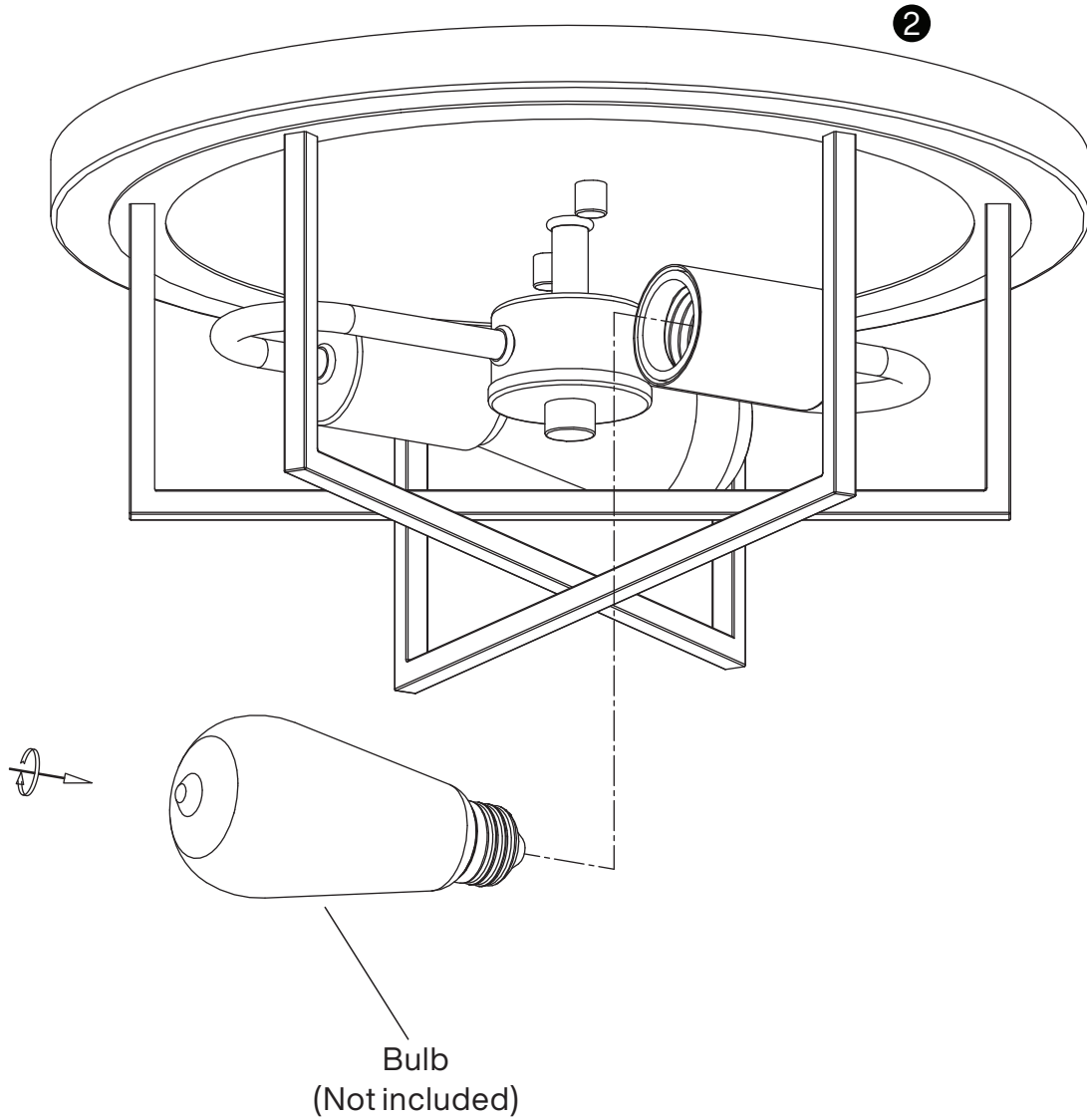
Align the fixture base(2) over the outlet box(not included). Secure the fixture base(2) into place using the two provided decorative nuts(3) and tighten until secure.



# 5

## INSTALL BULB

Install light bulb(not included) in accordance with the fixture's specifications. Do not exceed the maximum recommended wattage.



**Thank you for your support!**

