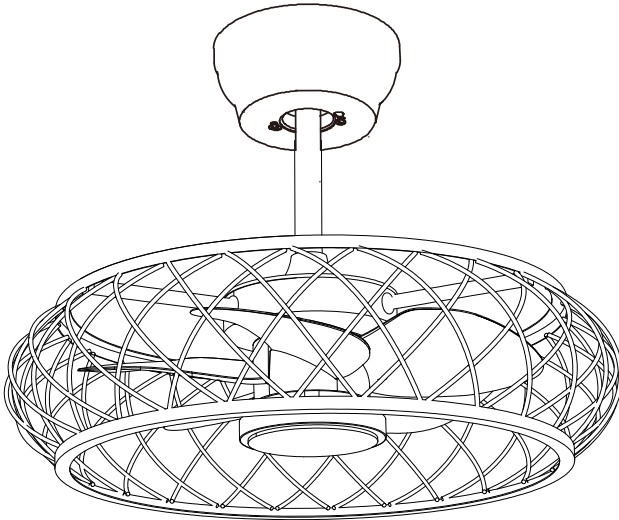


Manual Book

Ceiling Fan With Lights



Safety Rules

1. Be sure the power to the wires you are working on is disconnected, either the fuse is removed or the circuit breaker is turned off. Turning the power off using the light switch is not sufficient to prevent electrical shock.
2. A qualified licensed electrician is required for the installation.
3. The outlet box and support structure must be securely mounted and capable of reliably /supporting a minimum of 70 pounds. Use only UL (cUL for Canadian Installation) listed mounting boxes marked "FOR FAN SUPPORT".
4. The fan must be mounted with a minimum of 7 feet clearance from the trailing edge of the blades to the floor.
5. Do not operate reversing switch while fan blades are in motion (if applicable). The fan must be turned off and the blades stopped before reversing the blade direction.
6. Do not place any objects in the path of the blades.
7. To avoid personal injury or damage to the fan and other items, be cautious when working around or cleaning the fan.
8. Do not use water or detergents when cleaning the fan or fan blades. A dry dust cloth or lightly dampened soft cloth will be suitable for the cleaning.
9. After marking electrical connections, spliced conductors should be turned upward and pushed carefully up into the outlet box. The wires should be spread apart with the grounded conductor on one side of the outlet box.
10. Electrical diagrams are reference only, different fan lights may have different light shades and bulbs.
11. Use only our replacement parts. This equipment has been tested and found to comply with the limits for a class B digital device, pursuant to part 15 of the FCC Rules. These limits are to provide reasonable protection against harmful interference in a residential installation. This equipment generates, uses, and radiate radio frequency energy and if not installed and used in accordance with the instructions may cause harmful interference to radio communications.

Warning:

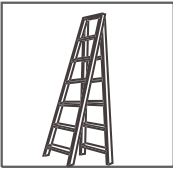
To reduce the risk of personal injury, use only the two steel screws and washers provided with the outlet box for mounting to the outlet box. Most outlet boxes commonly used for the support of lighting fixtures are not acceptable for fan support and need to be replaced, consult a qualified electrician if in doubt.

To reduce the risk of fire, electric shock, or personal injury, mount the fan to the outlet box marked "acceptable for fan support".

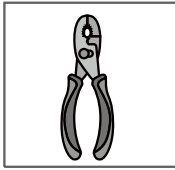
To reduce the risk of personal injury, do not bend the blade brackets (also referred to as flanges) during assembly or after installation. Do not insert objects in the path of the blades.

Installation Preparation

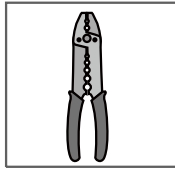
Tools You Need



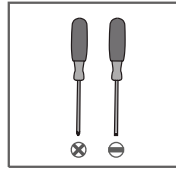
Ladder



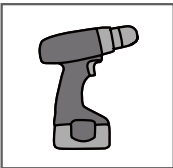
Pliers



Wire Strippers



Screwdrivers



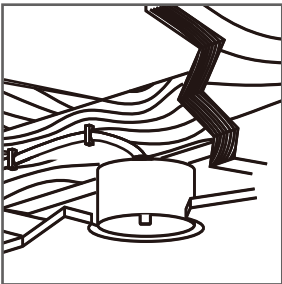
Power Drill (optional)



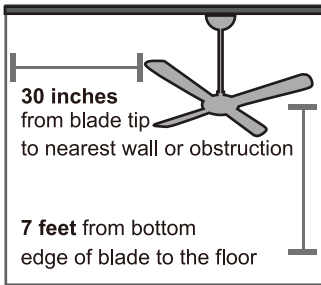
Drill Bit (optional)

If mounting to a support structure, you will also need the optional tools.

What to Expect with Your Installation



Must be able to secure the fan to building structure or fan-rated outlet box

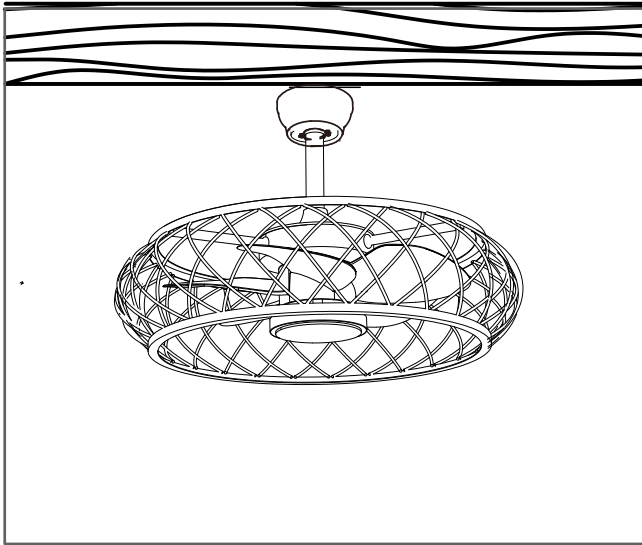


Assess location

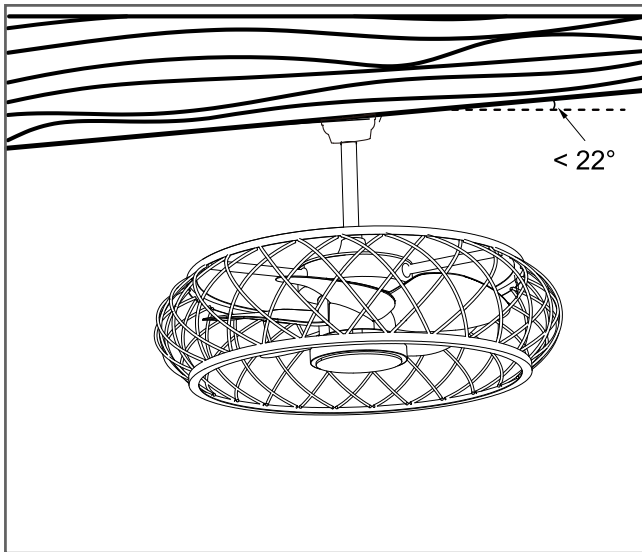


Check the box to see the weight of the fan

Installation Angle



Flat Ceiling


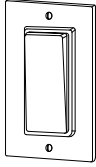

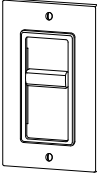
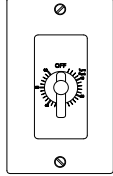
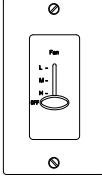
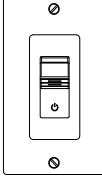


Sloped Ceiling ($< 22^\circ$)

Switch Selection

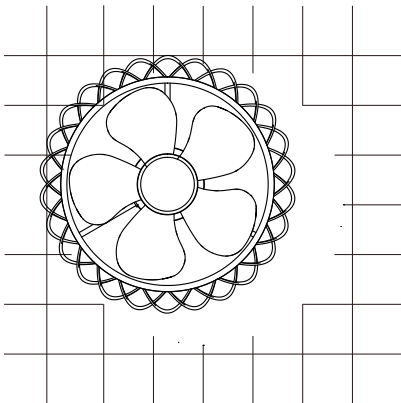
Note: Using a dimmer switch to control the fan may damage the fan. To reduce the risk of fire or electrical shock, do not use a dimmer switch to control the fan.

The recommended switches are as follows:

 <p>Recommended:</p>	 <p>Single Pole Switch (Not Included)</p>
 <p>Not Recommended:</p>	    <p>Dimmer Switch Timer Switch Fan Speed Control Switch Motion Sensor Switch</p>

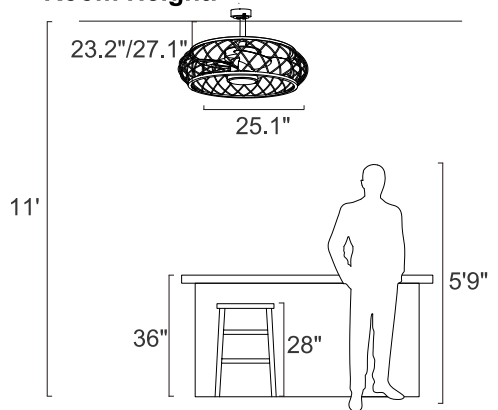
Installation Recommended

Room Size:



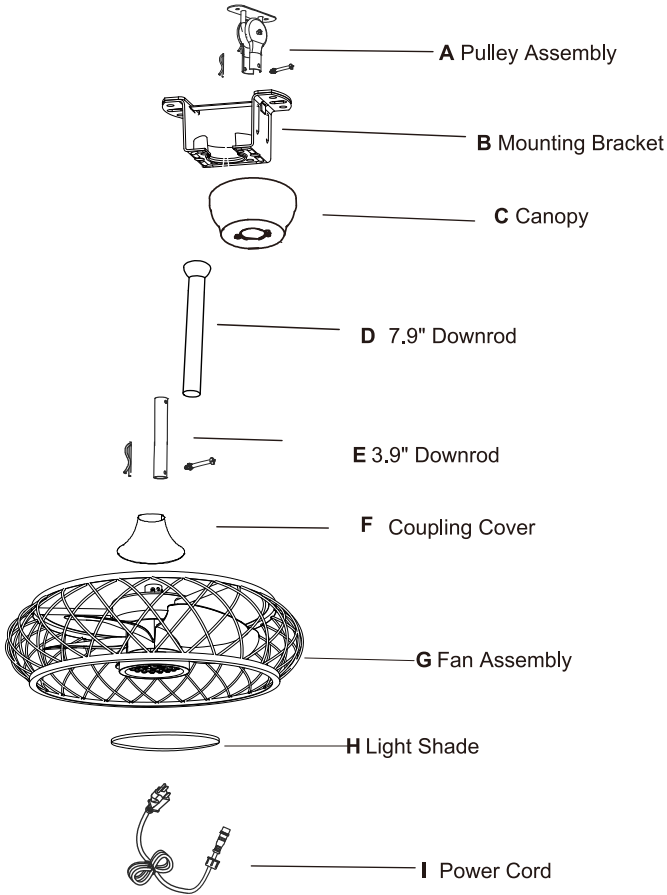
UP TO 12 ft × 14 ft

Room Height:







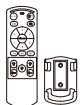



Recommended ceiling height: 8 to 12 ft.

Packing List



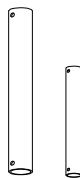
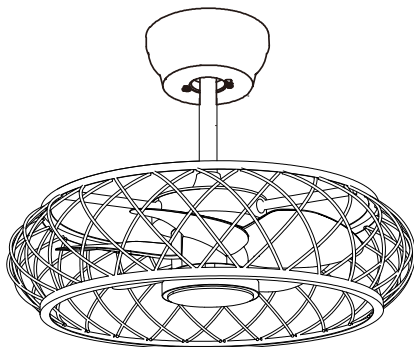
Installation Kits

AA	2x	BB	2x	CC	2x	DD	2x
							
Outlet Box Screw		Washer		Wood Screw		Anchor	
EE	2x	FF	1x	GG			
							
Cord Tie		Gloves		Remote Control & Holder		Remote Holder Anchor & Screw x 2	

Note: The listed quantity is for installation, extra hardware may be included.

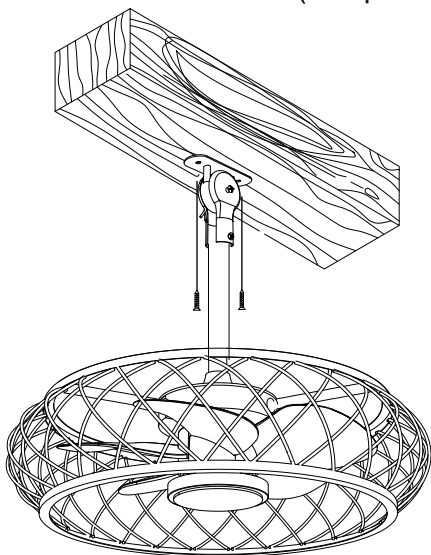
Installation Option

**Note: This product offers three hanging options.
Please choose the appropriate one according to your situation.**

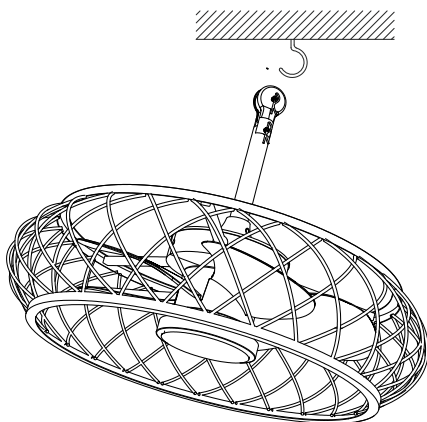


D/E 2 sizes for free matching

**Installation Option 1
(Adapt To Outlet Box)**



**Installation Option 2
(Adapt To Solid Wood Structure)**



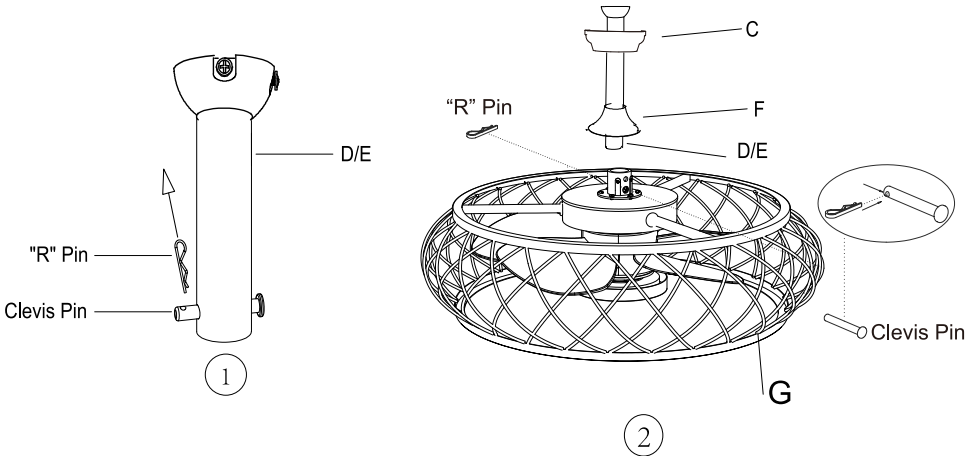
**Installation Option 3
(Adapt To Ceiling Hook)**

Installation Option 1 (Adapt To Outlet Box)

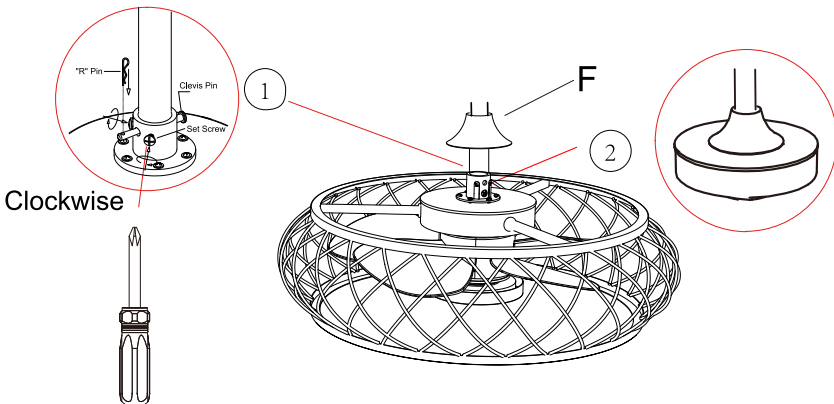
1. Assemble the Fan

Step 1. Remove the clevis pin and "R" pin from the 7.9-inch downrod (D/E).

Step 2. Assemble the canopy (C) and coupling cover (F) onto the downrod (D/E), align the holes of the downrod with those in the fan assembly (G) then insert the clevis pin and "R" pin.



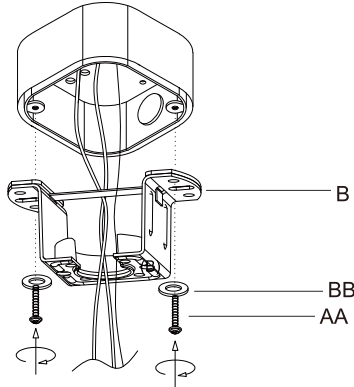
Step 3. Tighten the set screws on the downrod hub to secure the downrod (D/E). then fit the coupling cover (F) onto the fan assembly.



Installation Option 1 (Adapt To Outlet Box)

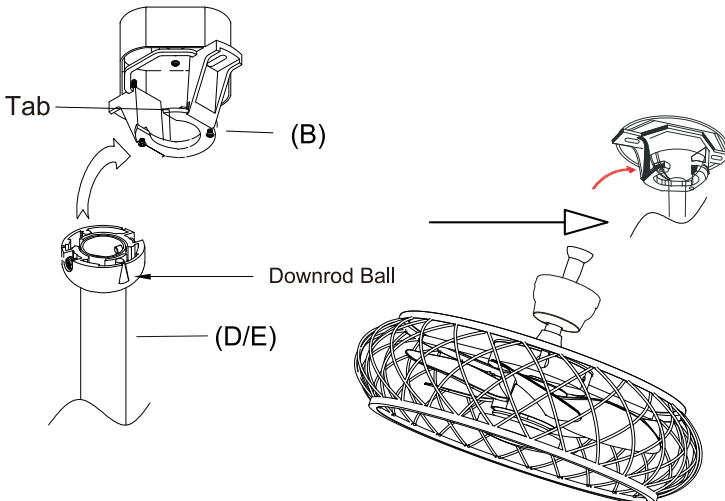
2. Hang the Fan

Step 1. Fix the mounting bracket (B) onto the outlet box with screws(AA) and washers(BB) from the outlet box or provided in the package. And then loosen the canopy screws but do not take off.



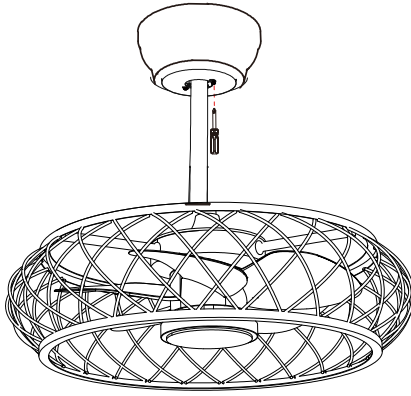
Step 2. Lift the downrod into the mounting bracket .

Step 3. Rotate the downrod (D/E) until the tab in the bracket is seated in the fixation slot in the downrod ball.



Installation Option 1 (Adapt To Outlet Box)

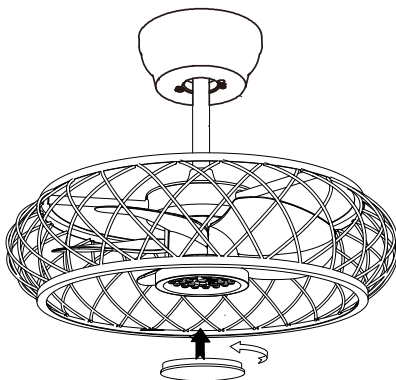
Step 4. Raise the canopy to the ceiling, rotate it to lock onto the screws.



Installation Option 1 (Adapt To Outlet Box)

3. Assemble the Light Shade (H)

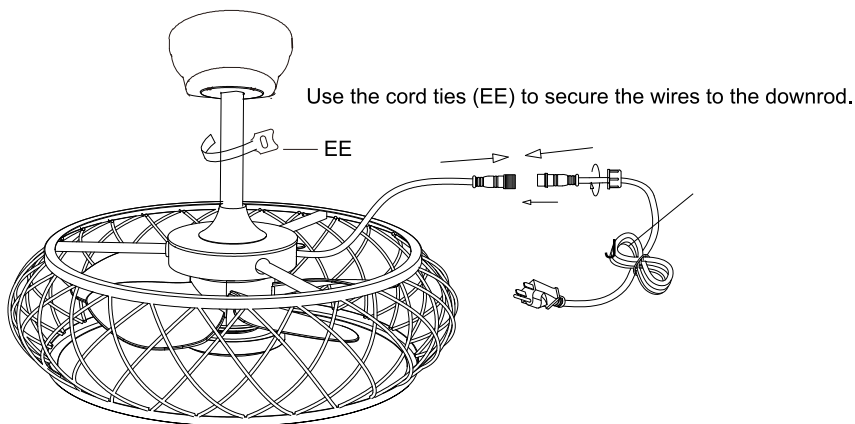
Attach the light shade (H) and secure it.



Clockwise

4. Connect the Power Cord

Connect the power cord (I) and tighten the nut to secure the connection.

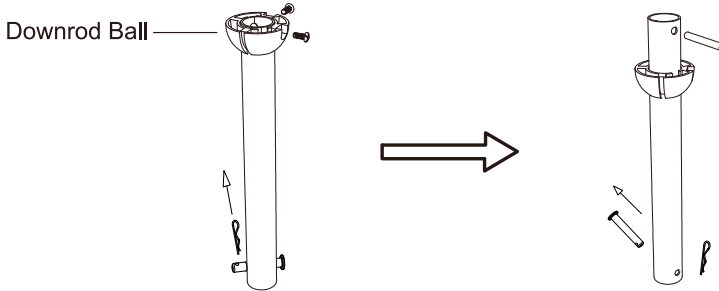


Installation Option 2 (Adapt To Solid Wood Structure)

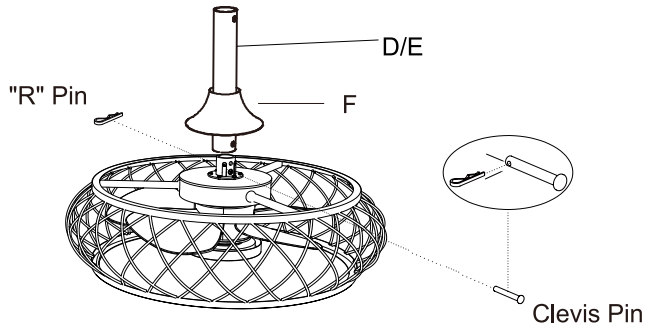
1. Assemble the Fan

Step 1. Remove the clevis pin and "R" pin from the downrod (D/E) assembly.

Step 2. Loosen the screws on the downrod ball and take off the ball.

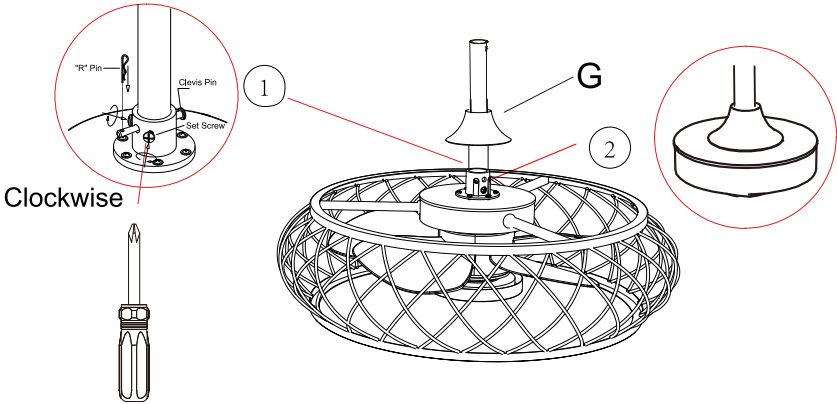


Step 3. Assemble the coupling cover (F) onto the downrod(D/E), align the holes of the downrod (D/E) with those in the fan assembly, insert the clevis pin and "R" pin taken off from downrod.



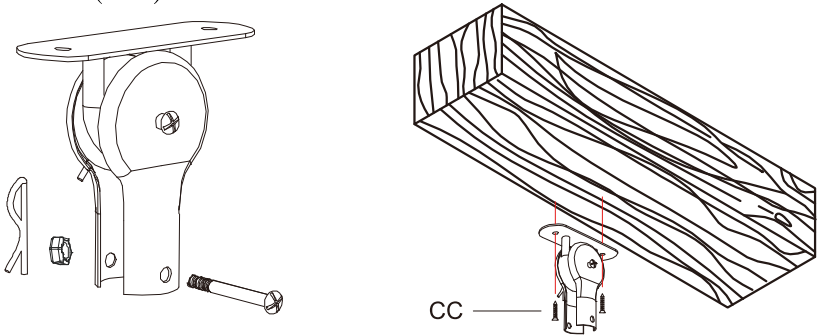
Installation Option 2 (Adapt To Solid Wood Structure)

Step 4. Tighten the screws on the downrod hub to secure the downrod (D/E) and then fit the coupling cover (F) onto the fan assembly.



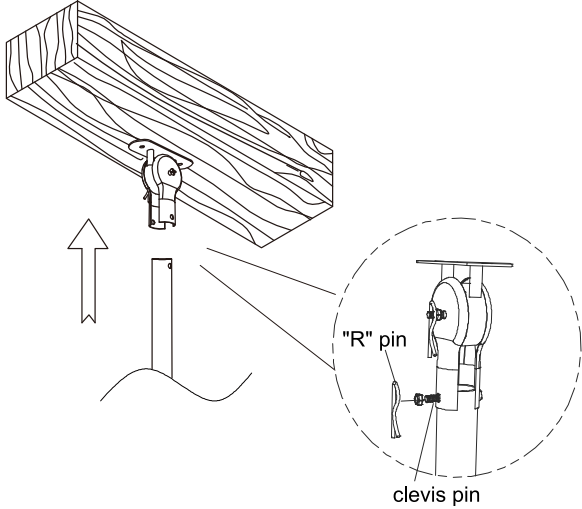
2. Hang the Fan Using Pulley Assembly (A)

Step 1. Remove the clevis pin and "R" pin from the pulley assembly and then mount the pulley assembly to the solid wood structure with wood screws (CC).



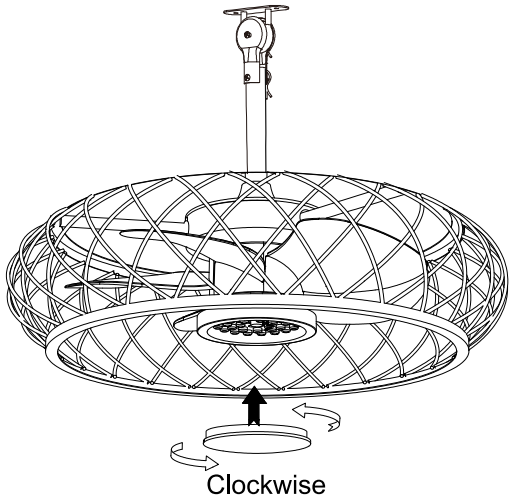
Installation Option 2 (Adapt To Solid Wood Structure)

Step 2. Attach the fan to the pulley assembly and secure with clevis pin and "R" pin.



3. Assemble the Light Shade (H)

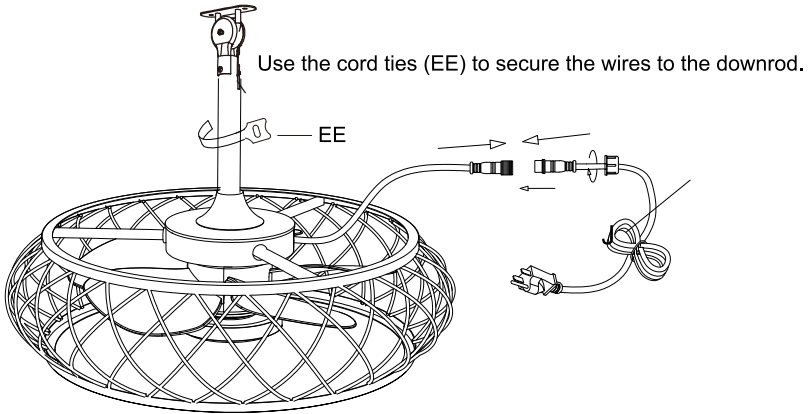
Attach the light shade and secure it.



Installation Option 2 (Adapt To Solid Wood Structure)

4. Connect the Power Cord (I)

Connect the power cord and tighten the nut to secure the connection.

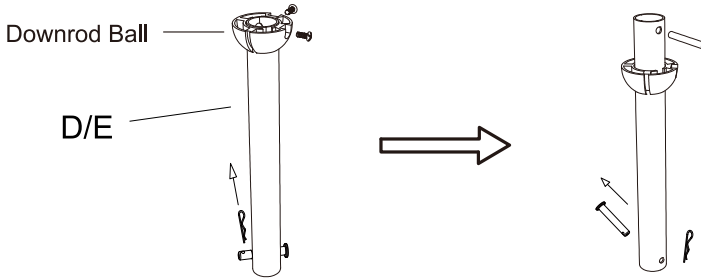


Installation Option 3 (Adapt To Ceiling Hook)

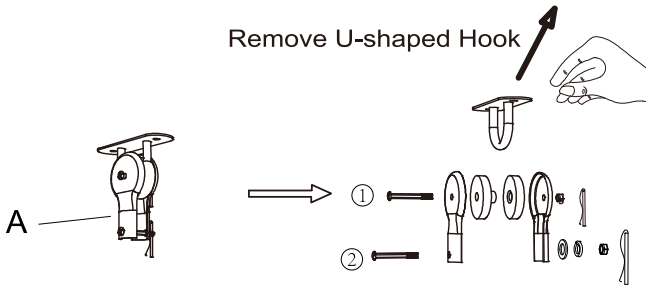
1. Assemble the Fan

Step 1. Remove the clevis pin and "R" pin from the downrod (D/E)

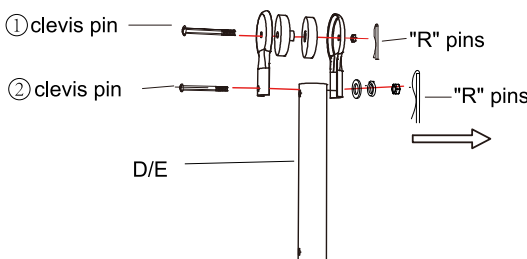
Step 2. Loosen the screws on the downrod ball and take off the ball.



Step 3. Remove the two pairs of clevis pins and the "R" pin from the pulley assembly (A), and take out the U-shaped hook.

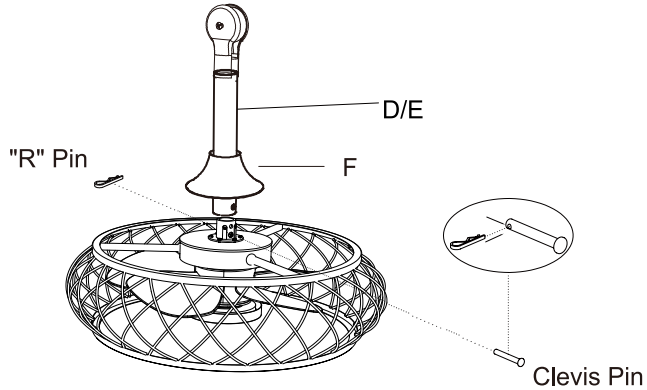


Step 4. Assemble the remaining parts of the pulley assembly(A) and the downrod (D/E) using the clevis pins and "R" pins.

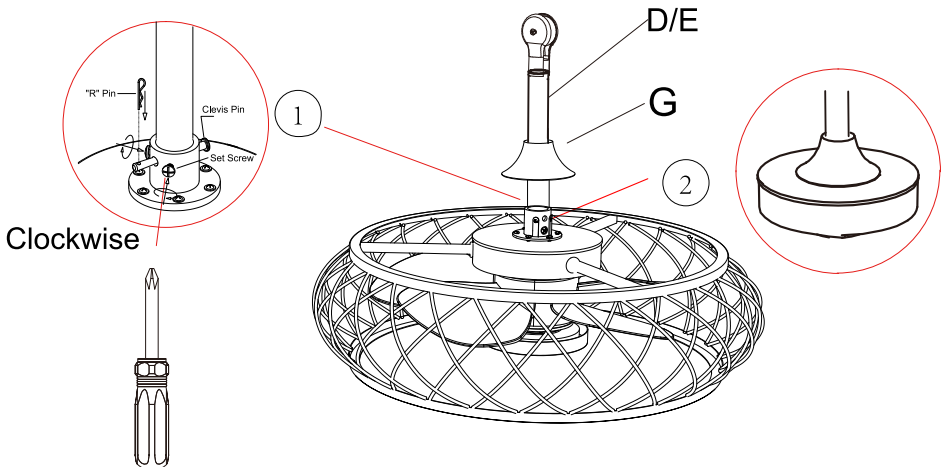


Installation Option 3 (Adapt To Ceiling Hook)

Step 5. Assemble the coupling cover(F) onto the downrod(D/E) , align the holes of the downrod (D/E) with those in the fan assembly, insert the clevis pin and "R" pin that were removed from the downrod.



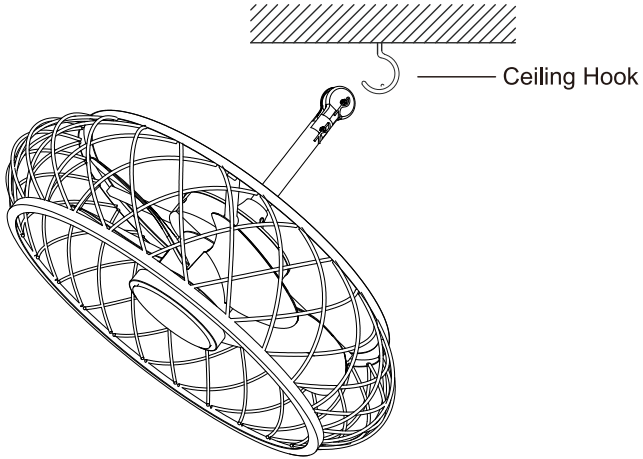
Step 6. Tighten the set screws on the downrod hub to secure the downrod (D/E) then ,fit the coupling cover (F) onto the fan assembly.



Installation Option 3 (Adapt To Ceiling Hook)

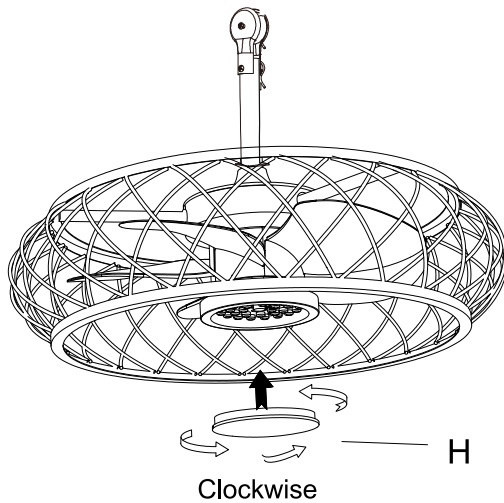
2. Hang the Fan

Hang the installed fan directly onto the hook.



3. Assemble the Light Shade (H)

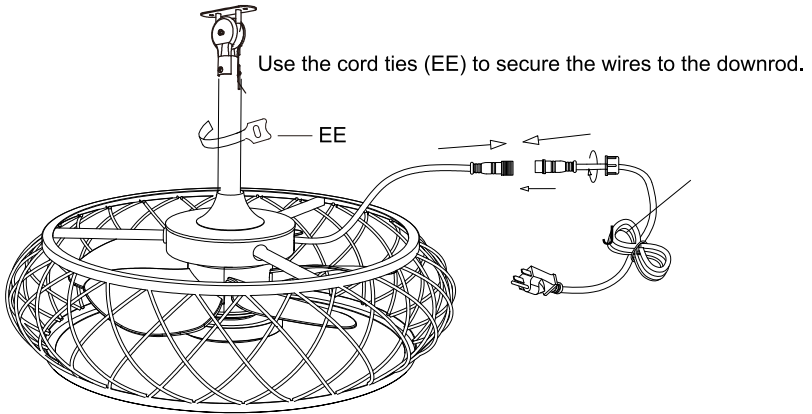
Attach the light shade and secure it.



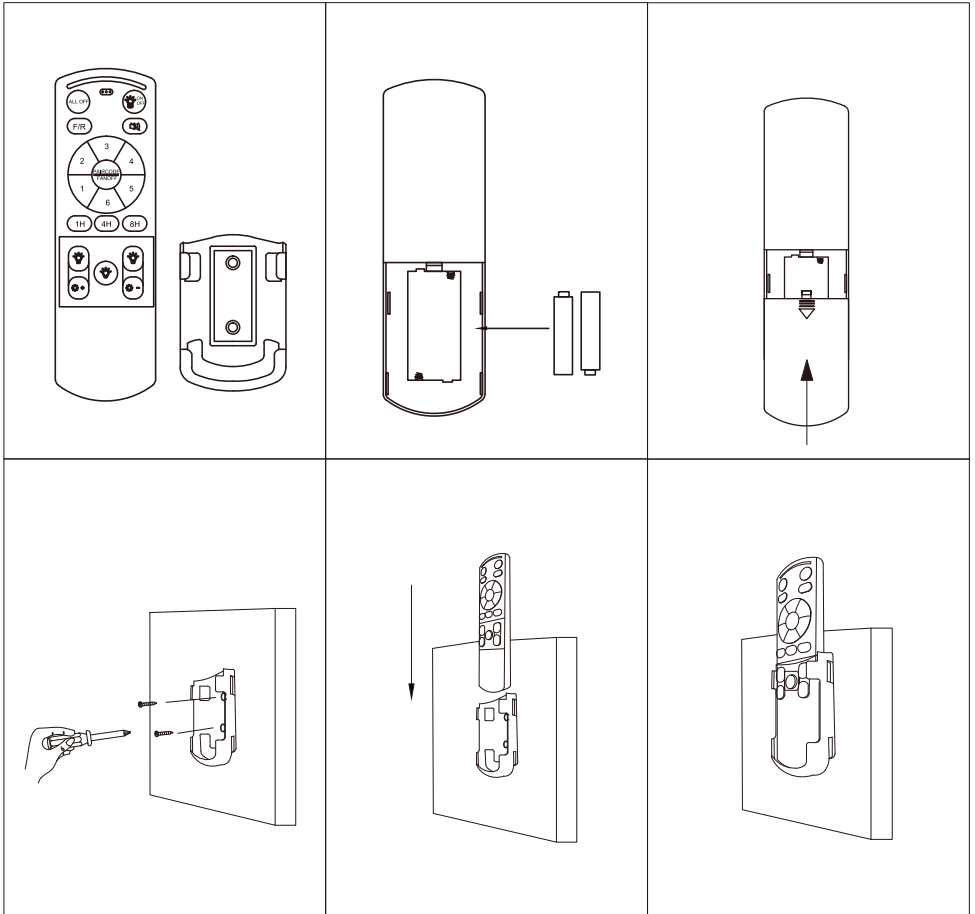
Installation Option 3 (Adapt To Ceiling Hook)

4. Connect the Power Cord (I)

Connect the power cord and tighten the nut to secure the connection.



Install the Remote Holder



Step 1: Insert 2 batteries before using: AAA 1.5V battery x 2pcs (not included).

Step 2: Mark and drill screw holes in the wall, then insert the remote holder anchors.

Step 3: Use remote holder screws to fix the remote holder onto the wall.

Remote Control Instructions

		Turn off the fan and lights.
		Turn on/off the beep sound.
		Alternate the fan's rotation between forward and reverse.
		Turn off the fan.
		1/2/3/4/5/6 for fan speeds.
		1H//4H/8H for timing the fan.
		Turn on/off the lights.
		Press to quickly switch light colors.
	Press to +/- the brightness of the light.	

NOTE:

Please insert 2 batteries before using. AAA 1.5V battery x 2pcs (not included).

REMOTE SIGNAL PAIRING:

If the remote control loses the signal of the fan, turn off the power from wall switch, then turn it on, press immediately for around 3 seconds, after the fixture beeps or flashes, then it's done.

Trouble Shooting

1. Fan doesn't work

- Make sure the fixture is connected to an ON/OFF wall switch, not a dimmer switch.
- Check the remote control battery (not included in this package).
- Check the circuit breaker to ensure the power is on.
- Turn off power from the circuit breaker, then loosen the canopy and check all the con-nections according to the wiring diagram.

2. Lights Do Not Light Up / Flicker / Noisy Operation

- Make sure the fixture is connected to an ON/OFF wall switch, not a dimmer switch.
- Check your power and switch to make sure it's powered on.
- Replace the bulb with a new one.

3. Noisy Operation

- Re-tighten all screws on the bracket, and fan blades (do not over tighten).
- Check to see if any of the blades are cracked. If so, replace all of the blades.

4. Remote does not work

- Make sure the battery is installed correctly.
- Pair the remote control again. (See "Remote Control Instructions")
- Install 2 new batteries.

Clean And Care

To clean, wipe the fixture with soft cloth. Spray from chemical cleaners can discolor the finish of the fixture. Do not use scouring pads, powders, steel wool or abrasive paper to clean this fixture.

Ordering Parts

Keep this manual for future reference, and in case replacement parts are needed. Available parts can be ordered from place of purchase. Use exact wording from diagrams when ordering parts.