

CONVENIENCE CONCEPTS



Assembly Instruction

We have designed our furniture with you, the customer in mind. Our clear, easy to follow step by step instructions will guide you through the project from start to finish. Feel confident that this will be a fun and rewarding project. The final product will be a quality piece of furniture that will go together smoothly and give years of enjoyment.

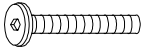
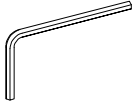

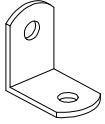



Please do not return to the store
Broken or missing Hardware?
Need help with Assembly?

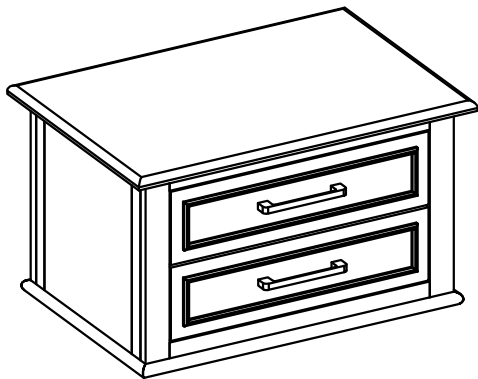
Our Illinois based customer service team is ready to help with any problems or questions you may have. Please give us a call (Toll Free)

Please verify all parts are present before beginning assembly

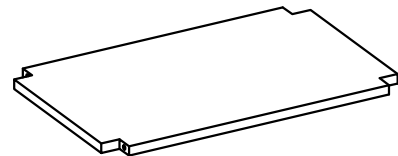
Hardware List

<p>A</p> 	<p>B</p> 	<p>C</p> 	<p>D</p> 
<p>Allen Bolt (12 pcs)</p>	<p>Allen Wrench (1 pc)</p>	<p>Screw (8 pcs)</p>	<p>Angle Bracket (4 pcs)</p>
<p>E</p> 			
<p>Wooden Dowel (4 pcs)</p>			

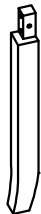
Parts List



(1)- Top (1 pc)



(2)- Bottom Shelf (1 pc)



(3)- Left Leg (2pcs)

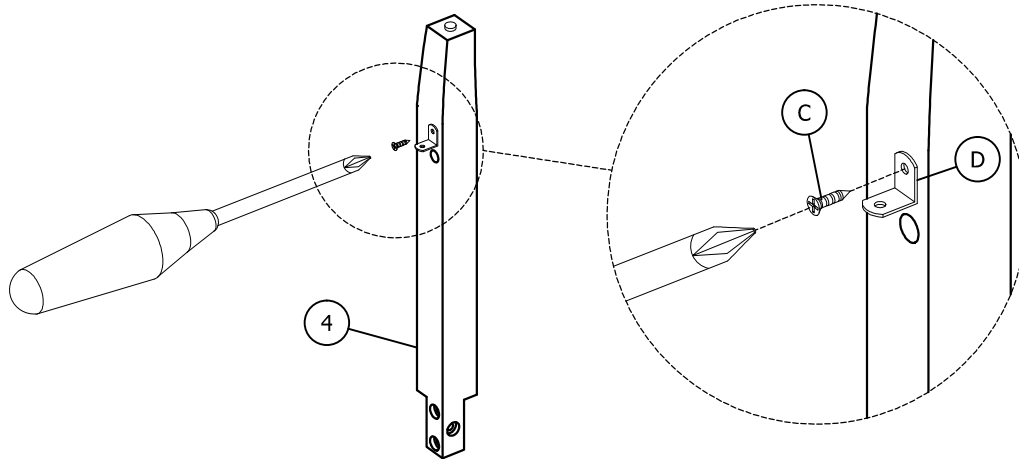


(4)- Right Leg (2pcs)

Assemble unit on carpet or other soft surface

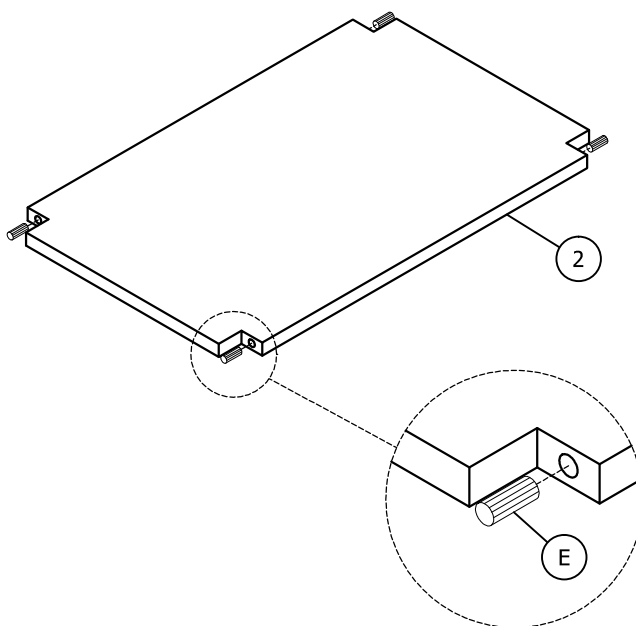
Step 1

1. Attach Angle Bracket (D) to Legs (3) and (4) using Screws (C) as shown.
2. Do this for all 4 Legs.



Step 2

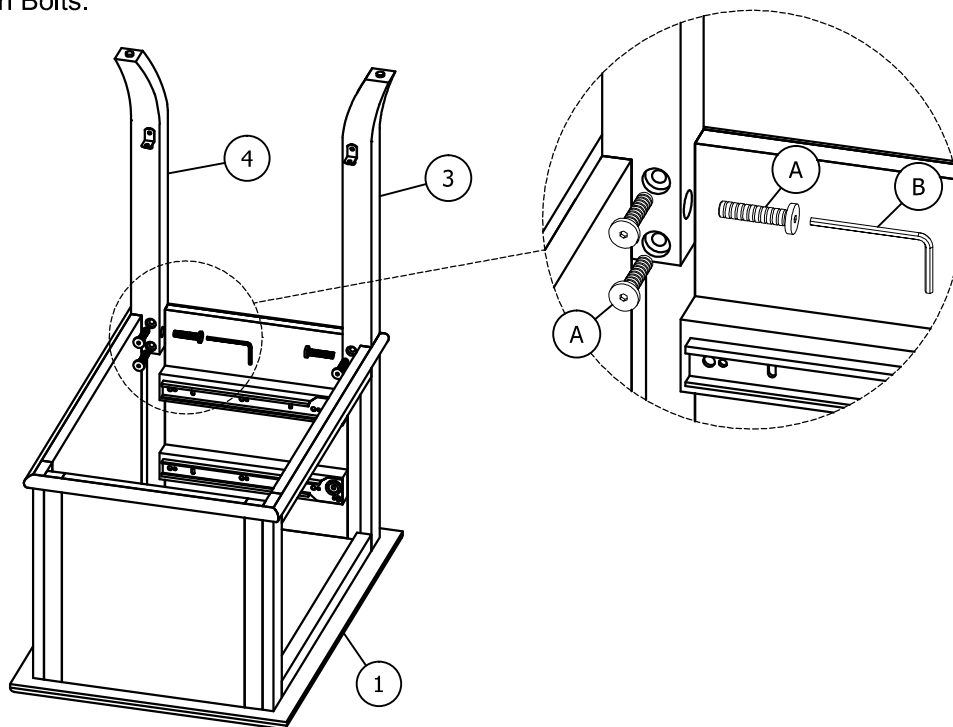
1. Insert Wooden Dowel (E) into Bottom shelf (2).



Assemble unit on carpet or other soft surface

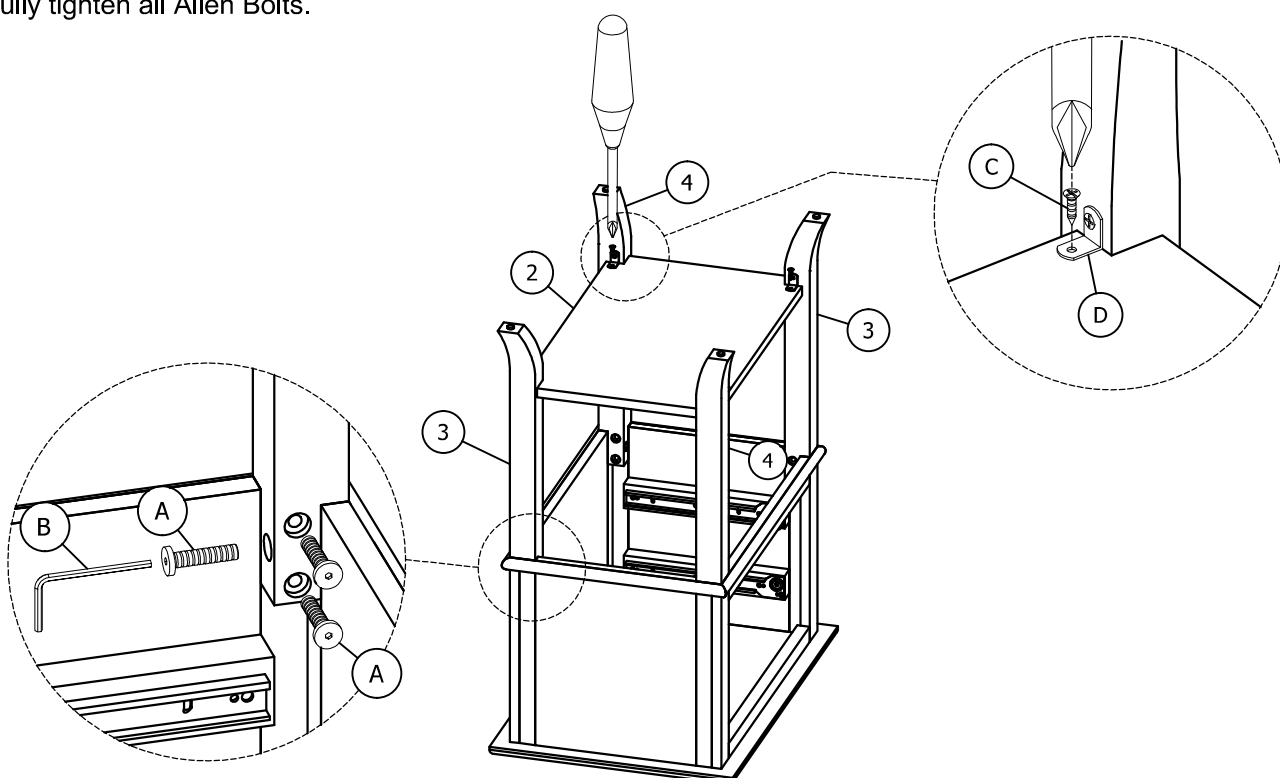
Step 3

1. Remove drawer from Top (1) and turn top upside down.
2. Connect Right Leg (4), to Top (1) using Allen Bolts (A) and Allen Wrench (B).
3. Do not fully tighten Allen Bolts (A).
4. Connect Left Leg (3) using same steps as above.
5. Do not fully tighten Allen Bolts.



Step 4

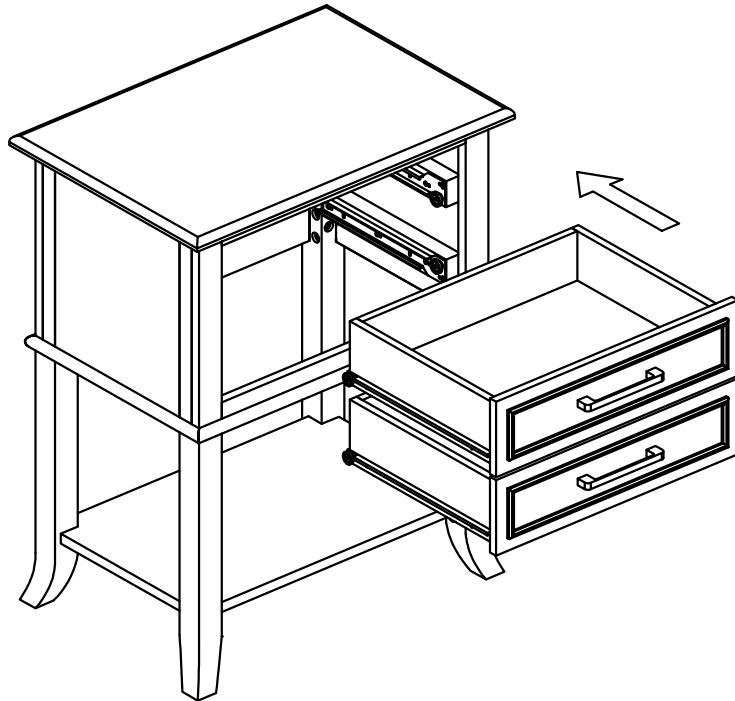
1. Attach Bottom Shelf (2) to attached Legs using Angle Brackets (D) and Screws (C).
2. Fasten the remaining Left Leg (3) and Right Leg (4) with the Allen Bolts (A) and Allen Wrench (B).
3. Fully tighten all Allen Bolts.



Assemble unit on carpet or other soft surface

Step 5

1. Insert drawer into unit.



Step 6

1. Enjoy !

