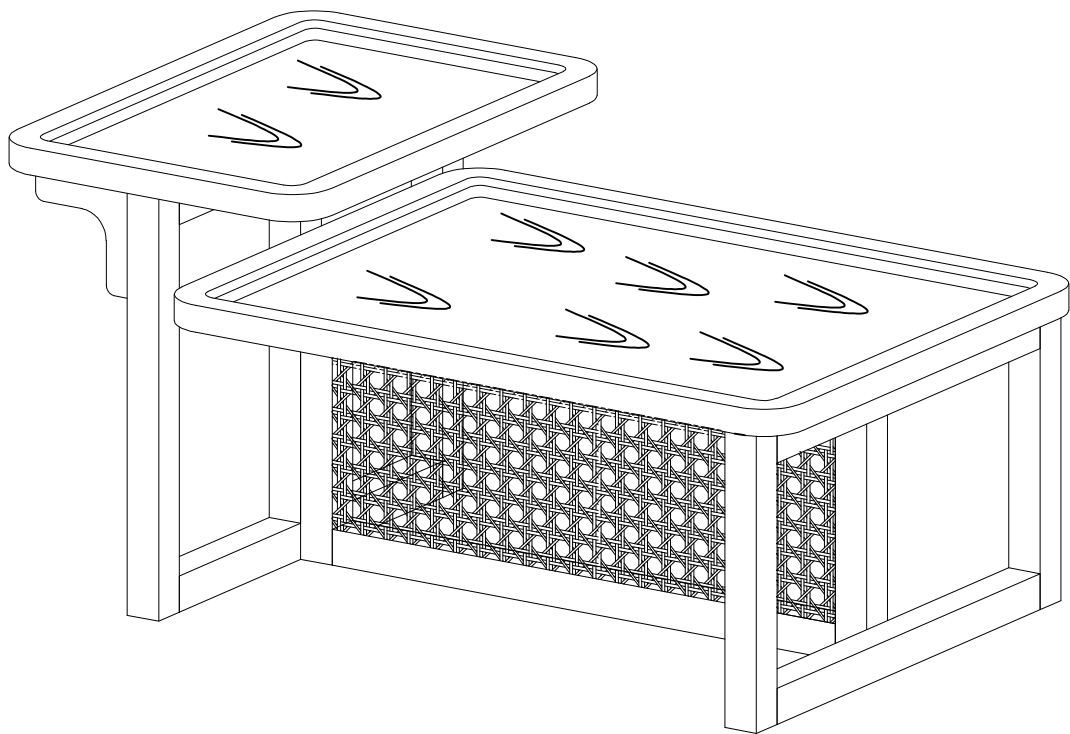
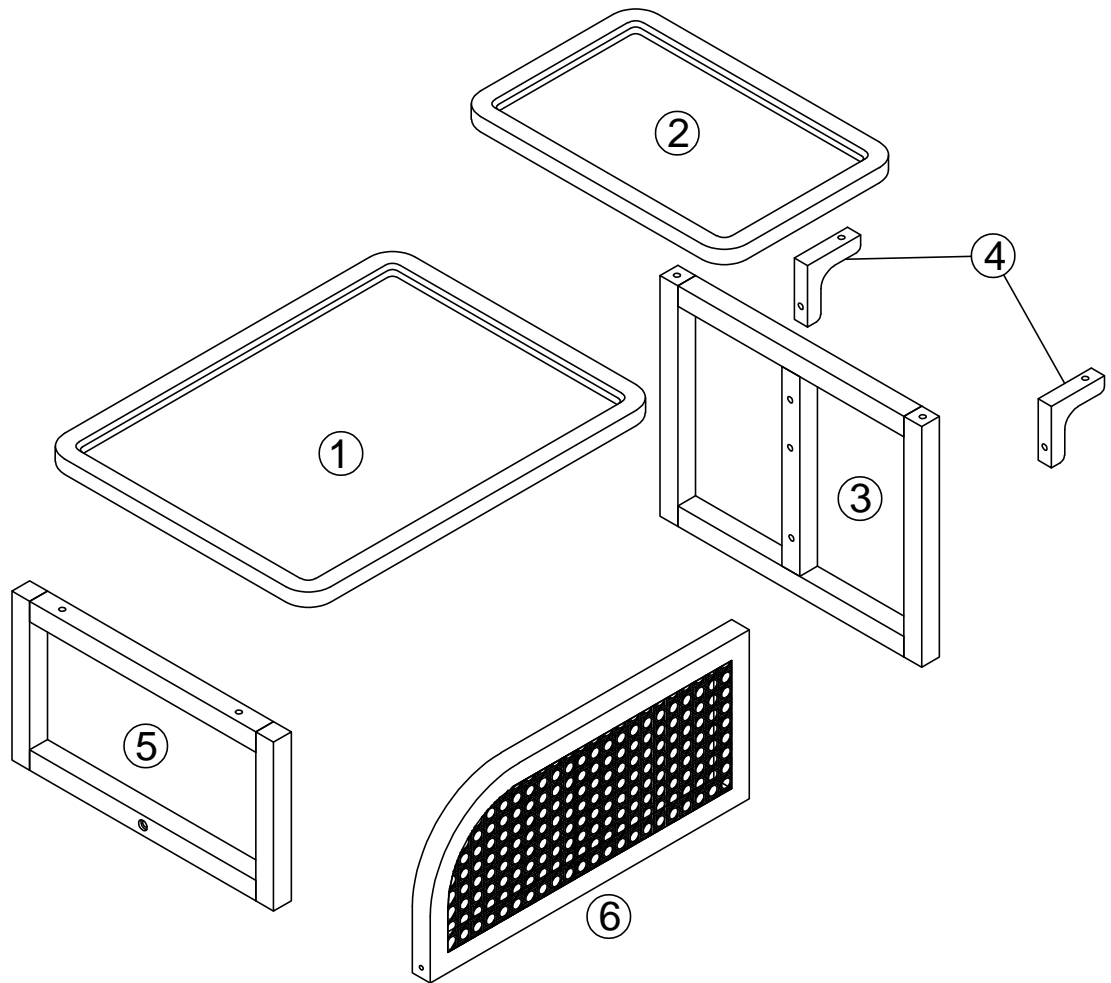


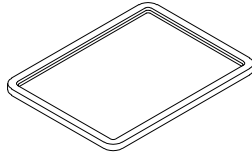
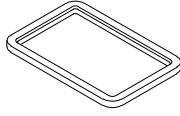
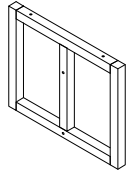
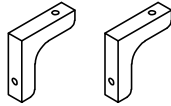
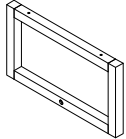
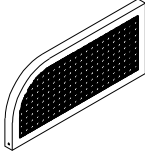
ITEM NO: N735P176285D










Detail View - N735P176285D



# Part List

<p>1</p>  <p>Big Top Frame - 1pc</p>	<p>2</p>  <p>Small Top Frame - 1pc</p>
<p>3</p>  <p>Legs - 1pc</p>	<p>4</p>  <p>Decorative Wood -2pcs</p>
<p>5</p>  <p>Legs - 1pc</p>	<p>6</p>  <p>Middle Frame - 1pc</p>

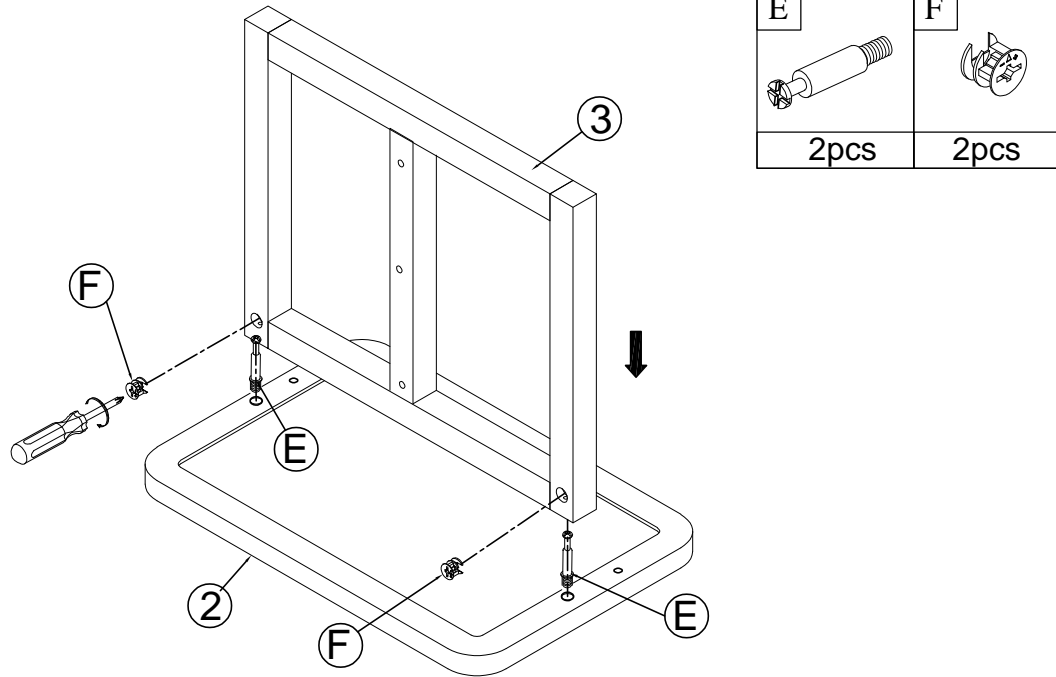
# Hardware List

<p>A</p>  <p>ø1/4"x50mm</p> <p>Hex-Head bolts (8pcs)</p>	<p>B</p>  <p>ø1/4"x75mm</p> <p>Hex-Head bolts (2pcs)</p>	<p>C</p>  <p>ø1/4"x14x1mm</p> <p>Washer (10pcs)</p>
<p>D</p>  <p>ø1/4"x11x1mm</p> <p>Spring Washer (10pcs)</p>	<p>E</p>  <p>ø6x35mm</p> <p>Three in one bolts (2pcs)</p>	<p>F</p>  <p>ø14.5x12mm</p> <p>Three in one lock (2pcs)</p>
<p>G</p>  <p>4mm</p> <p>Allen key(1pc)</p>		

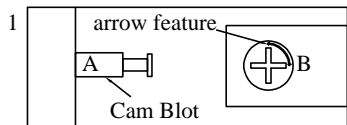


Assembly Tools Required (Not Included)

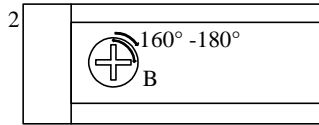
# STEP: 1



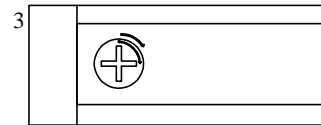
E	F
2pcs	2pcs



Make sure arrow feature on Cam (B) points to Cam bolt (A)



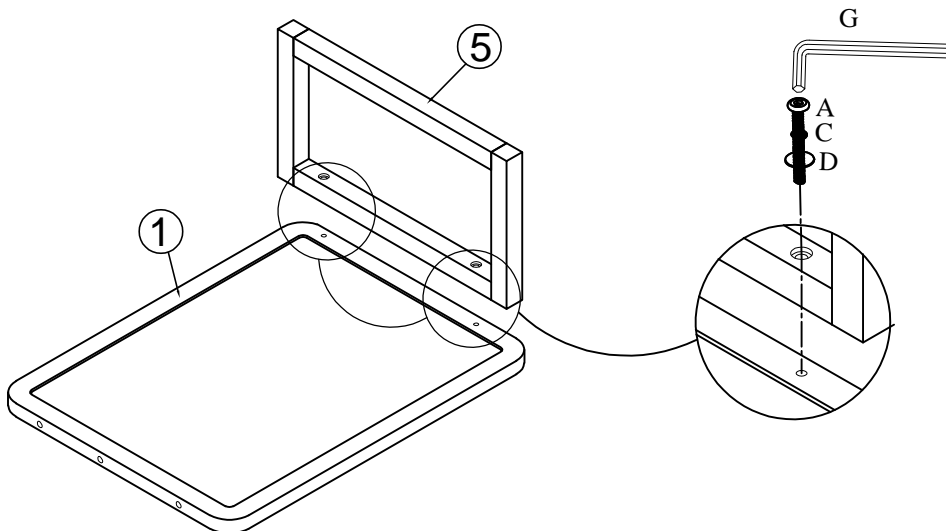
Rotate cam (B) clockwise 160° -180° to lock parts together.







Parts should be tight against each other and connection should be rigid

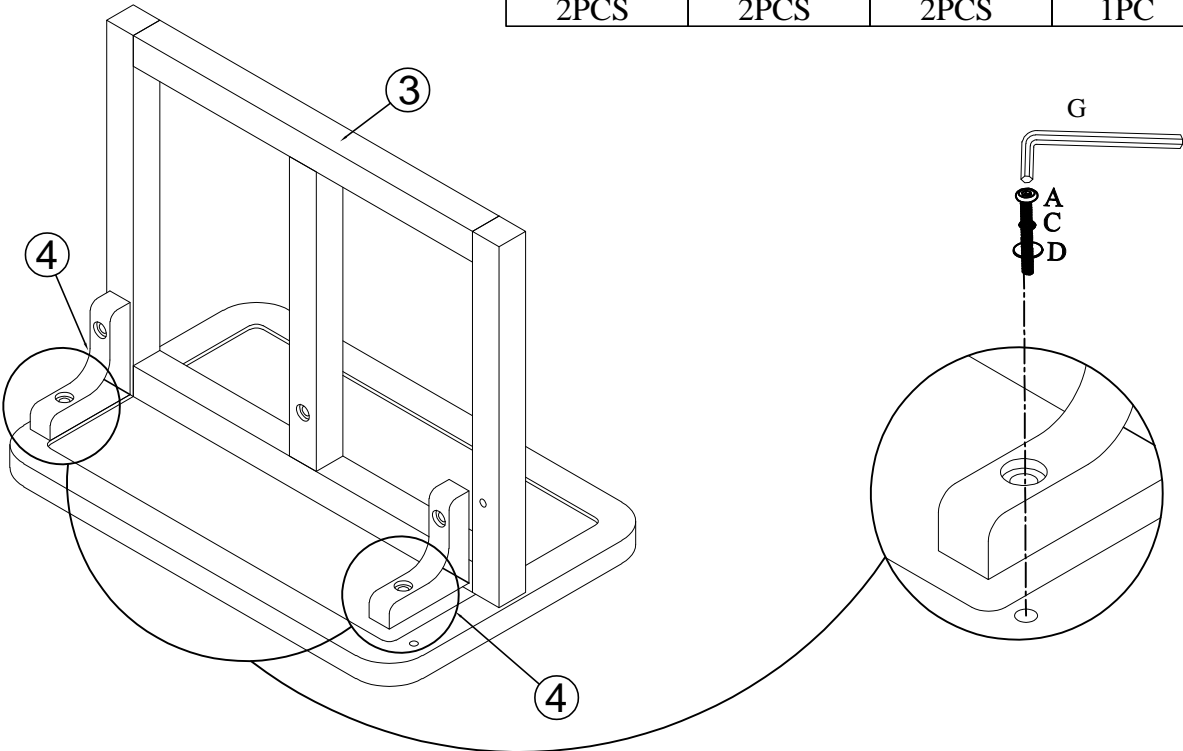
# STEP: 2

A	C	D	G
2PCS	2PCS	2PCS	1PC







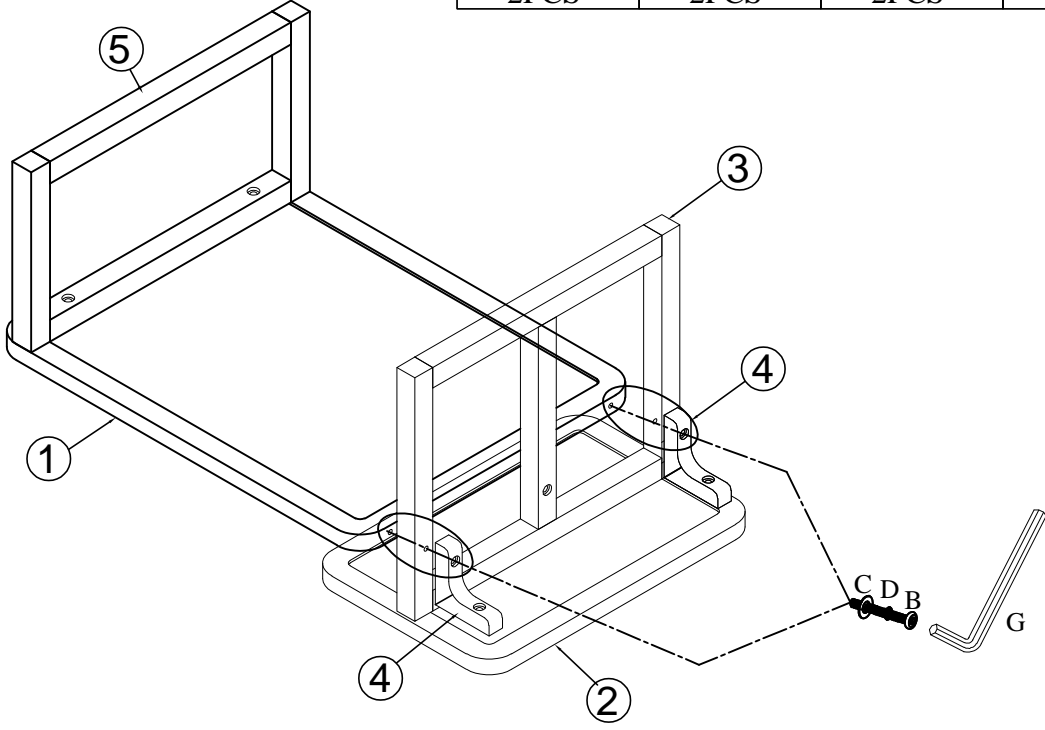
**STEP: 3**

<p><b>A</b></p> 	<p><b>C</b></p> 	<p><b>D</b></p> 	<p><b>G</b></p> 
<p>2PCS</p>	<p>2PCS</p>	<p>2PCS</p>	<p>1PC</p>







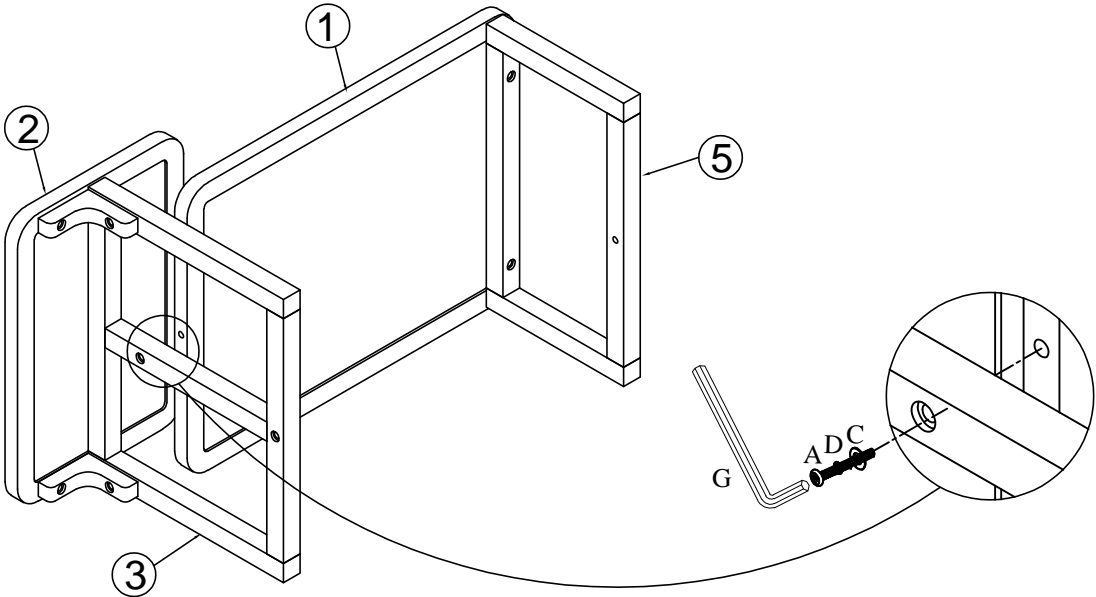
**STEP: 4**

<p><b>B</b></p> 	<p><b>C</b></p> 	<p><b>D</b></p> 	<p><b>G</b></p> 
<p>2PCS</p>	<p>2PCS</p>	<p>2PCS</p>	<p>1PC</p>

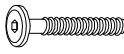





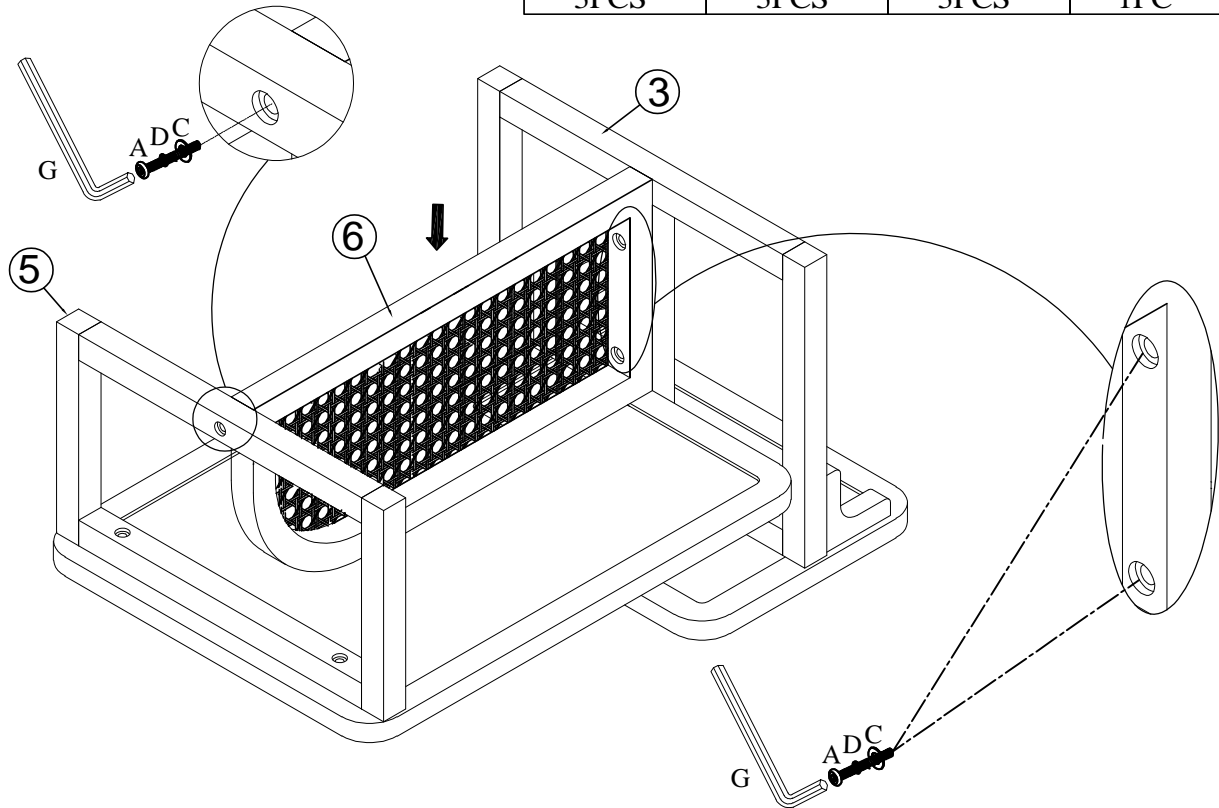
**STEP: 5**

<p>A</p> 	<p>C</p> 	<p>D</p> 	<p>G</p> 
<p>1PC</p>	<p>1PC</p>	<p>1PC</p>	<p>1PC</p>



**STEP: 6**

<p>A</p> 	<p>C</p> 	<p>D</p> 	<p>G</p> 
<p>3PCS</p>	<p>3PCS</p>	<p>3PCS</p>	<p>1PC</p>



STEP: 8

