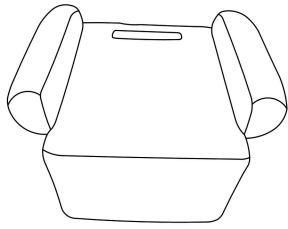
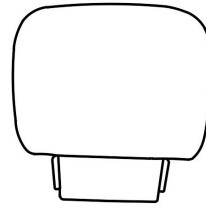


ASSEMBLY INSTRUCTION

<<Before assembling,read all the instruction>>

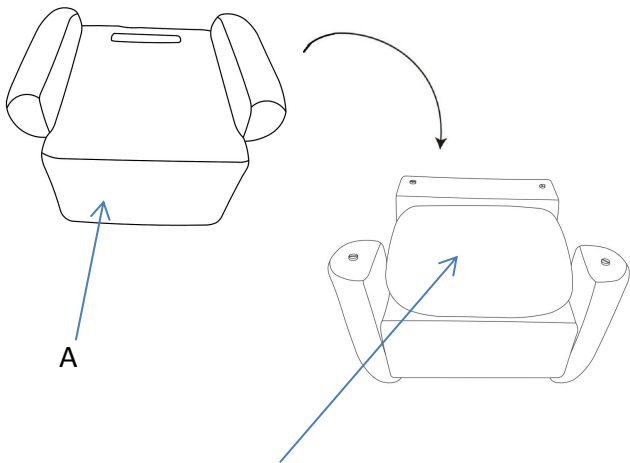


1PCS A



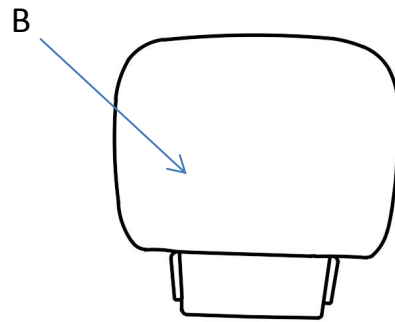
1PCS B

Step 1

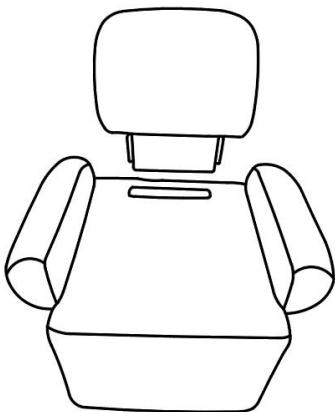


Backrest under the Seat Cushion

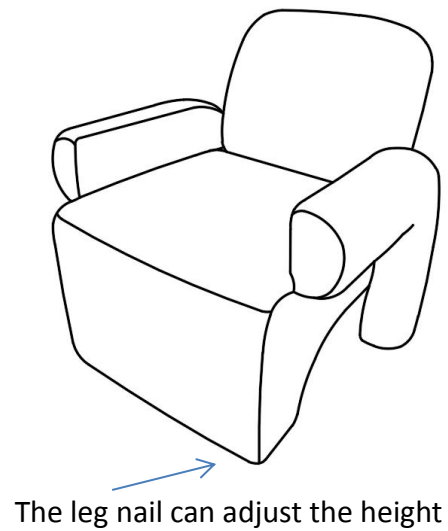
Step 2



Step 3



Step 4



The leg nail can adjust the height