


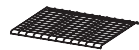







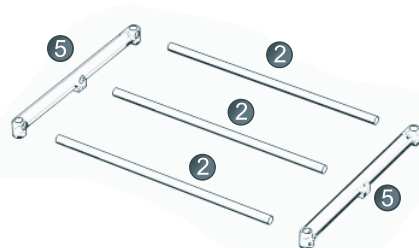
4 Tier Mini Greenhouse

NO.		QTY
①		16
②		12
③		2
④		4
⑤		10
⑥		4
⑦		1
⑧		1
⑨		8

- Great solution for backyards and homes
- Gives seeds, seedlings, and young plants a comfortable environment to flourish
- Strong clear PVC cover and roll-up zippered door for easy access
- Strong and sturdy tubular steel frame
- Detachable casters for easy movement
- Easy assembly no tools needed
- 27.1" Long x 19.3" Wide x 63.3" High

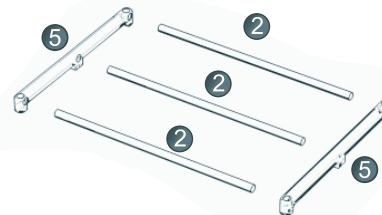
For Customer Support and Feedback
Email: support@Home-Complete.com

1



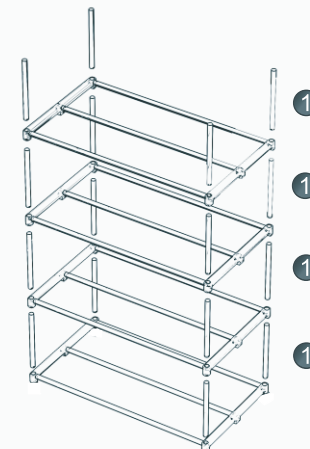
Place greenhouse leg-casters on the floor (Part 5) while connecting holes are facing up. Place 3 rods (Part 2) inside holes. Add the other greenhouse leg-casters (Part 5) on the other side of the rods, creating the base for the greenhouse. Put the base on the casters on the floor and push gently in order to balance both sides perfectly (all 4 casters should be balanced touching the floor).

2



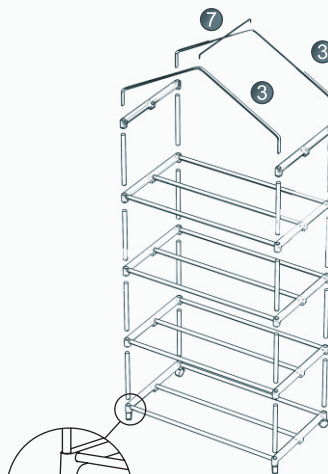
Like step 1. We will build each shelf individually and balance it. Place greenhouse connector on the floor (Part 5) while connecting holes are facing up. Place 3 rods Part 2) inside holes. Add the other greenhouse connector (Part 5) on the other side of the rods, creating the shelf base for the greenhouse. Put the base on the floor and push gently in order to balance both sides perfectly (so shelf will not be crooked). Repeat this step for all tiers.

3



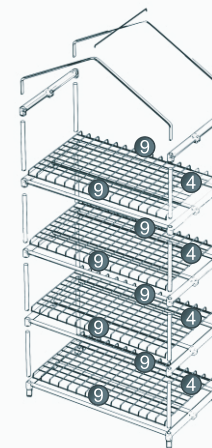
Place the greenhouse base on floor. On top of it add 4 short rods (Part 1) in order to build the greenhouse next shelf level. Add the shelf you have assembled in the previous steps.

4



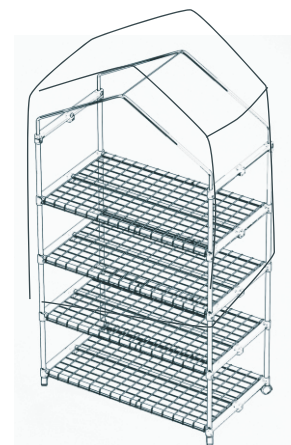
Add greenhouse "roof" construction rods (Part 3) on top of connector (Part 5). Connect both "roof" rods (Part 3) with "roof" connector (Part 7).

5



Place greenhouse wire shelves (Part 4) on top of each 3 rods (Part 2). Tighten wire shelves (Part 4) to greenhouse rods (Part 2) with included zip ties (Part 9) from both sides. Repeat this step for all 4 shelf levels.

6



Place PVC cover (Part 8) on top of greenhouse. Tie bottom PVC cover (Part 8) straps to greenhouse base in order to anchor it to metal construction.