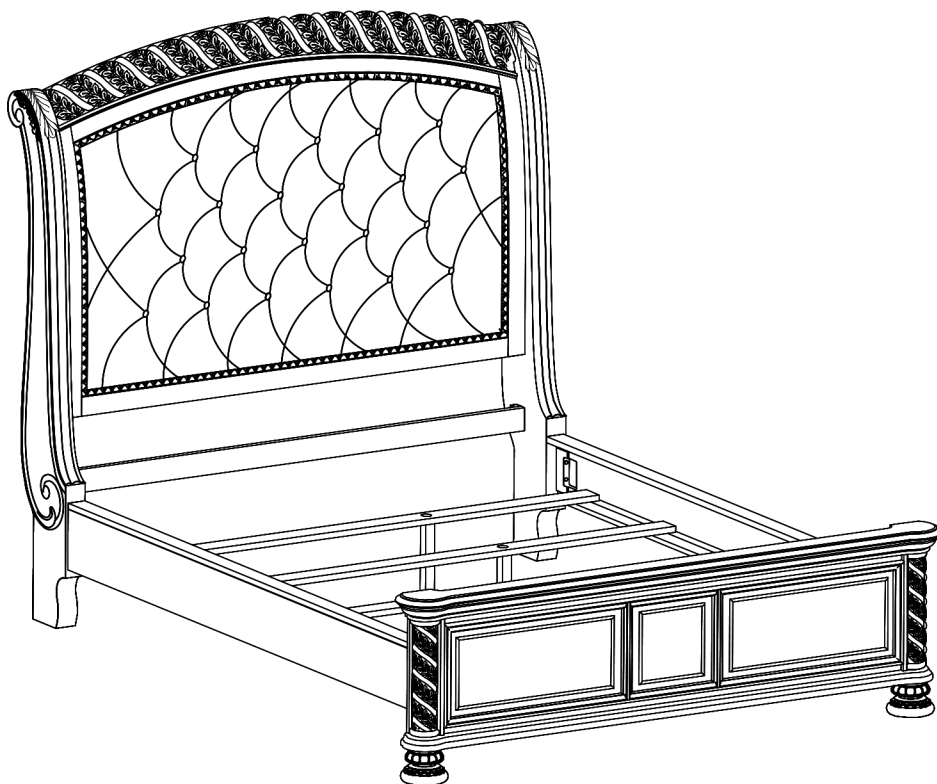


# ASSEMBLY INSTRUCTIONS



## TOOLS REQUIRED



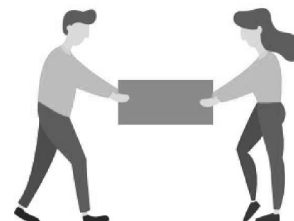
**Allen Wrench**

(Included)



**Phillips  
Screwdriver**

(Not Included)



**2 - People  
Recommended**

## ASSEMBLY RATING



**EASY** —————> **DIFFICULT**

The Assembly Rating is a 5-point system showing the level of effort needed to assemble a specific product.



## **CHECK BEFORE STARTING**

### **Are you missing anything?**

Double-check all parts, hardware and accessories listed are all accounted for.

### **Should we send any replacements?**

Are there any irregularities or flaws in the parts? We can send replacements!

### **Check out our Quick Tips!**

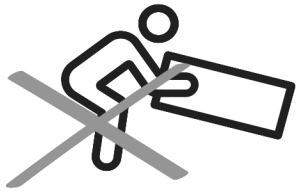
We recommend reviewing the pre-assembly handouts. Even experts need a refresher now and then!

### **Prep Time!**

Please review the assembly instructions and all diagrams prior to assembling.

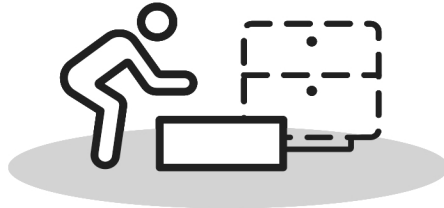
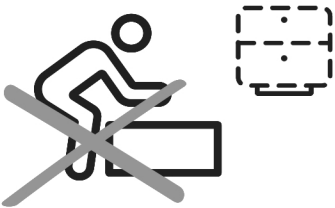
# PRE ASSEMBLY INTRODUCTION

We understand building ready-to-assemble furniture can be a challenging experience for some. To help avoid confusion, we have provided some helpful tips that may speed up the process.



## Teamwork

ALWAYS have at least two people to help with transporting and assembling the product to avoid potential injury and/or damage.



## Suitable Location

Assembling near the area of the intended location is highly recommended.



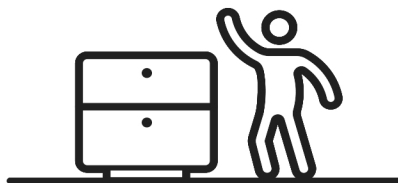
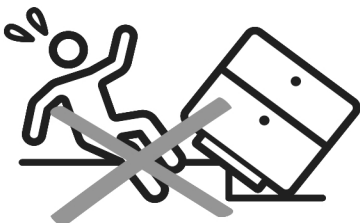
## Sufficient Space

Make sure you have enough space to move around during the assembly.



## Avoid Scratches

Use cardboard, blankets or a carpeted area while assembling furniture to prevent to prevent scratches and damages.



## Flat Surface

Make sure the furniture rests on a flat and level surface with each leg evenly touching the floor.

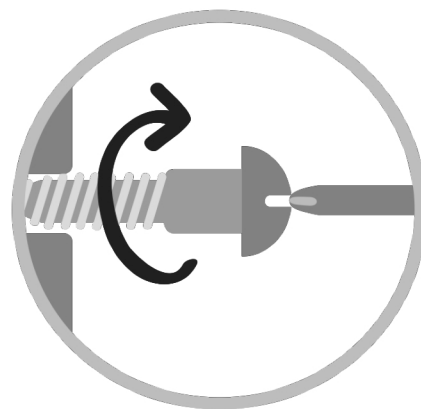
# ASSEMBLY AND CARE ADVICE



**FAILURE TO FOLLOW THE GUIDELINES BELOW MAY  
RESULT IN INJURY AND/OR PROPERTY DAMAGE.**



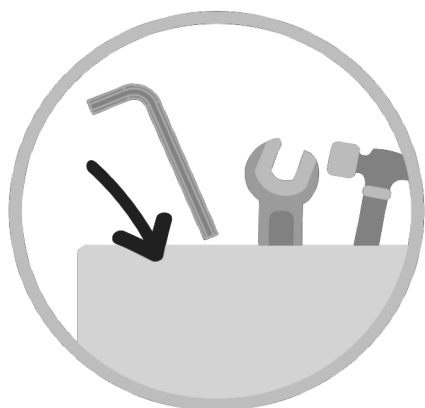
Position each part correctly  
and insert screws or bolts into  
their respective holes.



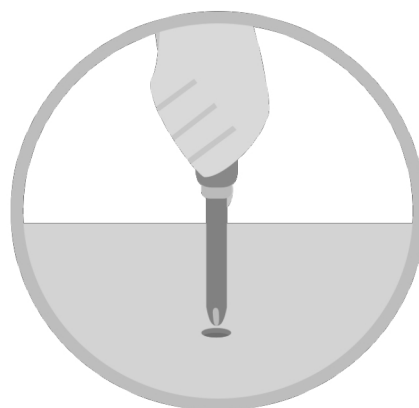
Turn clockwise to tighten and  
only tighten when step is  
completed or when instructed  
to do so.



Use the appropriate hand tools  
or power tools for assembly.  
Select steps, such as tightening  
screws and/or bolts, may require  
hand tools to avoid causing  
damage during assembly.



Save the instructions and store  
any supplied tools for later  
maintenance.



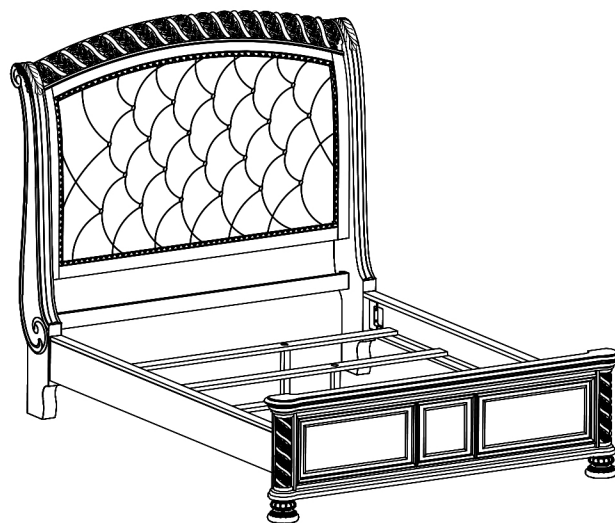
After two weeks, check and  
tighten any loose hardware and  
repeat again every six months  
thereafter.

**IT IS THE USER'S RESPONSIBILITY TO MAINTAIN THE FURNITURE. THE HARDWARE MAY LOOSEN OVER TIME AND MAY CAUSE THE FURNITURE TO BE WOBBLY AND UNABLE TO SUPPORT ITS INTENDED WEIGHT CAPACITY. THIS MAY LEAD TO COLLAPSE AND MAY CAUSE SERIOUS INJURY.**

# BED

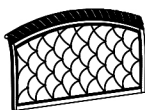


- Please keep instructions for future reference.
- Check the quantity and irregularity of parts and hardware before you start.



## PARTS

#1 1pc



Headboard

#2 2pcs



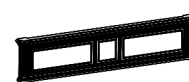
HB Leg (R/ L)

#3 1pc



HB Support Rail

#4 1pc



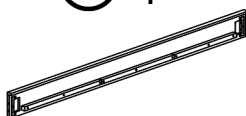
Footboard

#5 2pcs



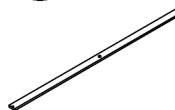
FB Leg

#6 2pcs



Side Rail

#7 3pcs



Slat

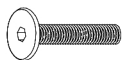
#8 3pcs



Support Leg 230\*30\*30

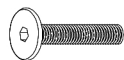
## HARDWARE

#A 6pcs



Bolt  
Ø5/16" x 2-1/4"

#B 4pcs



Bolt  
Ø5/16" x 1-3/4"

#C 10pcs



Lock washer  
Ø5/16"

#D 10pcs



Flat washer  
Ø5/16"

#E 1pc



Allen wrench  
5mm

#F 2pcs



Threaded Stud  
Ø5/16"x2-3/4"

#G 8pcs



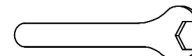
Threaded Stud  
Ø5/16"x3-1/2"

#H 8pcs



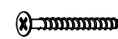
Hex Nut  
Ø5/16"

#K 1pc



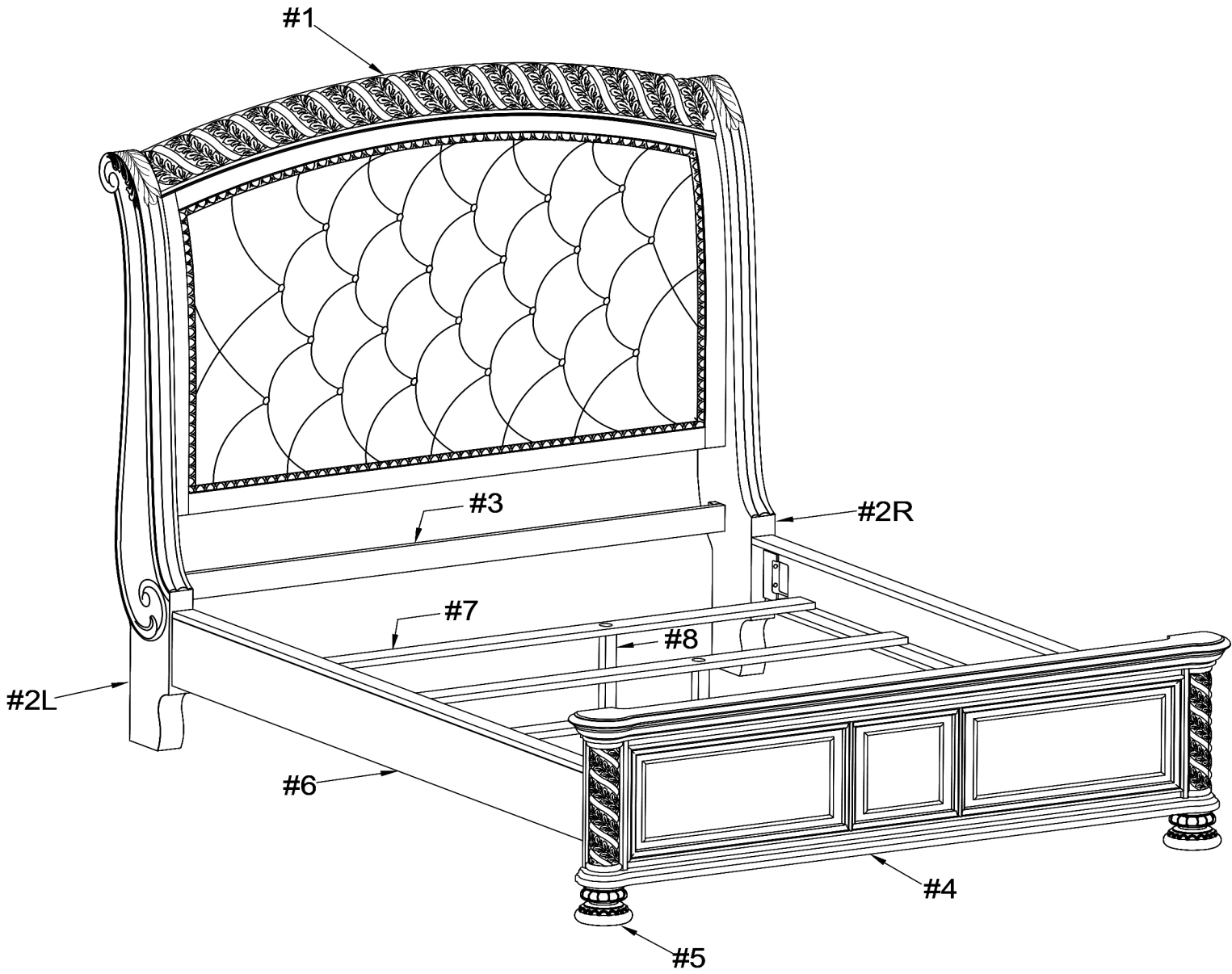
Wrench  
Ø12mm

#L 6pcs

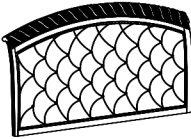

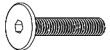


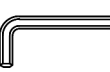


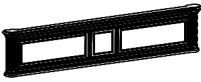


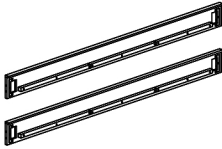


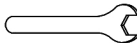

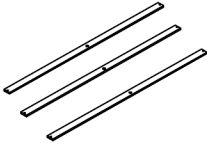
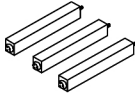


Screw  
#8 x 30mm

# Exploded View



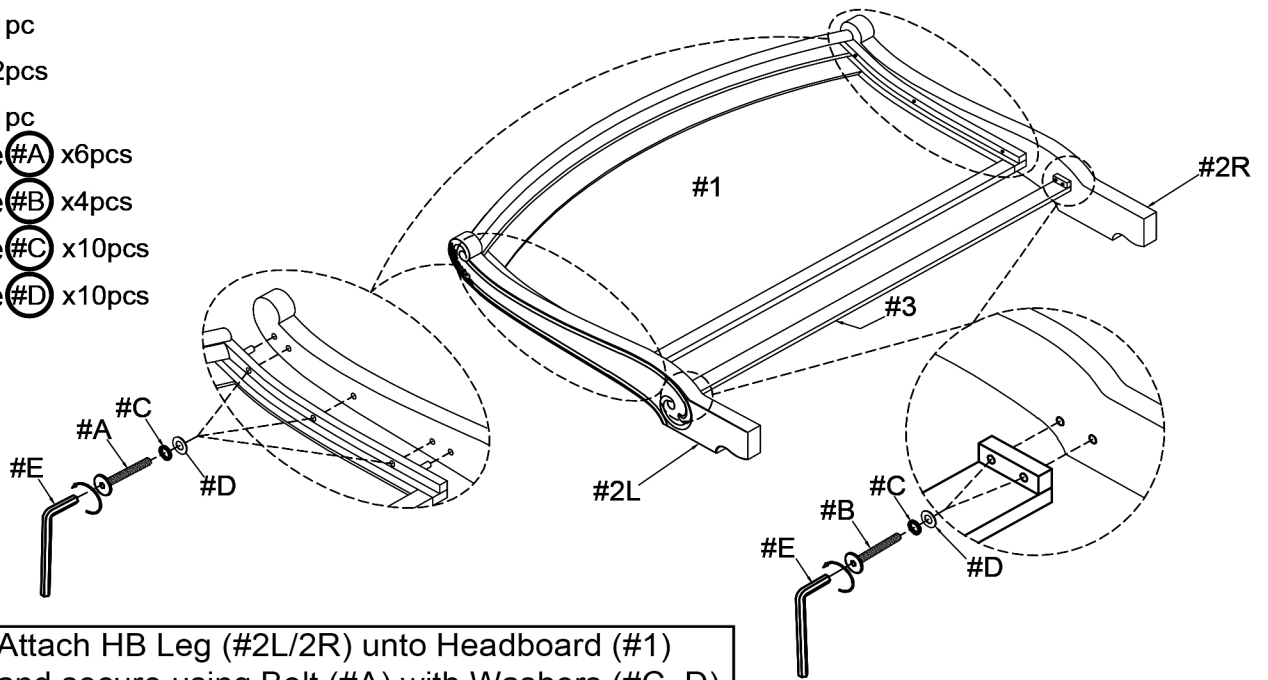
# packed in 3 cases

Carton	Disignation	Part	Part	Hardware
	Headboard	#1		 #A 6pcs  #B 4pcs  #C 10pcs  #D 10pcs  #E 1pc
	H/B Leg (R/ L) (2pcs)	#2		
	H/B Support Rail	#3		
	Footboard	#4		 #F 2pcs
	F/B Leg (2pcs)	#5		
	Side Rail (2pcs)	#6		 #G 8pcs  #H 8pcs  #K 1pc  #L 6pcs
	Slat (3pcs)	#7		
	Support Leg (3pcs)	#8		

# ASSEMBLY INSTRUCTIONS

## 1

- Part #1 x1pc
- Part #2 x2pcs
- Part #3 x1pc
- Hardware #A x6pcs
- Hardware #B x4pcs
- Hardware #C x10pcs
- Hardware #D x10pcs

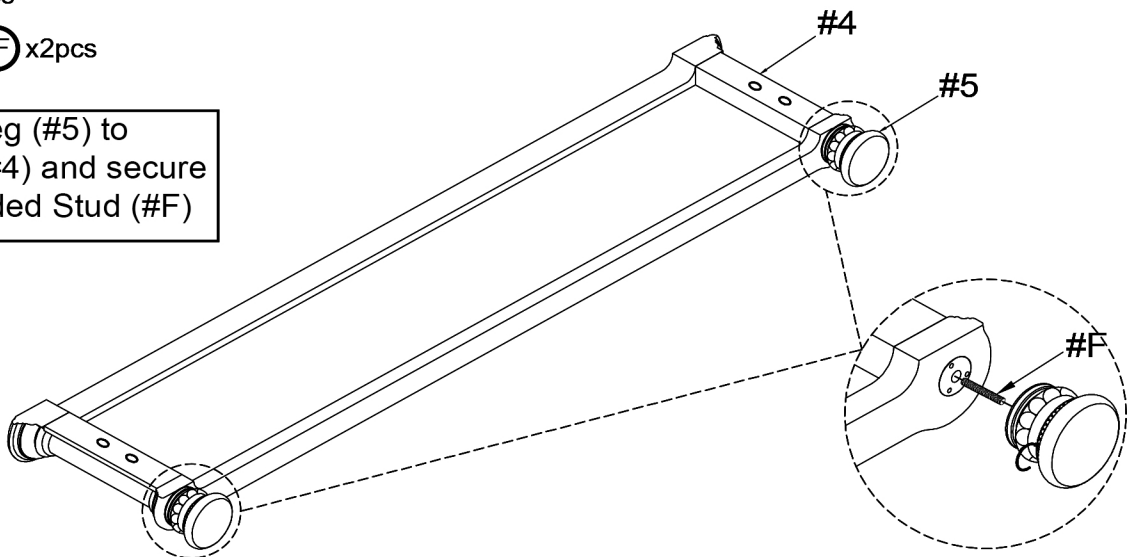


Attach HB Leg (#2L/2R) unto Headboard (#1) and secure using Bolt (#A) with Washers (#C, D). Next, attach HB Support Rail (#3) and secure using Bolt (#B) with Washers (#C, D)

## 2

- Part #4 x1pc
- Part #5 x2pcs
- Hardware #F x2pcs

Attach FB Leg (#5) to Footboard (#4) and secure using Threaded Stud (#F)



# ASSEMBLY INSTRUCTIONS

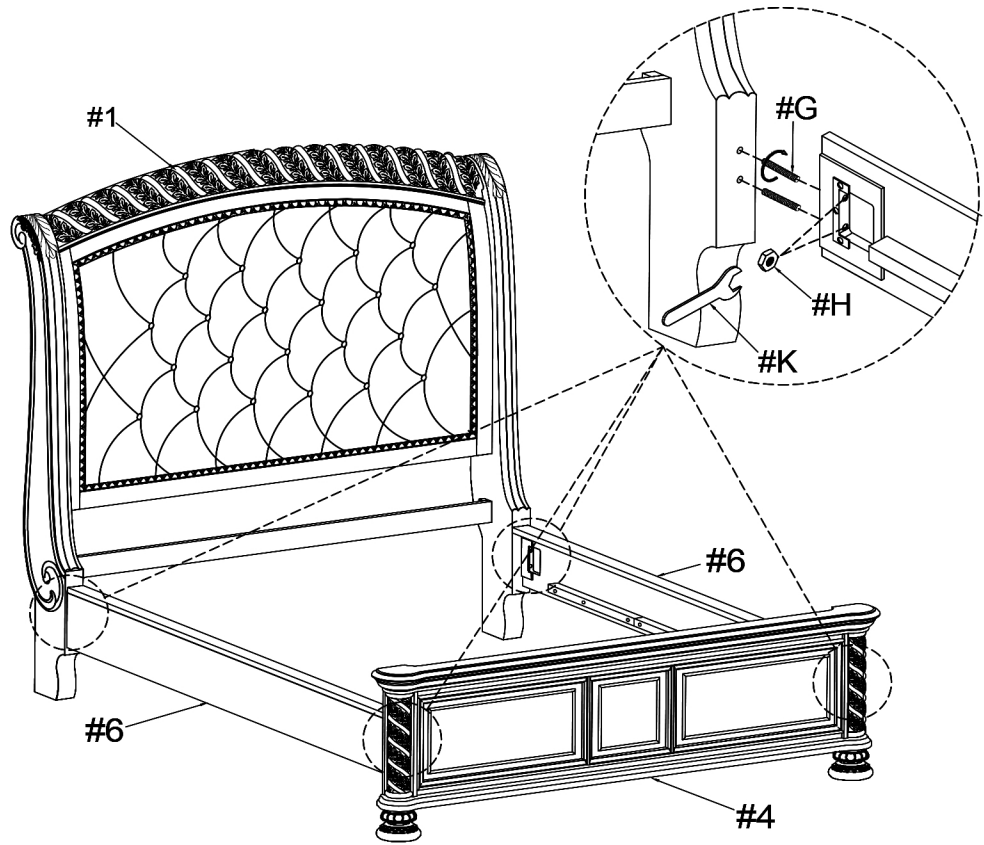
## 3

Part #6 x2pcs

Hardware #G x8pcs

Hardware #H x8pcs

Align and attach Side Rail (#6) using Threaded Stud (#G) and Hex Nut (#H)

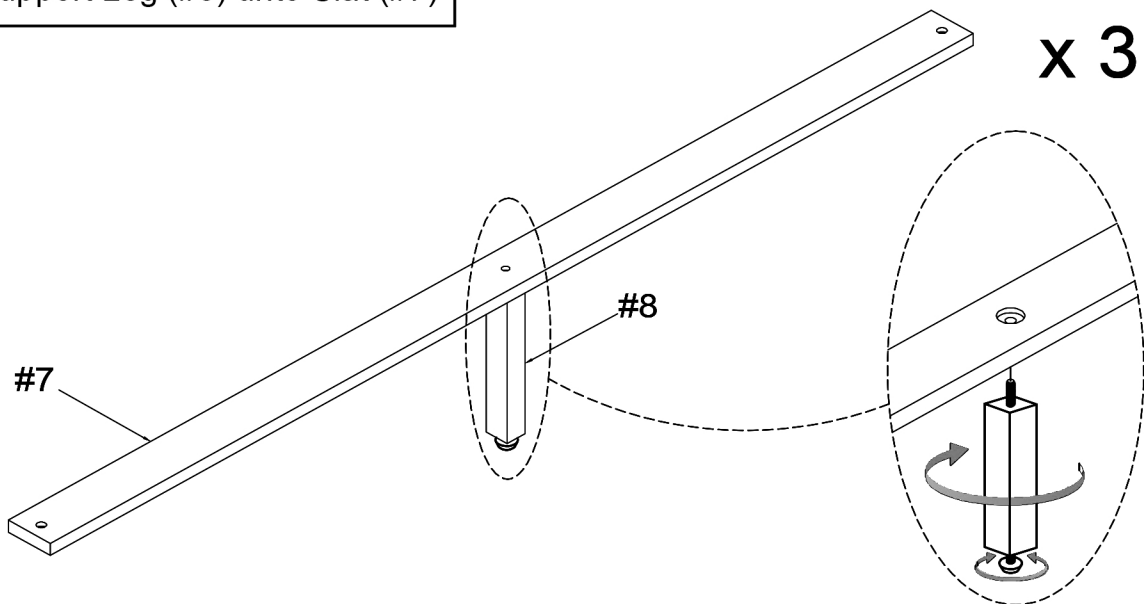


## 4

Part #7 x1pc

Part #8 x1pc

Insert Support Leg (#8) unto Slat (#7)

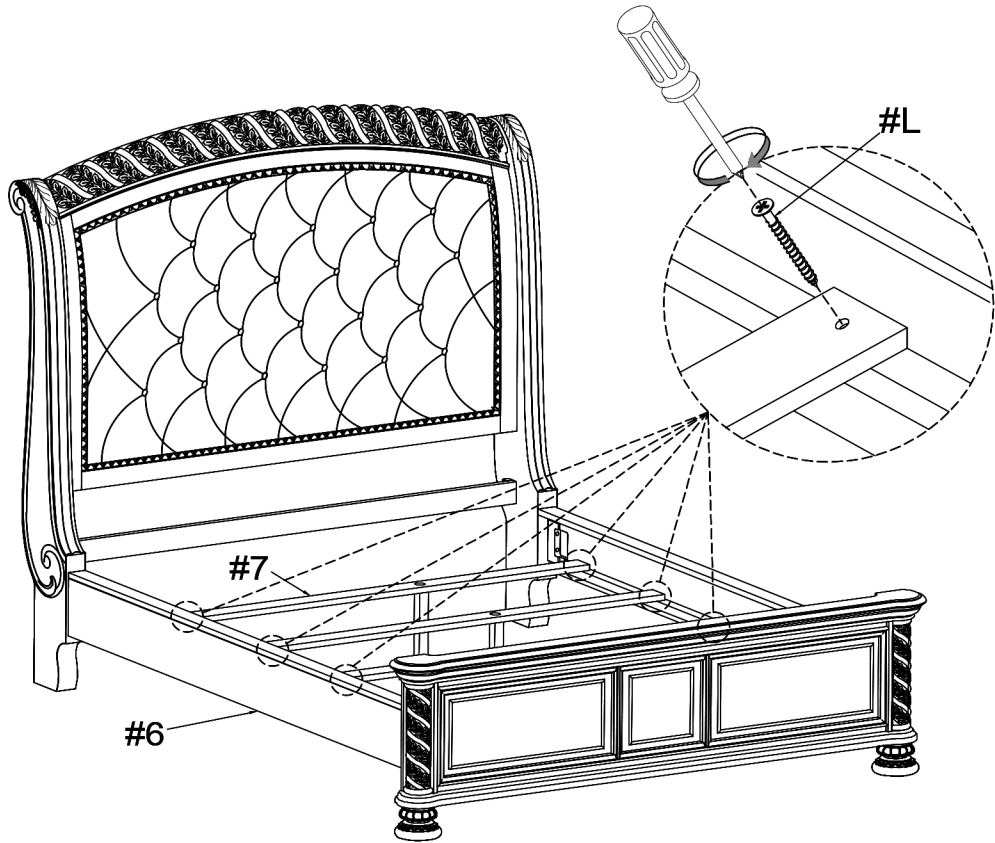


# ASSEMBLY INSTRUCTIONS

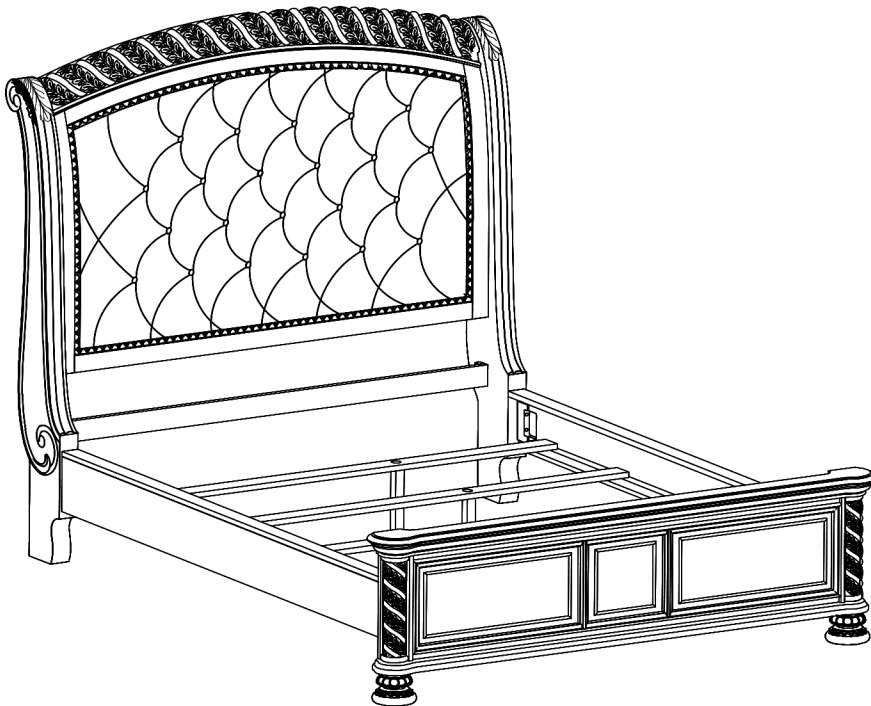
## 5

Hardware (#L) x6pcs

Secure Slat (#7)  
using Screw (#L)



## 6



### ASSEMBLY COMPLETED



Please ensure the furniture rests on an even and flat surface. If the product wobbles or feels loose, double-check all bolts and/or screws are properly tightened and secured.



#### Keep this handy!

Please retain this instruction manual and any order-related information for future reference.



#### Lift, don't drag!

To avoid damage to product please always LIFT the product when transporting or adjusting the placement.