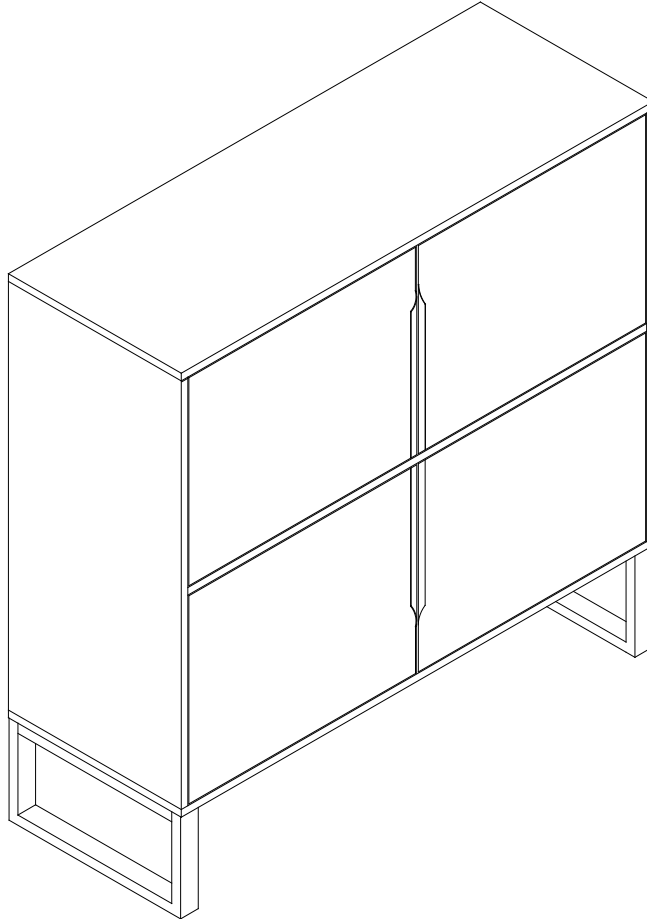
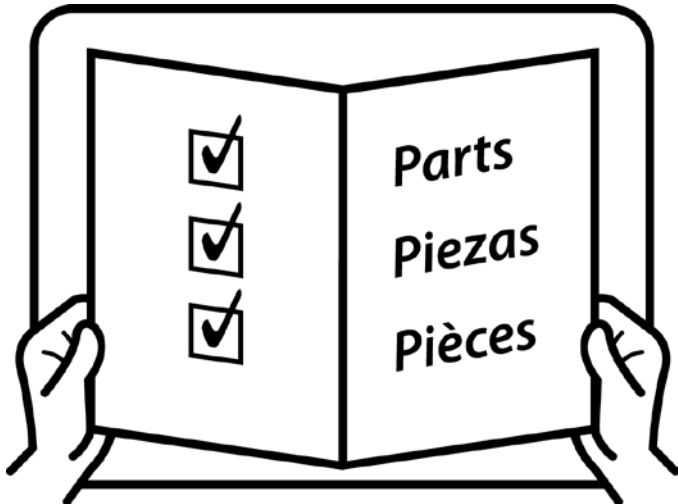
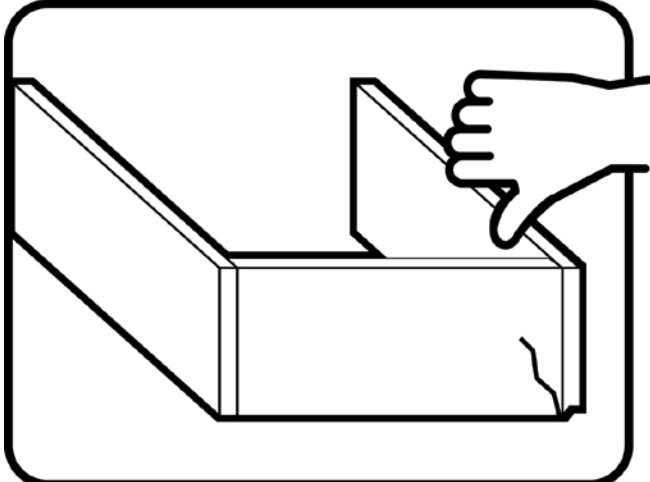
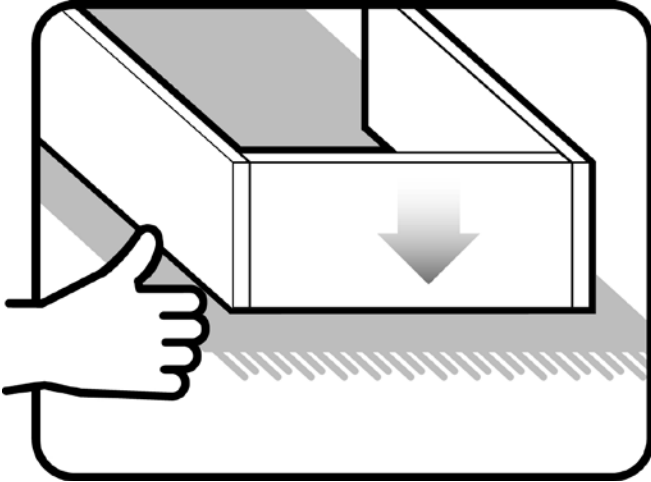
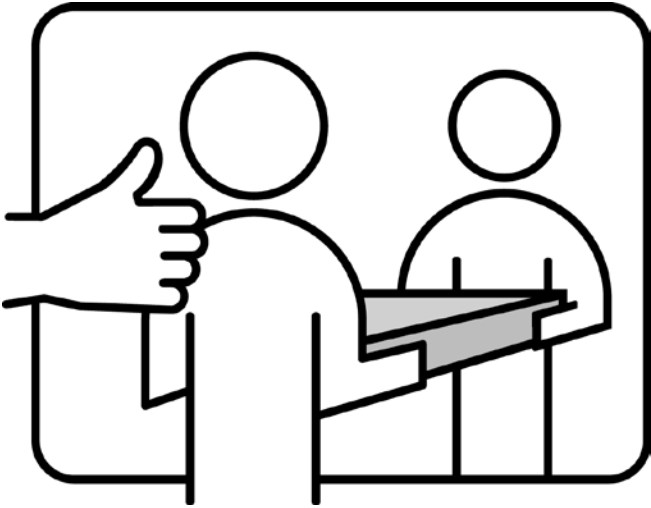
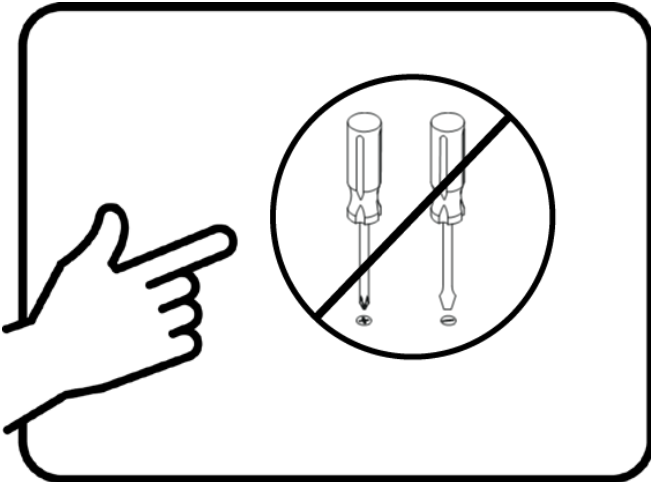


Assembly | Asambla | Assemblage



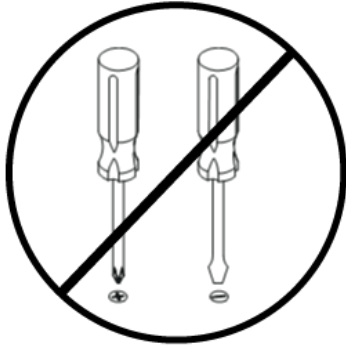
Thank you for your purchase! | ¡Gracias por tu compra! | Merci pour votre achat!

Assembly | Asambla | Assemblage



Assembly | Asamblea | Assemblage

Techniques | Técnicas | Techniques



Care | Cuidado | Entretien



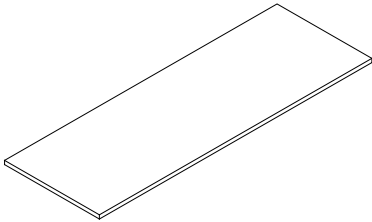
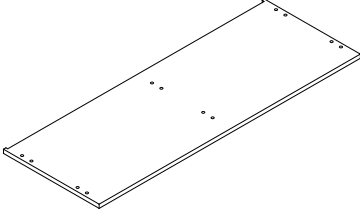
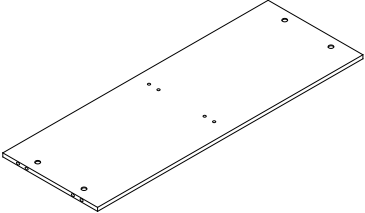
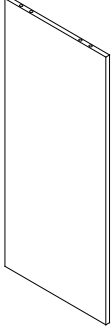
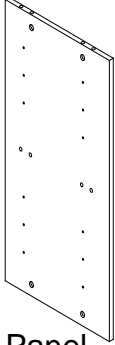
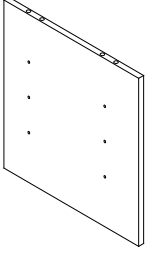
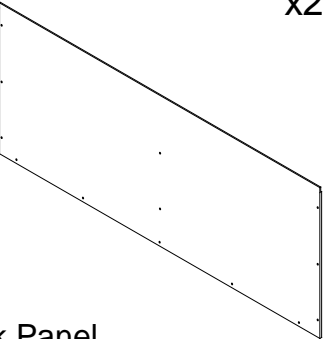
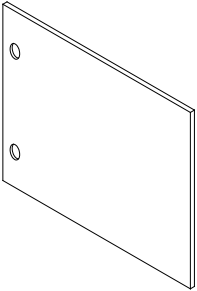
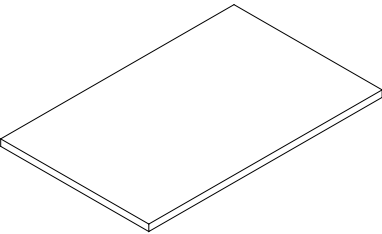
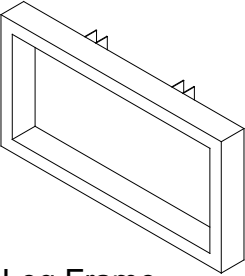
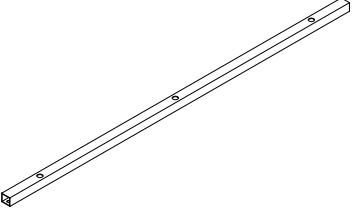
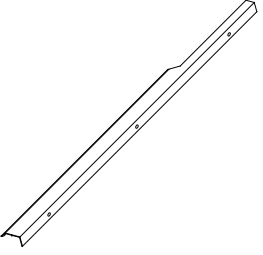
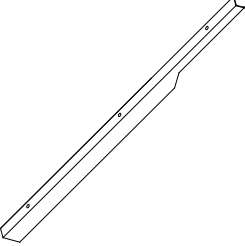
Safety | Seguridad | Sécurité




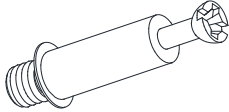
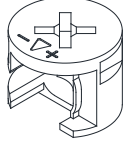
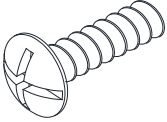
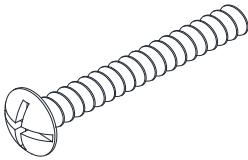
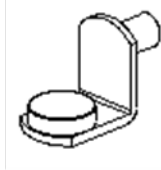
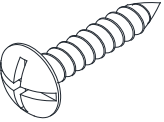
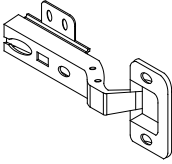
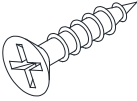
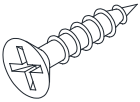
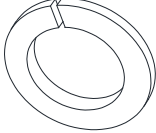
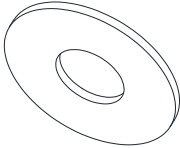
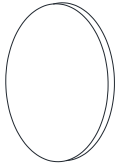
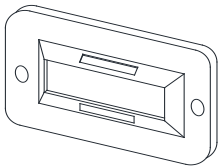
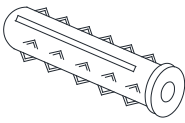
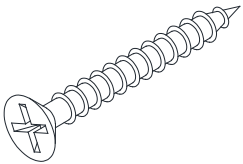

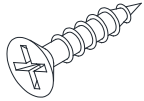
Note! | ¡Nota! | Remarque!



Assembly | Asambla | Assemblage

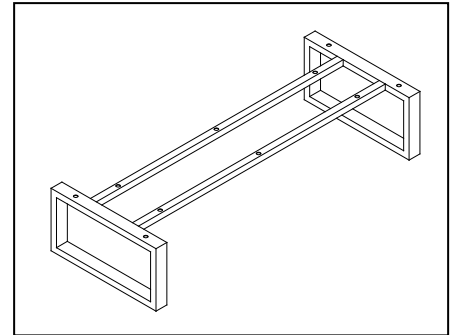
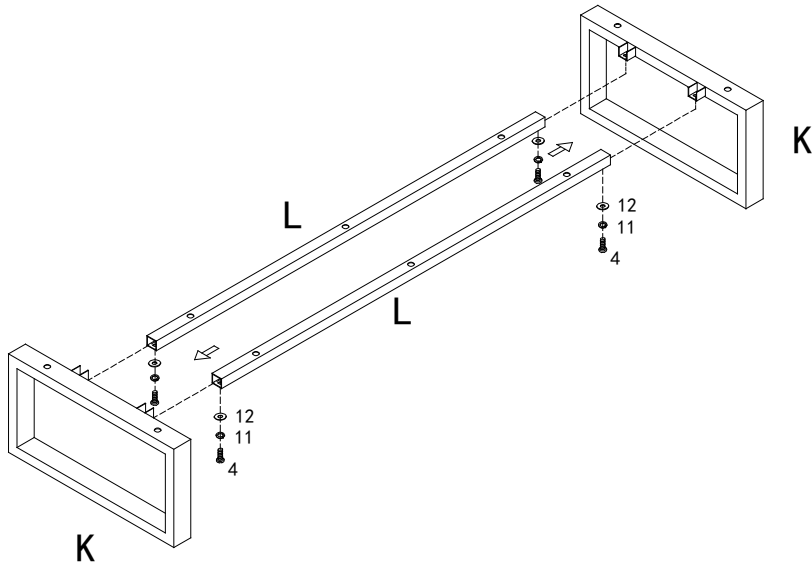
<p>A x1</p>  <p>Top panel</p>	<p>B x1</p>  <p>Bottom Panel</p>	<p>C x1</p>  <p>Middle Panel</p>
<p>D x1</p>  <p>Left Side Panel</p>	<p>E x1</p>  <p>Right Side Panel</p>	<p>F x2</p>  <p>Vertical Panel</p>
<p>H x2</p>  <p>Back Panel</p>	<p>I x4</p>  <p>Door</p>	<p>J x4</p>  <p>Shelf</p>
<p>K x2</p>  <p>Metal Leg Frame</p>	<p>L x2</p>  <p>Leg Frame Connector</p>	<p>M x2</p>  <p>Handle</p>
<p>N x2</p>  <p>Handle</p>		

Assembly | Asamblea | Assemblage

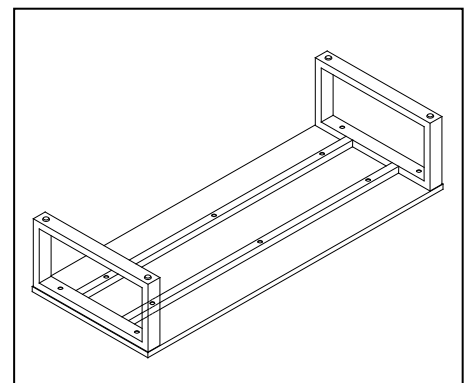
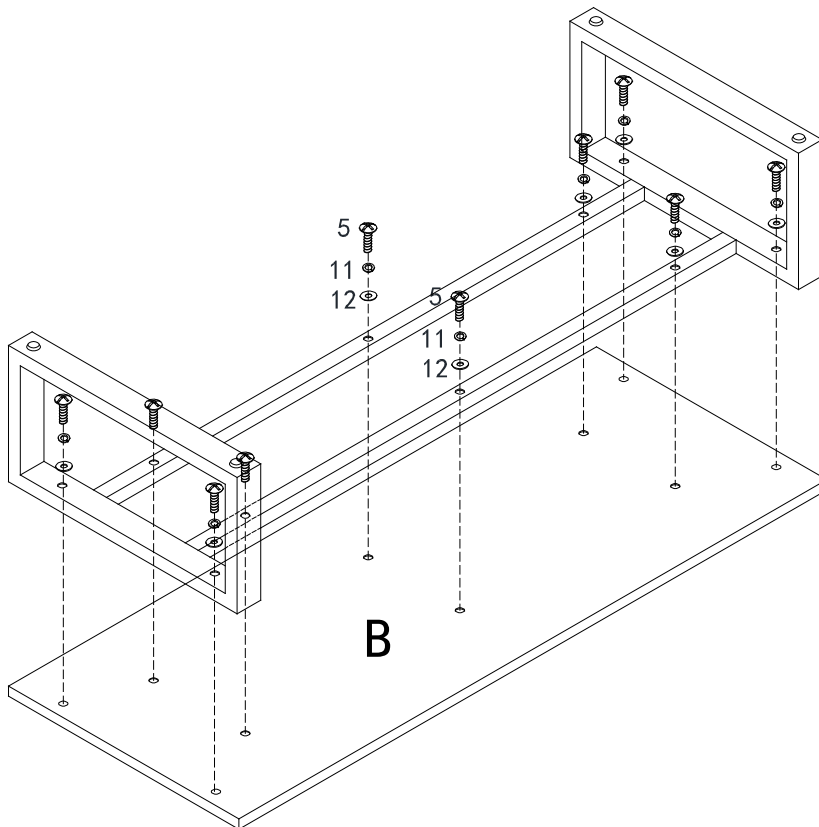
1	x20	2	x20	3	x20
					
Wood dowel		Cam Bolt		Cam Lock	
4	x4	5	x10	6	x16
					
LONG BOLT		LONG BOLT		Shelf Holder	
7	x26	8	x8	9	x48
					
Screw		Hinge		Flat Head Short Screw	
10	x8	11	x14	12	x14
					
Flat Head Short Screw		Spring Washer		Flat Washer	
13	x20	14	x4	15	x4
					
Plastic Cover		Bracket		Wall Anchor	
16	x4	17	x2	18	x4
					
Screw		Plastic Chain		Flat Head Short Screw	

Assembly | Asambla | Assemblage

1

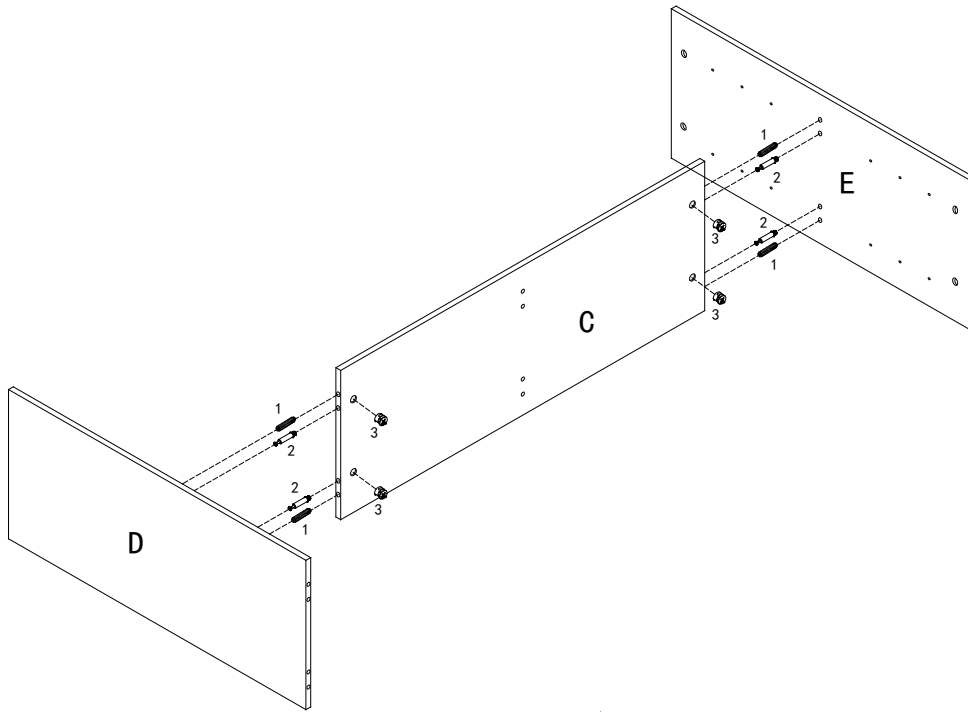


2

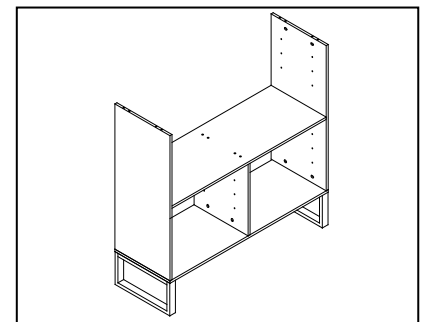
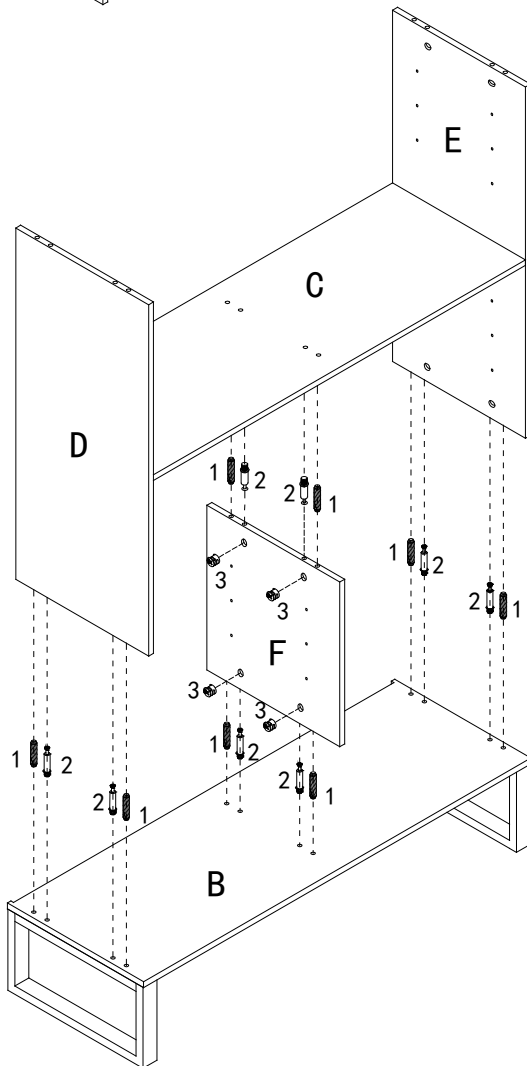


Assembly | Asambla | Assemblage

3

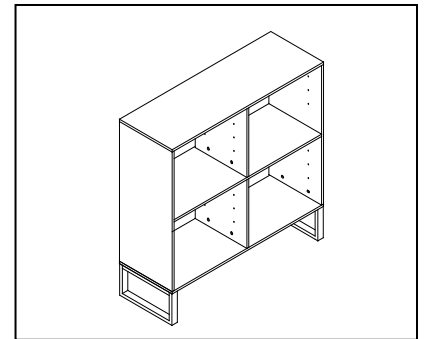
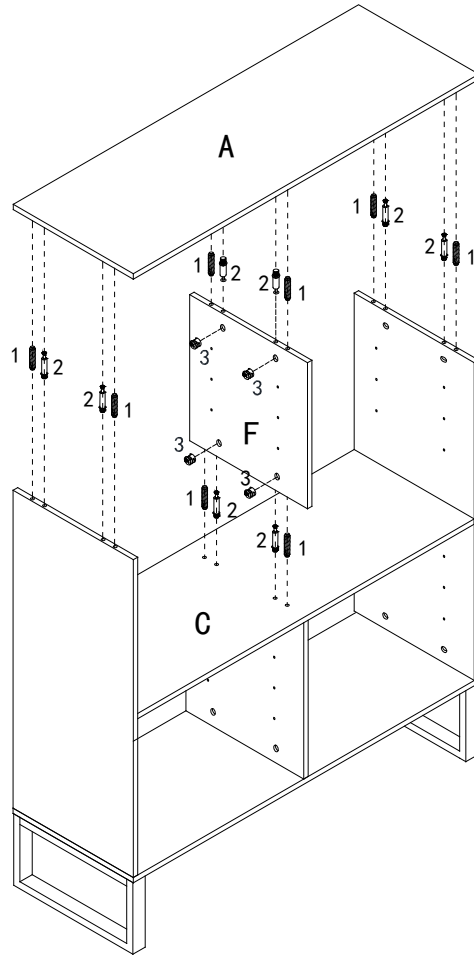


4

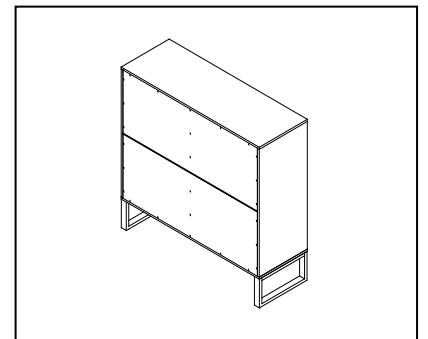
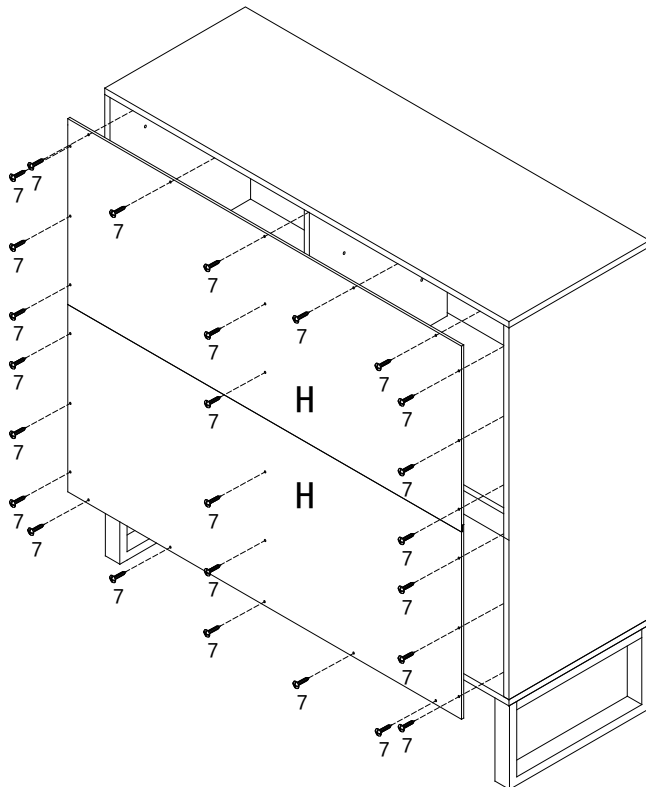


Assembly | Asambla | Assemblage

5

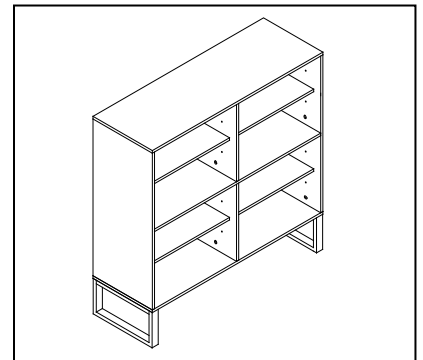
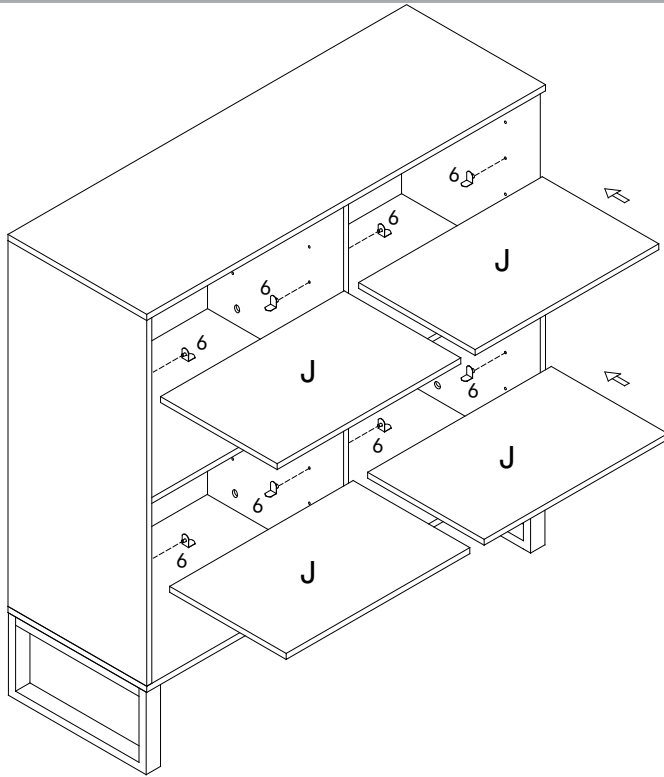


6

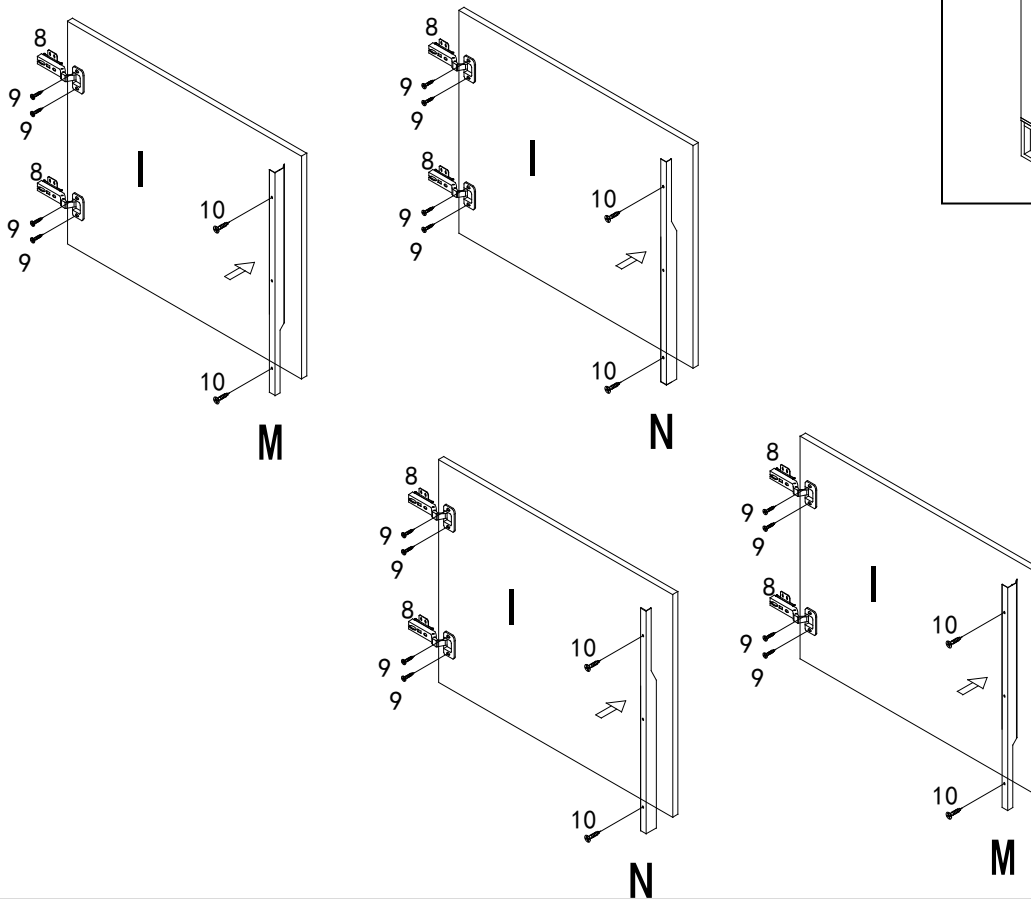


Assembly | Asambla | Assemblage

7

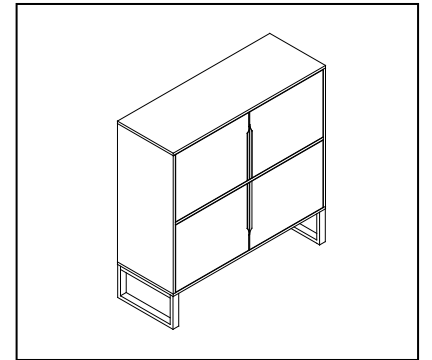
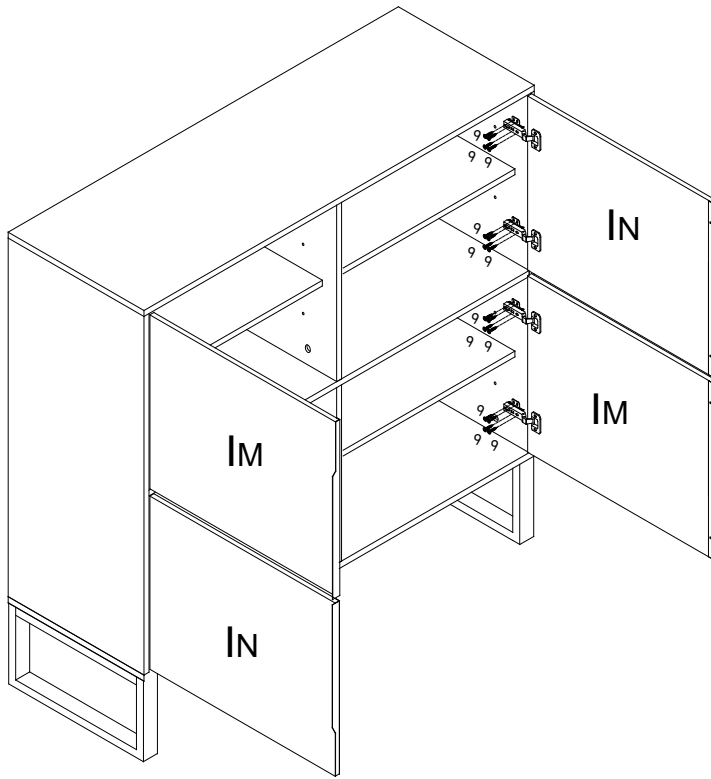


8

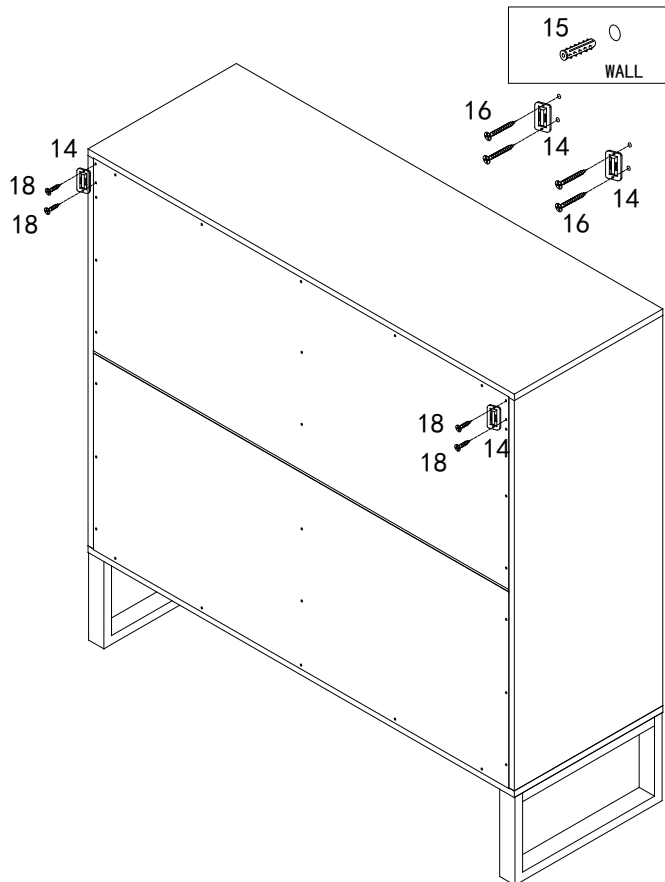


Assembly | Asambllea | Assemblage

9

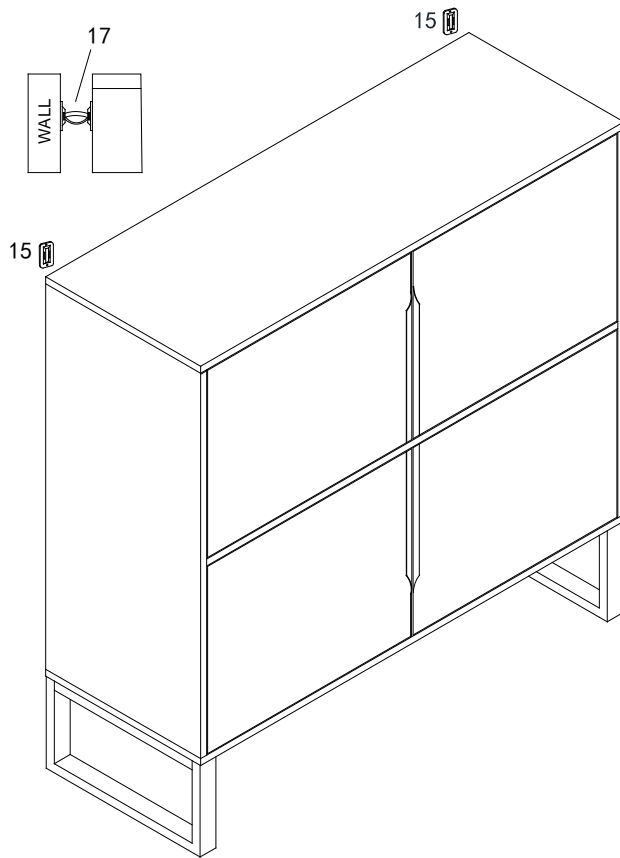


10



Assembly | Asambla | Assemblage

11



To achieve uniform clearance around the door, you may need to adjust the door by tightening or loosening the two screws on the hinge itself.

Para lograr un espacio uniforme alrededor de la puerta, es posible que deba ajustar la puerta apretando o aflojando los dos tornillos de la bisagra.

Pour obtenir un jeu uniforme autour de la porte, vous devrez peut-être ajuster la porte en serrant ou en desserrant les deux vis de la charnière.