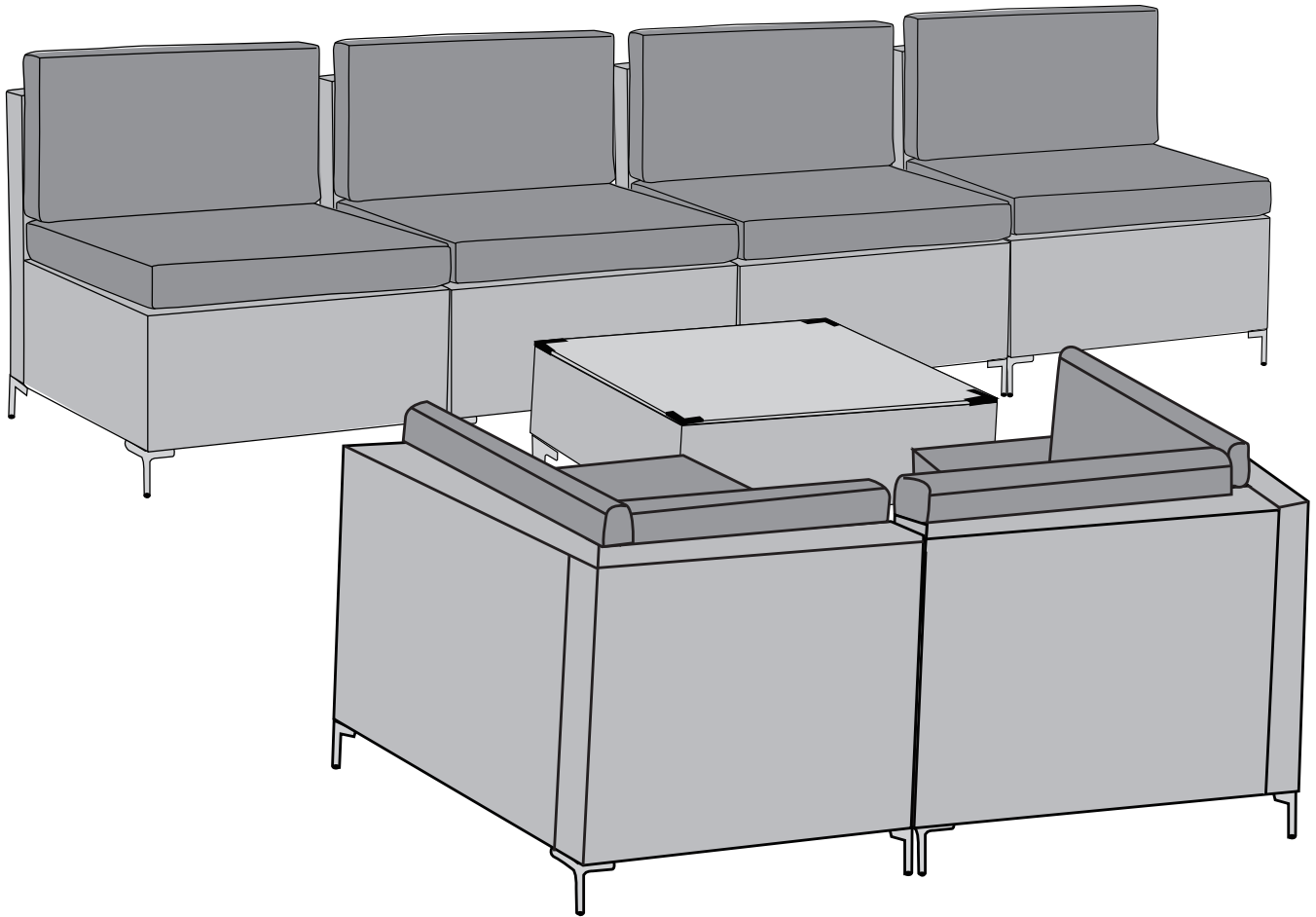


# ASSEMBLY INSTRUCTION SS16004

## -----7 PCS Patio Furniture Set-----

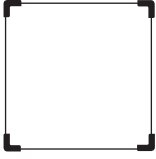
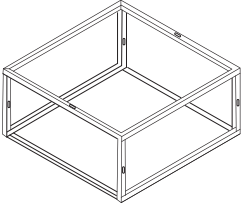
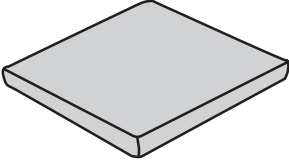
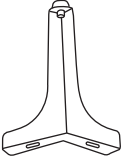
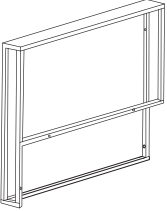
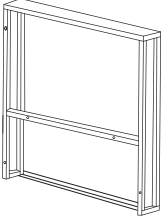
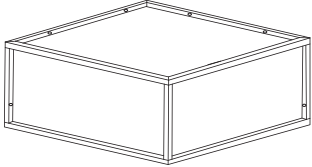
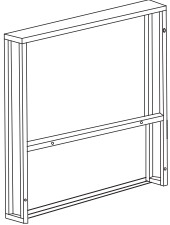
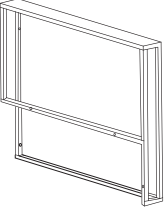
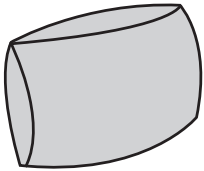
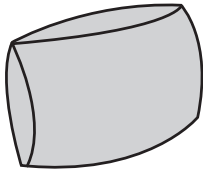




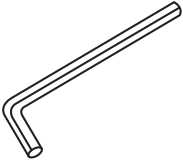


### Attention

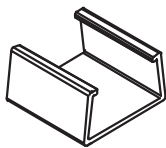
Thanks for choosing our product.

1. There will be 2 boxes in total for this whole product. Before assembling, please check you receive all the parts listed below. If there is any damage, please send us clear photos of the damaged parts as attachments. We will check and offer you the best solution soon. If there are any missing items or other issues, please feel free to contact our customer service team for assistance.
2. Two persons are recommended to assemble the set. Recommend to use waterproof furniture cover for entire furniture set when it is used outdoors to keep them longer lifetime.
3. The cushion covers are made of water-repellent fabric, not enough to prevent rain.

# Package A Part List

<p><b>A</b></p>  <p>Table Glass*1</p>	<p><b>B</b></p>  <p>Table Rattan Part*1</p>	<p><b>C</b></p>  <p>Seat Cushion*2</p>	<p><b>D</b></p>  <p>Sofa foot*12</p>
<p><b>G</b></p>  <p>Left Sofa Rattan Back*1</p>	<p><b>H</b></p>  <p>Left Sofa Rattan Arm*1</p>	<p><b>I</b></p>  <p>Corner Sofa Rattan Seat*2</p>	<p><b>J</b></p>  <p>Right Sofa Rattan Back*1</p>
<p><b>K</b></p>  <p>Right Sofa Rattan Arm*1</p>	<p><b>L</b></p>  <p>Back Cushions*2</p>	<p><b>M</b></p>  <p>Armrest Cushions*2</p>	<p><b>T1</b></p>  <p>M6*15 Screw*24</p>
<p><b>T2</b></p>  <p>M6*35 Screw*14</p>	<p><b>T3</b></p>  <p>M6*95 Screw*2</p>	 <p>Washer*40</p>	 <p>Allen Key</p>

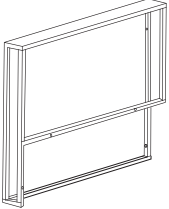
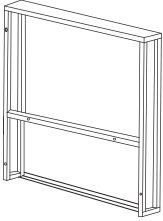
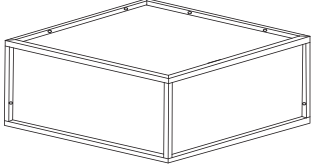



Q

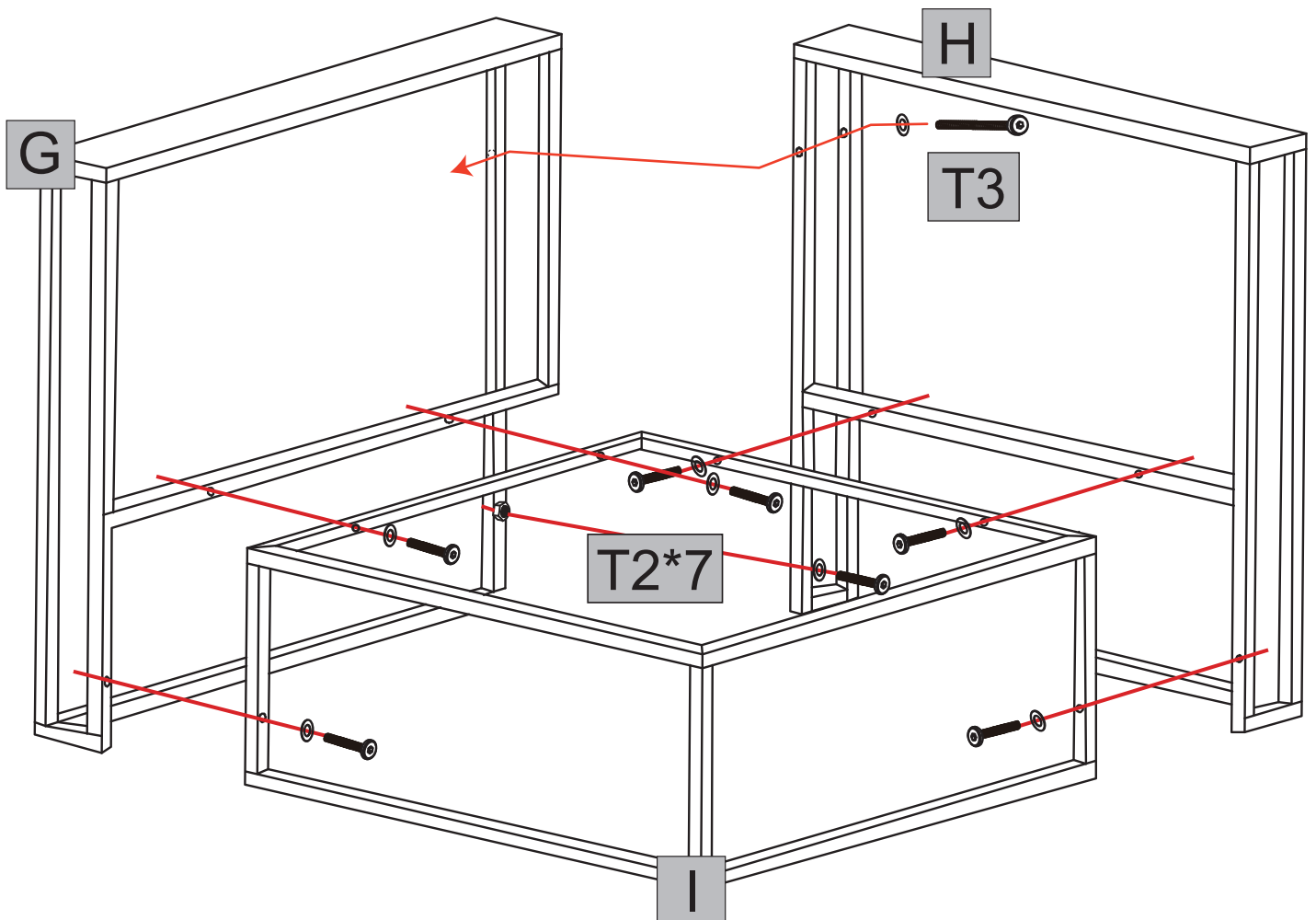


Secure the clips\*4

# Left Corner Sofa Assembly

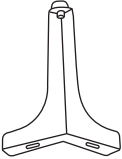


## STEP 1

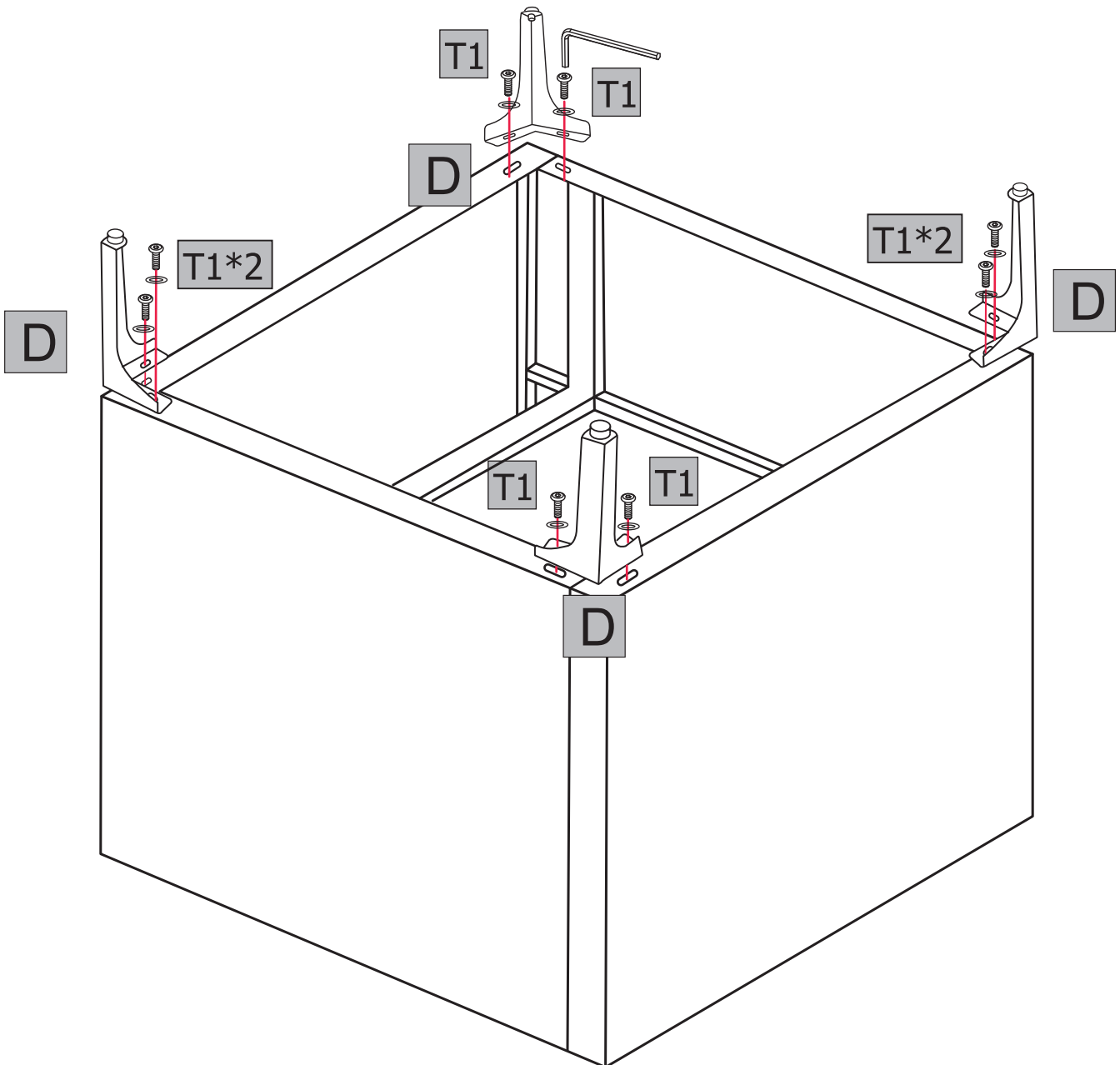
<b>G</b>  Left Sofa Rattan Back*1	<b>H</b>  Left Sofa Rattan Arm*1	<b>I</b>  Corner Sofa Rattan Seat*1	<b>T2</b>  M6*35 Screw*7
<b>T3</b>  M6*95 Screw*1	 Washer*8		



# Left Corner Sofa Assembly

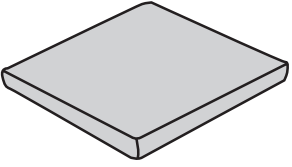
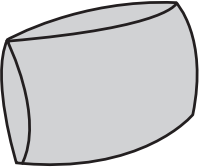
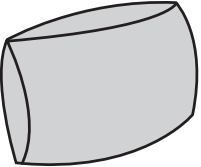
## STEP 2

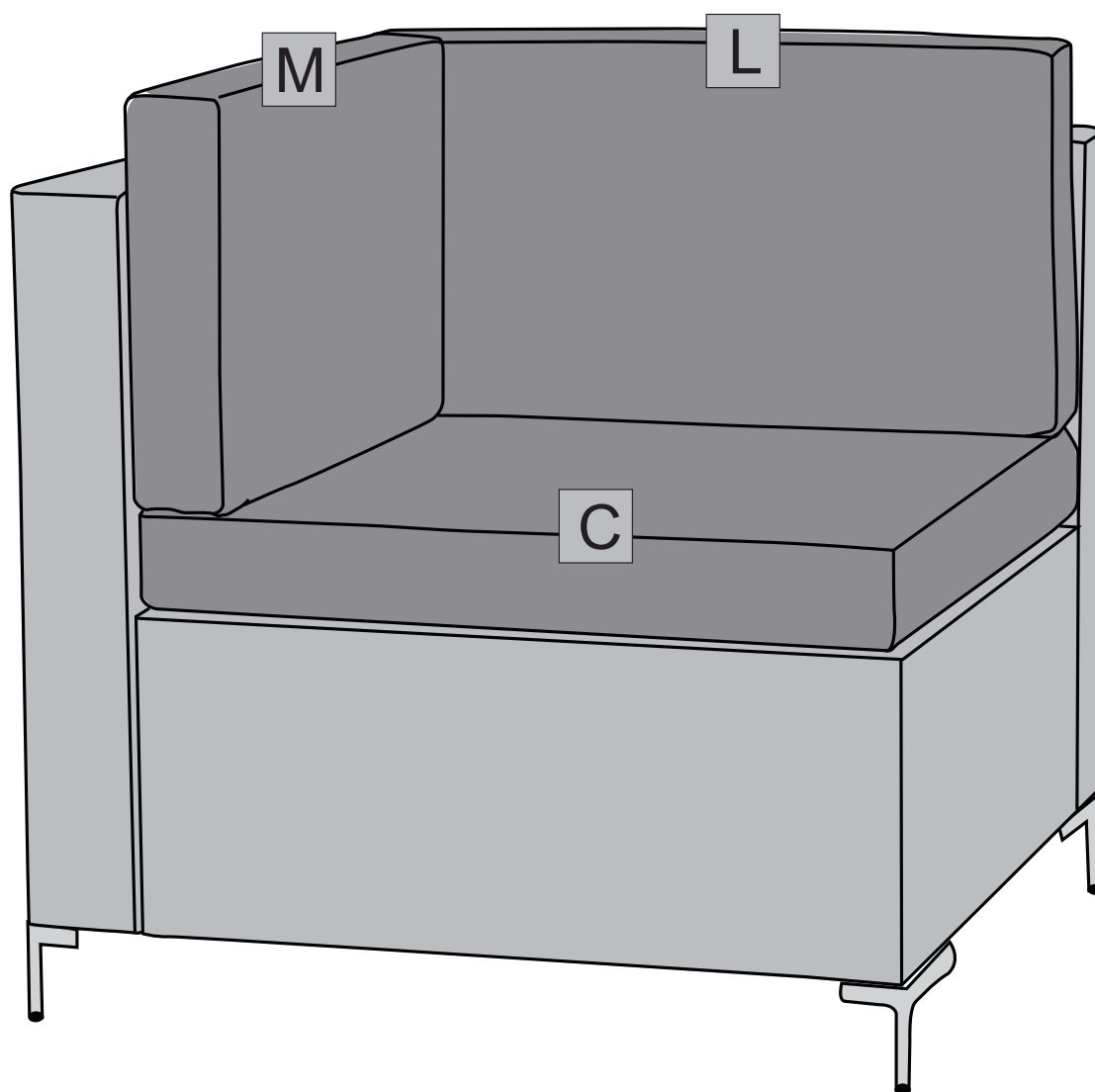
<p><b>D</b></p>  <p>Sofa foot*4</p>	<p><b>T1</b></p>  <p>M6*15 Screw*8</p>	 <p>Washer*8</p>
--	---	--



# Left Corner Sofa Assembly

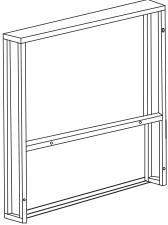
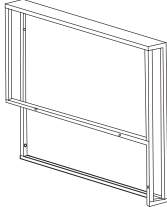
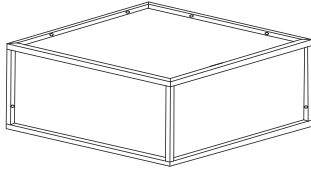



## STEP 3

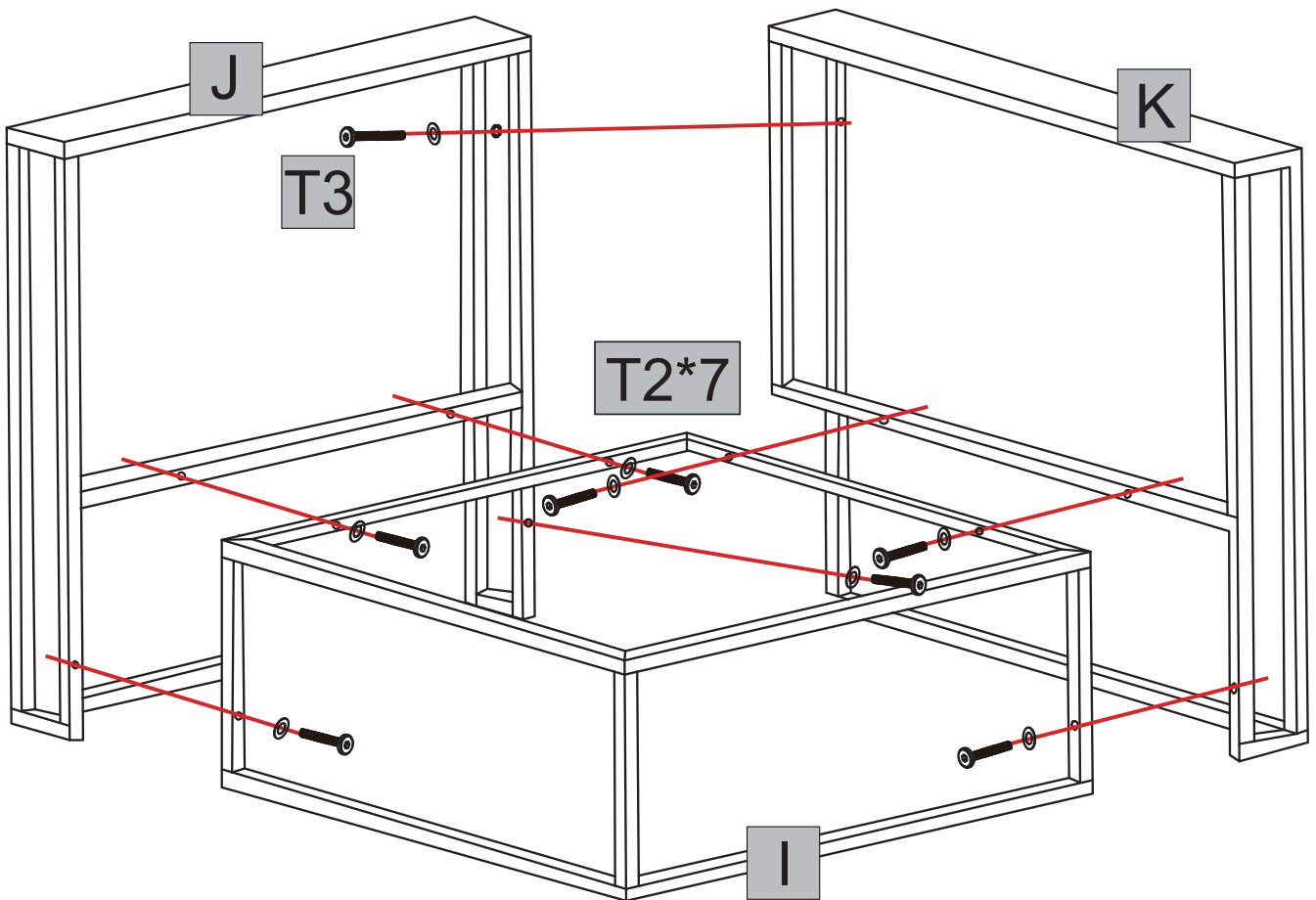
<p><b>C</b></p>  <p>Seat Cushion*1</p>	<p><b>L</b></p>  <p>Back Cushions*1</p>	<p><b>M</b></p>  <p>Armrest Cushions*1</p>
---	--	--



# Right Corner Sofa Assembly

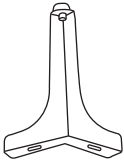


## STEP 1

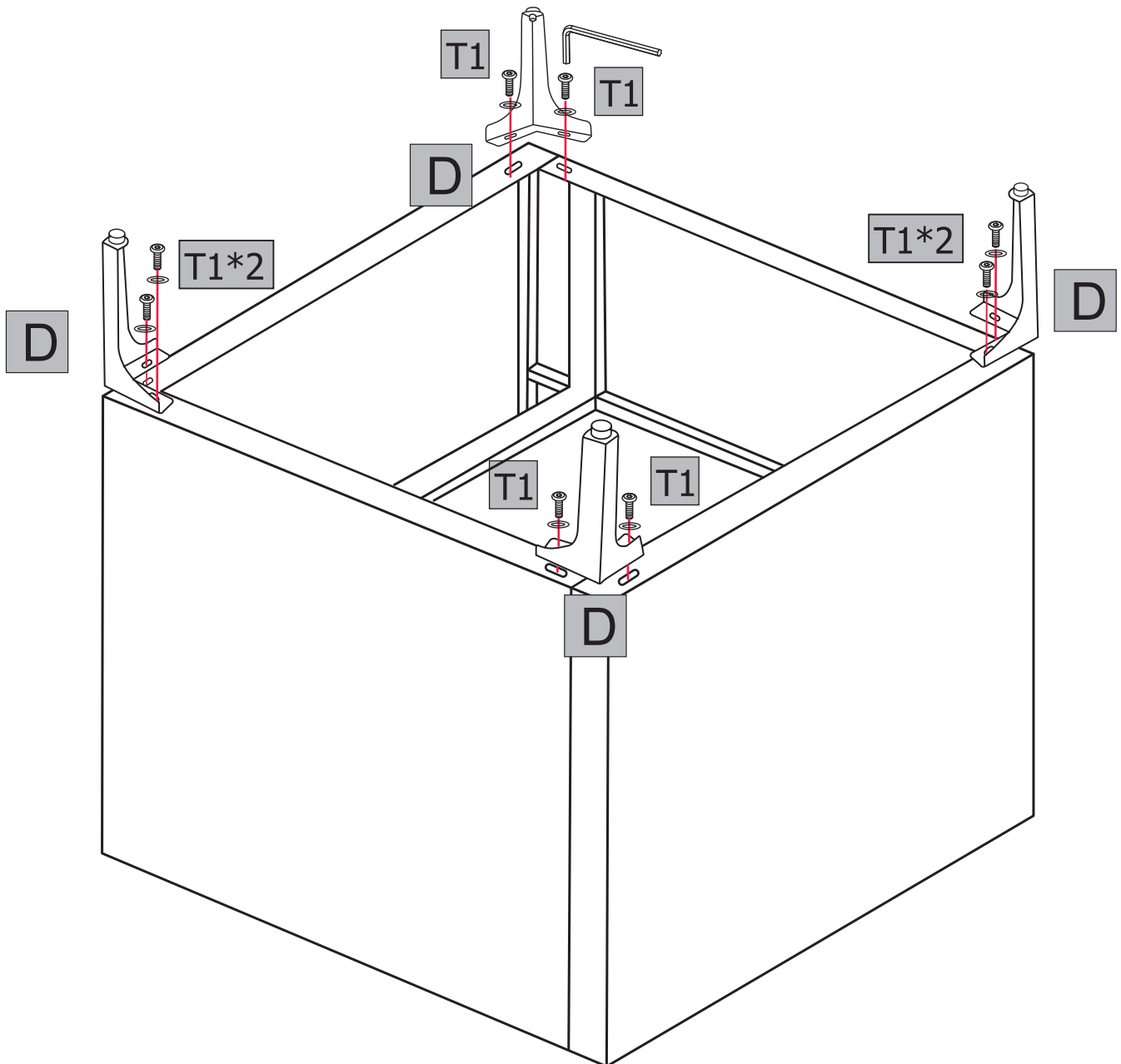
<b>J</b>  Right Sofa Rattan Back*1	<b>K</b>  Right Sofa Rattan Arm*1	<b>I</b>  Corner Sofa Rattan Seat*1	<b>T2</b>  M6*35 Screw*7
<b>T3</b>  M6*95 Screw*1	 Washer*8		



# Right Corner Sofa Assembly

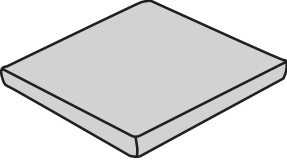
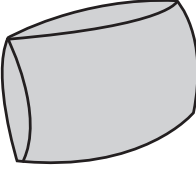
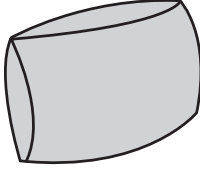
## STEP2

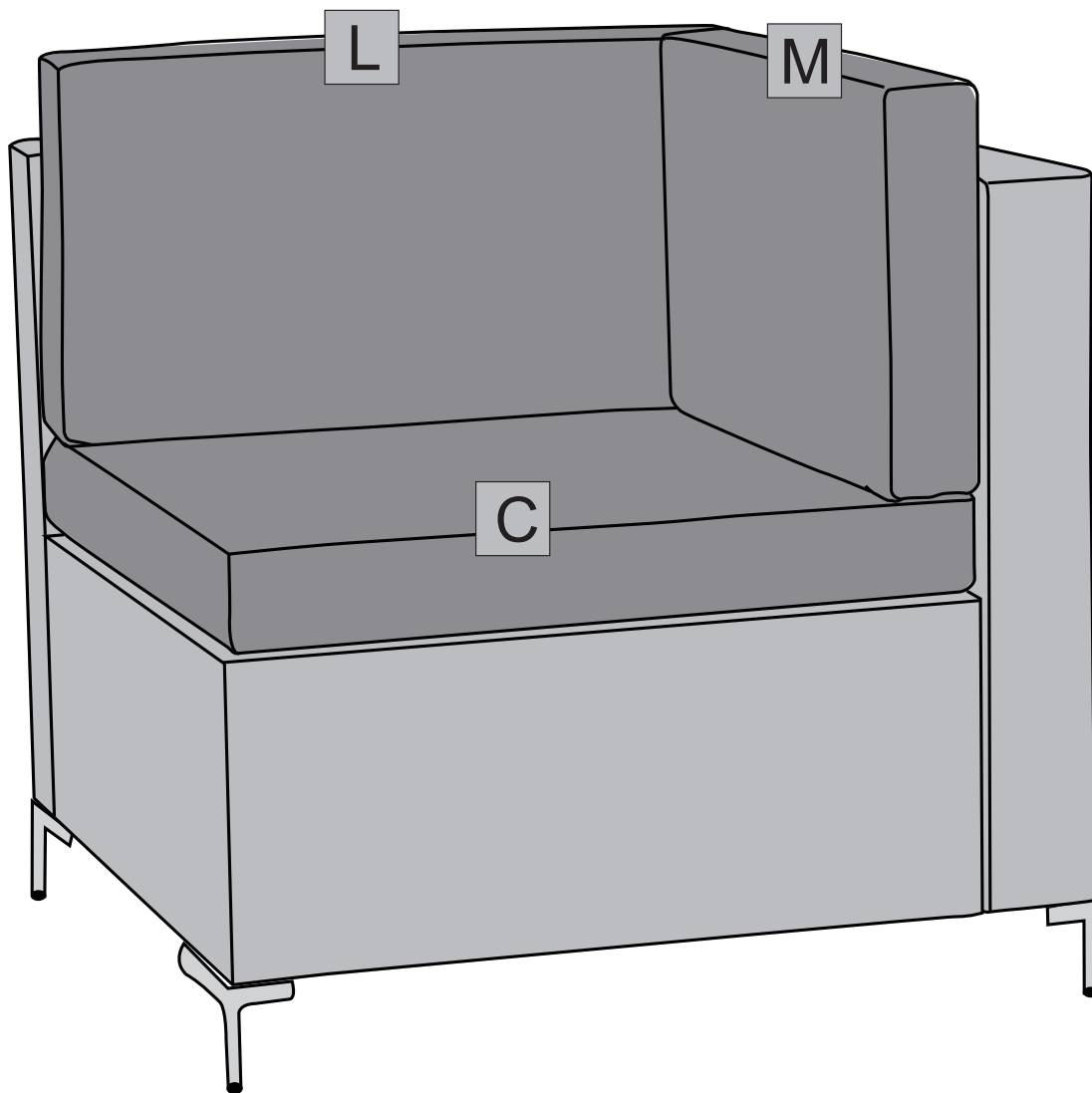
<b>D</b>  Sofa foot*4	<b>T1</b>  M6*15 Screw*8	 Washer*8
--	---	--



# Left Corner Sofa Assembly

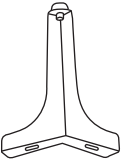


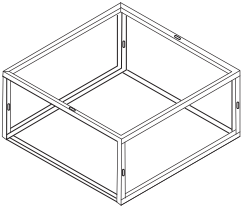
## STEP 3

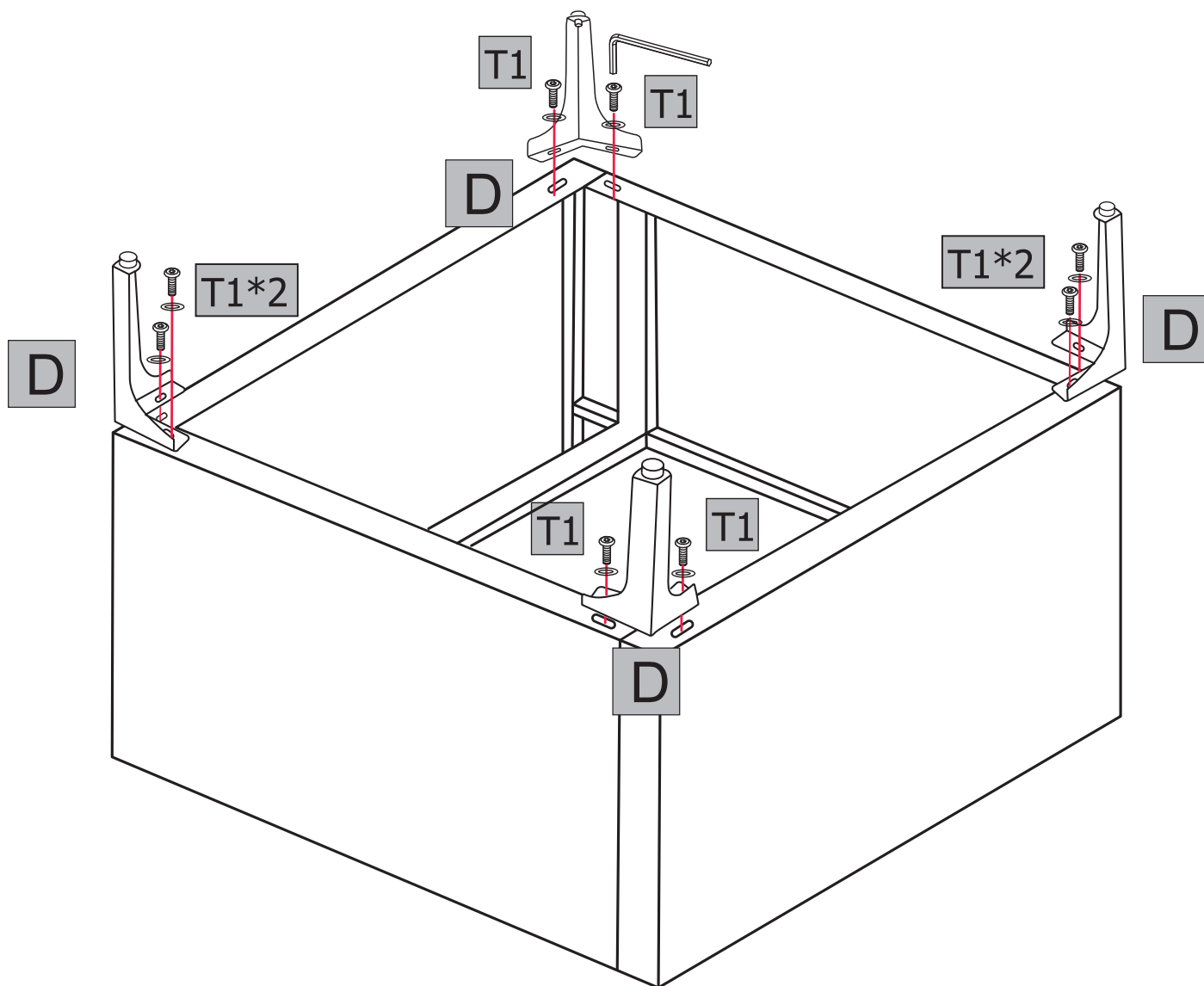
<p><b>C</b></p>  <p>Seat Cushion*1</p>	<p><b>L</b></p>  <p>Back Cushions*1</p>	<p><b>M</b></p>  <p>Armrest Cushions*1</p>
---	--	--



# Coffee Table Assembly

## STEP 1

<b>D</b>  Sofa foot*4	<b>T1</b>  M6*15 Screw*8	 Washer*8	<b>B</b>  Table Rattan Part*1
--	---	--	--



# Coffee Table Assembly

## STEP 2

A

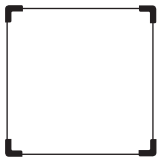


Table Glass\*1

B

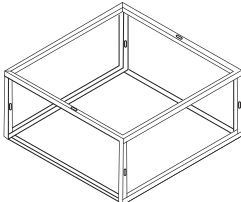
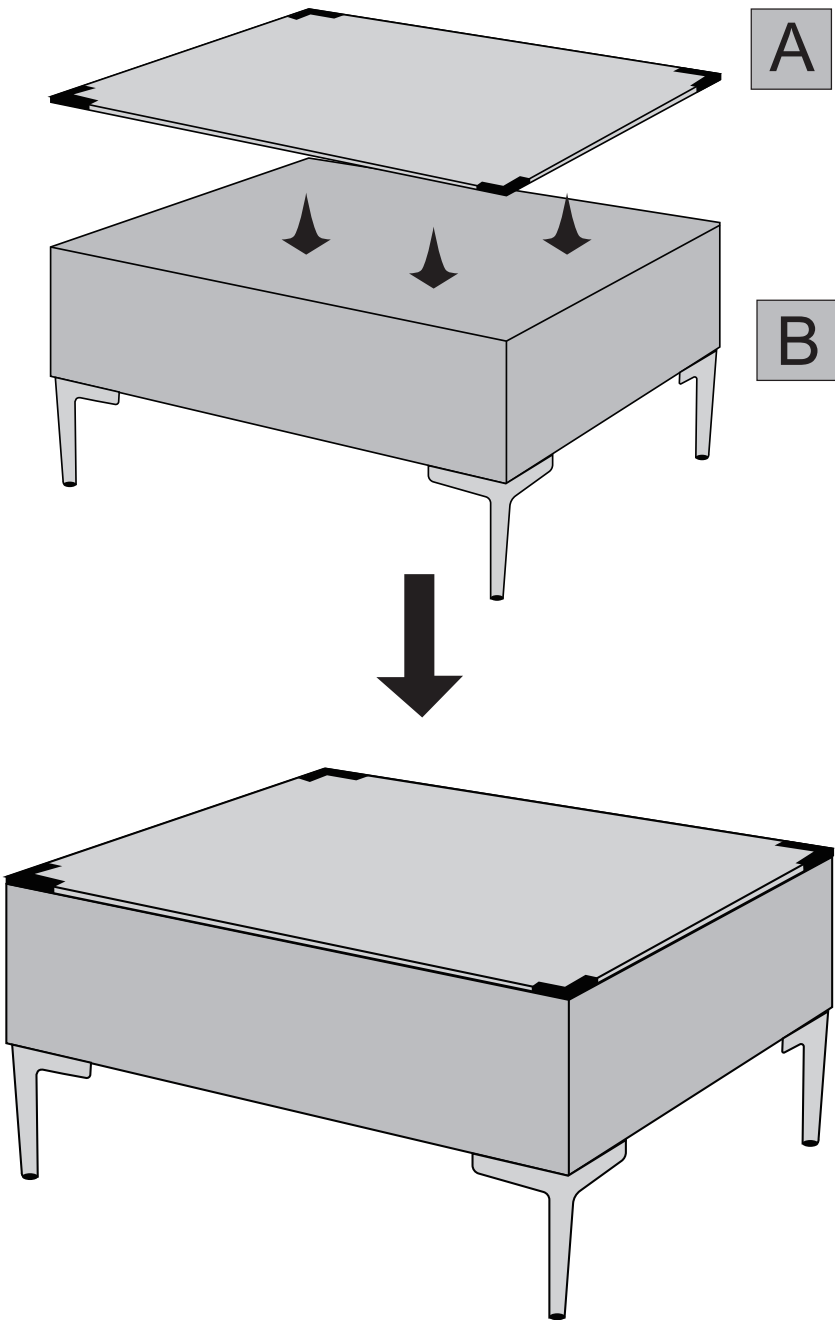
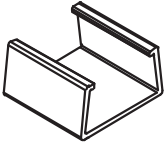


Table Rattan Part\*1

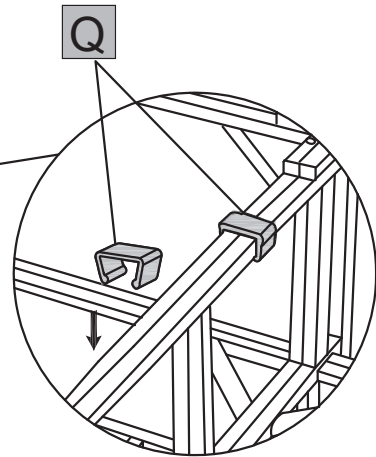
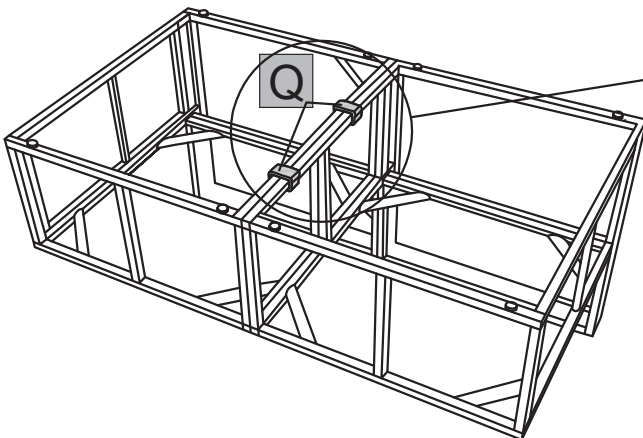
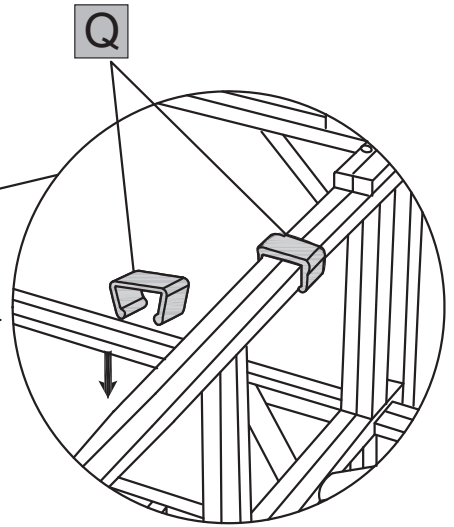
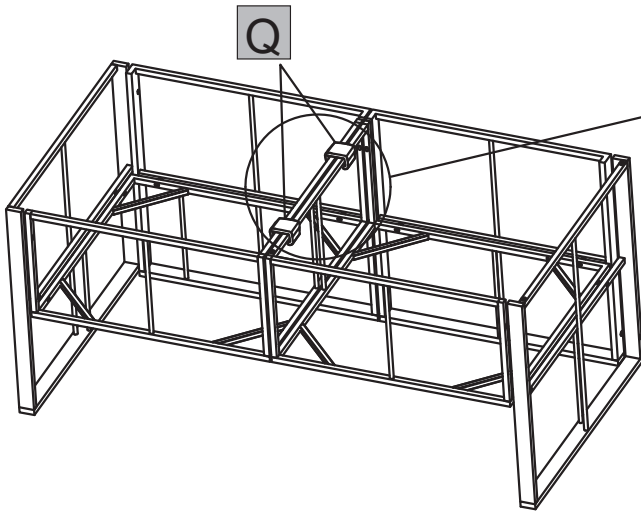


# Clips Assembly

Q



Secure the clips\*4



Use clips to keep the sofas connected.