

KOHLER®

Wellworth®

Two-piece elongated toilet, 1.28 gpf
K-3948-RZ

Features

- Two-piece design
- Elongated bowl offers added room and comfort
- Right-hand Polished Chrome trip lever
- Insuliner® tank liner minimizes condensation on the tank
- Tank cover locks included
- Combination consists of the K-4841-RZ tank and the K-4198 bowl
- Coordinates with other products in the Wellworth collection
- KOHLER's canister flush valve harnesses the natural force of gravity and optimizes flushing performance
- Eligible for consumer rebates in some municipalities
- 1.28 gpf (4.8 lpf)
- 2-1/8" (54 mm) fully glazed trapway
- Class Five® canister optimizes the flow out of the tank, harnessing gravity and the natural powerful reducing cascade of water to increase the power and effectiveness of the flush

Installation

- Three-bolt quick-connect installation
- Seat and supply line sold separately

Recommended Products/Accessories

K-5420 Low-Profile Bolt Caps
K-9379 Trip Lever
1023457 Wax Ring/Hardware Kit
1265114 Connector Hose
K-23726 Drain treatment
K-4636-RL Cachet® ReadyLatch® Quiet-Close™ elongated toilet seat

Included Components

K-4198 Elongated toilet bowl
K-4841-RZ Toilet tank, 1.28 gpf



Codes/Standards



ASME A112.19.2/CSA B45.1
DOE - Energy Policy Act 1992
EPA WaterSense®
California Energy Commission (CEC)
IAPMO Certification

KOHLER® Toilets and Seats Limited Warranty

See website for detailed warranty information.

Available Colors/Finishes

Color tiles intended for reference only.

| Color | Code | Description |
|---|------|-------------|
|  | 0 | White |
|  | 96 | Biscuit |

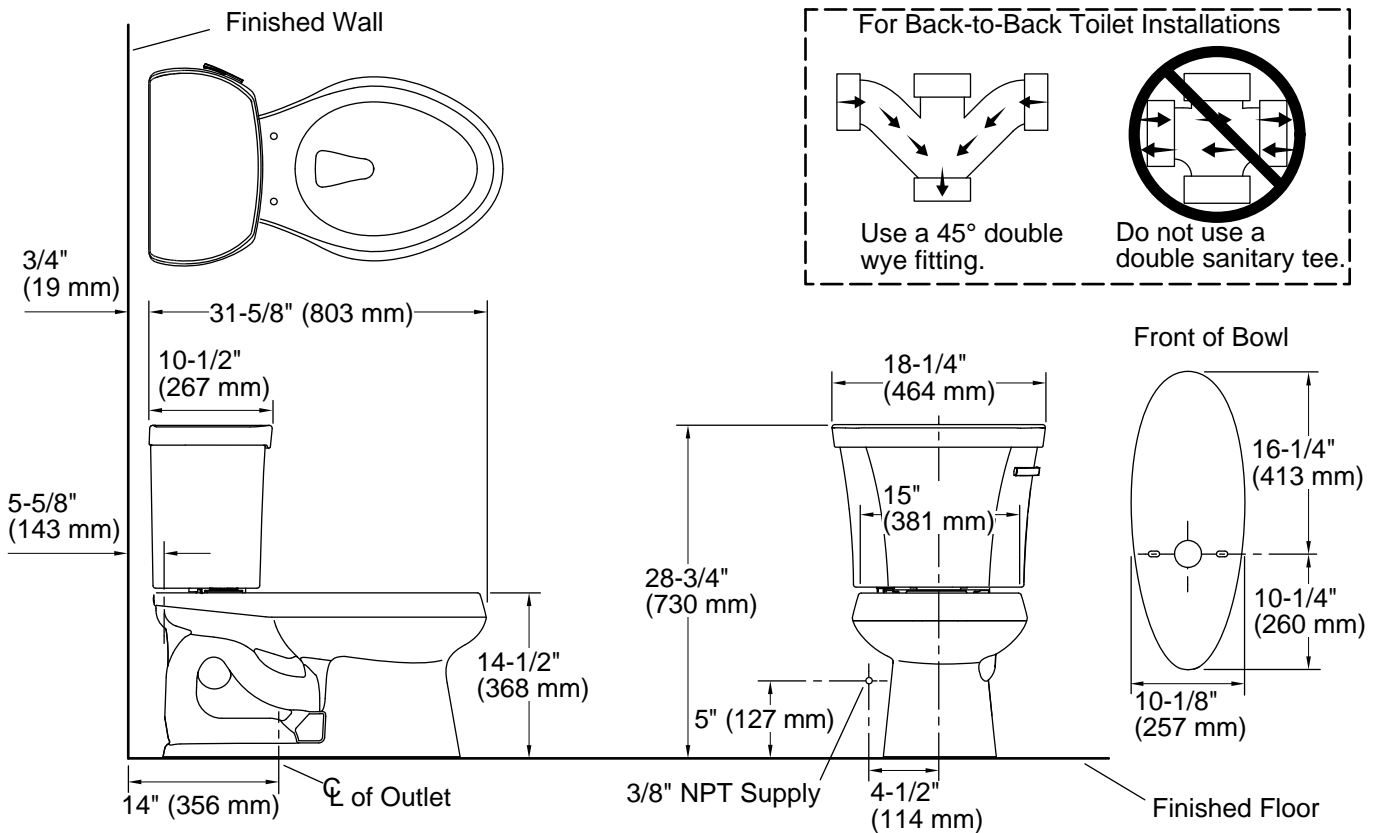
1-800-4KOHLER (1-800-456-4537)

Kohler Co. reserves the right to make revisions without notice to product specifications.

For the most current Specification Sheet, go to www.kohler.com USA or www.kohler.ca Canada

12-23-2024 20:31 - US/CA

THE BOLD LOOK
OF **KOHLER®**



Technical Information

All product dimensions are nominal.

| | |
|-----------------------|------------------------------------|
| Toilet type: | Floor-mount |
| Waste Outlet: | Floor |
| Bowl shape: | Elongated |
| Flush type: | Class Five |
| Trap passageway: | 2-1/8" (54 mm) |
| Water surface size: | 11-1/4" x 8-1/4" (286 mm x 210 mm) |
| Rim to water surface: | 5-1/4" (133 mm) |
| Rough-in: | 14" (356 mm) |
| Seat-mounting holes: | 5-1/2" (140 mm) |

Notes

Install this product according to the installation instructions.

For back-to-back toilet installations: Use only a 45° double wye fitting.