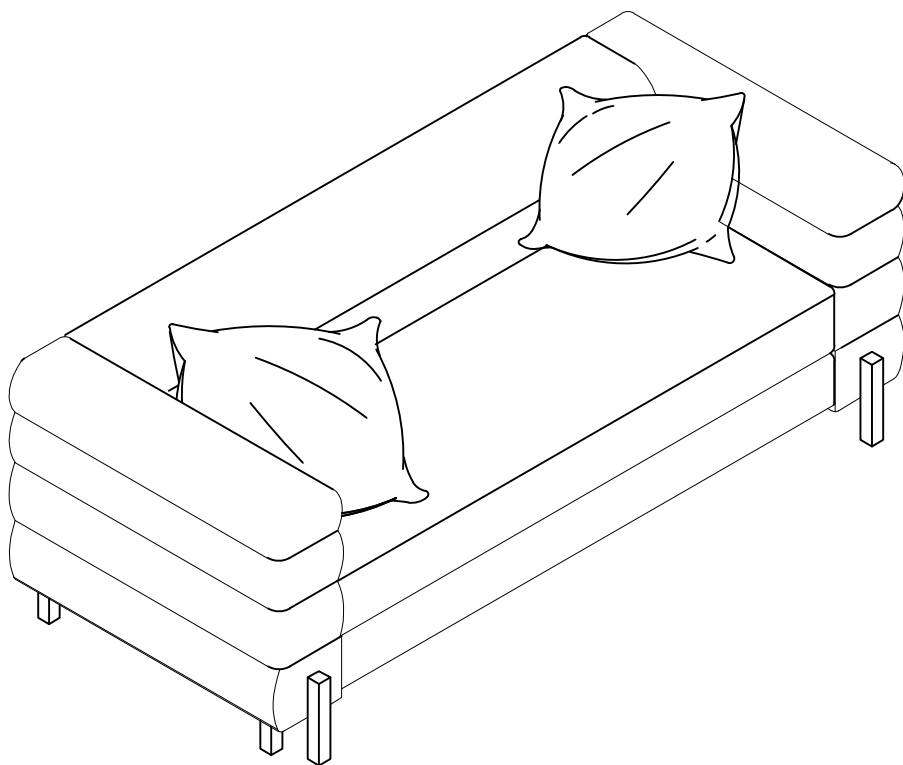


ASSEMBLY INSTRUCTIONS



TOOLS REQUIRED



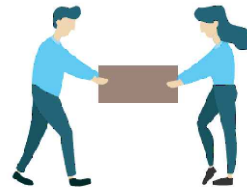
Allen Wrench

(Included)



Phillips
Screwdriver

(Not Included)



2 - People
Recommended

ASSEMBLY RATING



EASY ————— DIFFICULT

The Assembly Rating is a 5-point system showing the level of effort needed to assemble a specific product.



CHECK BEFORE STARTING

Are you missing anything?

Double-check all parts, hardware and accessories listed on Page 6 are accounted for.

Check out our Quick Tips!

We recommend reviewing the pre-assembly handouts. Even experts need a refresher now and then!

Should we send any replacements?

Are there any irregularities or flaws in the parts? We can send replacements!

Prep Time!

Please review the assembly instructions and all diagrams prior to assembling. Set up your workspace by laying the parts and hardware out separately, then begin!

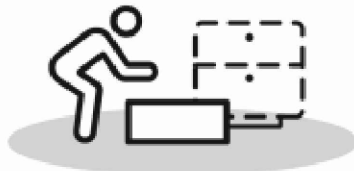
PRE ASSEMBLY INTRODUCTION

We understand building ready-to-assemble furniture can be a challenging experience for some. To help avoid confusion, we have provided some helpful tips that may speed up the process.



Teamwork

ALWAYS have at least two people to help with transporting and assembling the product to avoid potential injury and/or damage.



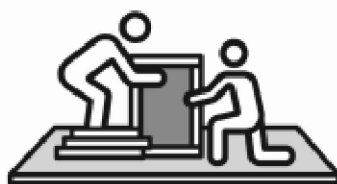
Suitable Location

Assembling near the area of the intended location is highly recommended.



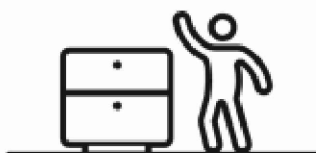
Sufficient Space

Make sure you have enough space to move around during the assembly.



Avoid Scratches

Use cardboard, blankets or a carpeted area while assembling furniture to prevent scratches.



Flat Surface

Make sure the furniture rests on a flat and level surface with each leg evenly touching the floor.

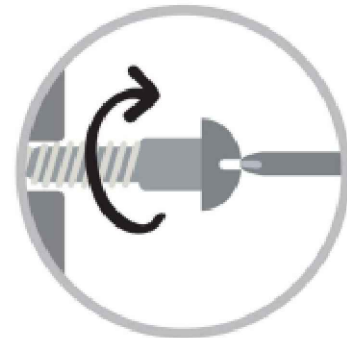
ASSEMBLY AND CARE ADVICE



**FAILURE TO FOLLOW THE GUIDELINES BELOW MAY
RESULT IN INJURY AND/OR PROPERTY DAMAGE.**



Position each part correctly and insert screws or bolts into their respective holes.



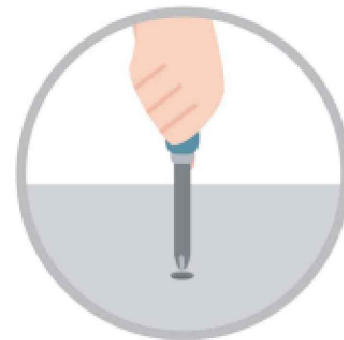
Turn clockwise to tighten and only tighten when step is completed or when instructed to do so.



Use the appropriate hand tools or power tools for assembly. Select steps, such as tightening screws and/or bolts, may require hand tools to avoid causing damage during assembly.



Save the instructions and store any supplied tools for later maintenance.

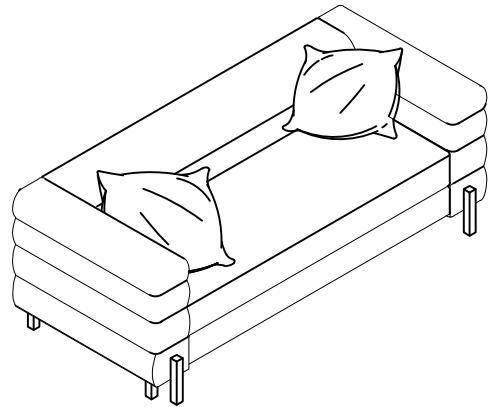


After two weeks, check and tighten any loose hardware and repeat again every six months thereafter.

IT IS THE USER'S RESPONSIBILITY TO MAINTAIN THE FURNITURE. THE HARDWARE MAY LOOSEN OVER TIME AND MAY CAUSE THE FURNITURE TO BE WOBBLY AND UNABLE TO SUPPORT ITS INTENDED WEIGHT CAPACITY. THIS MAY LEAD TO COLLAPSE AND MAY CAUSE SERIOUS INJURY.

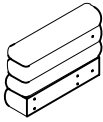


- Please keep instructions for future reference.
- Check the quantity and irregularity of parts and hardware before you start.



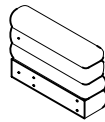
PART

#1 1pc



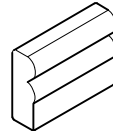
Left Arm Rest

#2 1pc



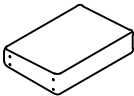
Right Arm Rest

#3 1pc



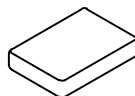
Sofa Back Rest

#4 1pc



Sofa Seat

#5 1pc



Seat Cushion

#6 4pcs



Metal Leg
(Left/Right)

#7 2pcs



Pillow

#8 1pc



Center Leg

HARDWARE

#A 14pcs



Bolt Ø5/16"x1-1/2"

#B 26pcs



Spring Washer

#C 26pcs



Flat Washer

#D 1pc


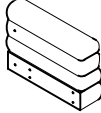
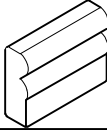





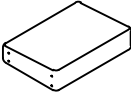
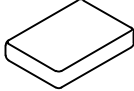


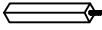


Allen Key

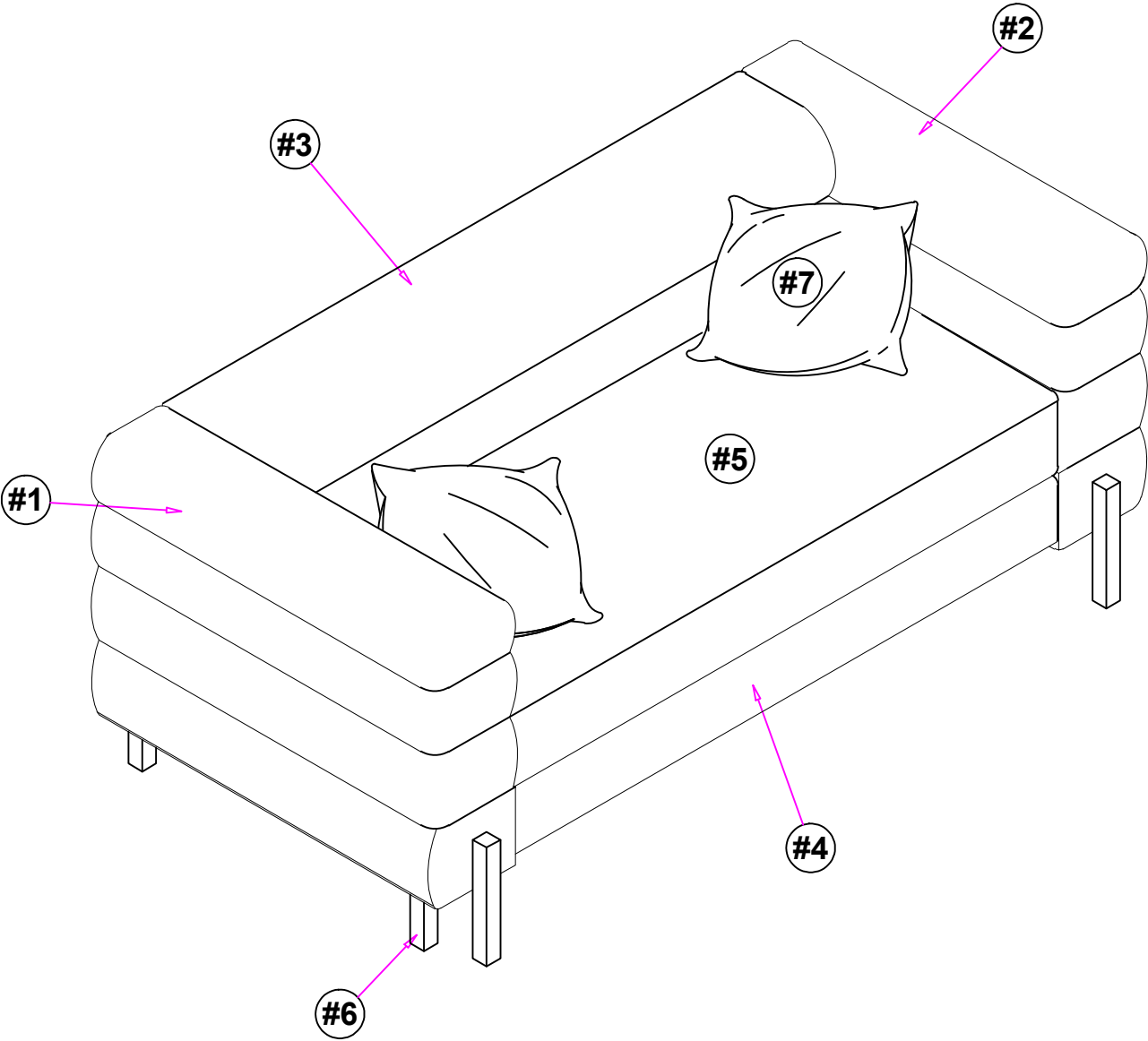
#E 12pcs



Bolt Ø5/16"x1"

Carton	Disignation	Part		Hardware
	Left Arm Rest	#1		
	Right Arm Rest	#2		
	Sofa Back Rest	#3		 #A 14pcs  #B 26pcs  #C 26pcs  #D 1pc  #E 12pcs
	Sofa Seat	#4		
	Seat Cushion	#5		
	Metal Leg (Left/Right)	#6		
	Seat Cushion	#7		
	Center Leg	#8		

Exploded View



ASSEMBLY INSTRUCTIONS

1

Part #3 x1pc

Part #4 x1pc

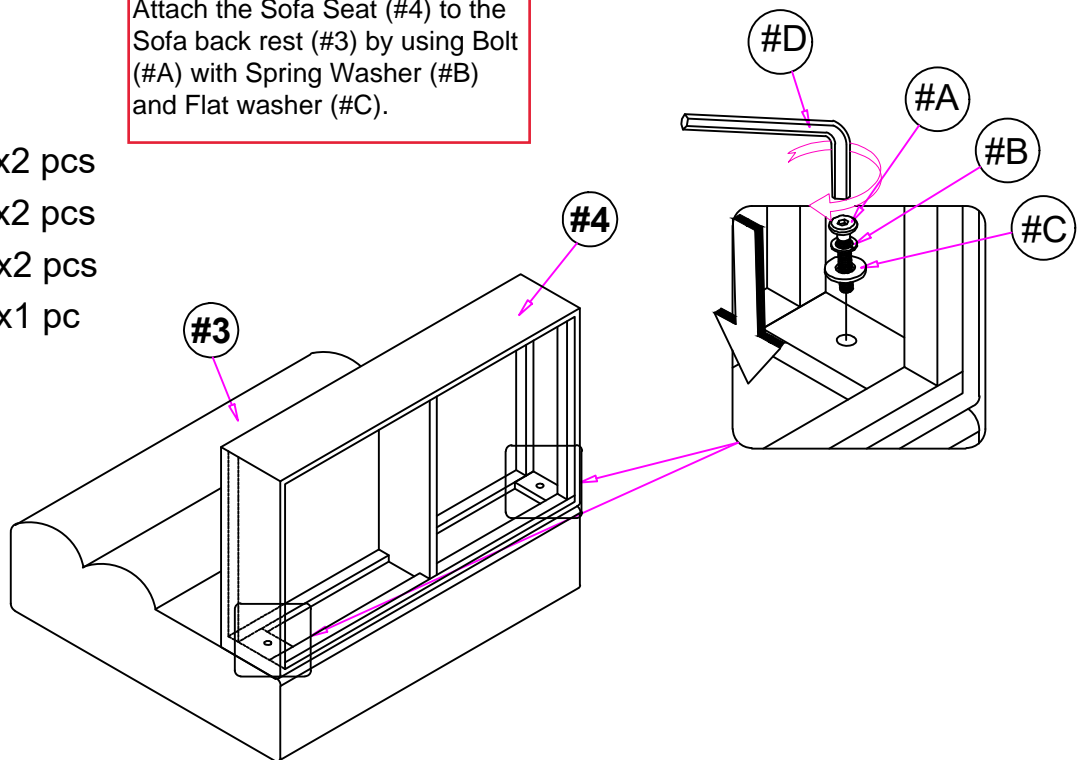
Hardware #A x2 pcs

Hardware #B x2 pcs

Hardware #C x2 pcs

Hardware #D x1 pc

Attach the Sofa Seat (#4) to the Sofa back rest (#3) by using Bolt (#A) with Spring Washer (#B) and Flat washer (#C).



2

Part #1 x1pc

Part #2 x1pc

Part #3 x1pc

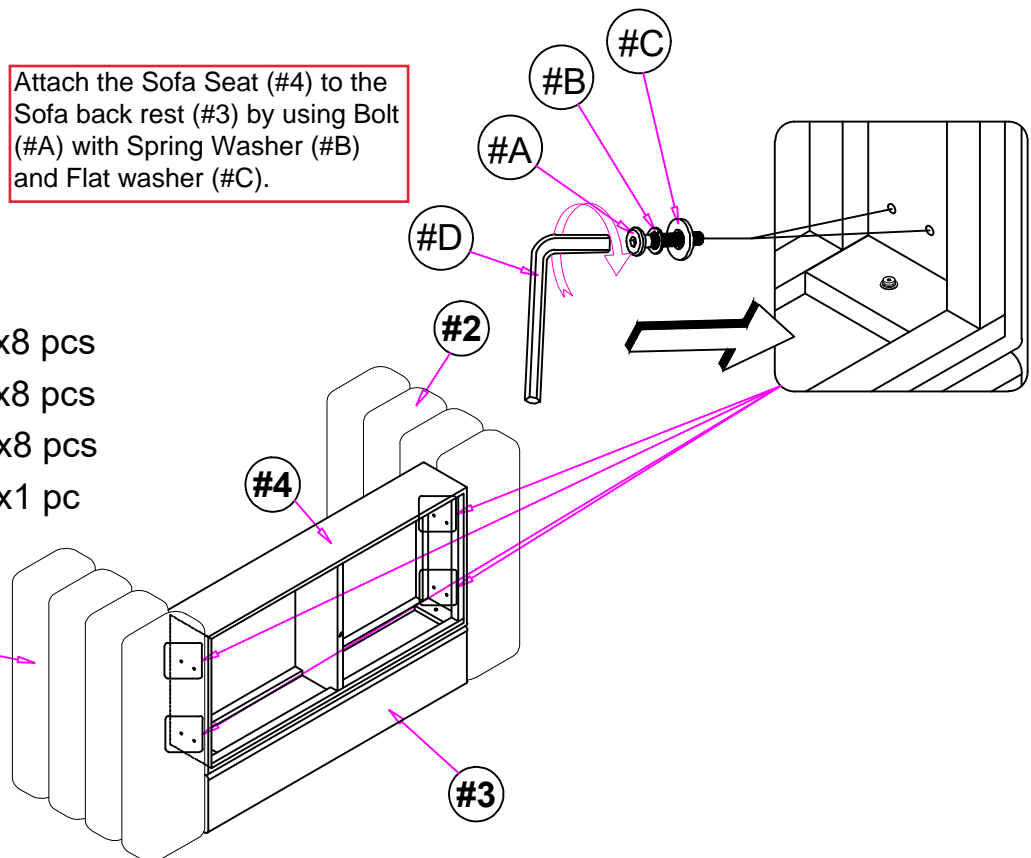
Part #4 x1pc

Hardware #A x8 pcs

Hardware #B x8 pcs

Hardware #C x8 pcs

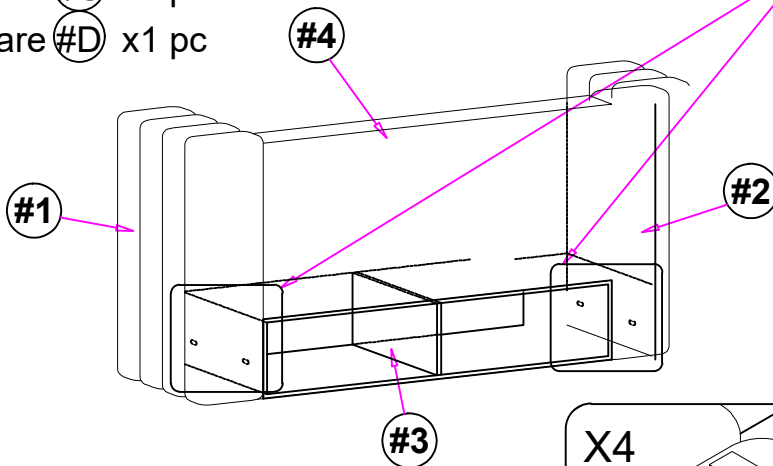
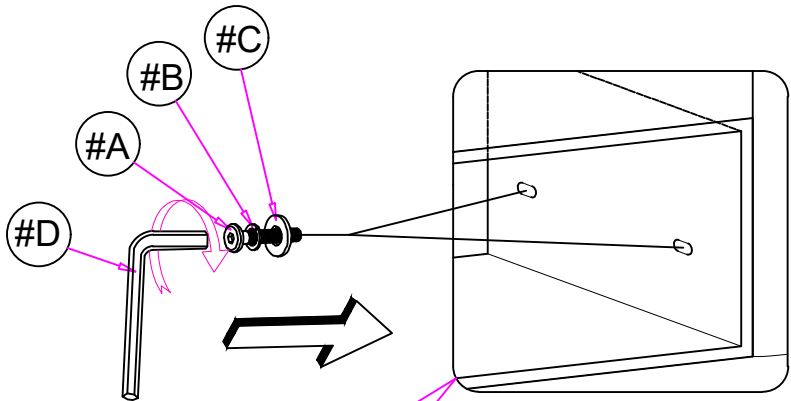
Hardware #D x1 pc



ASSEMBLY INSTRUCTIONS

3

- Part #1 x1pc
- Part #2 x1pc
- Part #3 x1pc
- Part #4 x1pc
- Hardware #A x4 pcs
- Hardware #B x4 pcs
- Hardware #C x4 pcs
- Hardware #D x1 pc

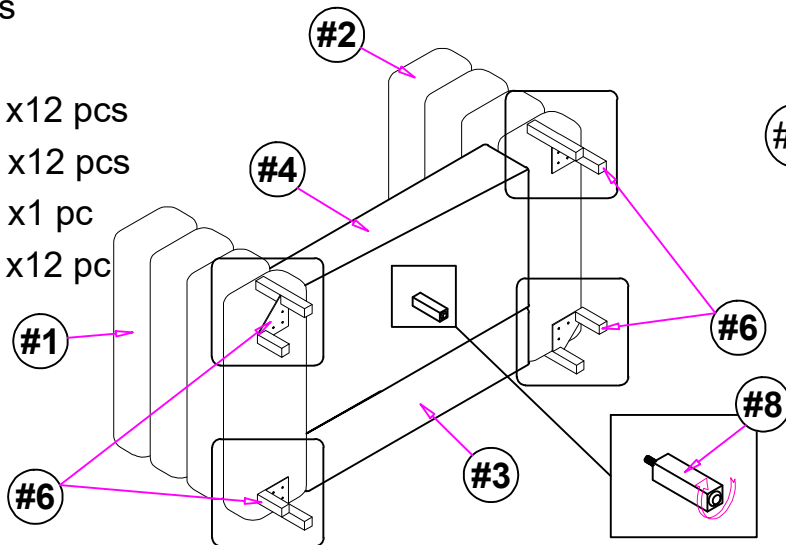
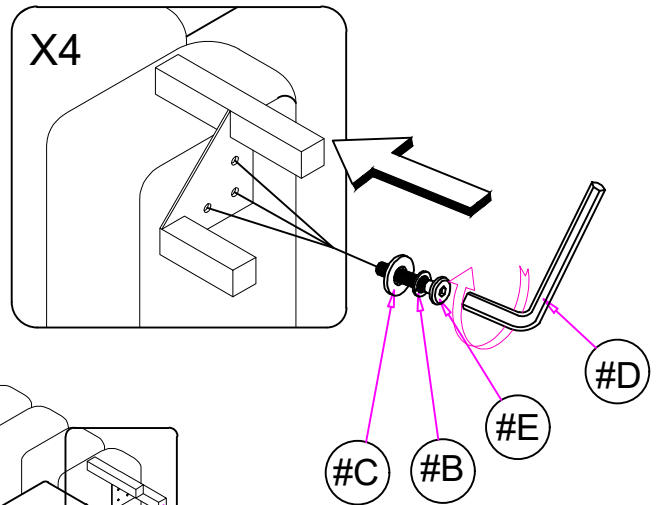


Secure the Left arm rest (#1) and Right arm rest (#2) to the Sofa back rest (#3) with Bolt (#A), Spring washer (#B), and Flat washer (#C).

4

- Part #1 x1pc
- Part #2 x1pc
- Part #3 x1pc
- Part #4 x1pc
- Part #6 x4pcs
- Part #8 x1pc
- Hardware #B x12 pcs
- Hardware #C x12 pcs
- Hardware #D x1 pc
- Hardware #E x12 pc

Attach the metal leg (#6) under the arms (#1,#2) by using Bolt (#E) with Spring washer (#B) and Flat washer (#C). Attach the Center leg (#8) at the bottom center.

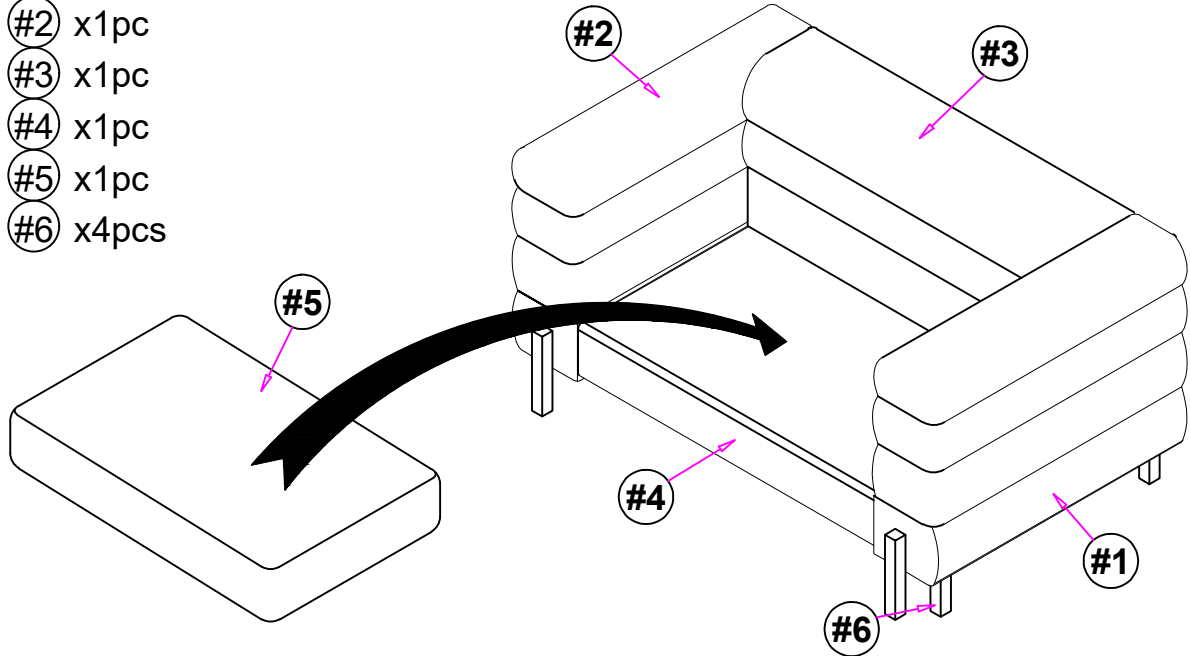


ASSEMBLY INSTRUCTIONS

5

Place Seat cushion (#5) in center.

- Part #1 x1pc
- Part #2 x1pc
- Part #3 x1pc
- Part #4 x1pc
- Part #5 x1pc
- Part #6 x4pcs



6

Place Pillow (#7).

- Part #1 x1pc
- Part #2 x1pc
- Part #3 x1pc
- Part #4 x1pc
- Part #5 x1pc
- Part #6 x4pcs
- Part #7 x2pcs

