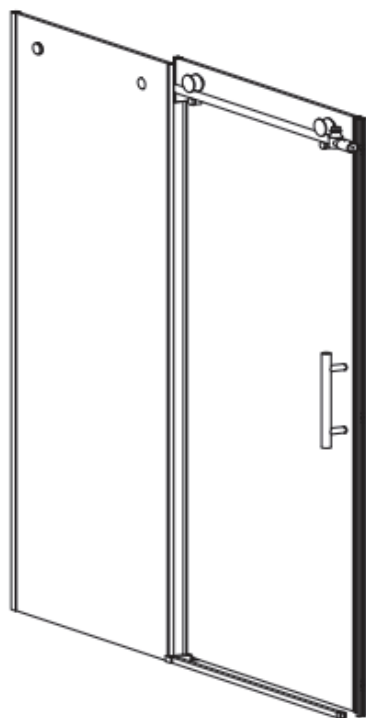


B/X4802C-B/X6002C SHOWER DOOR

If you have any questions about the shower door, please feel free to contact us.



safety glazing
certification council

ANSI Z97.1-2015 AS INDICATED AND
CPSC 16 CFR 1201 STANDARDS

Reversible Installation

Attach Your Receipt Here

Model Number _____ Purchase Date _____

Thank you for purchasing this quality product. Please carefully inspect all packing materials and check the carton for small parts that may have come loose during shipping.

FREQUENTLY ASKED QUESTIONS

1.Can I combine 2 shower screens together?

No. There are rails around each piece of glass and the rails can not be connected.

2.Are handles interchangeable between models?

No. Handles are specific for each shower model.

3.Do the shower sets need to be installed on the floor or a shower base?

All shower sets can be installed on either a tile floor or shower base.

4.For the sliding doors, do both doors slide or is one panel stationary?

Most sliding door sets will have 1 stationary panel and 1 sliding door.

5.Do you make custom shower doors.

No. All shower doors in stock are size specific

6.What can I do if the structural rail or threshold is cut too short?

If this were to happen, you can contact BCANHOME Product Support at SUPPORT@bcanhome.com, one of our knowledgeable reps would be happy to assist you in getting replacement parts. When contacting, please have your original purchase order number and BCANHOME model at the ready.

7.Why do I see a greenish hue in my shower glass?

The slight greenish hue is due to the iron content in the glass. When looking directly at the glass it would appear clear. When looking through the glass at an angle, you may see the hue imore pronounce as the glass is thicker.

8.What anchors are needed to install the shower set?

All BCANHOME shower door set will have all necessary hardware for proper installation.The anchors included in the set are used for installation. We do recommend that studs be behind the tile wall prior to installation of any shower door set.

9.Where can I get replacement parts?

For all parts requests, please contact BCAN Product Support at SUPPORT@bcanhome.com, Our reps would be happy to assist you in getting the needed parts for your BCANHOME product.

10.How are the shower doors adjustable, example 60" set fitsbetween 56"-60"?

BCANHOME shower door sets are designed to fit a range of wall-to-wall widths depending on the shower door size. If the structural rail is longer than the wall-to-wall opening, the rail would need to be cut shorter than the actual wall-to-wall opening so it can be installed properly. The glass panels cannot be cut as the glass is tempered.



Soft Cloth Blanket



Caulk



Tape Measure



Pencil



Screwdriver



Drill Bit (Ø6mm=0.24")



Drill Bit (Ø3.2mm=0.12")



Safety Glasses



Level



Caulk Gun



Drill



Hammer



Miter Saw or Hacksaw

SAFETY INFORMATION

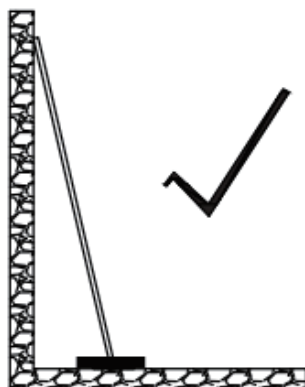
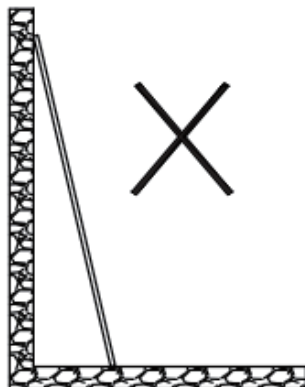
Before You Start

- Read Thoroughly:** Carefully read all instructions and maintenance information. Failure to do so may result in injury or product failure.
- Safety Gear:** Wear eye protection, cut-resistant gloves with a non-slip grip, and closed-toe shoes when cutting, drilling, or handling glass.
- Professional installation:** We strongly recommend installation by a licensed, insured contractor. Two-person assistance is required.
- Inspect Components:** After unpacking, check the Shower Door Components Detail Sheet to ensure all parts are included. Inspect for shipping damage, defects, or missing parts, and contact customer support if needed. Double-check the glass doors for breakage—especially at the corners and edges. Do not install if the glass is damaged.



WARNING

When placing the tempered glass upright, ensure a soft material is underneath and avoid impact to the corners or edges to prevent shattering.





Part list



[A] x 1
Fixed Panel



[B] x 1
Sliding Door Panel



[C] x 1
Seal Strip



[D] x 2
Guide Rail
Bracket



[E] x 2
Pulley stop



[F] x 2
Glass fixture
Anti-jumping



[G] x 2
Knob



[H] x 2
Top Block



[I] x 1
Top Rail



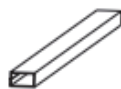
[J] x 1
Buffer airbag
magnetic strip



[K] x 1
Guide Block



[L] x 1
Seal Strip



[N] x 1
Anti-splash Guard



[O] x 1
Track Cover



[P] x 1
Door Seal



[Q] x 1
Buffer Magnetic
Stripe



[R] x 1
Wall Jamb



[S] x 1
Handle Set



[T] x 9
Expansion tube



[U] x 8
M4x60 pan-head
self-tapping screw



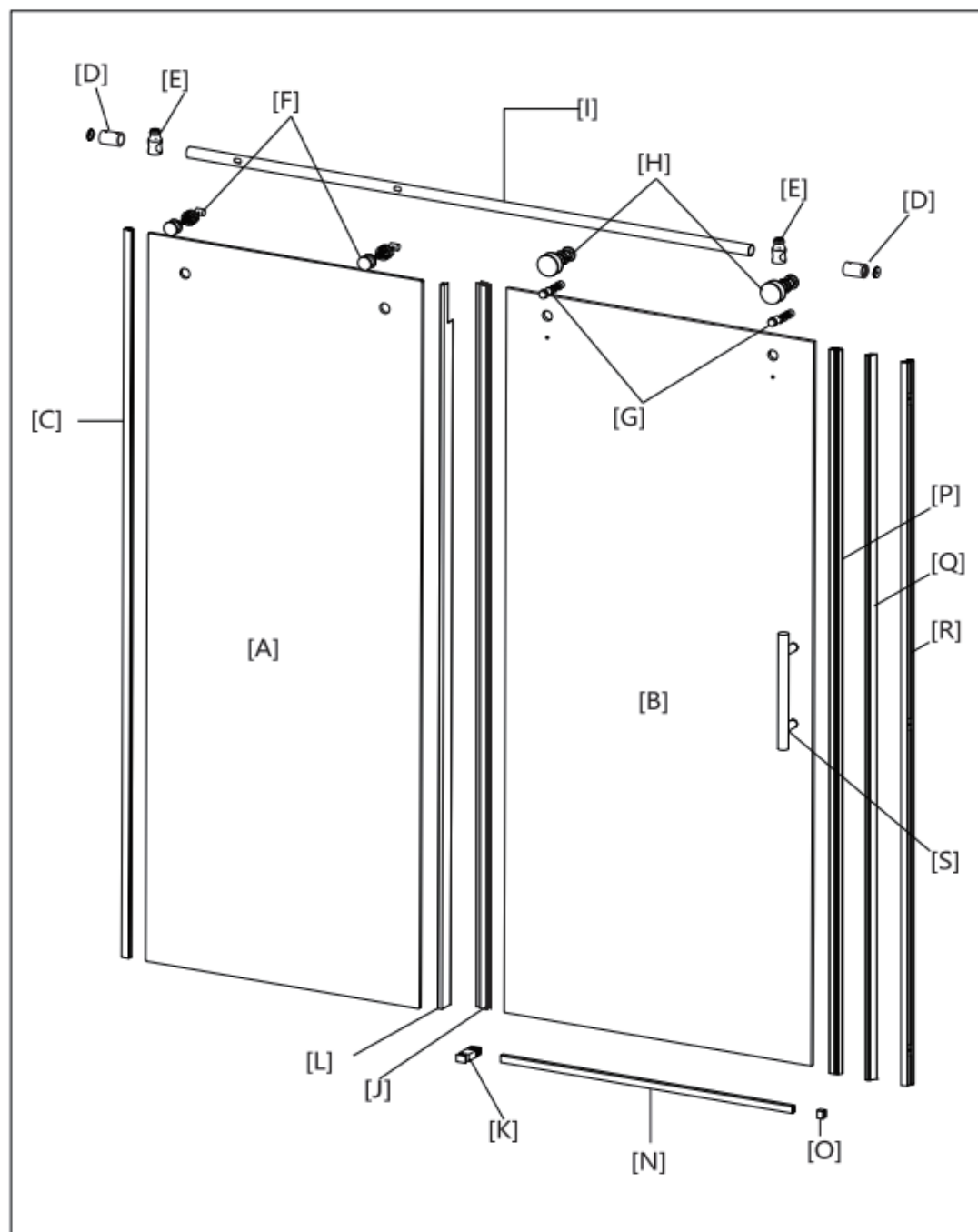
[V] x 1
M5x30 flat-head
self-tapping screw



[W] x 1
Locating film



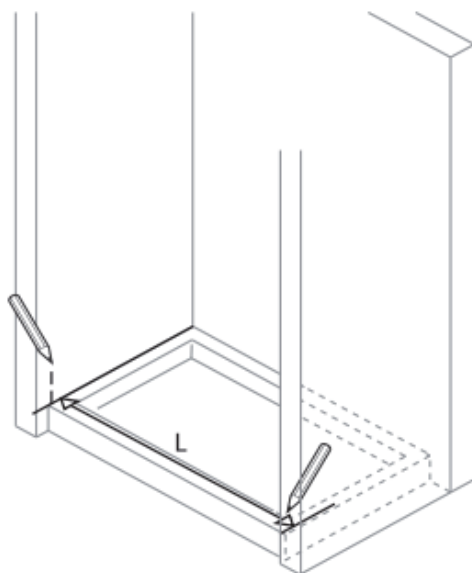
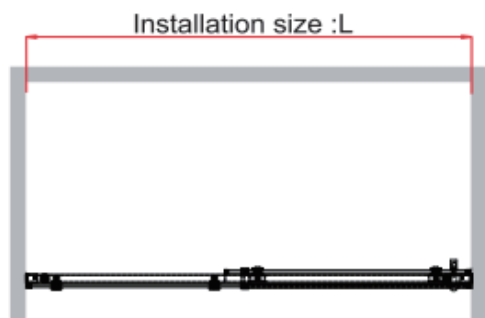
Hex wrench



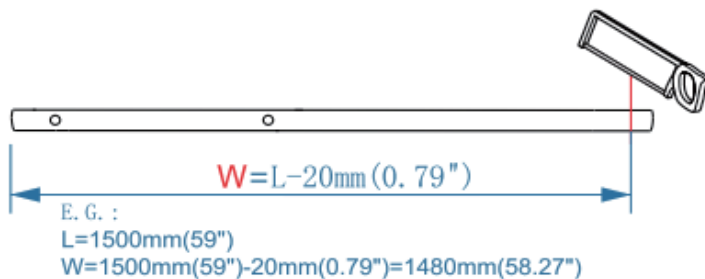
Step 1: Measure and Trim to Fit

NOTE: Designed for a standard 60-inch opening, this shower door can be trimmed by up to 4 inches to fit spaces from 56 to 60 inches wide. If your opening is exactly 60 inches, no trimming needed.

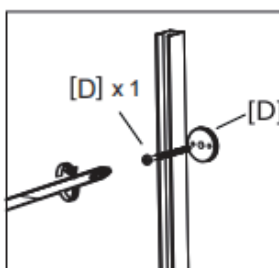
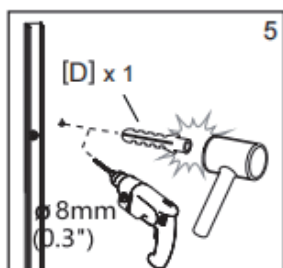
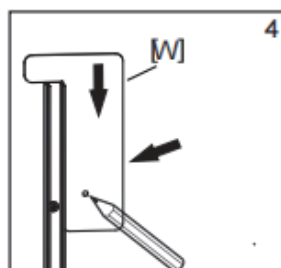
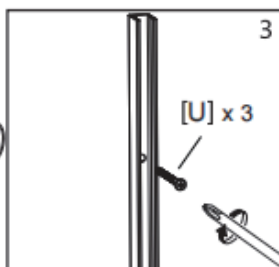
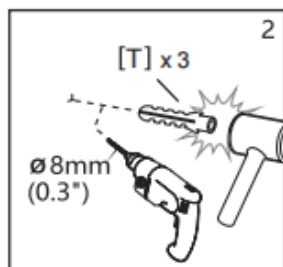
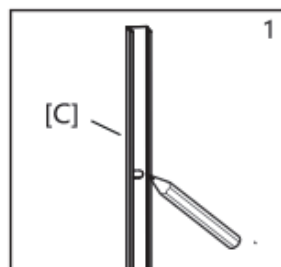
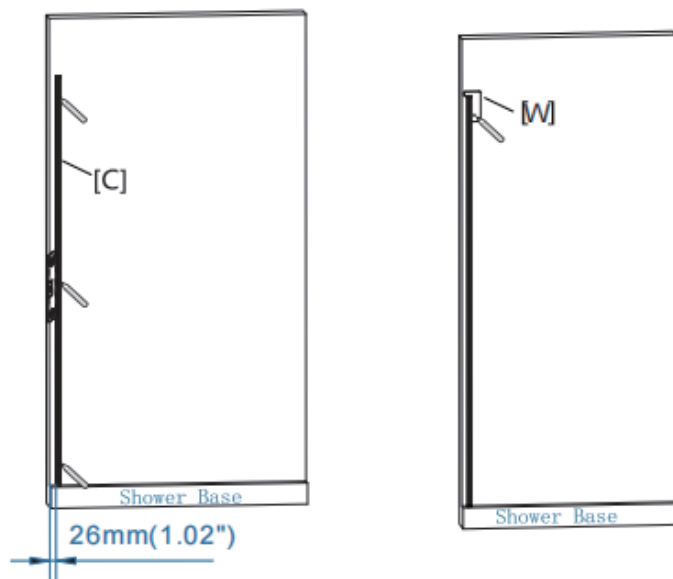
Size (in.)	Min.	Max.
60"	56"	60"
48"	44"	48"



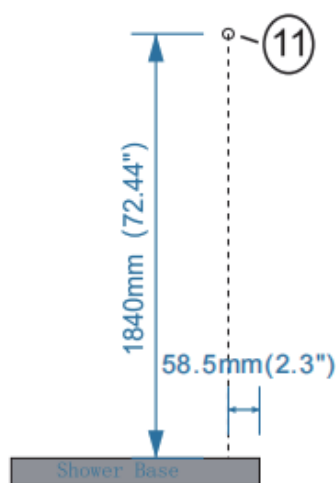
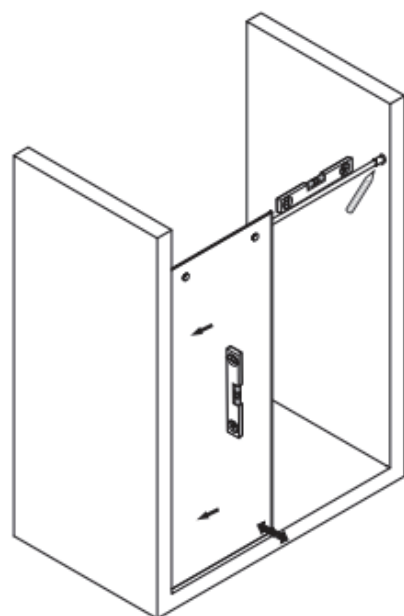
- ①. Measure the width of the shower opening with a tape measure and record it as installation size **L**.
- ②. Cut the **Top Rail [I]** to length **W**: Installation size **L** -20mm(0.79")



Step 2: Wall Hole Marking & Drilling

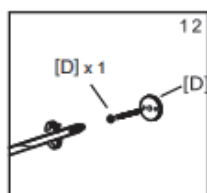
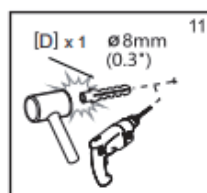
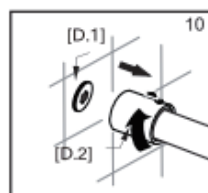
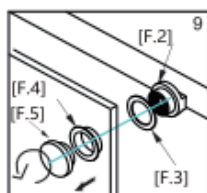
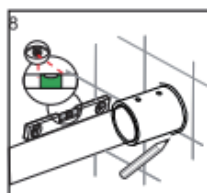
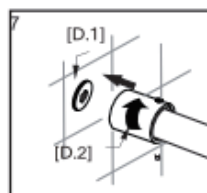
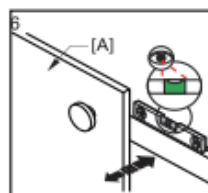
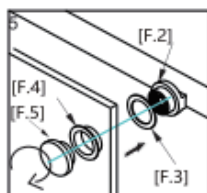
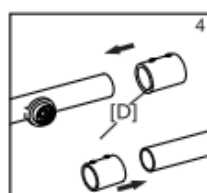
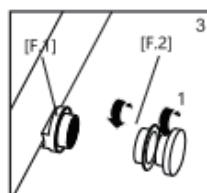
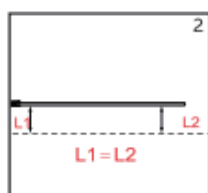
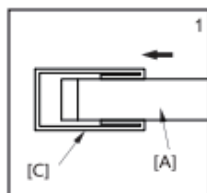


Step 3: Wall Hole Marking & Drilling

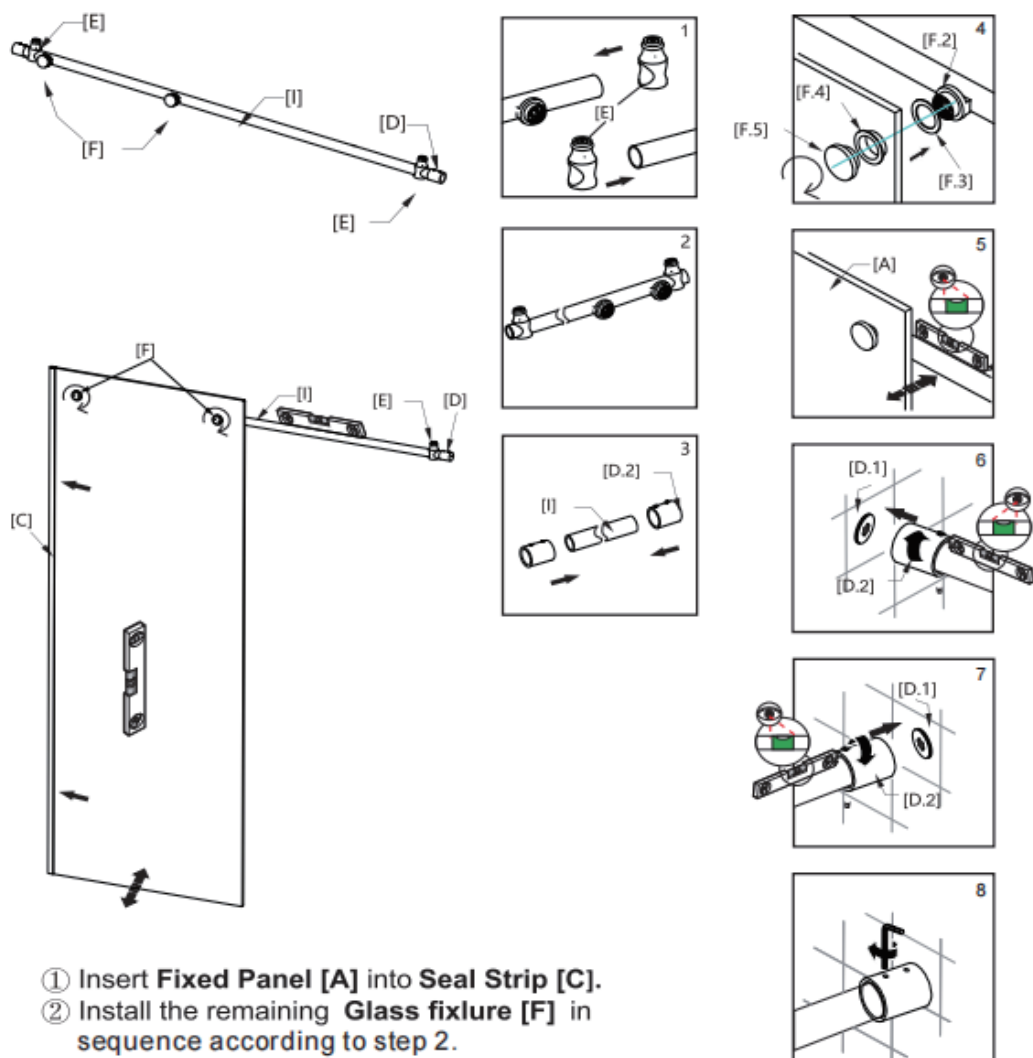


12

13

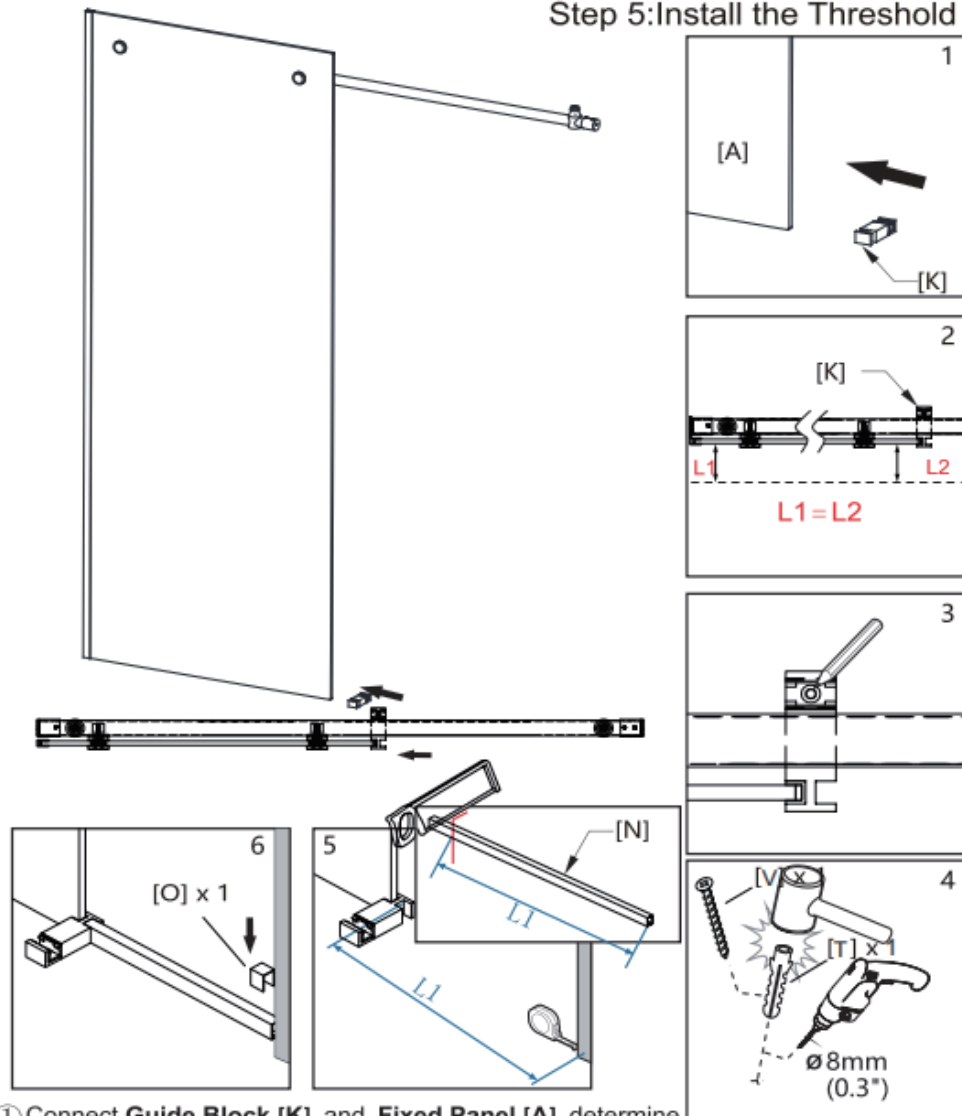


Step 4: Install the Fixed Glass Panel



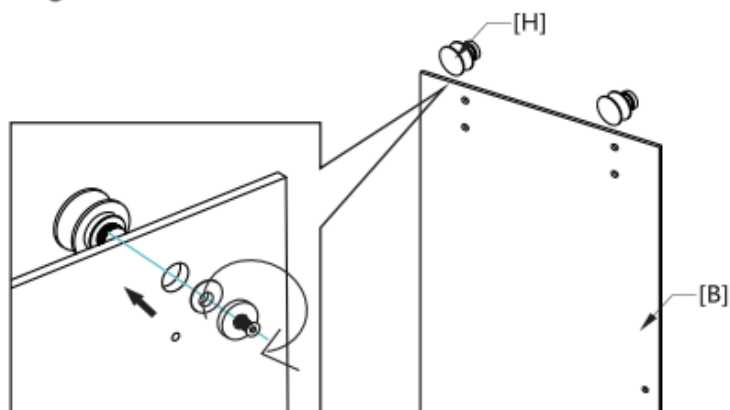
- ① Insert **Fixed Panel [A]** into **Seal Strip [C]**.
- ② Install the remaining **Glass fixure [F]** in sequence according to step 2.
- ③ Adjust **Fixed Panel [A]** until the level bubble is centered, ensuring the glass is perfectly perpendicular to the ground.

Step 5: Install the Threshold

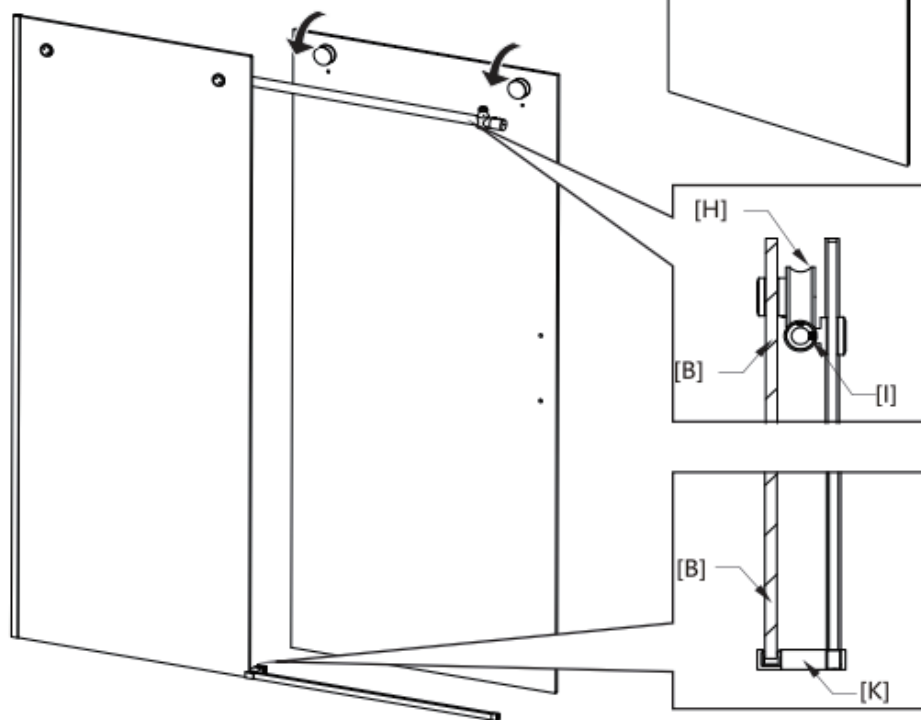


- ① Connect **Guide Block [K]** and **Fixed Panel [A]**, determine the position, and ensure that dimension $L1$ and dimension $L2$ are equal.
- ② Record the position with a pen at the opening.
- ③ Take away **Guide Block [K]**, drill holes with a drill with a diameter of 8mm, and fix them with an expansion screw tube.
- ④ Measure **Guide Block [K]** to the wall ($L1$). Cut **Anti-splash Guard [N]** to length $L1$ if needed.
- ⑤ Apply silicone sealant to the bottom of **Anti-splash Guard [N]** and place it next to the **Guide Block [K]**. Apply silicone sealant to the bottom of **Track Cover [O]** and place it next to the **Anti-splash Guard [N]**.

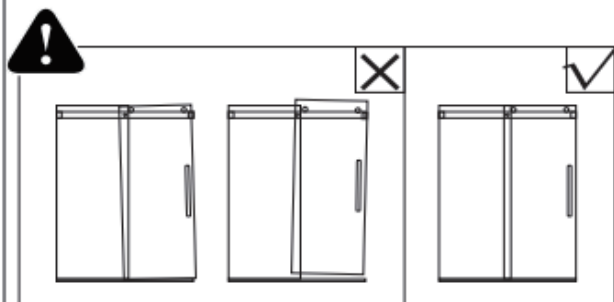
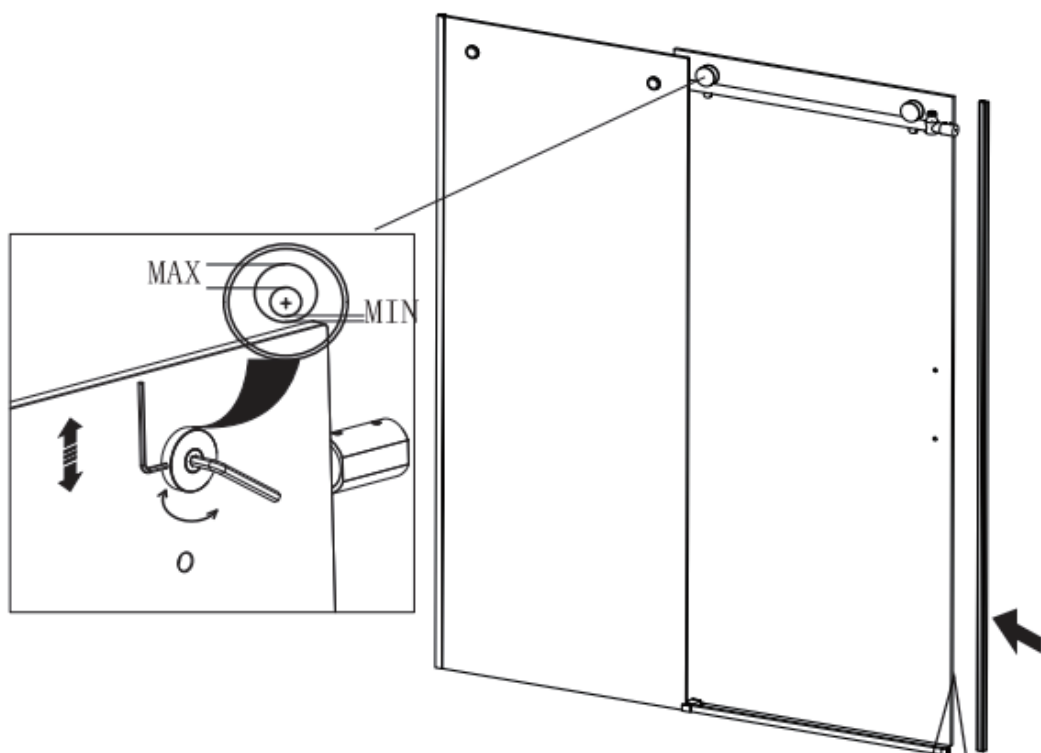
Step 6: Install the Sliding Glass Panel



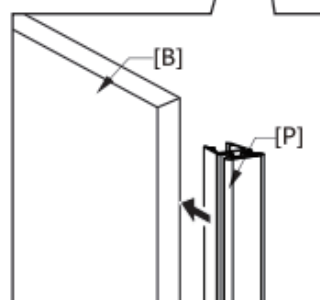
Install the **Rollers [H]** on the **Sliding Door Panel [B]** according to your installation direction, and then hang the door panel on the **Top Rail [I]**.



Step 7: Adjusting Glass fixture & Door Seal

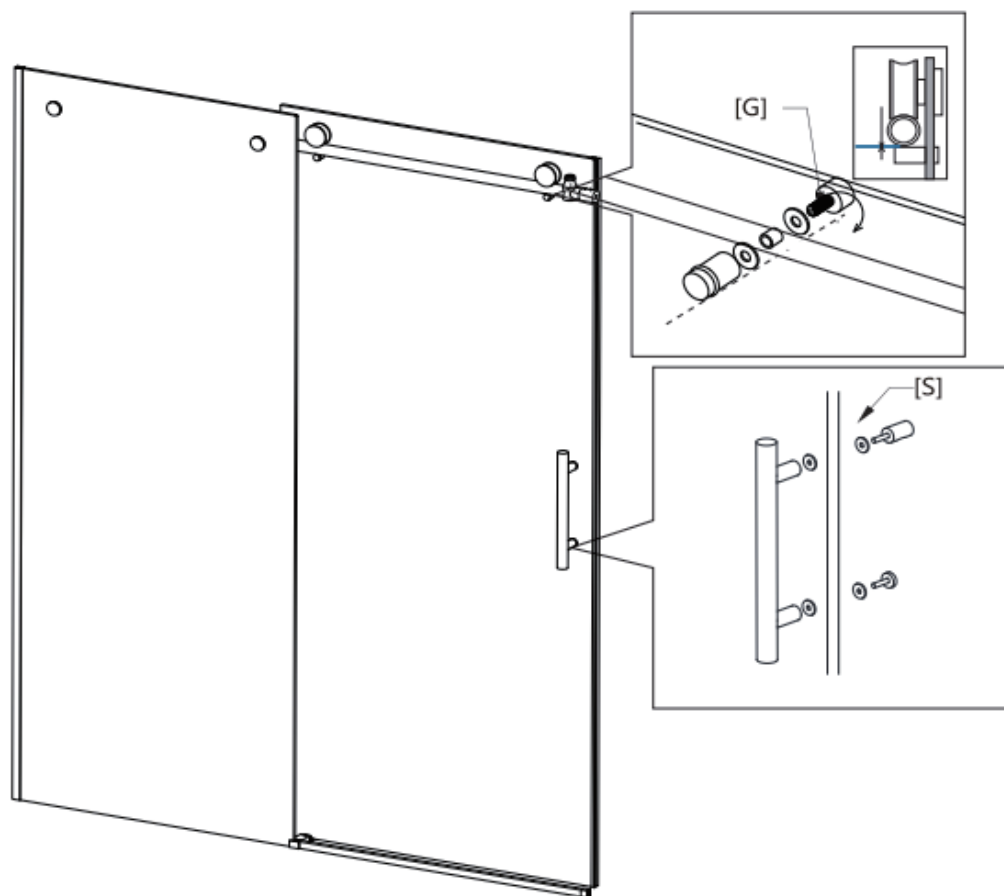


Note: Adjust the eccentric pieces of the **Rollers [H]** to correct the vertical angle of the door glass, ensuring the **Door Seal [P]** is parallel to the wall.



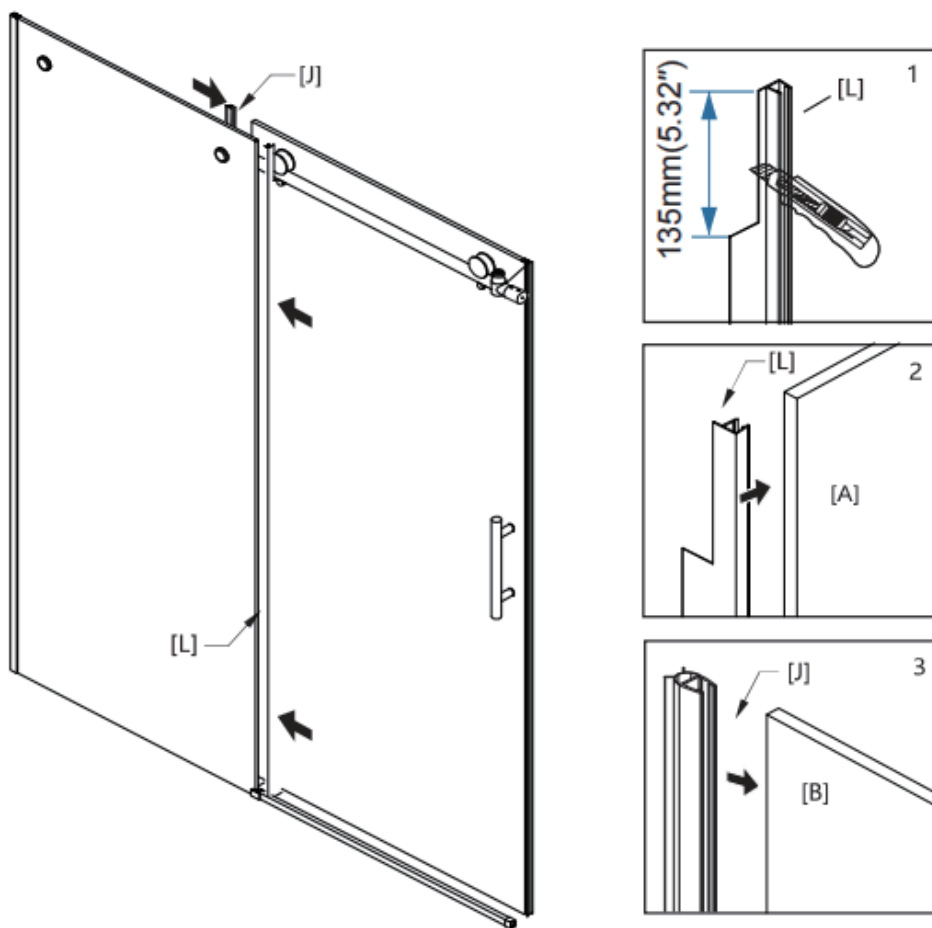
Install the **Door Seal [P]** on the side of **Sliding Door Panel [B]** facing the wall.

Step 8: Adjusting Knob & Handle Set



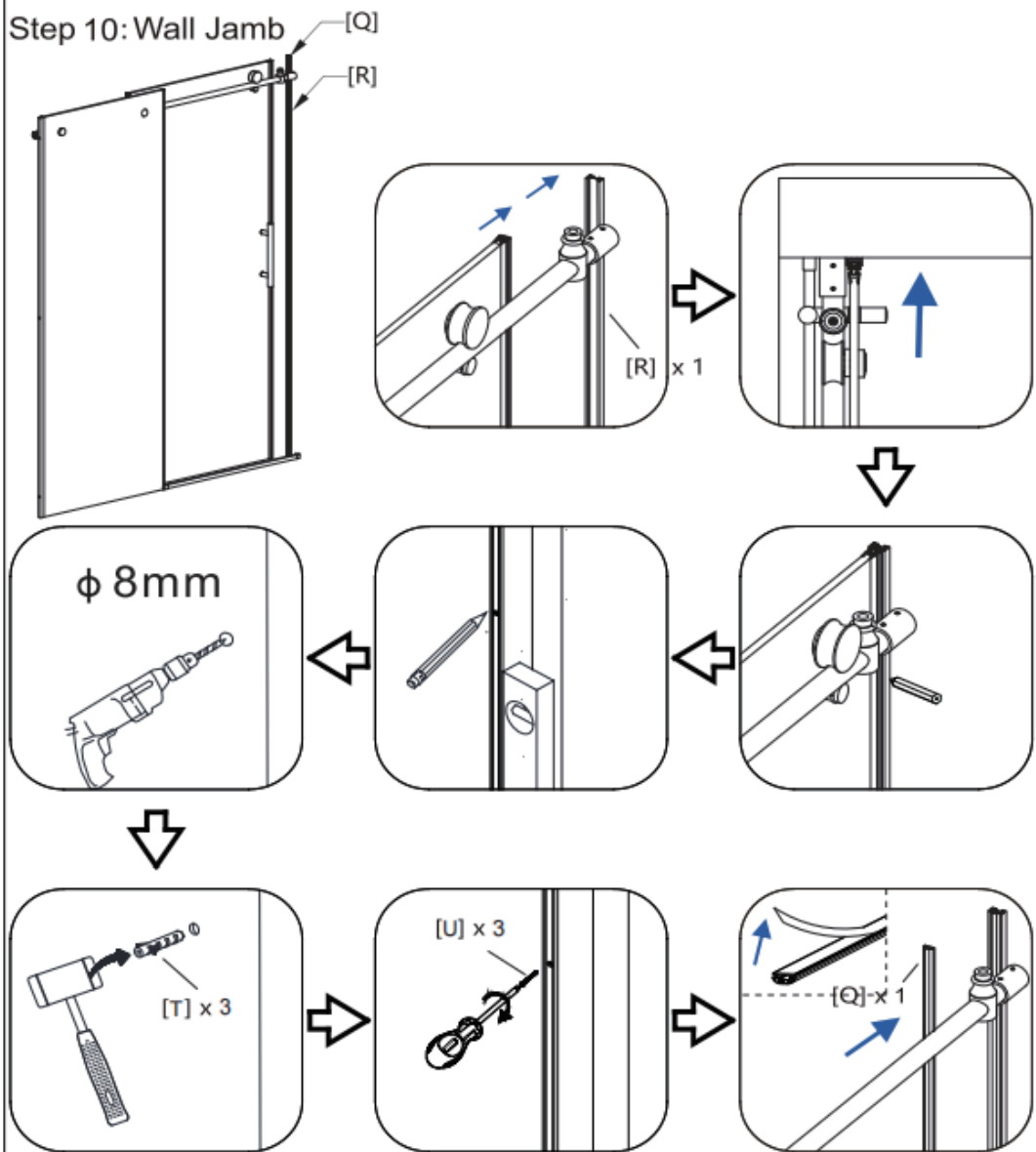
Anjust the eccentric pieces of the **Anti-jumping Knobs [G]** to make **Anti-jumping Knobs [G]** get stuck the Rollers.
Mount the **Handle [S]** on the **Sliding Door Panel [B]**, and lock it with a hexagon wrench.

Step 9: Adjusting Seal Strip



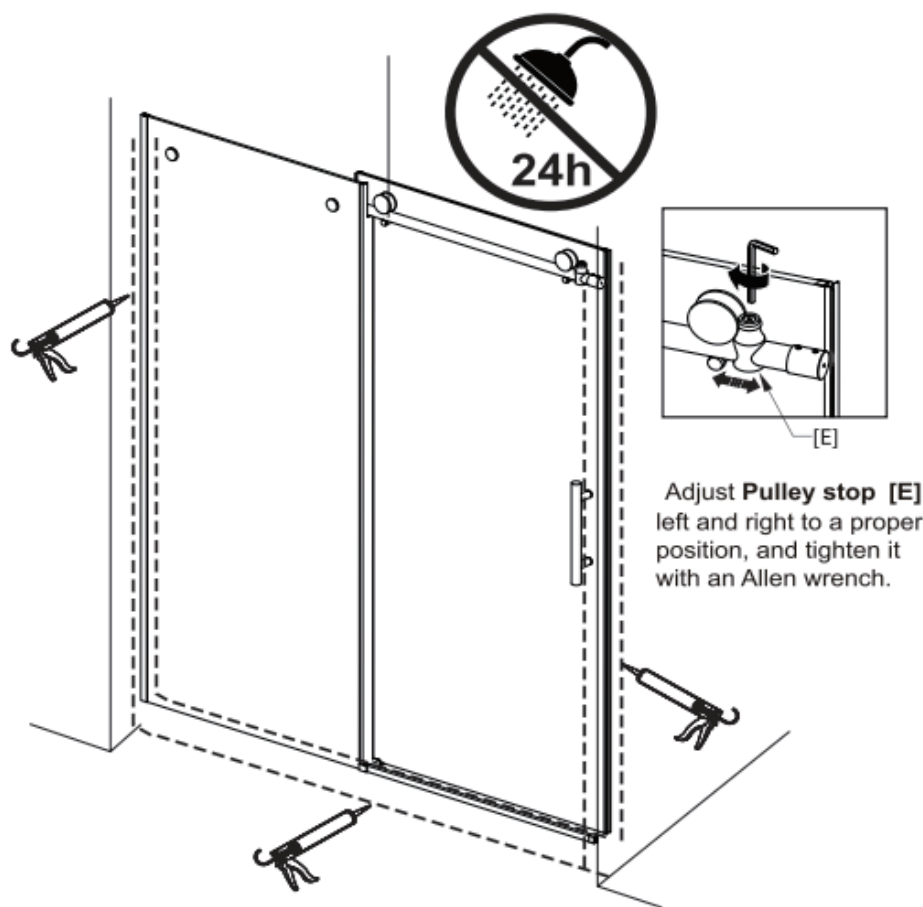
- ① Trim the flapper on **Seal Strip [L]** where it interferes with the upper guide rail, as shown in the image.
- ② Install **Seal Strip [L]** on **Sliding Door Fixed Panel [A]**.
Install **Buffer Airbag Magnetic Strip [J]** on **Sliding Door Panel [B]**.

Step 10: Wall Jamb



- ① Use the door panel to press the **Bufferr magnetic strip [Q]** and the **Wall Jamb [R]** against the wall. Mark the positions with a pen.
- ② Then install the **Bufferr magnetic strip [Q]** and the **Wall Jamb [R]**.

Step 11 : Door Seal



Apply silicone sealant to the seams between the fixed glass and the shower base/floor, and between the wall and the glass (as indicated by the dotted line).

MUST ALLOW SILICONE TO DRY FOR 24 HOURS BEFORE USING THE SHOWER DOOR

Warranty Exclusions

This Limited Warranty does not cover:

- 1) Hardware finish variations due to plating and finishing processes. Exact finish matching is not guaranteed.
- 2) Safety film and surface coatings that may naturally age, wear, or fade over time.
- 3) Cosmetic imperfections of safety film that do not affect product functionality.
- 4) Scratches, chips, water spots, breakage, or other damage to glass panels occurring after installation.

Additional Limitations

This warranty does not apply to damage caused by improper installation, misuse, abuse, negligence, accidents, impact damage, or improper maintenance, including the use of abrasive or non-recommended cleaners.

Disclaimer

This Limited Warranty is the exclusive warranty provided by BCANHOME. No other express or implied warranties, including warranties of merchantability or fitness for a particular purpose, are provided except as required by law. BCANHOME shall not be liable for incidental or consequential damages. Some jurisdictions do not allow limitations on implied warranties or exclusions of incidental or consequential damages, so these limitations may not apply to you."

SHOWER DOORS / BATHTUB SHOWER DOORS LIMITED WARRANTY

Warranty Overview

BCANHOME provides the following Limited Warranty for its shower door and bathtub shower door products, applicable only to the original purchaser/end user for personal residential use. BCANHOME reserves the right to modify or update this Limited Warranty at any time. Any such modifications will not affect the warranty terms applicable to products purchased prior to the effective date of the change.

Installation Requirements

BCANHOME strongly recommends that all shower door products be installed by a fully licensed and insured professional installer with experience in bathroom, shower, and bathtub door installations. Improper installation or installation by an inexperienced installer may result in glass breakage, which could cause serious personal injury or death. Installation must strictly follow the provided installation manual without modification. Any deviation from the installation instructions will void this Limited Warranty.

Warranty Coverage

Under normal residential use, BCANHOME warrants the following:

- Seal strips, bumper strips, and hardware components – One (1) year limited warranty from the date of purchase.
- Glass components – One (1) year limited warranty from the date of purchase.

Make sure all the accessories are together before installing. If there are missing parts or damaged parts, please contact customer service.

Email Address: SUPPORT@bcanhome.com



Scan the QR code to watch the installation video.



Scan the QR code to add our customer service on WhatsApp.