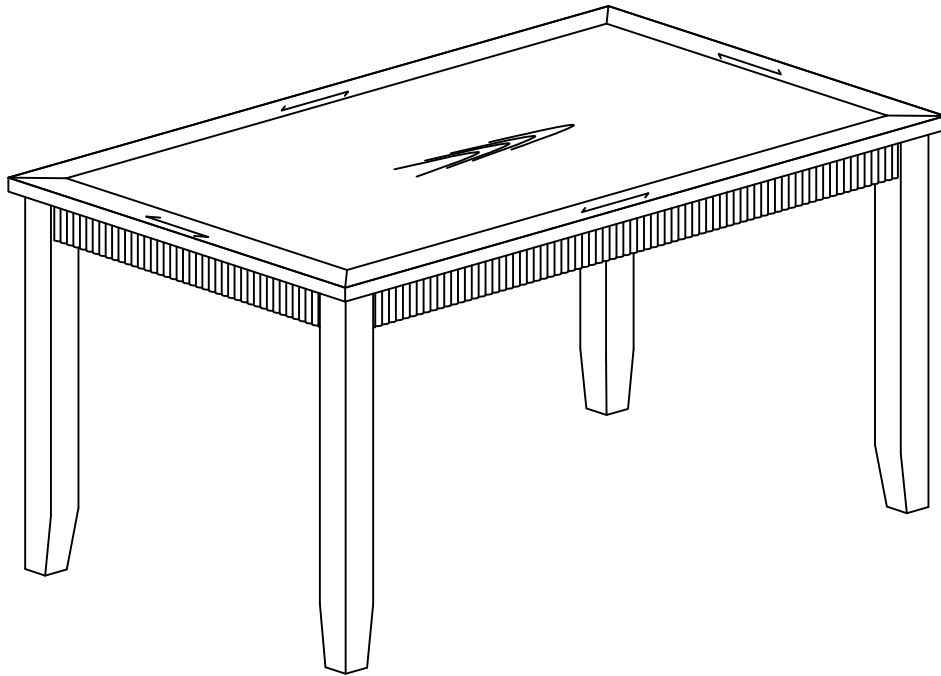


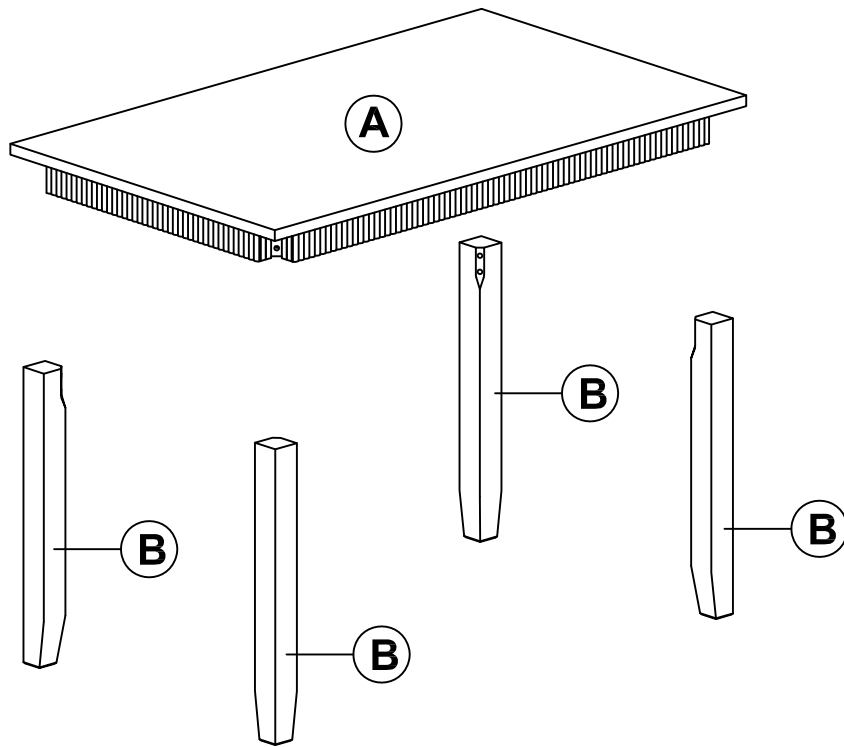
ASSEMBLY INSTRUCTIONS

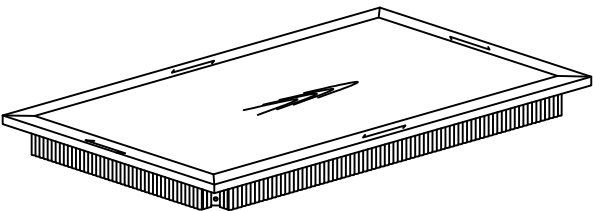


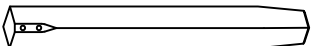


ITEM NO. WF309845 - DINING TABLE



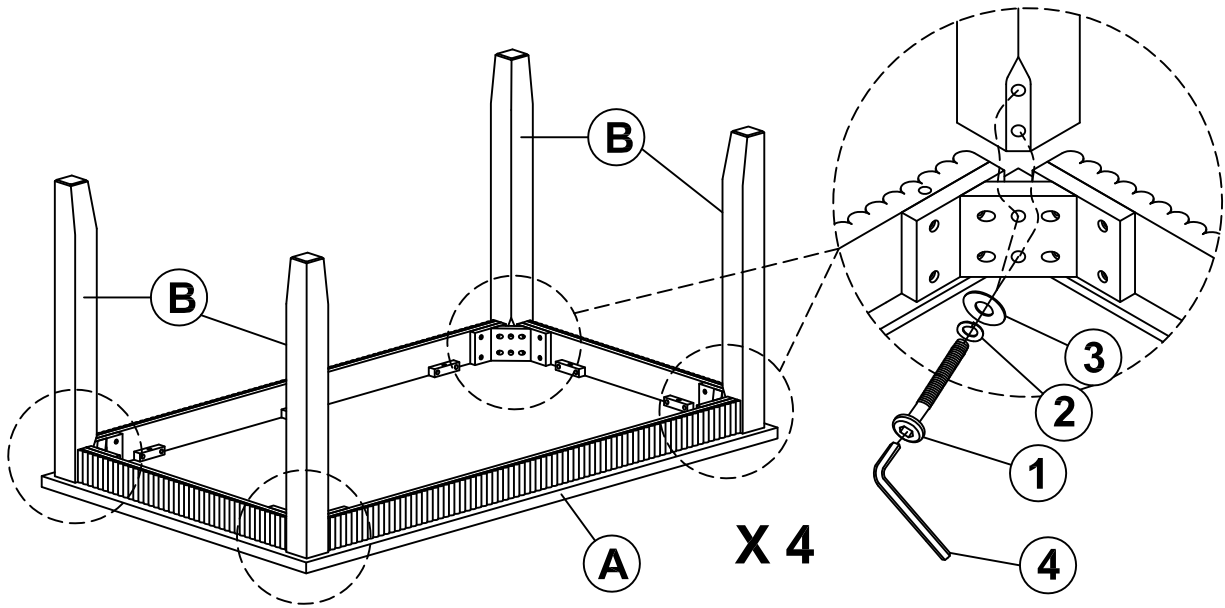
IMPORTANT NOTE:

- ① PLACE ALL PARTS ON A CLEAN AND SMOOTH SURFACE SUCH AS A RUG OR CARPET TO AVOID THE PARTS FROM BEING SCRATCHED.
- ② BEFORE YOU BEGIN, KINDLY FOLLOW THE ASSEMBLY INSTRUCTIONS STEP BY STEP.
- ③ DO NOT TIGHTEN ALL SCREWS AND BOLTS UNTIL THE TABLE IS FULLY SET-UP.

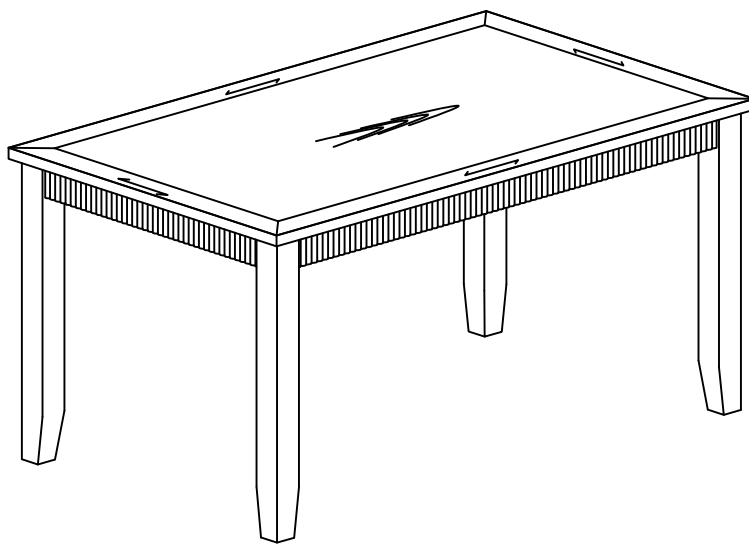


Part List For	Hardware List
<p>(A)</p>  <p>TABLE TOP (1pc)</p>	<p>(1)</p>  <p>Ø5/16"x 70mm</p> <p>BOLT (8pcs)</p> <p>(2)</p>  <p>Ø5/16"x 12mm</p> <p>LOCK WASHER (8pcs)</p>
<p>(B)</p>  <p>TABLE LEG (4pcs)</p>	<p>(3)</p>  <p>Ø5/16"x 19mm</p> <p>FLAT WASHER (8pcs)</p> <p>(4)</p>  <p>4mm</p> <p>ALLEN KEY (1pc)</p>

STEP 1:

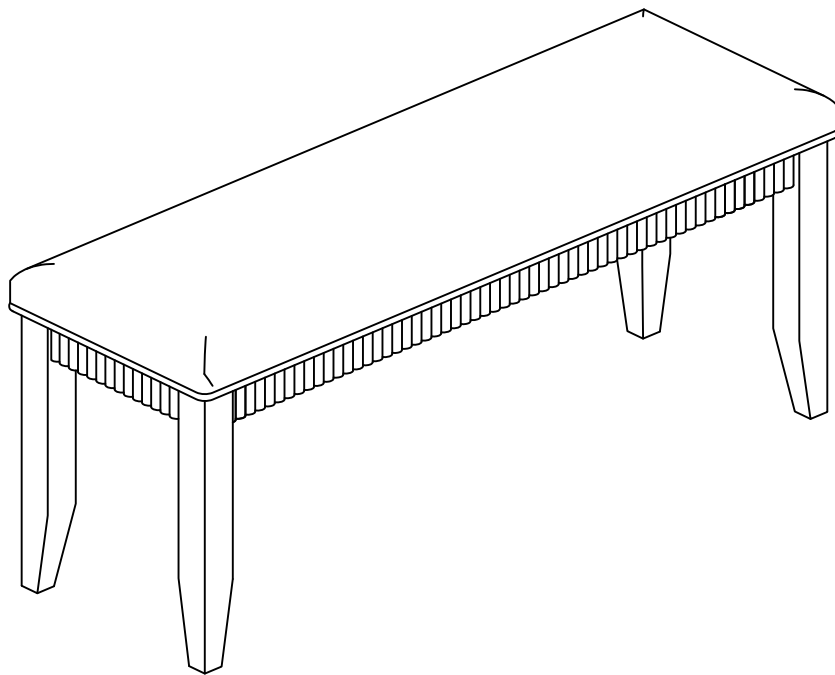


STEP 2:



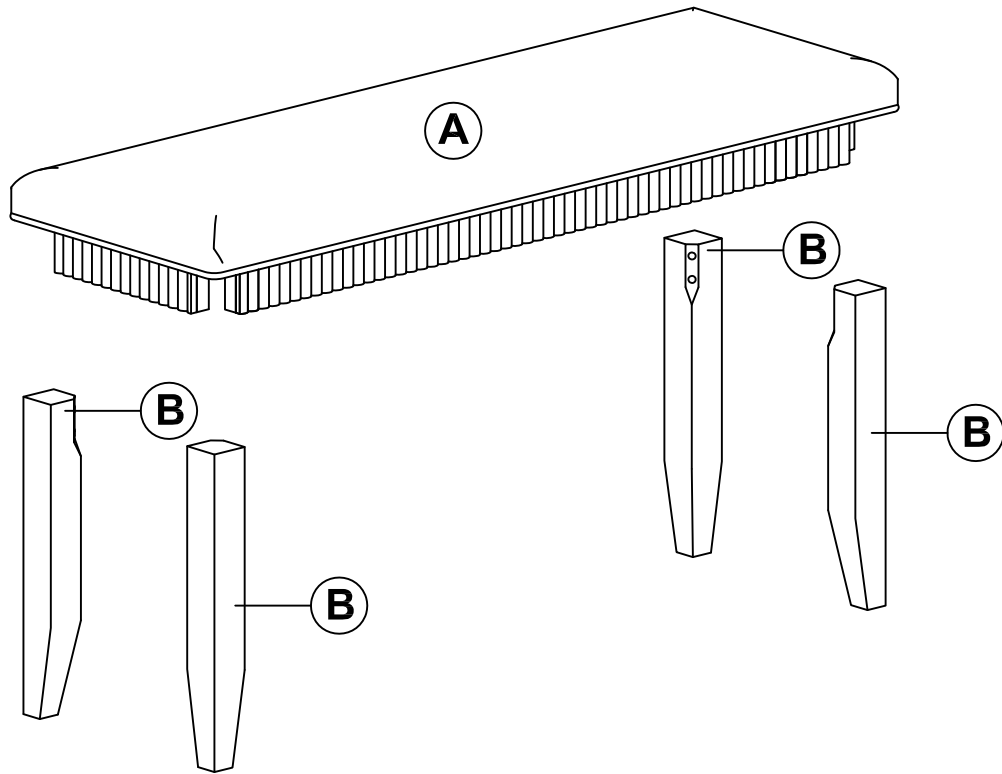
ASSEMBLY INSTRUCTIONS

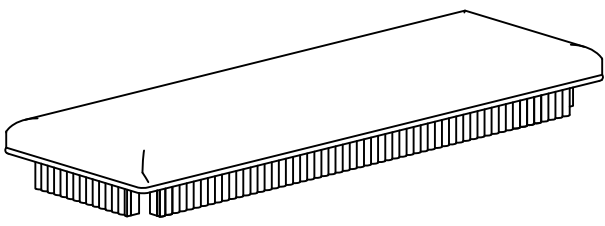

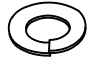
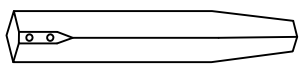


ITEM NO. WF309845 - BENCH



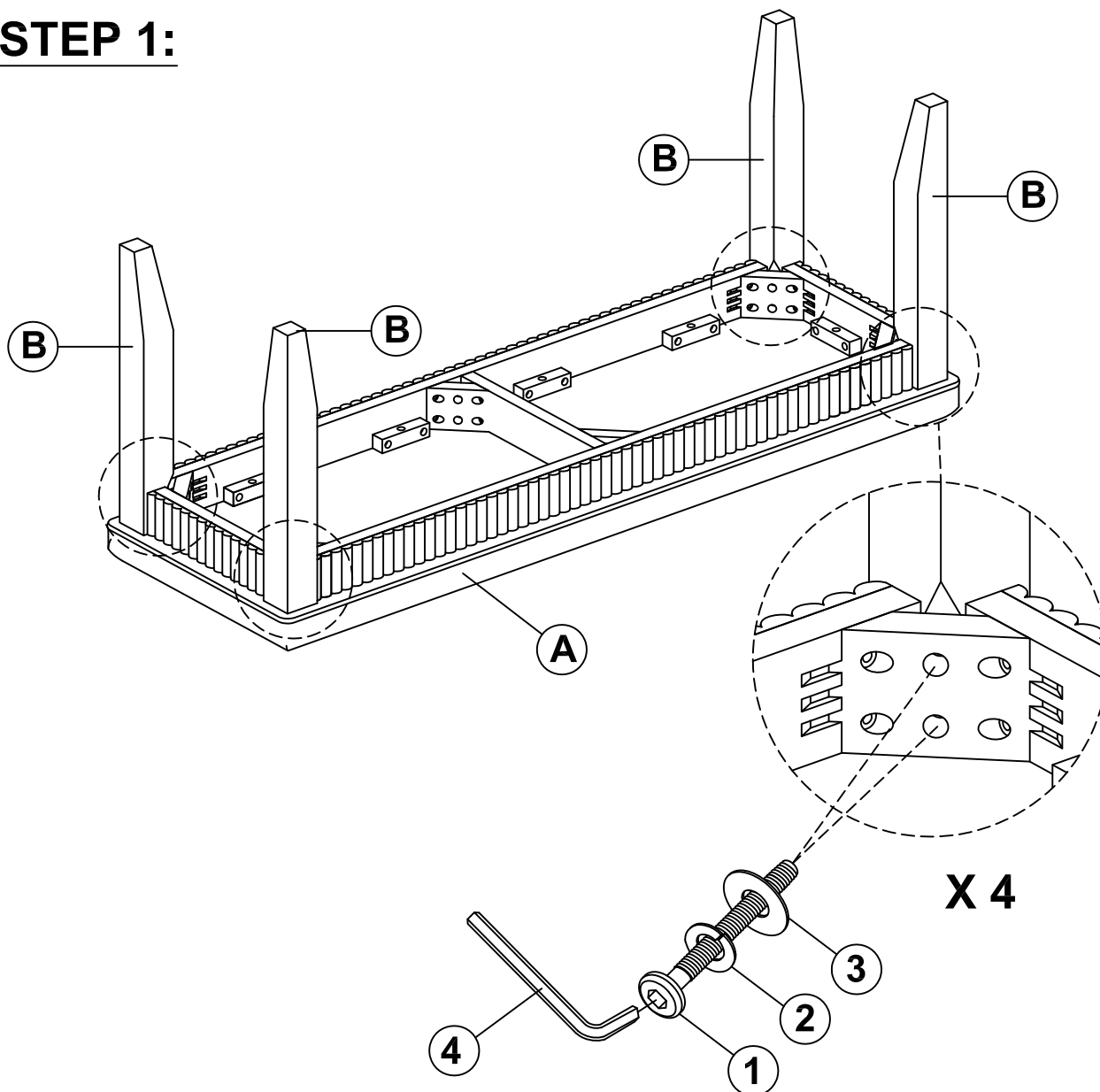
IMPORTANT NOTE:

- ① PLACE ALL PARTS ON A CLEAN AND SMOOTH SURFACE SUCH AS A RUG OR CARPET TO AVOID THE PARTS FROM BEING SCRATCHED.
- ② BEFORE YOU BEGIN, KINDLY FOLLOW THE ASSEMBLY INSTRUCTIONS STEP BY STEP.
- ③ DO NOT TIGHTEN ALL SCREWS AND BOLTS UNTIL THE BENCH IS FULLY SET-UP.

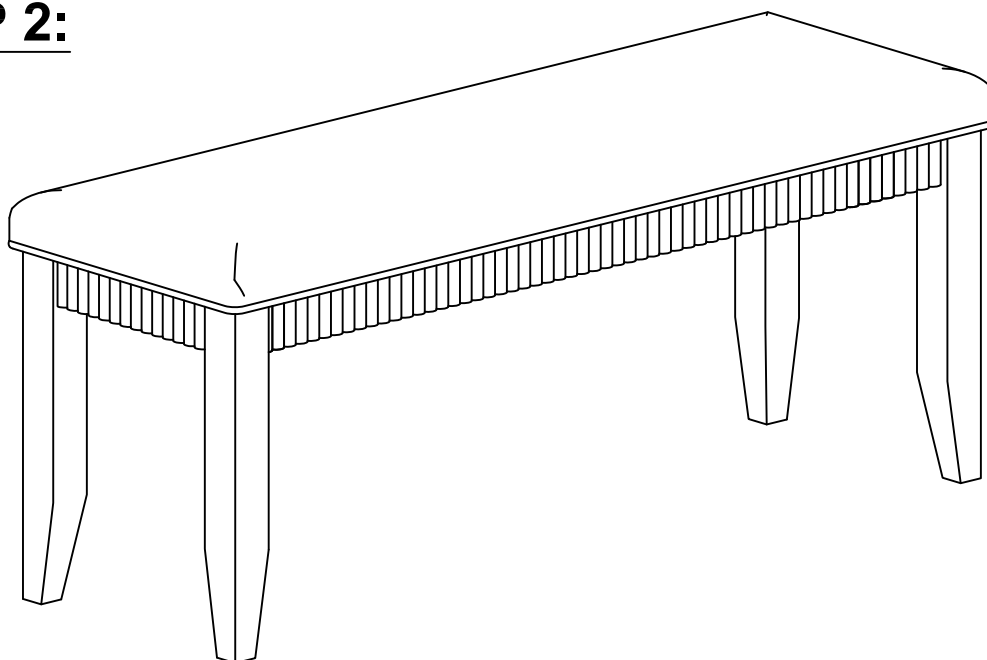


Part List For	Hardware List
<p>(A)</p>  <p>CUSHION SEAT (1pc)</p>	<p>(1)</p>  <p>Ø1/4"x 60mm</p> <p>BOLT (8pcs)</p> <p>(2)</p>  <p>Ø1/4"x 11mm</p> <p>LOCK WASHER (8pcs)</p>
<p>(B)</p>  <p>LEG (4pcs)</p>	<p>(3)</p>  <p>Ø1/4"x 19mm</p> <p>FLAT WASHER (8pcs)</p> <p>(4)</p>  <p>4mm</p> <p>ALLEN KEY (1pc)</p>

STEP 1:

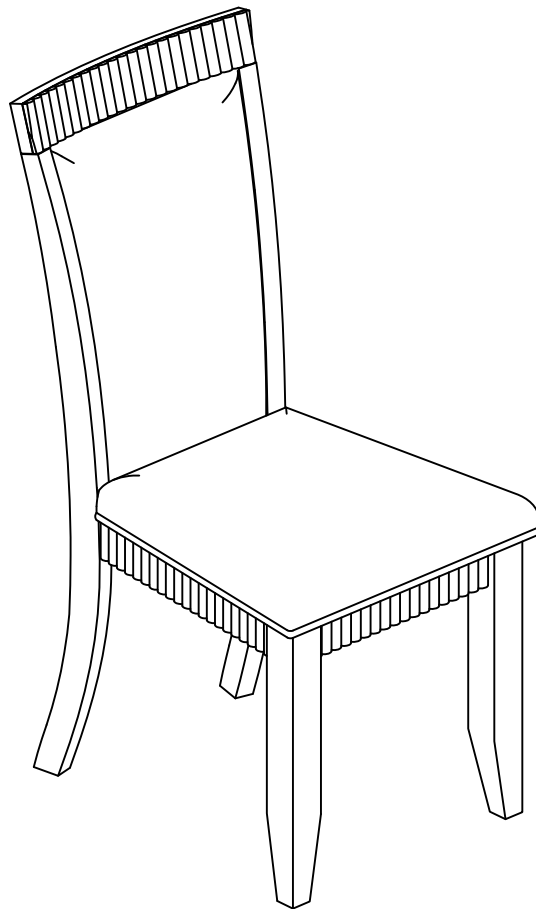


STEP 2:



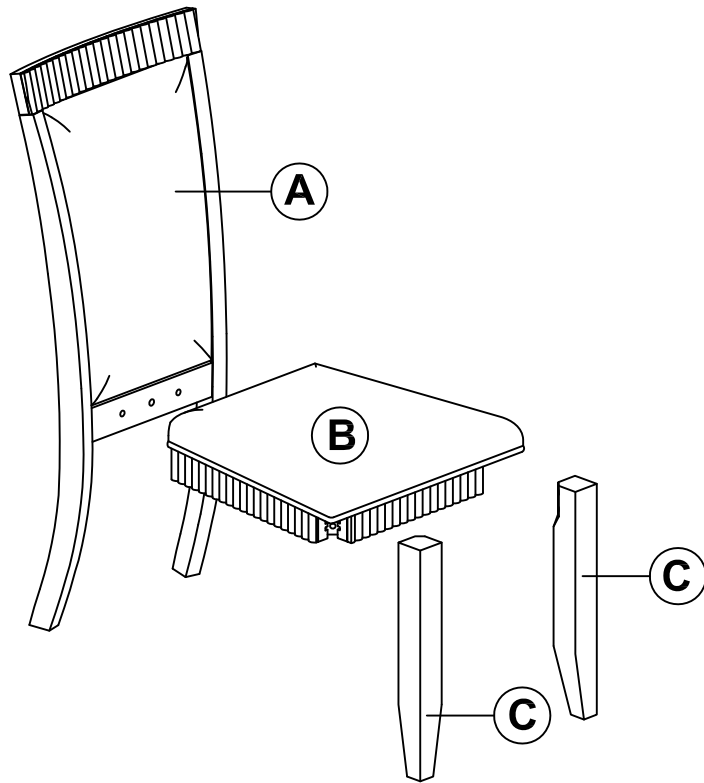
ASSEMBLY INSTRUCTIONS

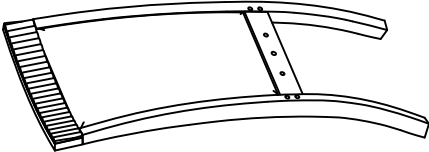

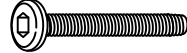
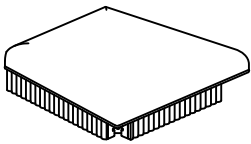
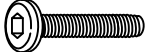



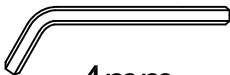
ITEM NO. WF309846 - DINING CHAIR



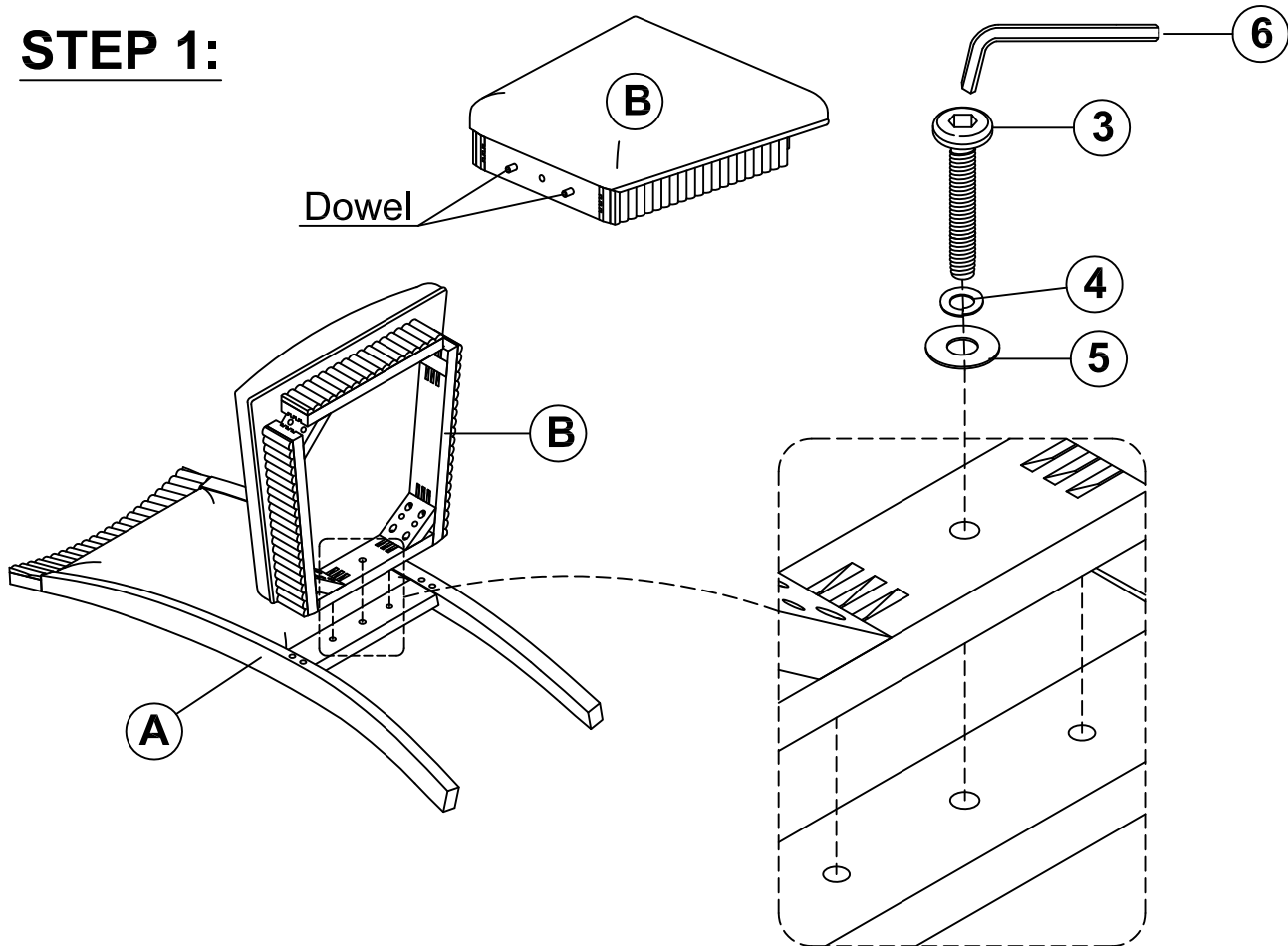
IMPORTANT NOTE:

- ① PLACE ALL PARTS ON A CLEAN AND SMOOTH SURFACE SUCH AS A RUG OR CARPET TO AVOID THE PARTS FROM BEING SCRATCHED.
- ② BEFORE YOU BEGIN, KINDLY FOLLOW THE ASSEMBLY INSTRUCTIONS STEP BY STEP.
- ③ DO NOT TIGHTEN ALL SCREWS AND BOLTS UNTIL THE CHAIR IS FULLY SET-UP.

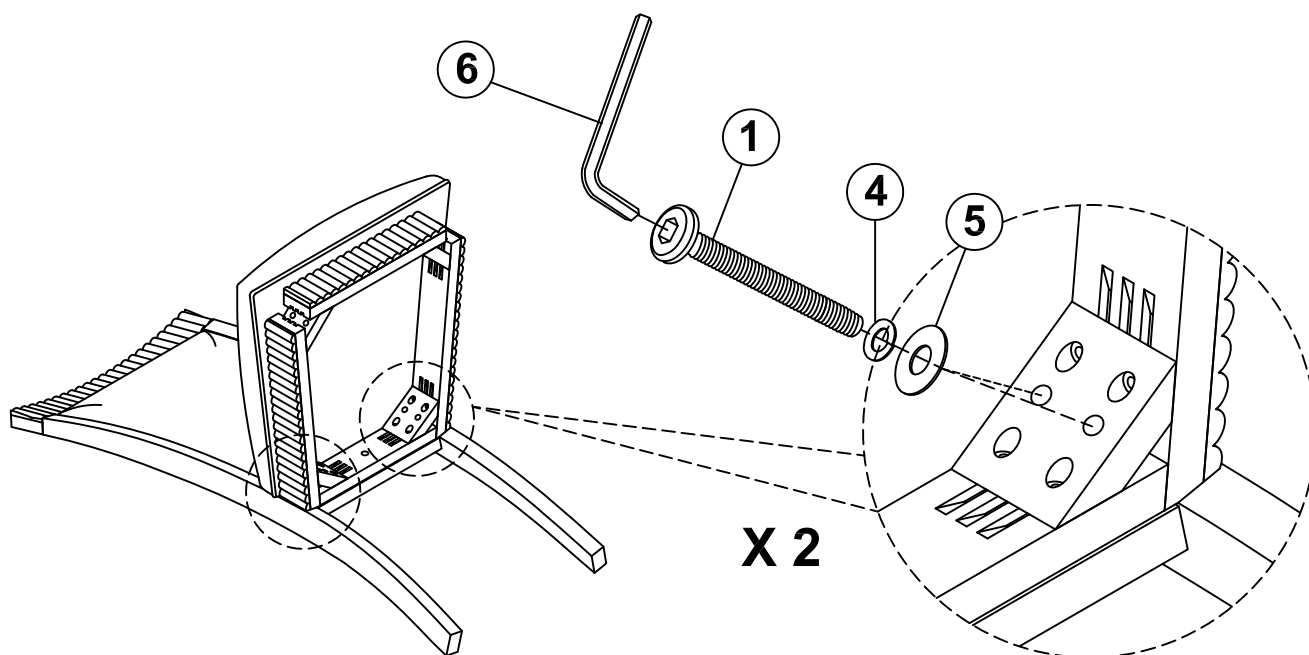


Part List For	Hardware List
<p>(A)</p>  <p>BACK FRAME (1pc)</p>	<p>(1)  Ø1/4"x 80mm BOLT (4pcs)</p> <p>(2)  Ø1/4"x 60mm BOLT (4pcs)</p>
<p>(B)</p>  <p>CUSHION SEAT (1pc)</p>	<p>(3)  Ø1/4"x 38mm BOLT (1pc)</p> <p>(4)  Ø1/4"x 11mm LOCK WASHER (9pcs)</p>
<p>(C)</p>  <p>FRONT LEG (2pcs)</p>	<p>(5)  Ø1/4"x 19mm FLAT WASHER (9pcs)</p> <p>(6)  4mm ALLEN KEY (1pc)</p>

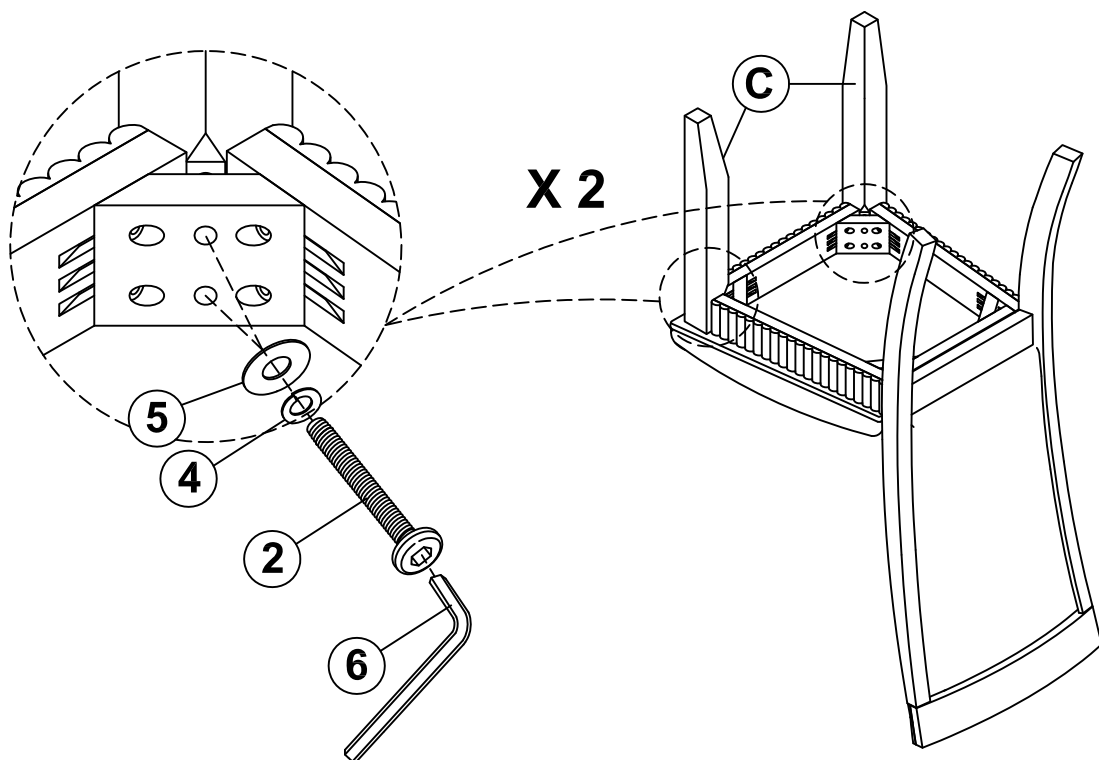
STEP 1:



STEP 2:



STEP 3:



STEP 4:

