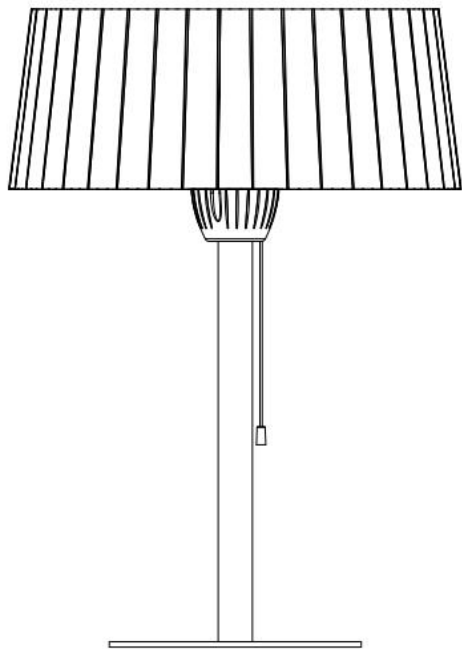


Instruction Manual

Electric Patio Heater

ZHQ1566-AT-BC-B



Please read these instructions carefully before using your new
Electric Patio Heater

IMPORTANT INSTRUCTIONS

Only use the halogen heater on a firm solid horizontal area where all the feet on the base are in contact with the floor. (**S**hould the heater be tilted or fall over the auto cut off switch will activate)

1. **S**ite the heater outside or in a large open area and well away from any obstructions such as branches or where the heater is near any objects that can be affected by heat, such as furniture, curtains or other inflammable objects (minimum distance 1 meter).
2. **Do not** use in unventilated areas.
3. **Do not** use where gas, petrol, paint or other inflammable goods are stored.
4. **Do not** push any items through, obstruct or cover the grill of the heater head.
5. **Do not** leave turned on and unattended especially when children and or animals are in the vicinity.
6. **T**he indication of the different positions of switches shall be visible from a distance of 1M.
7. **T**he Marking concerning covering shall be visible after the

heater has been installed. **I**t shall not be placed on the back of portable heaters.

8. **T**he unit must be securely placed on a horizontal and flat surface.
9. **T**he unit is at high temperature during operation. **I**t keeps hot for a period after shut down. **P**otential danger would occur when touching it during this period.
10. **D**on't place the unit closed to curtain and/or other flammable objects. **O**therwise there will be a danger of catching fire.
11. **D**on't cover the unit with anything during operation or a short time after it's shut down.
12. **D**on't wrap the power supply cord on the unit.
13. **T**he unit must be handled with care, and avoid vibration or hitting.
14. **T**he unit must be securely grounded during operation.
15. **W**hen assembling, keep clear from any board or flammable material.
16. **T**he head of the unit is at high temperature during operation.

Unplug the unit and wait till it cools before cleaning.

17. **D**on't use this unit in place where causticity or volatile air exists, i.e. dust, steam, gas, etc.
18. **D**on't use this unit as a cloth drier or towel drier.
19. **D**on't use this unit as a sauna heater.
20. **D**on't use this unit in place of animal propagating and rising.
21. **D**on't immerse this unit into water for cleaning.
22. **T**he unit should be plugged in a socket, which is easily visible and reachable.
23. **T**wo Dark points may exist on the surface of the heating elements during the first few minutes after it is turned on. **T**his is normal, and will not affect the performance of the unit.
24. **C**hildren of less than 3 years should be kept away unless continuously supervised.
25. **C**hildren aged from 3 years and less than 8 years shall only switch on/off the appliance provided that it has been placed or installed in its intended normal operating position and they have been given supervision or instruction concerning use of the appliance in a safe way and understand the hazards

involved. **C**hildren aged from 3 years and less than 8 years shall not plug in, regulate and clean the appliance or perform user maintenance.

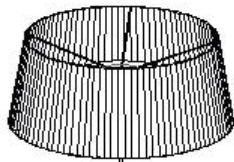
CAUTION — Some parts of this product can become very hot and cause burns.

Particular attention has to be given where children and vulnerable people are present.

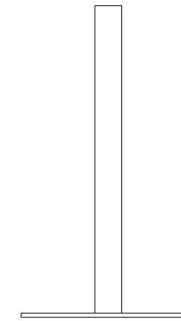
Assembling Process



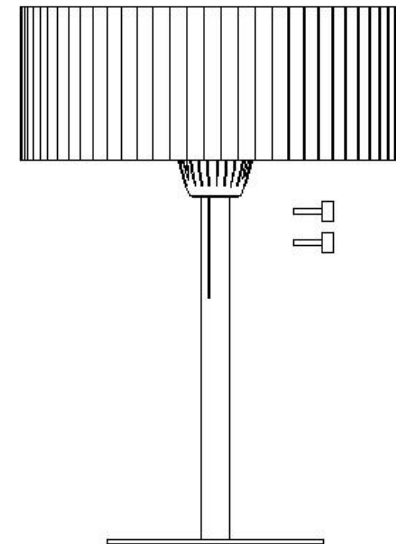
Warning: Please tear off all the hyaline protect film around the big Decoration Cover first!



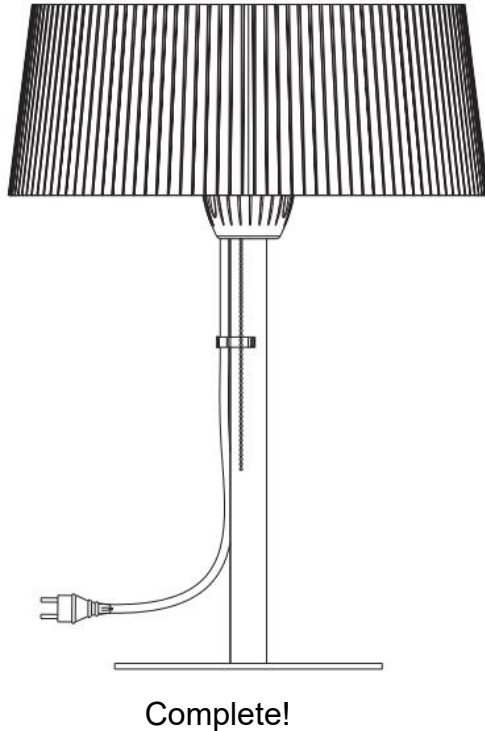
Step 1: Fix the bottom tube onto the base.



Step 2: Fix the heater with $\Phi 3.5 \times 14$ screw 2PCS.



Step 3: Fix the power cord to the slots.



Operation

Connect the power cable to a 15 amp supply that is located in a safe, dry area.

Pull the Switch Cord the first time, the heater will on(1500w).

Pull the Switch Cord the second time, the heater will off(0w).

- Although the patio heater is shower proof, do not use when raining or in wet conditions.

- Always disconnect the power cable from the electrical supply, when the patio heater is not in use.

MAINTENANCE

Unplug the unit and let it cool completely.

To keep the heater clean, the outer shell may be cleaned with a soft, damp cloth. You may use a mild detergent if necessary. After cleaning, dry the unit with a soft cloth.

DO NOT use alcohol, gasoline, abrasive powders, furniture polish, or rough brushes to clean the heater. This may cause damage or deterioration to the surface of the heater.

Although this heater is outdoor approved, DO NOT immerse the heater in water for your safety.

Wait until the unit is completely dry before use.

STORAGE

If the heater will not be used for a long period of time, store it in a cool, dry location when not in use. To prevent dust and dirt build-up, use the original packaging to repack the unit.

TROUBLE SHOOTING

If the heater will not operate, please check the following before seeking repair of service:

Check if the power cord is plugged into an electrical outlet, if not plug in.

Check if electricity to the main fuse is working.

Make certain the power switches are turned on. If not, choose a setting.

Technical specification

- Power supply 120V~ 60Hz
- Wattage max 1500W
- Insulation class I.

GROUNDING

This product is for use on a nominal 120V circuit with a grounding plug that looks like the plug illustrated below. Make sure that the product is connected to an outlet having the same configuration as the plug. Do not use an extension cord or power strip. No adaptor should be used with this product.

