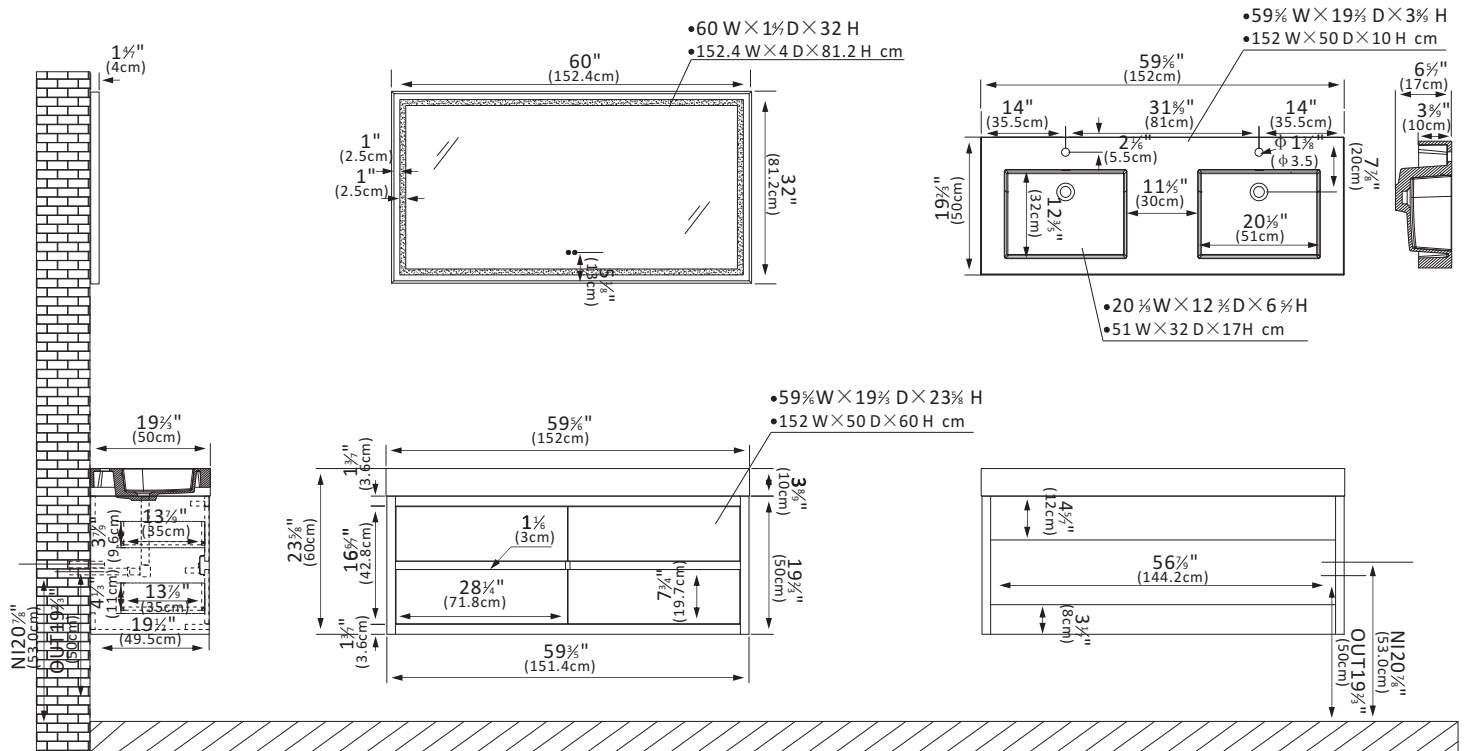


Vanity Collection



Features

- **Durable Materials:** Crafted of Wood-Finished PVC board which Waterproof, moisture-proof and ash layer for superior stability and durability.
- **Stunning Finish:** Available in North American Oak finish to complement your décor.
- **Ample Storage Space:** Four soft-close drawers provide ample storage for toiletries. Luxury soft-close drawer glide ensures smooth opening and closing which was including the back panel.
- **Modern Top:** 6.7"-thick, white integrated rectangular sink top with overflow lends a fresh and contemporary look. With a high-gloss, anti-fouling coating, the countertop is scratch-resistant, wear-resistant, and easy to clean.
- **High-Quality Hardware:** Brushed Gold hardware finish lends a touch of style and contrast.
- **Matching Mirrors:** Single, rectangular LED mirror coordinates perfectly with vanity. (Mirror Option)
- **Faucet Type:** Countertop has a pre-drilled, standard 1-3/8" faucet hole.
- **Accessories:** Does not include faucet, drain assembly or P-trap, backsplash and Storage Cabinet. Comes fully assembled and ready to install in your bathroom.
- **No Installation Required:** Floating bathroom vanity comes fully assembled for your convenience. Designed for easy, no-hassle plumbing and faucet installation.
- **Full Warranty:** 1-Year Manufacturer Warranty—purchase with 100% peace of mind.
- **Country of Origin:** China