








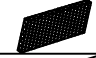









ASSEMBLY INSTRUCTIONS

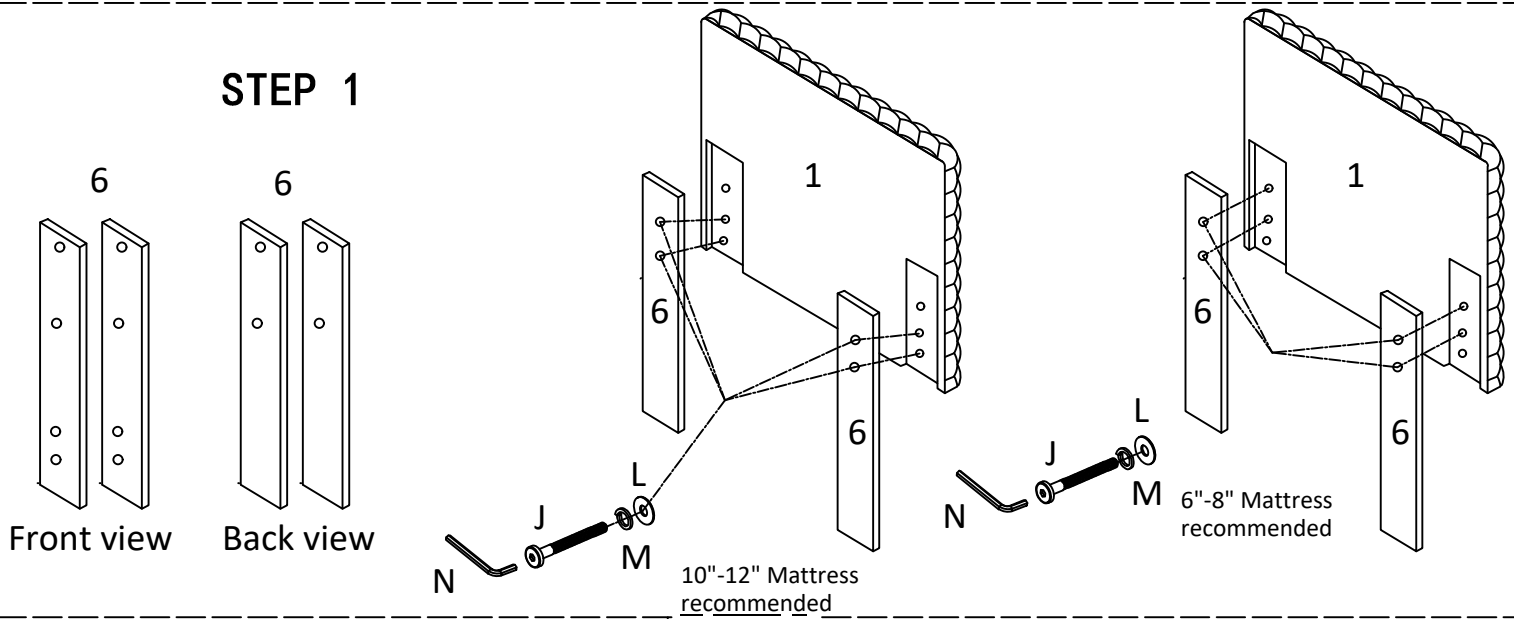
ITEM NO : B1126 T

1/2

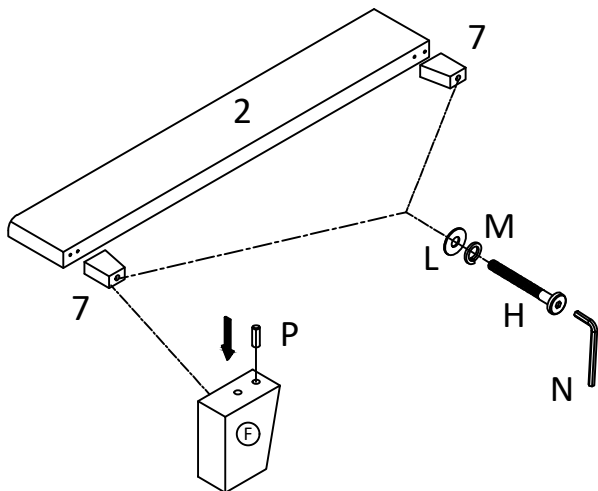
HARDWARE LIST		
NO.	PART	Q.TY
H	 1/4" x3-1/2"	2PCS
I	 1/4" x 1"	8PCS
J	 1/4" x 2-1/4"	4PCS
K	 1/4" x 1-1/2"	8PCS
L	 1/4" x 11mm	22PCS
M	 1/4" x 16mm	22PCS
N	 1/4"x70x70mm	1PC
O	 M4 x 25mm	24PCS
P	 ø10*35mm	2PCS

PART LIST		
NO.	PART	Q.TY
1	 HEADBOARD	1PC
2	 FOOTBOARD	1PC
3	 (C2) SIDE RAILS	2PCS
4	 (C1) SIDE RAILS	2PCS
5	 SLAT	2PCS
6	 HEADBOARD LEG	2PCS
7	 FOOTBOARD LEG	2PCS
8	 SIDE RAIL LEG	2PCS

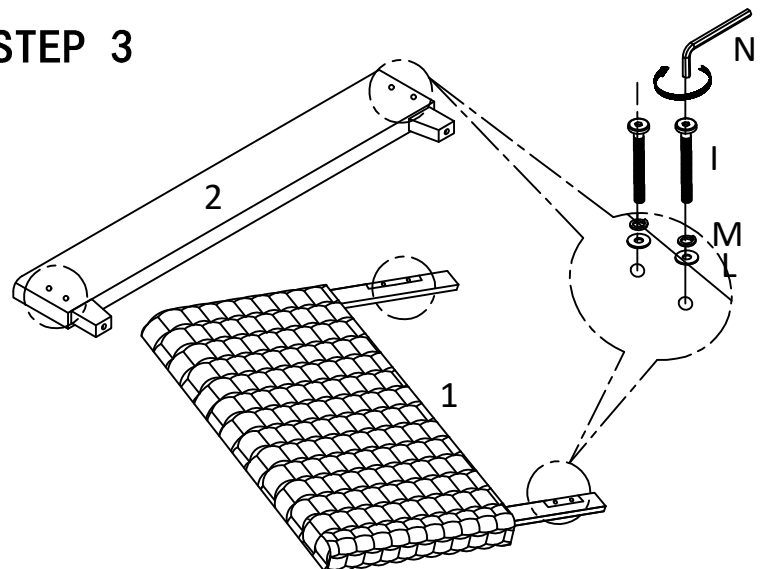
STEP 1



STEP 2



STEP 3

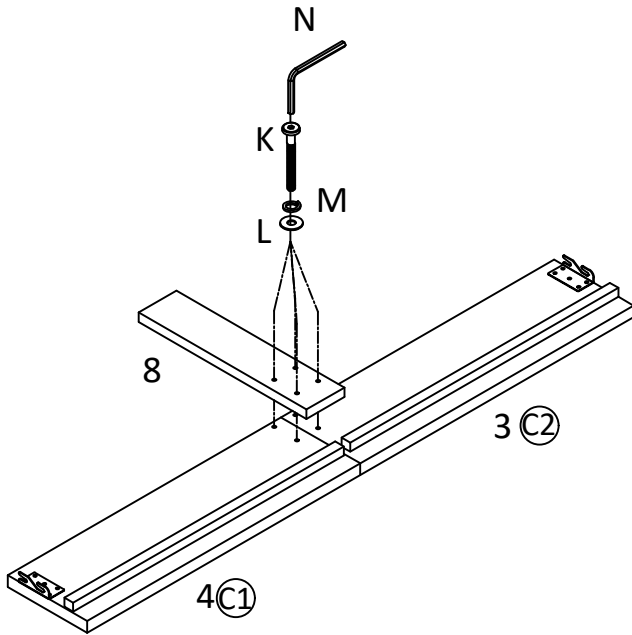


ASSEMBLY INSTRUCTIONS

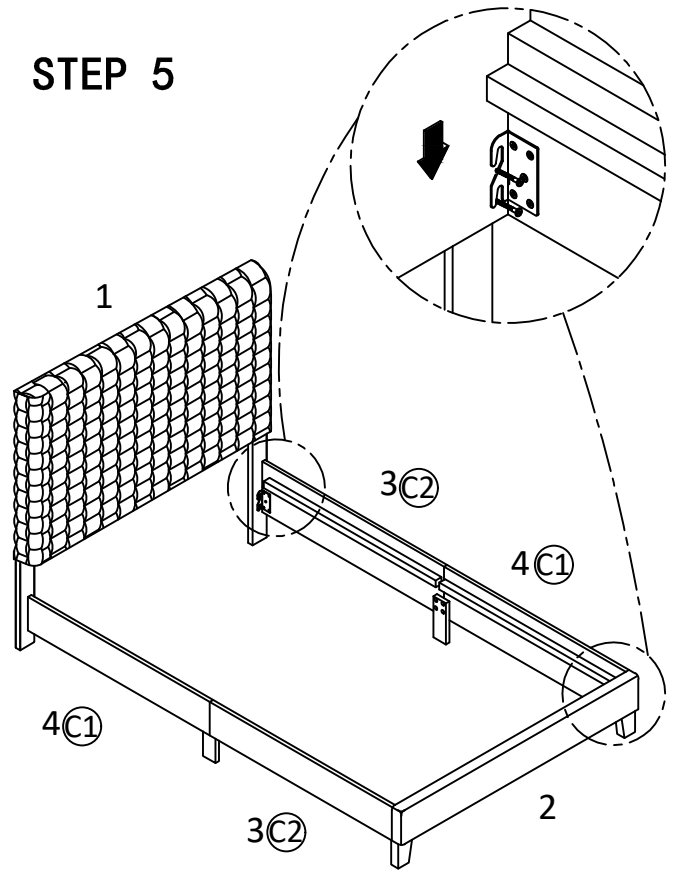
ITEM NO : B1126 T

2/2

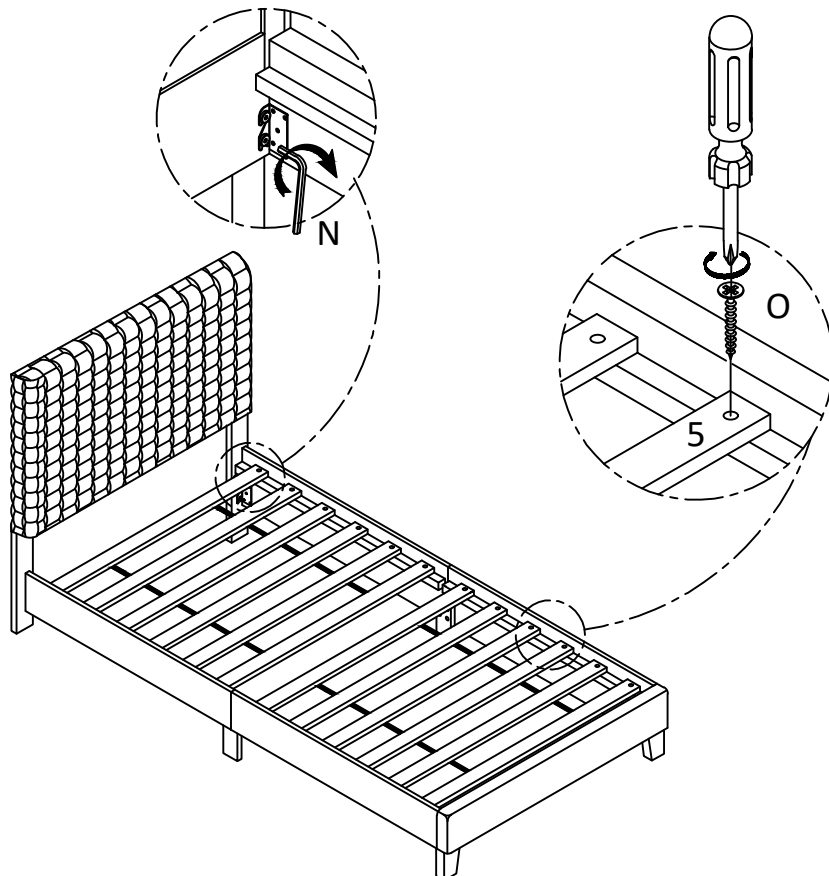
STEP 4



STEP 5



STEP 6



Do not tighten screws until completely assembled.