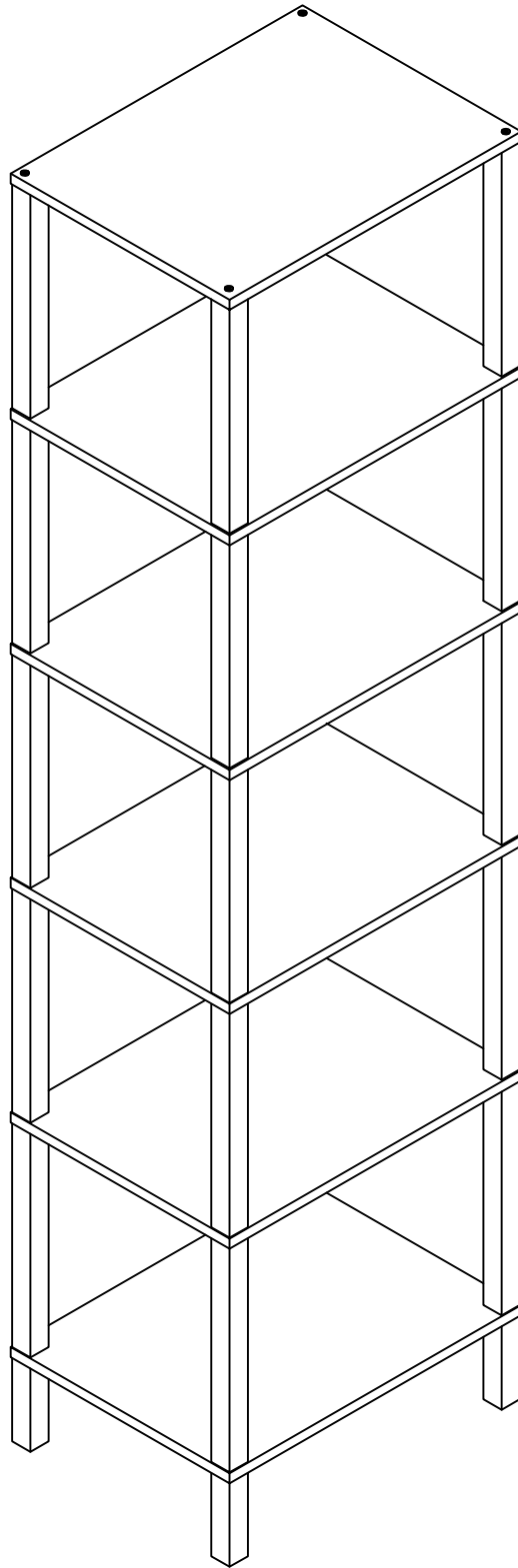
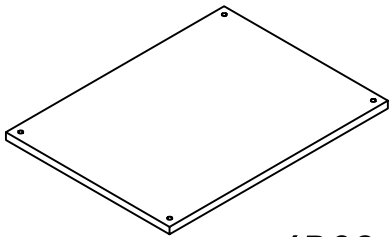








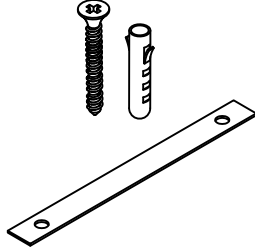
Assembly Instructions



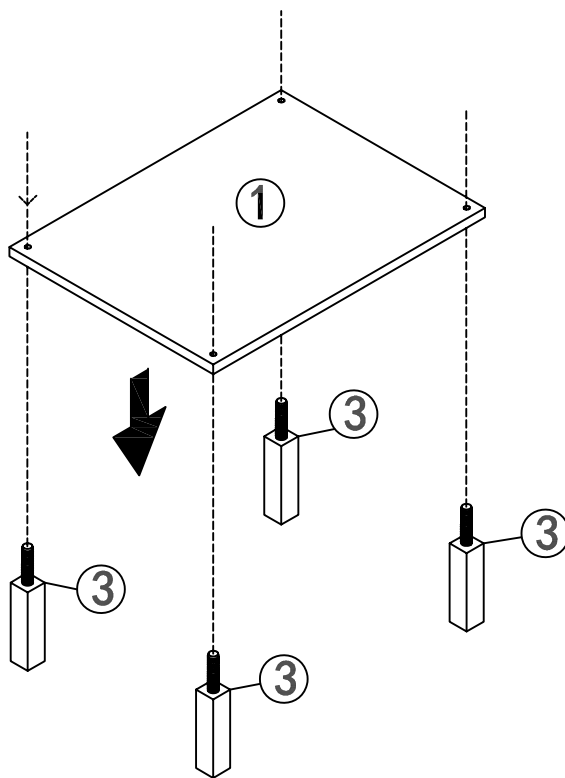
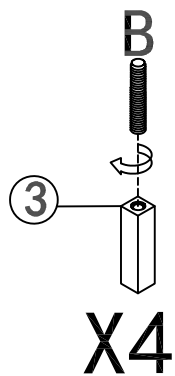
PART LIST

<p>①</p>  <p>6PCS</p>	<p>②</p>  <p>20PCS</p>	<p>③</p>  <p>4PCS</p>
--	---	--

HARDWARE LIST

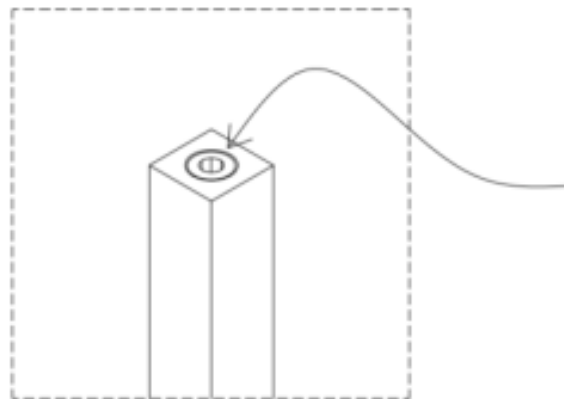
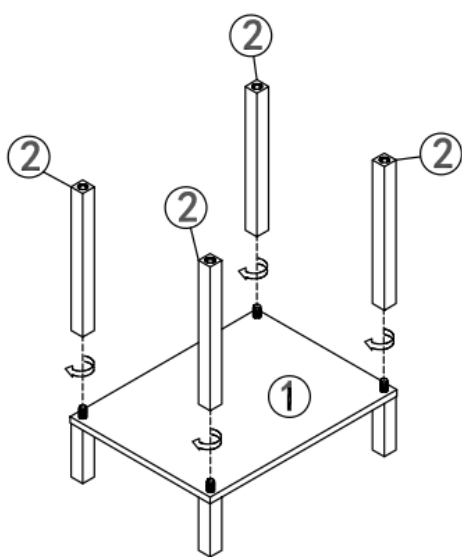
<p>A</p>  <p>M6X28 4PCS</p>	<p>B</p>  <p>M6X48 (20+1)PCS</p>	<p>C</p>  <p>4PCS</p>
<p>4mm</p>  <p>1PCS</p>	<p>V</p>  <p>2PCS</p>	

STEP 1



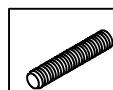
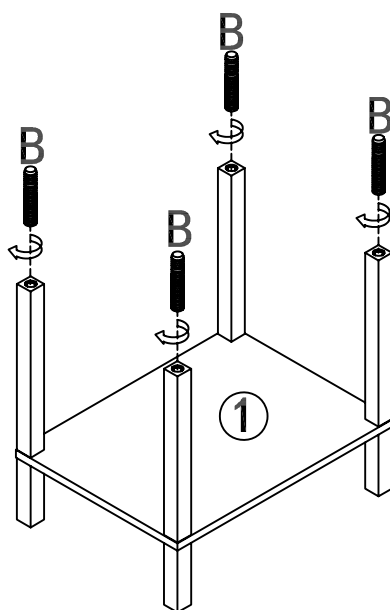
B X 4PCS

STEP 2



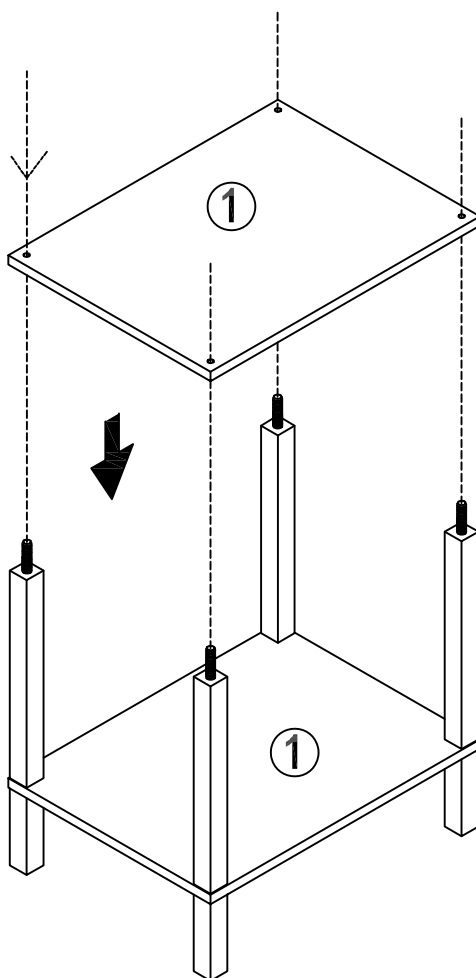
Note: When connecting the support legs, do not apply excessive force to prevent the screw holes from cracking.

STEP 3

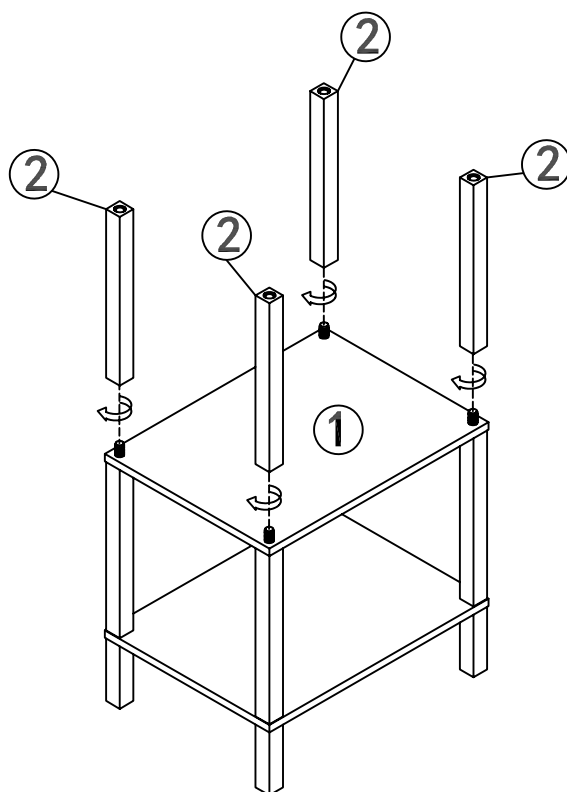


B X 4PCS

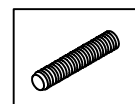
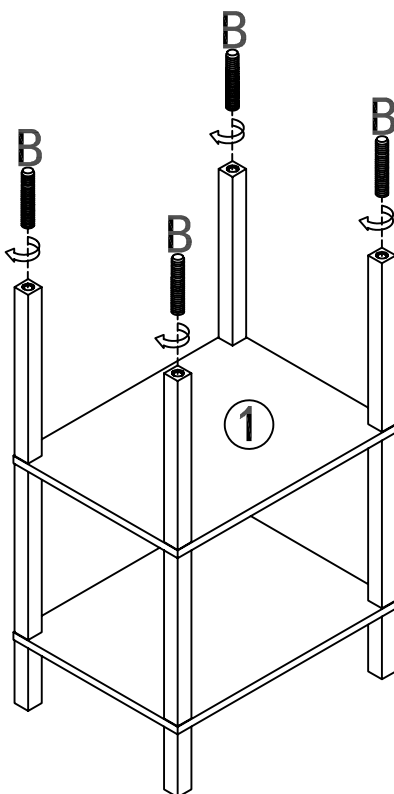
STEP 4



STEP 5

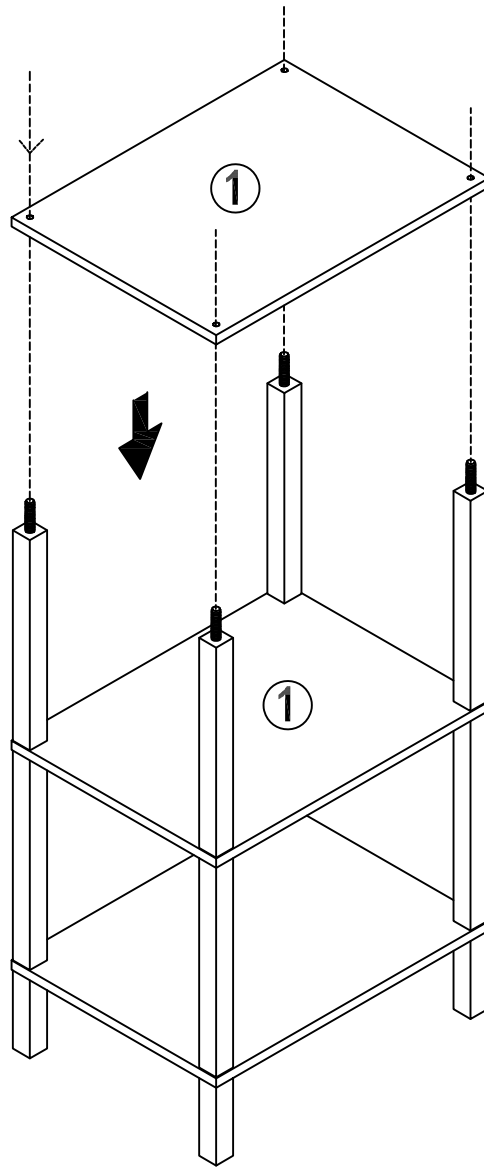


STEP 6

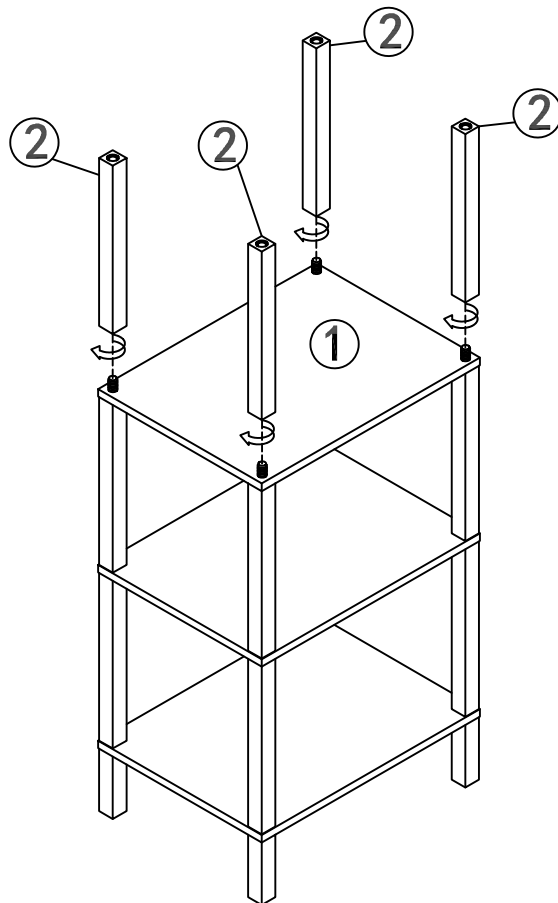


B X 4PCS

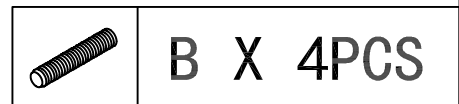
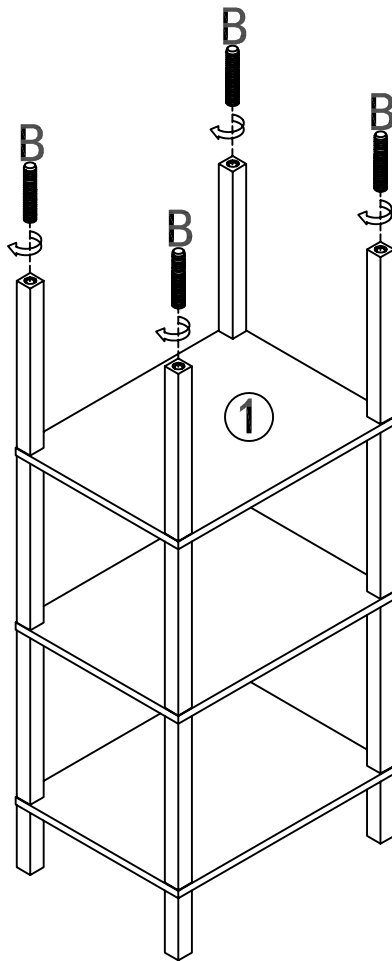
STEP 7



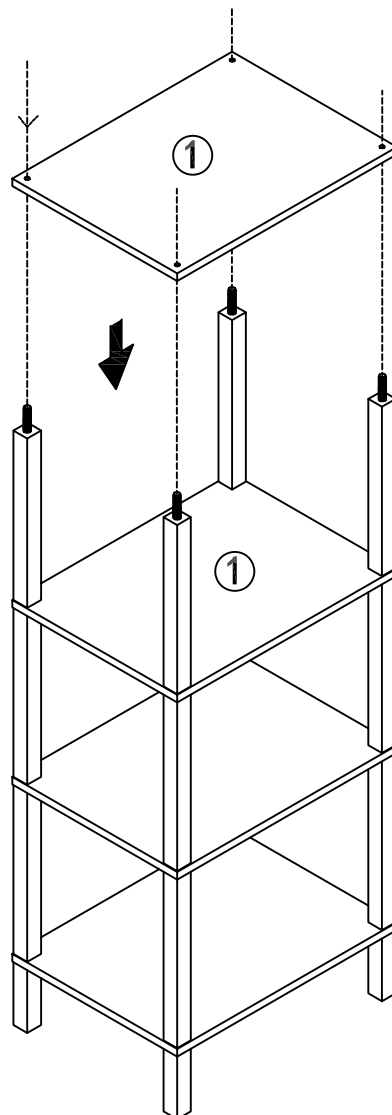
STEP 8



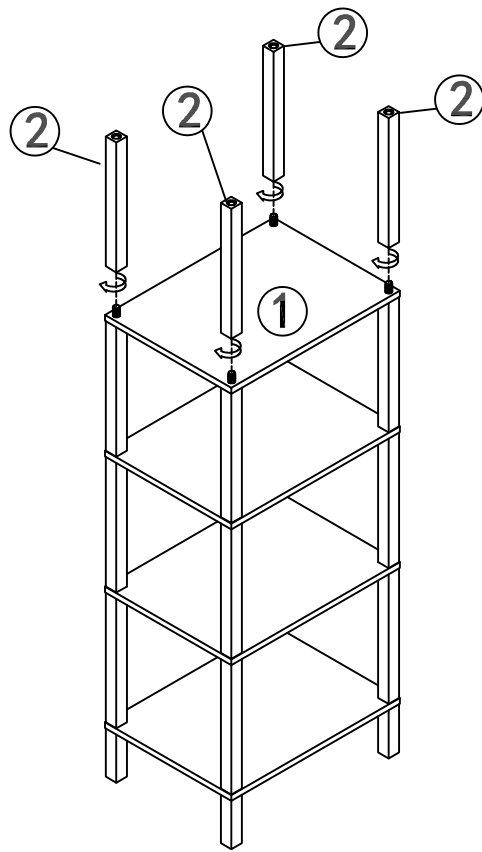
STEP 9



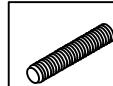
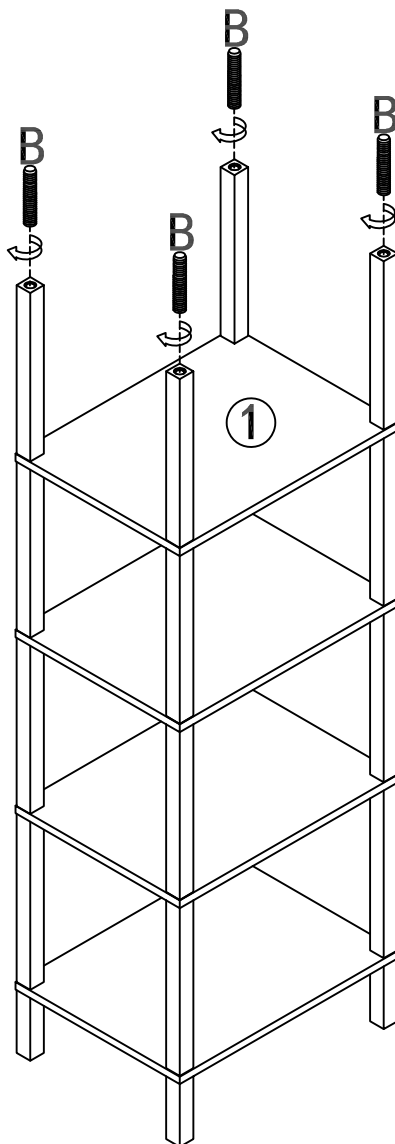
STEP 10



STEP 11

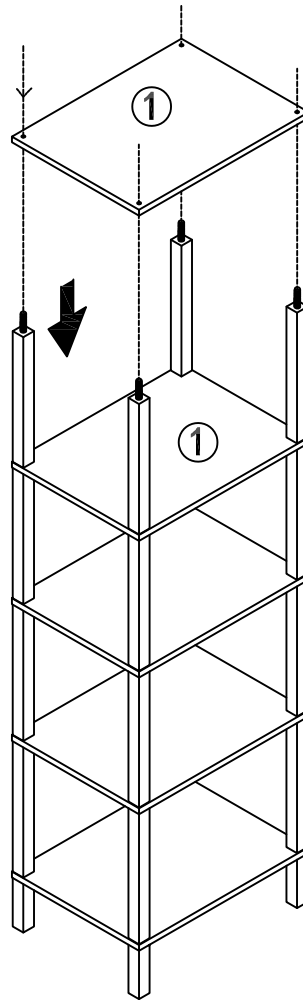


STEP 12

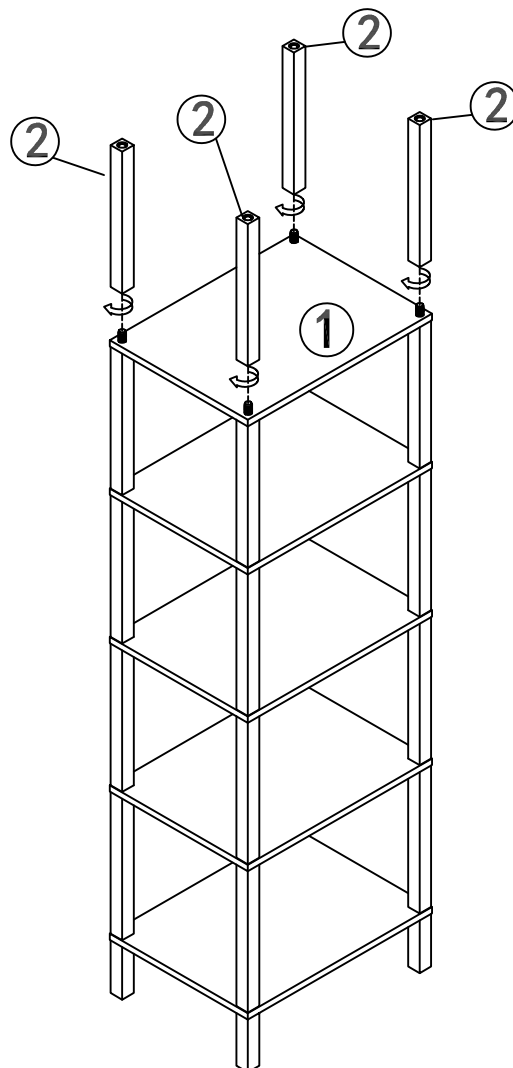


B X 4PCS

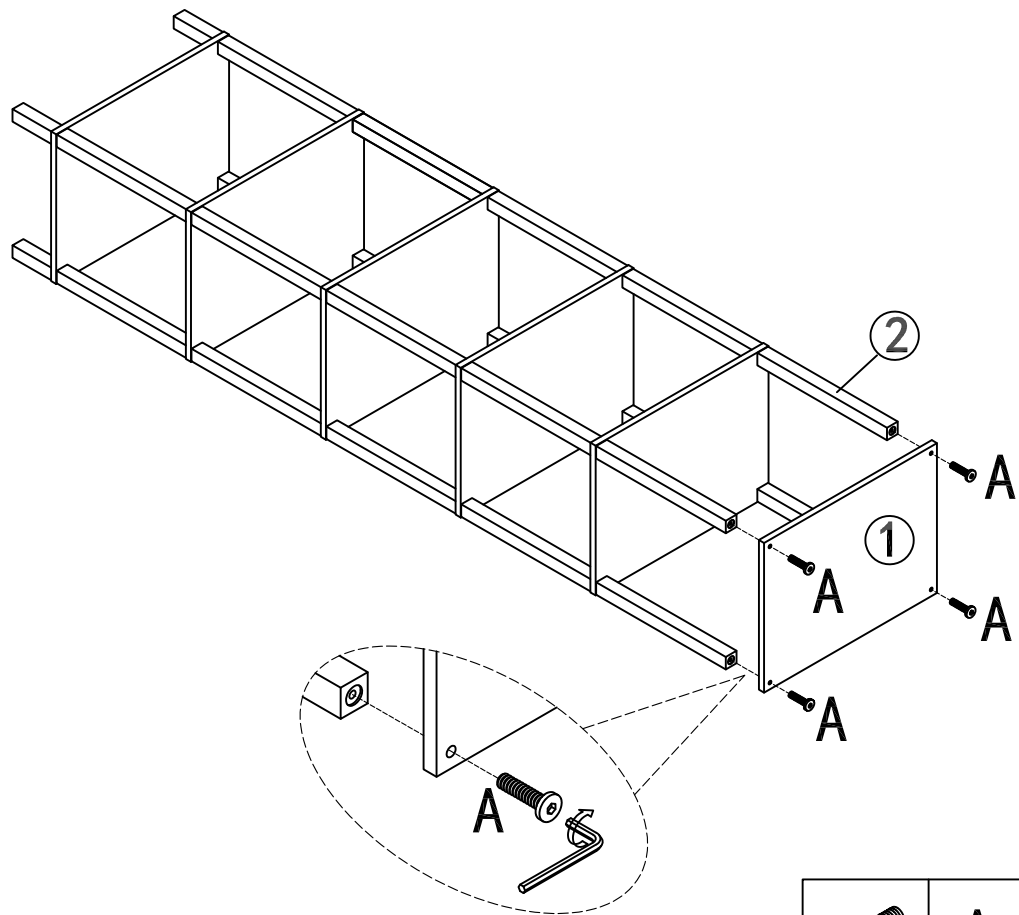
STEP 13




STEP 14

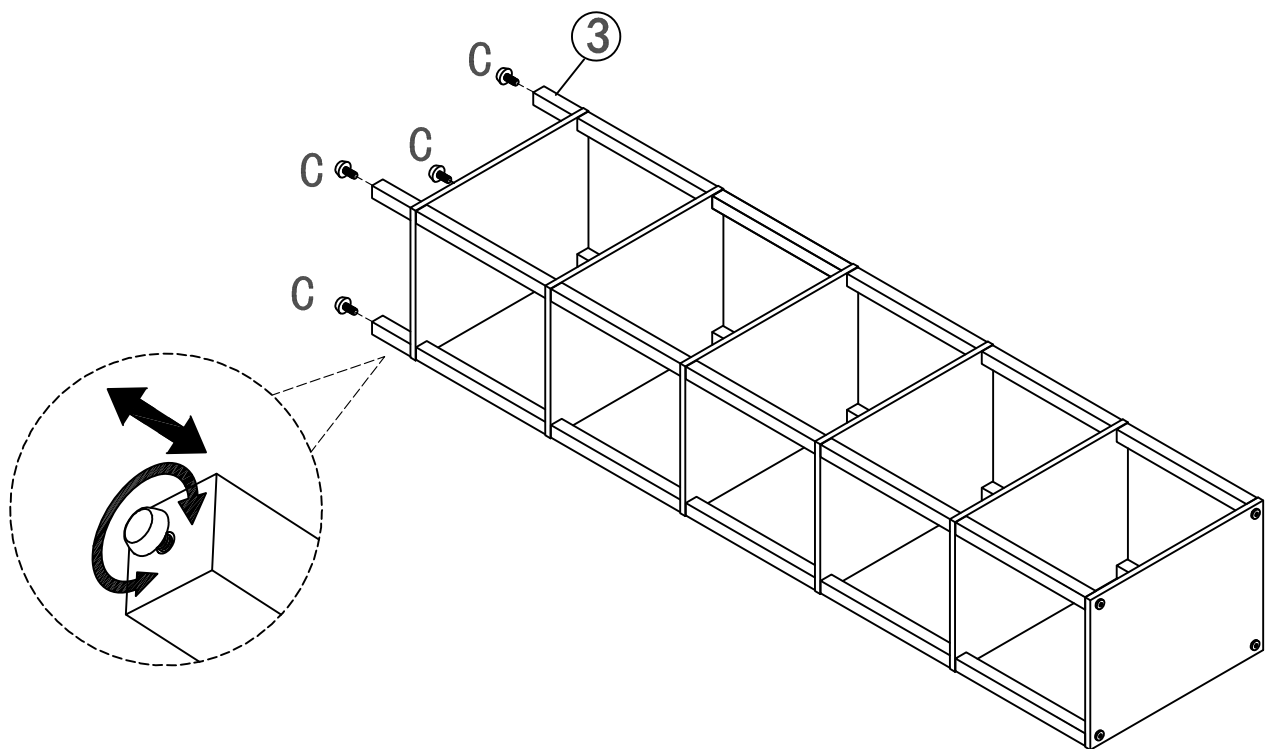



STEP 15



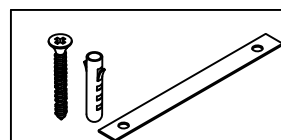
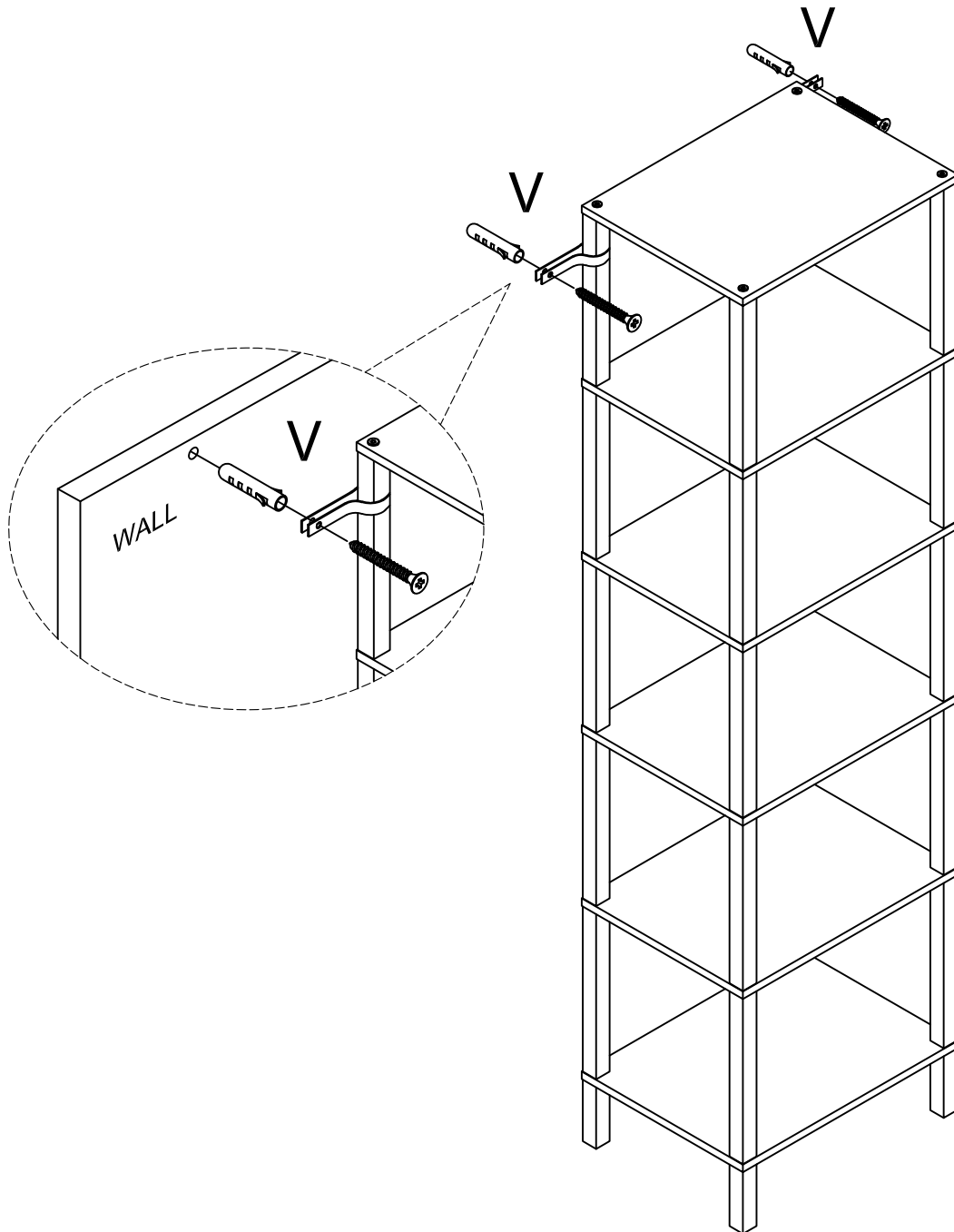
	A X 4PCS
--	-----------------

STEP 16



	C X 4PCS
---	-----------------

STEP 17



V X 2PCS