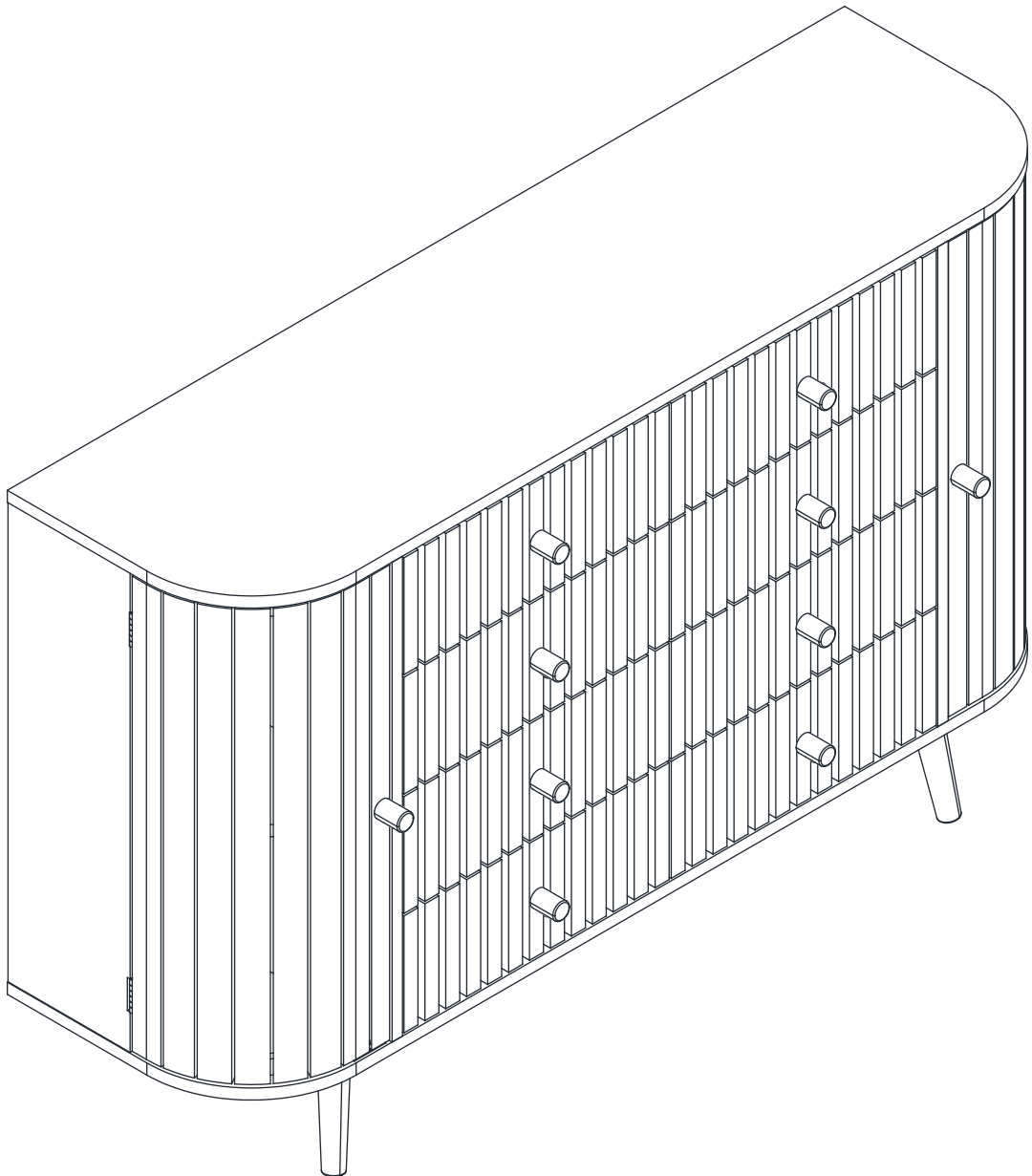


Installation Instruction



Assembling

Estimated time for assembly



45 : 00

What you need

- Use the packaging carton as a working surface to prevent product damage during assembly

- Phillips head screwdriver

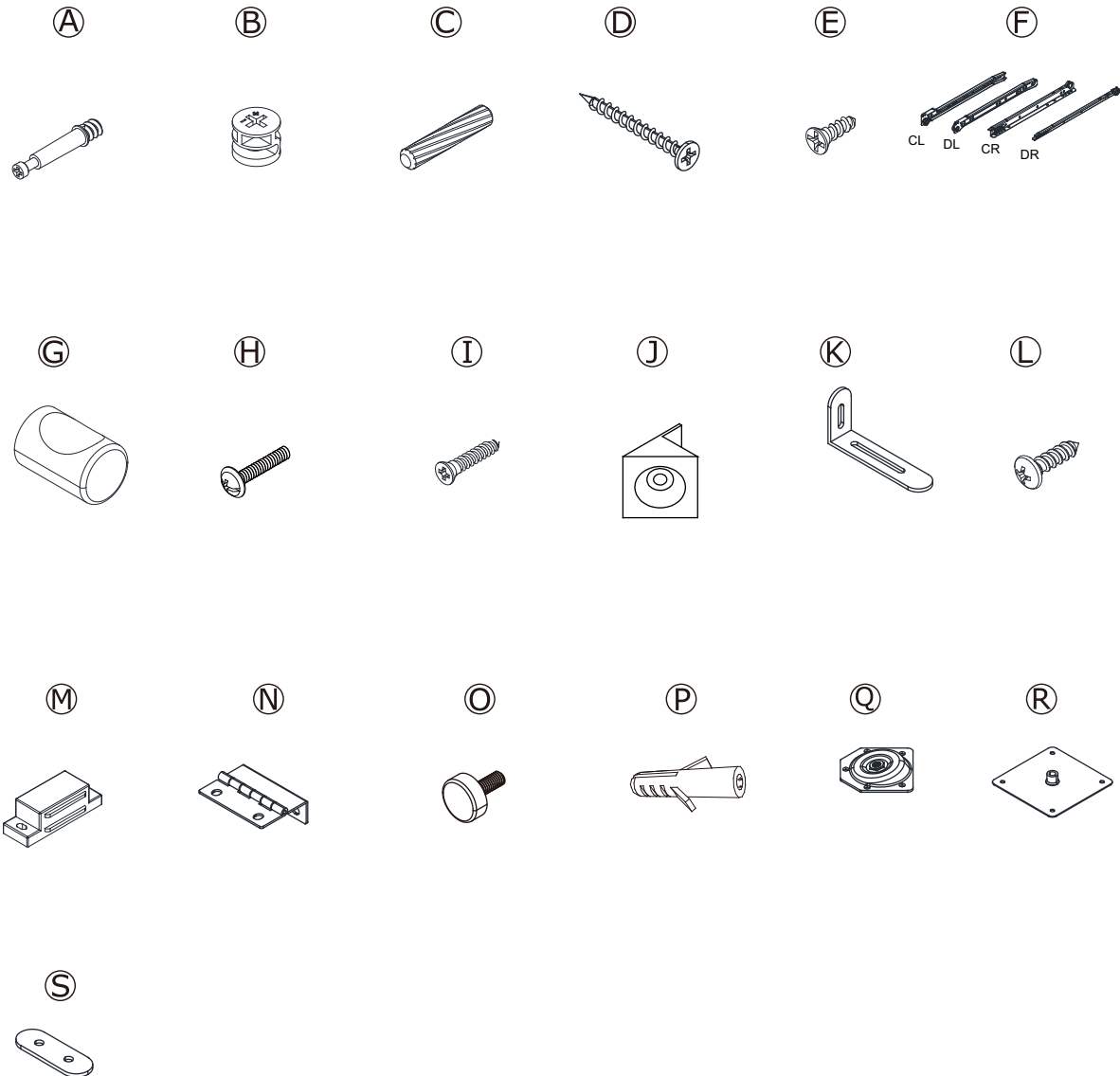


2 PERSONS

What's included

Code	Description	Qty
A	Cam Bolt M6X35MM	54
B	Cam Lock 15X10MM	54
C	Wooden Dowel M8X30MM	32
D	Screw M4X35MM	54
E	Screw M3.5X12MM	120
F	Slide Sets	8
G	Handle	10
H	Bolt M4X16MM	10
I	Screw M3X14MM	16
J	Plastic Corner Support	8
K	Metal Plate	2
L	Screw M4X14MM	26
M	Magnetic Door Catcher	4
N	Hinge	4
O	Foot Nail	1
P	Anchor M6X30MM	2
Q	Metal Pin	4
R	Middle Metal Pin	1
S	Door Metal Plate	4

The Hardwares



IMPORTANT:

1. Do not tighten bolts / screws completely until all bolts / screws are lined up and inserted into holes.
2. Do not over tighten screws and bolts to avoid stripping.
3. Please use hand tools to assemble this product. Do not use power tools.
4. Must need 2 people to assemble this product.

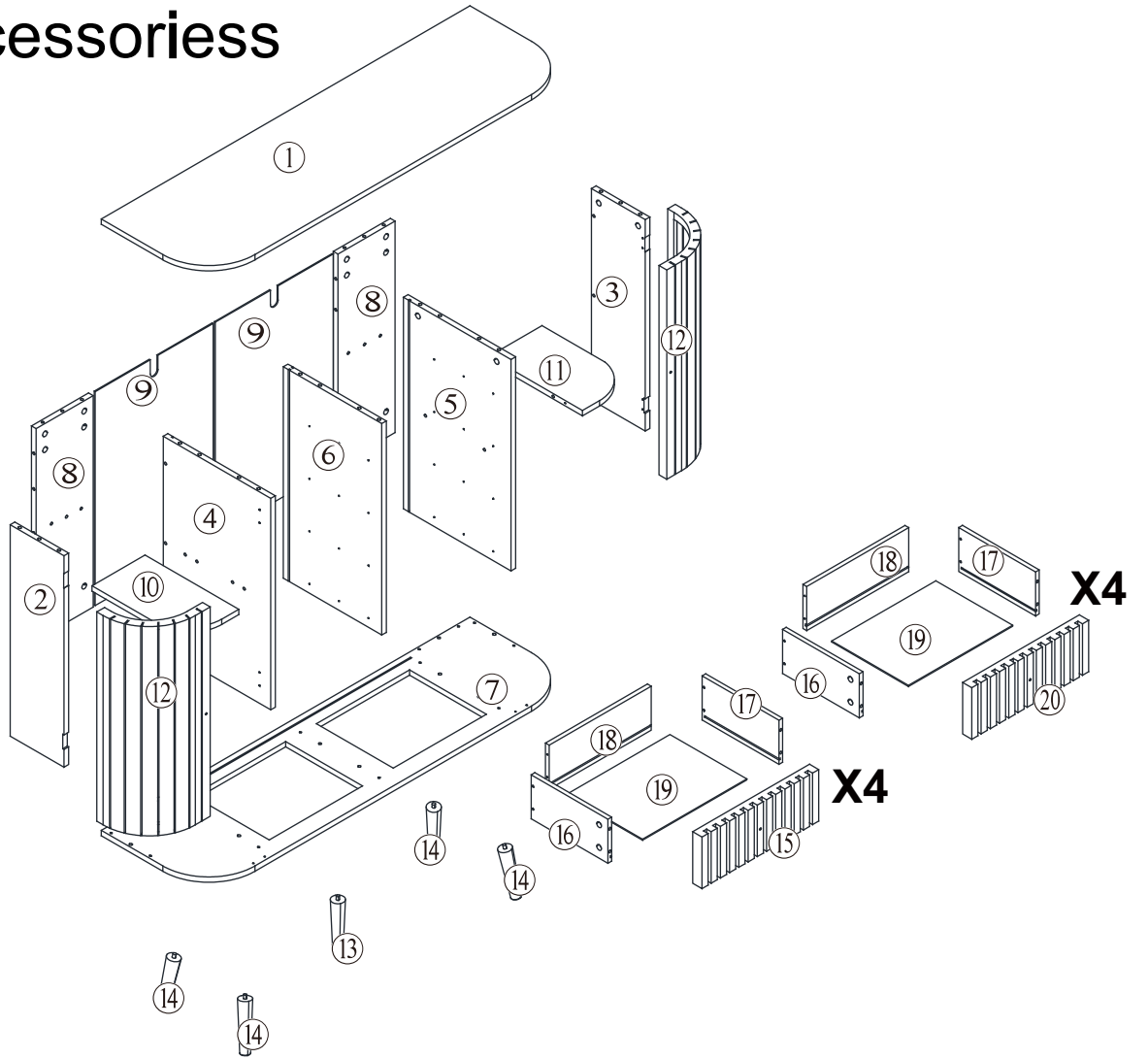


2 PERSONS

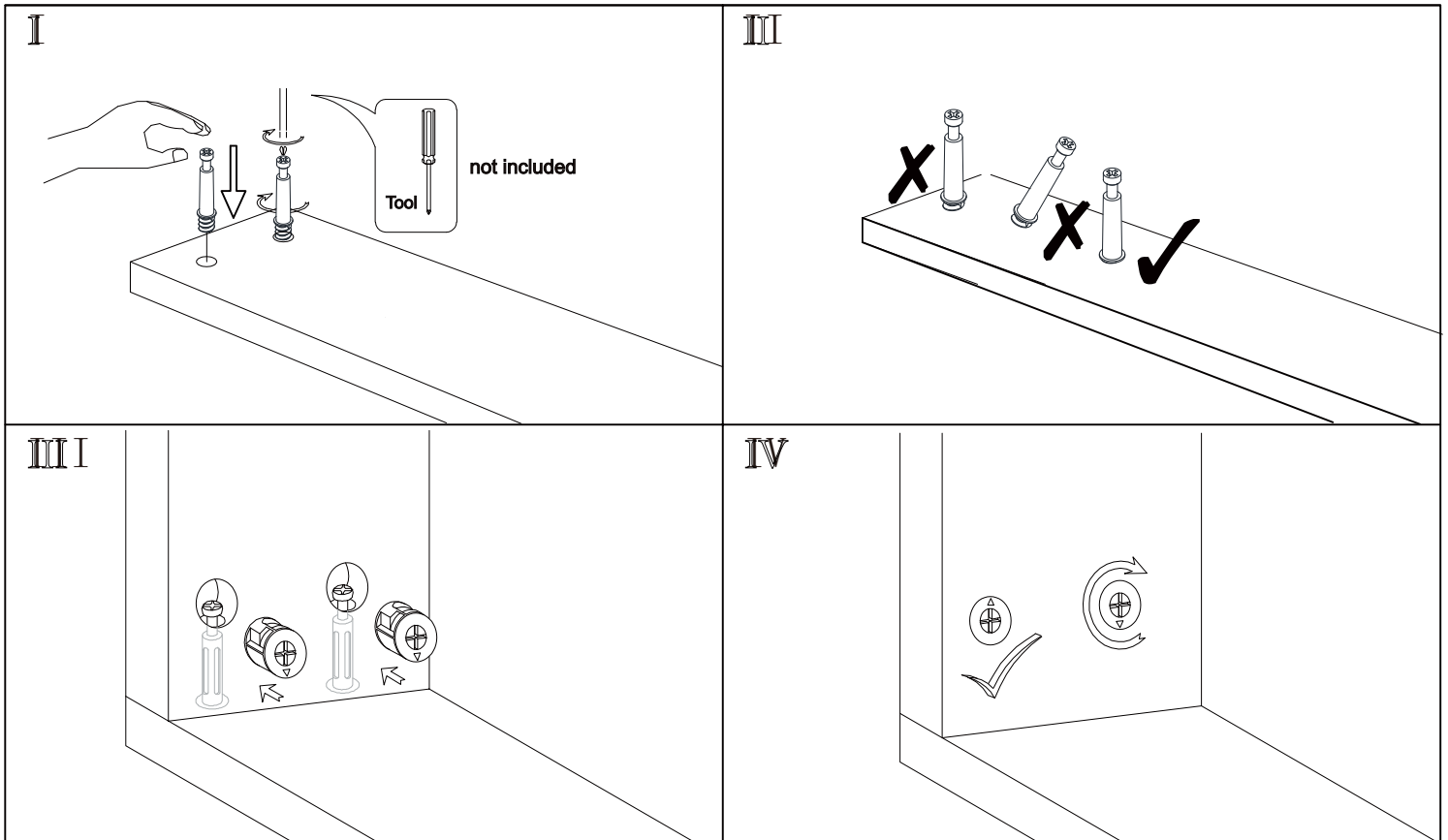
Included Accessories

Code	Description	Qty
1	Cabinet Top	1
2	Left Side Panel	1
3	Right Side Panel	1
4	Left Division Panel	1
5	Right Division Panel	1
6	Middle Division Panel	1
7	Bottom Panel	1
8	Side Back Panel	2
9	Middle Back Panel	2
10	Left Shelf	1
11	Right Shelf	1
12	Door	2
13	Middle Foot	4
14	Feet	1
15	Left Drawer Front Panel	4
16	Drawer Left Side Panel	8
17	Drawer Right Side Panel	8
18	Drawer Back Panel	8
19	Drawer Bottom Panel	8
20	Right Drawer Front Panel	4

The Accessoriess

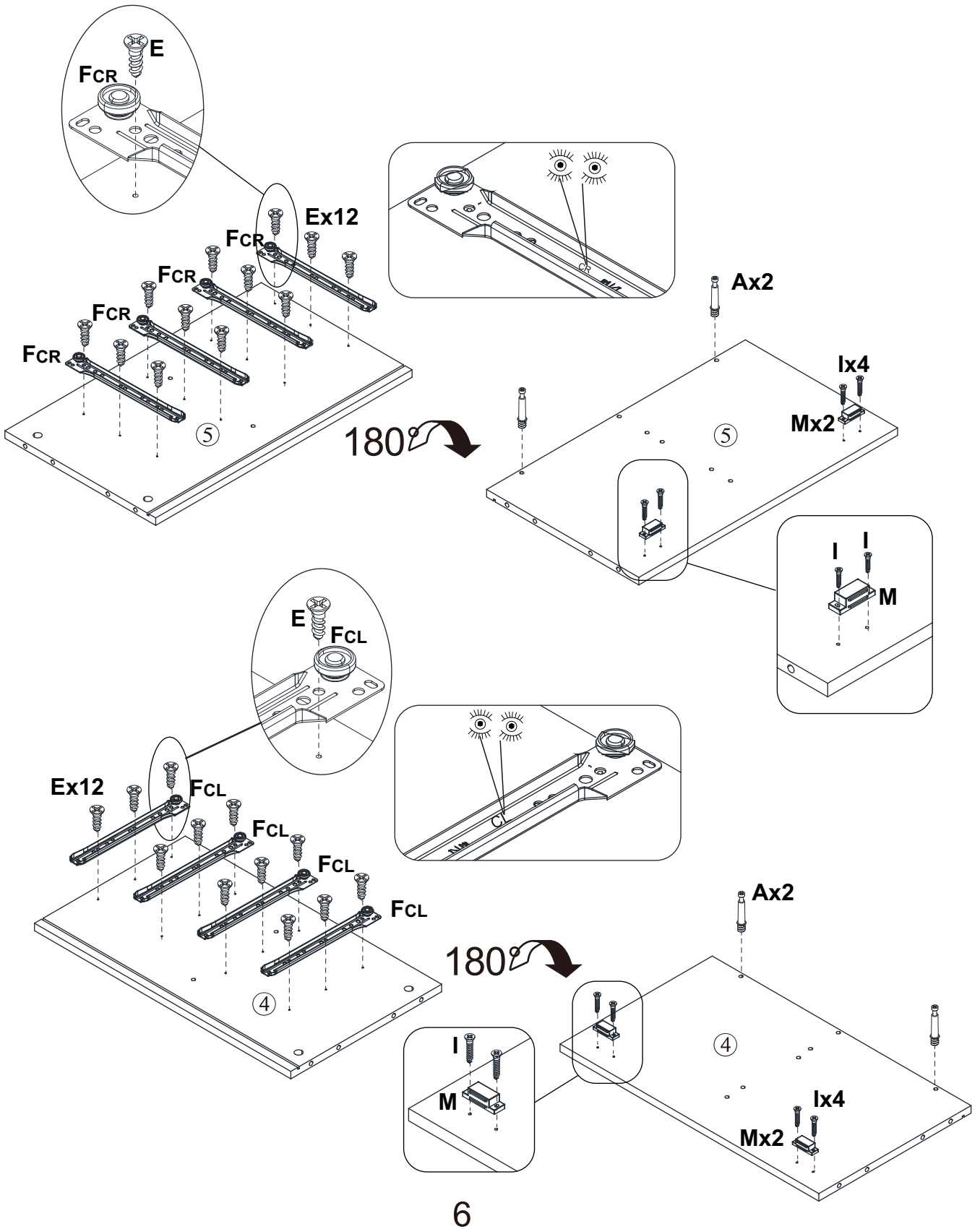


NOTED:

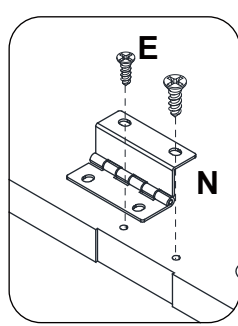
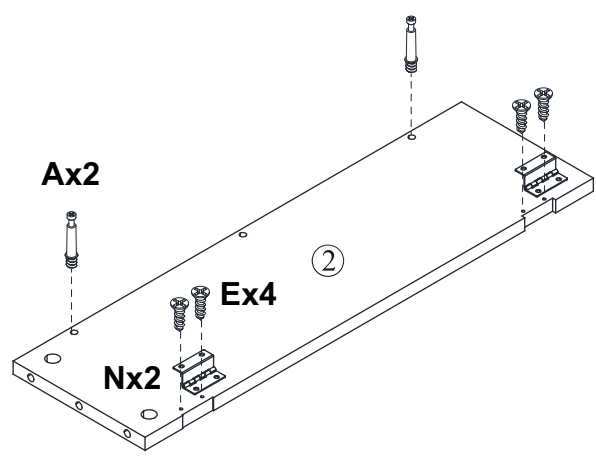
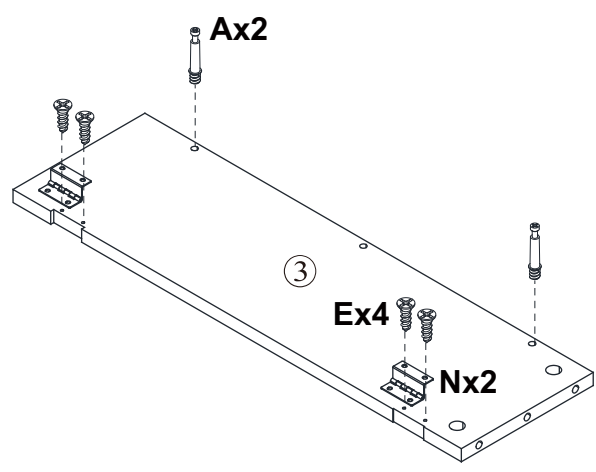
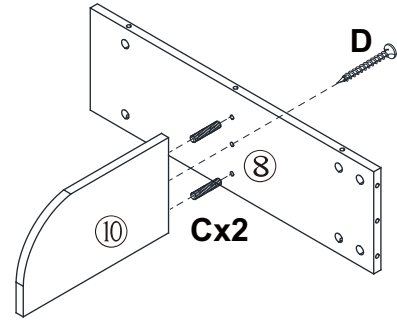
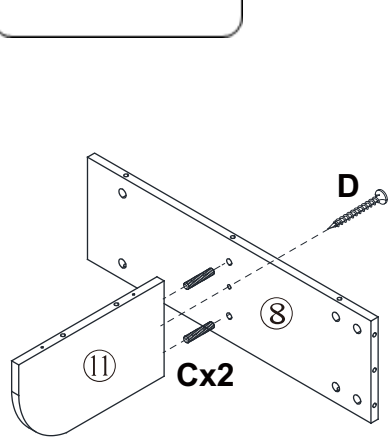
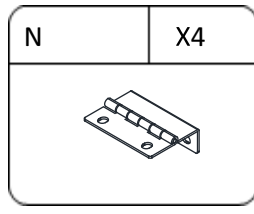
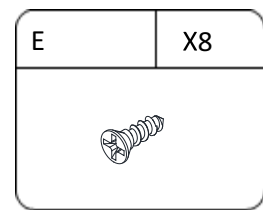
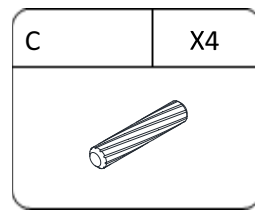
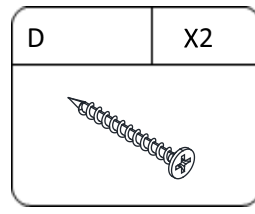
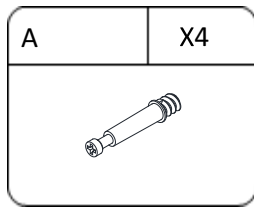


Step1

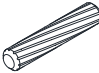
A	X4	E	X24	F	X4	I	X8	M	X4




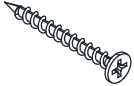
Step2

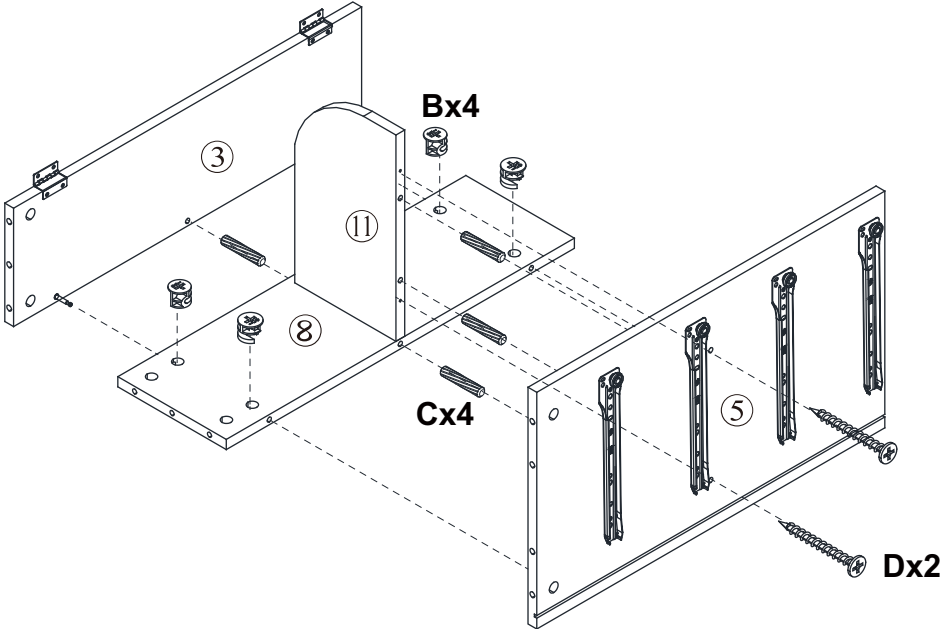
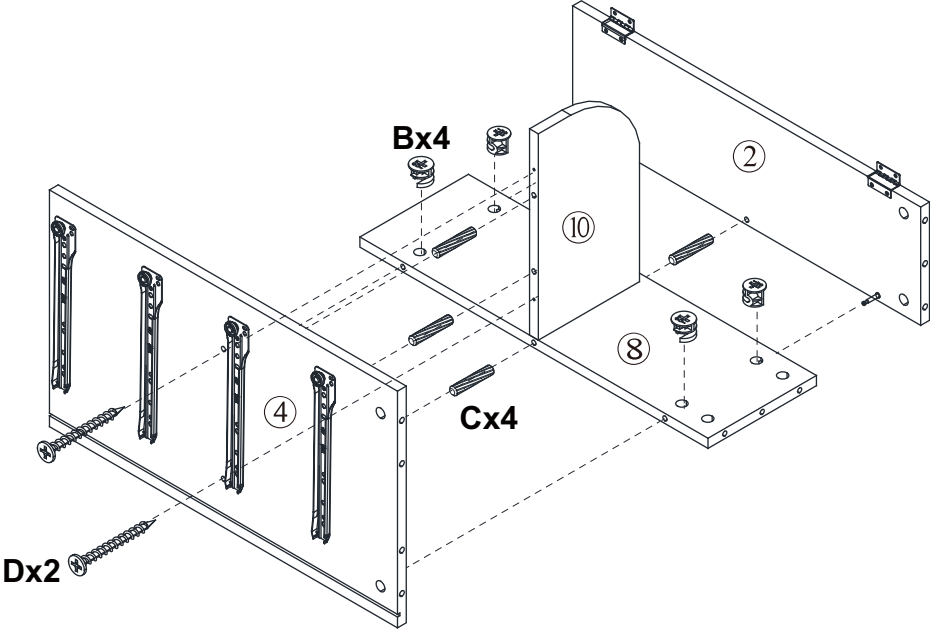


Step3

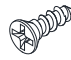
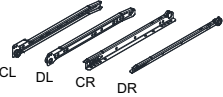
C	X8
	

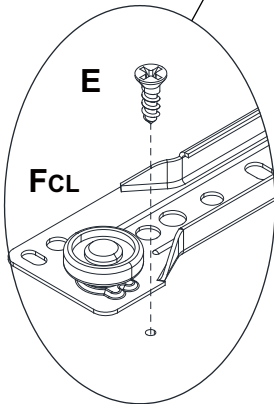
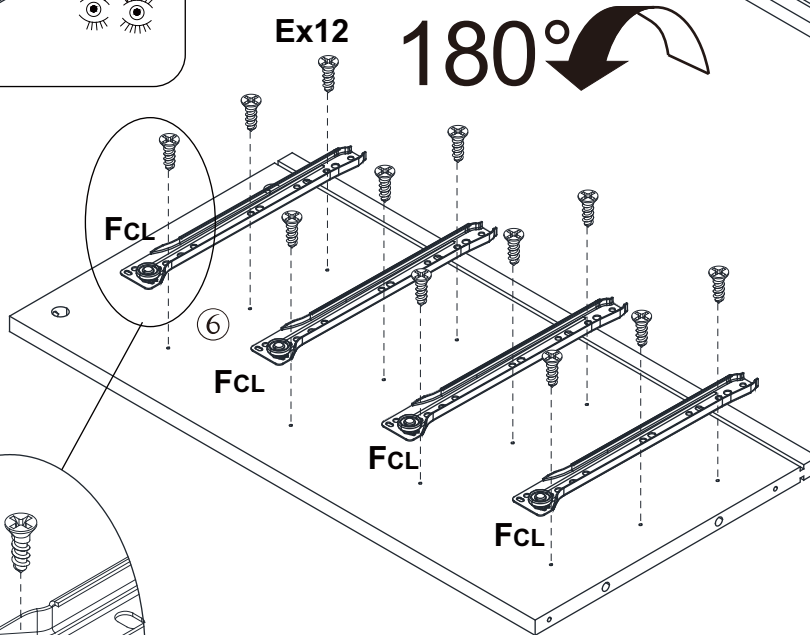
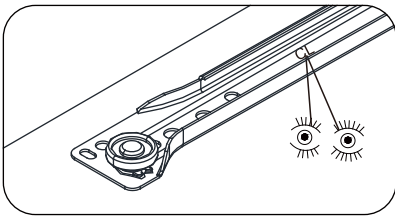
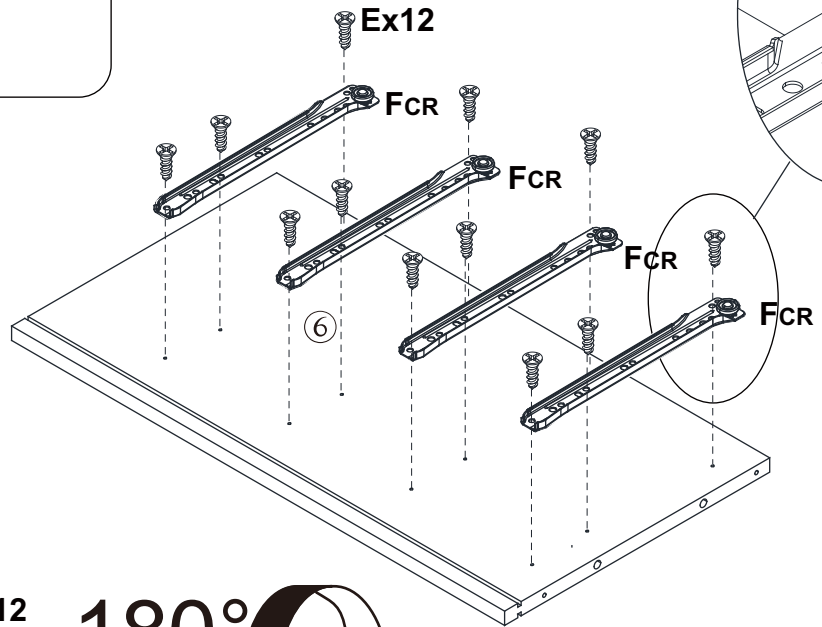
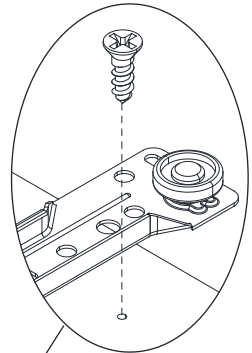
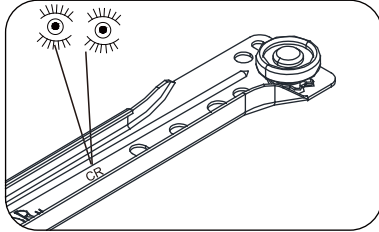
B	X8
	

D	X4
	

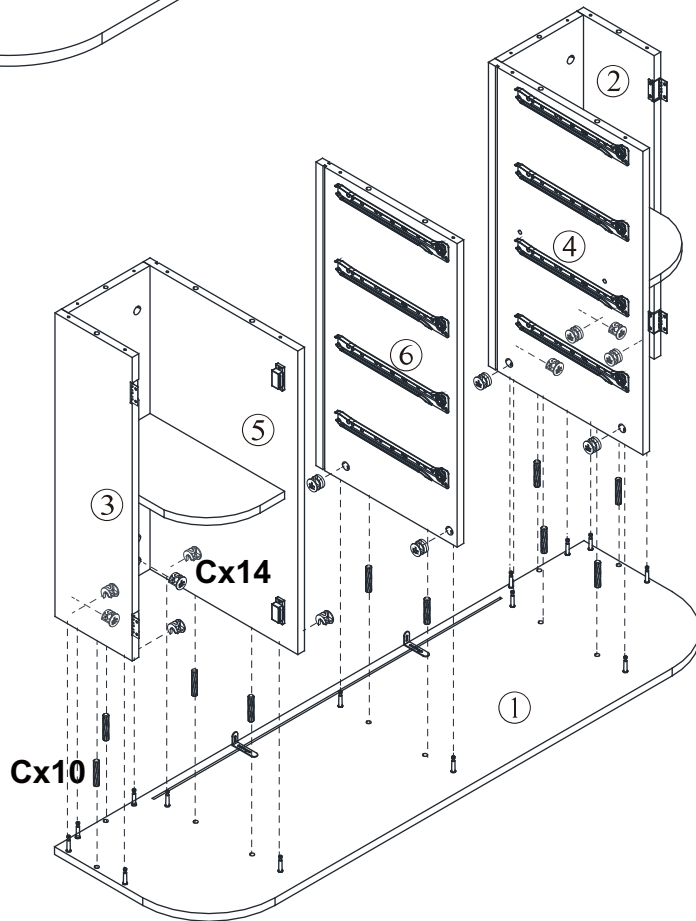
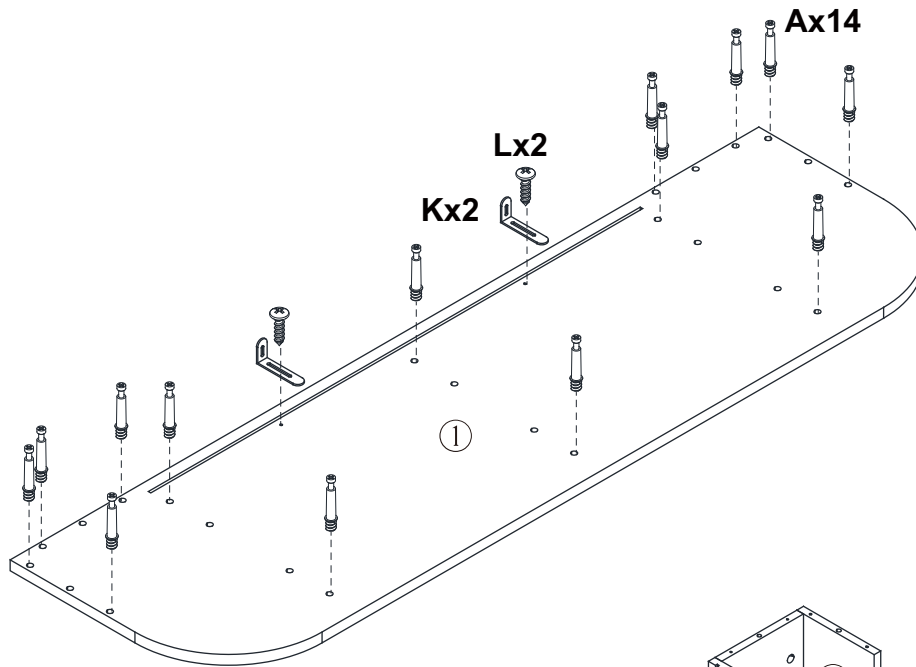
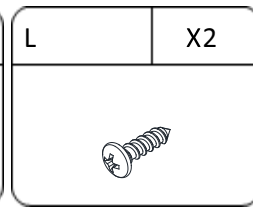
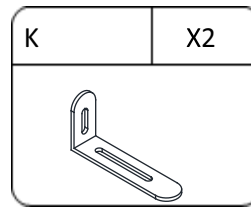
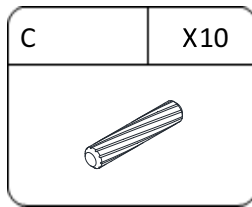
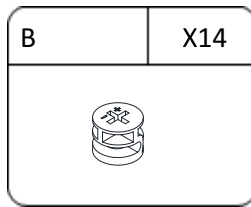
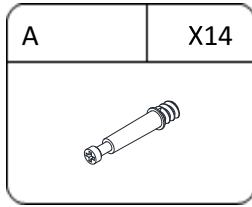


Step4

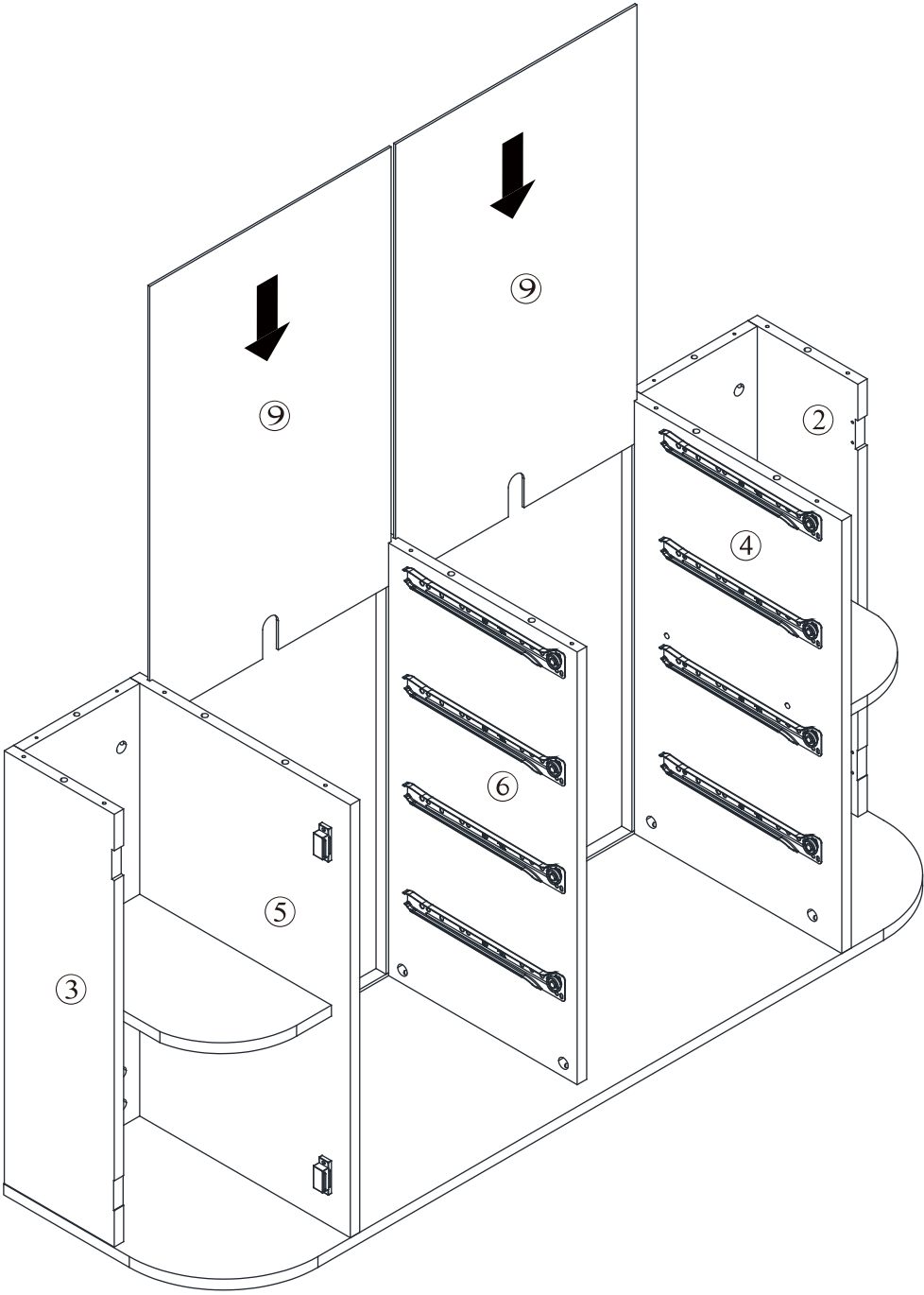
E	X24	F	X4
			



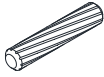
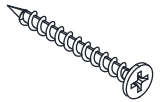
Step 5

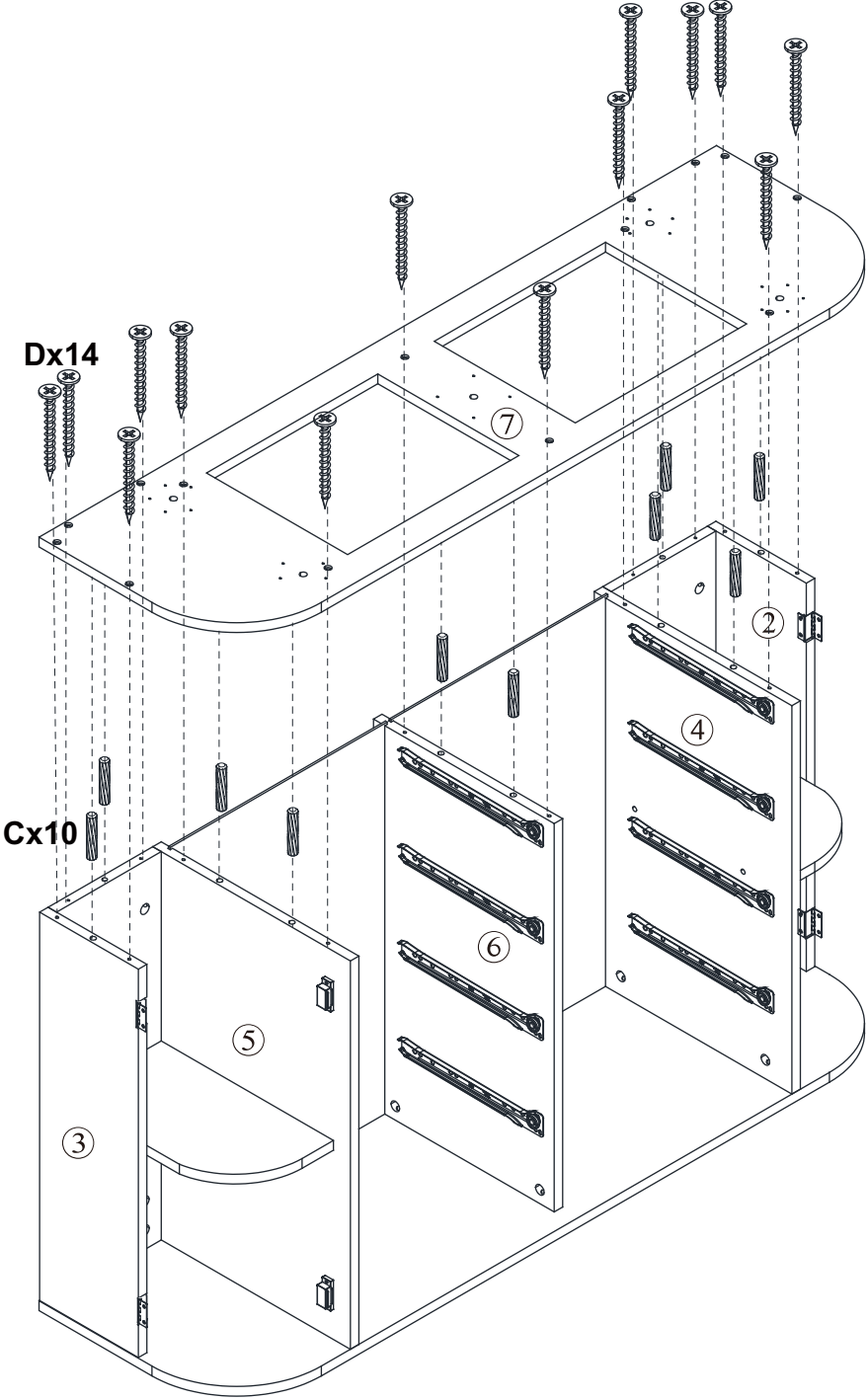


Step 6





Step 7


C	X10	D	X14
			

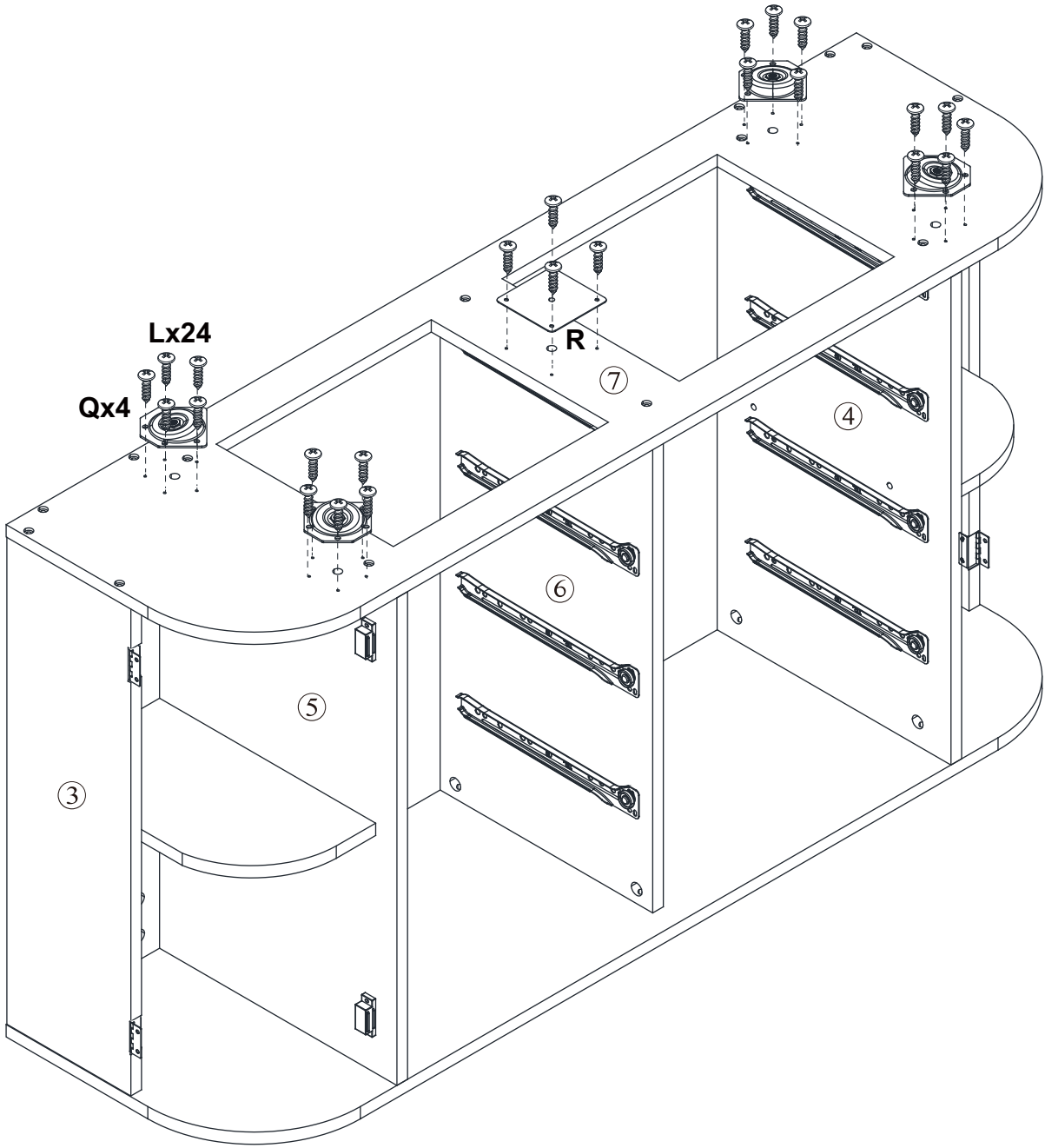


Step 8

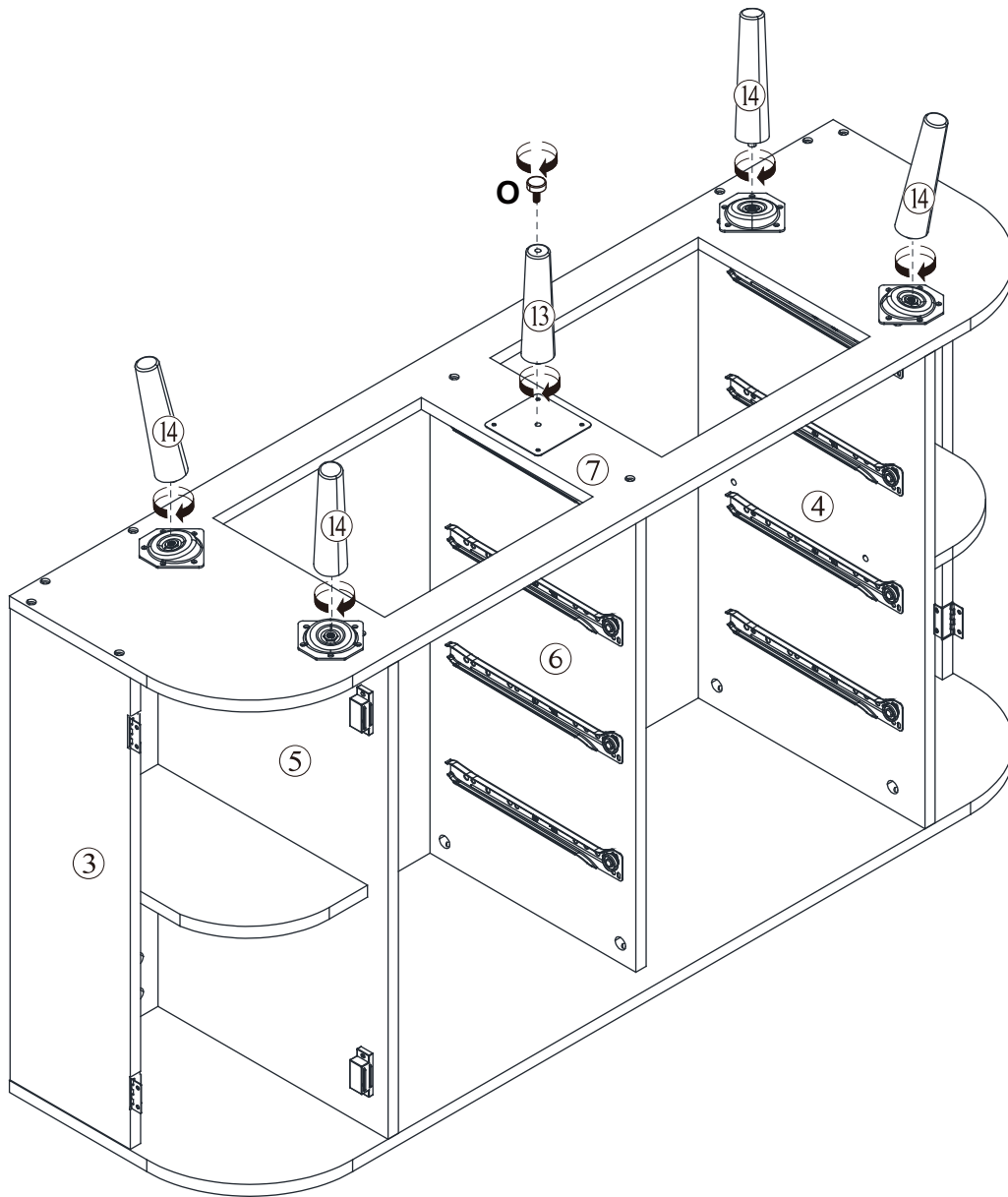
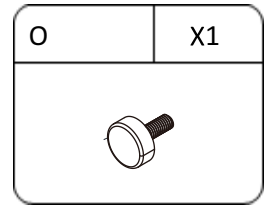
L	X24
	

Q	X4
	

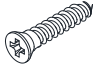

R	X1
	

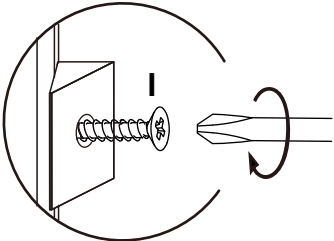
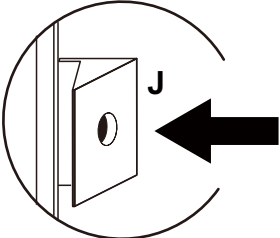
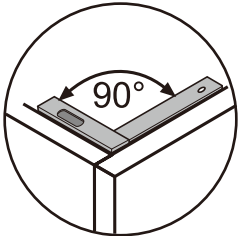
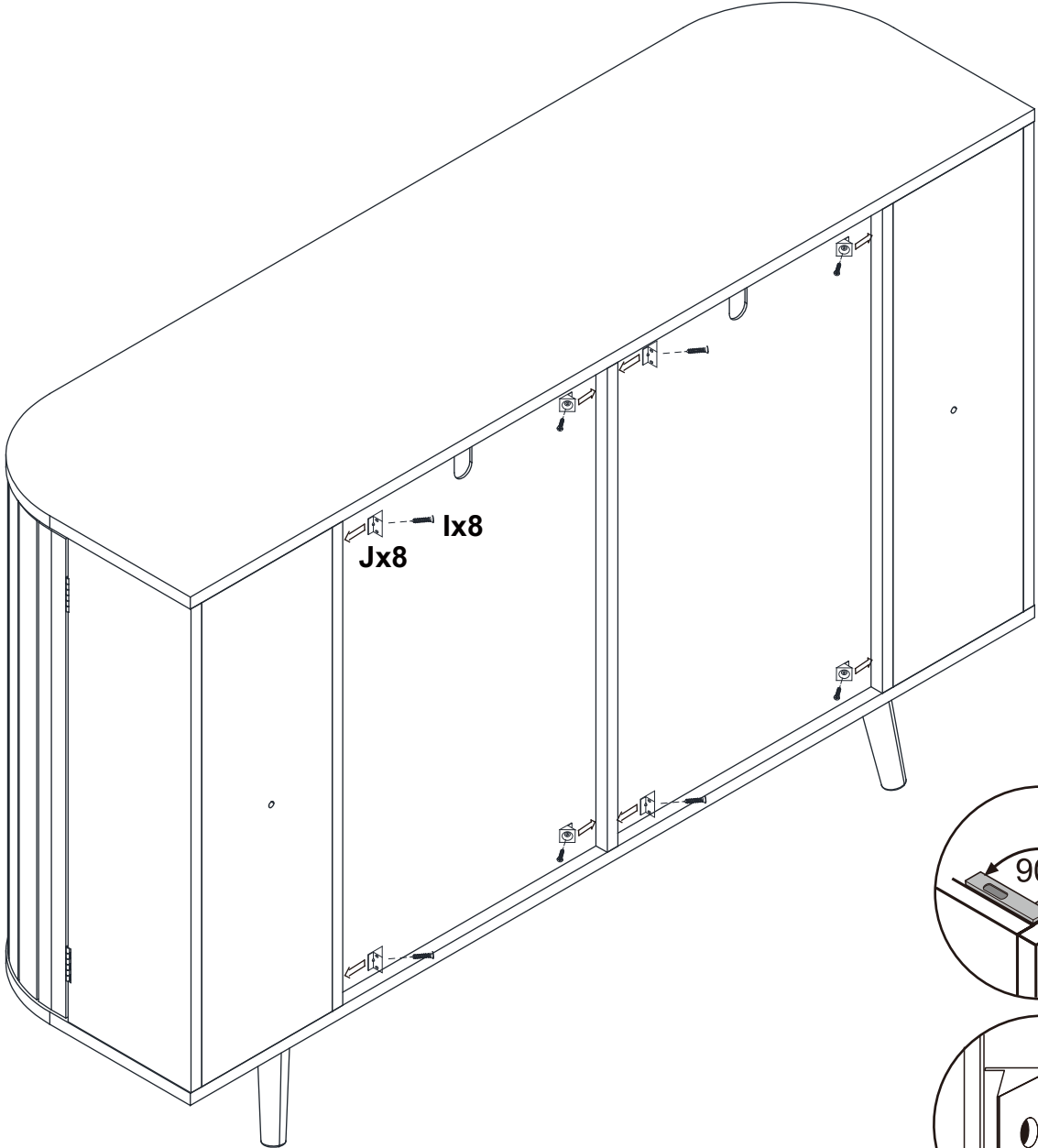


Step9

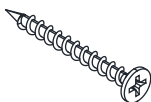
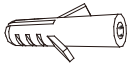


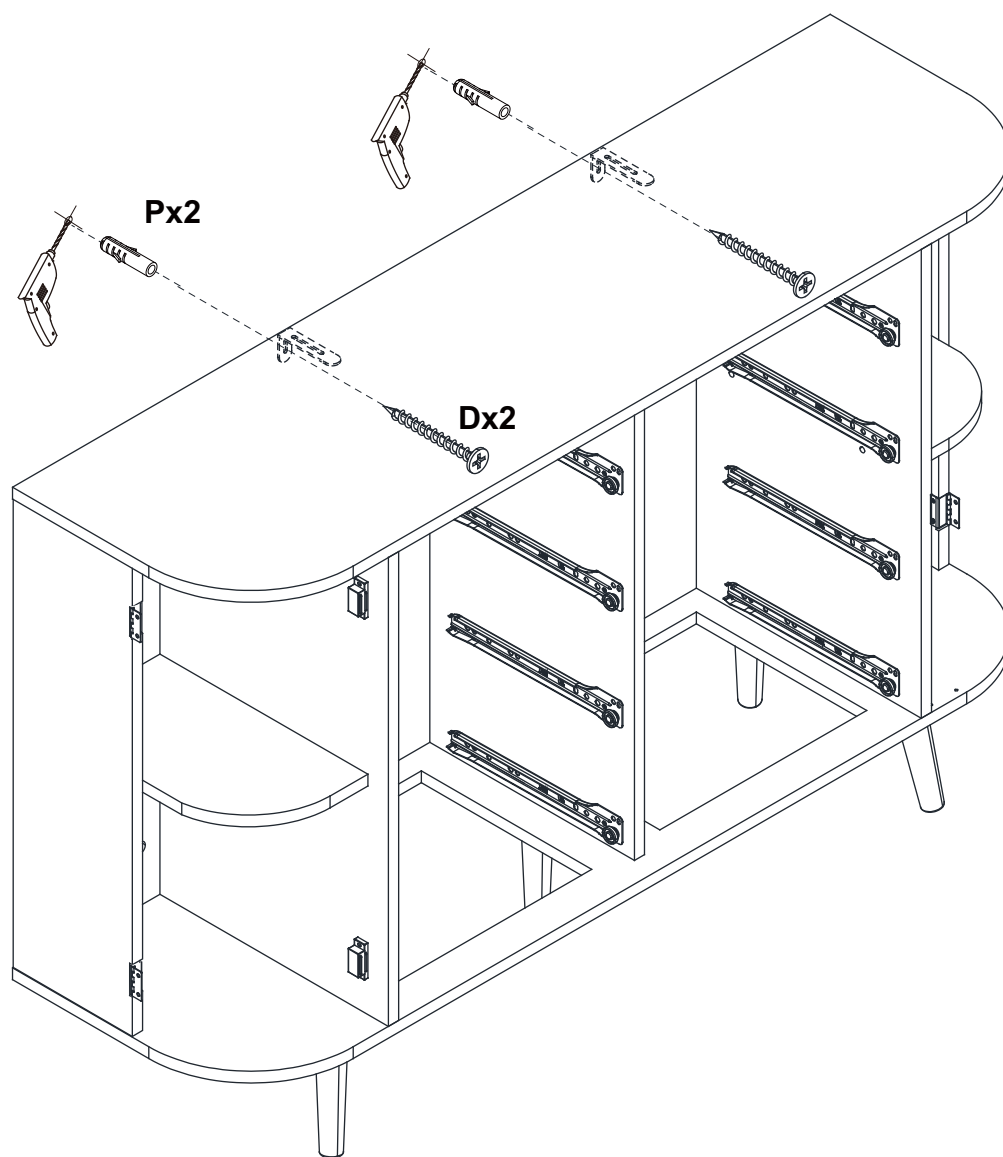
Step 10

I	X8	J	X8
			

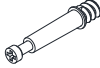



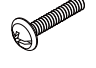


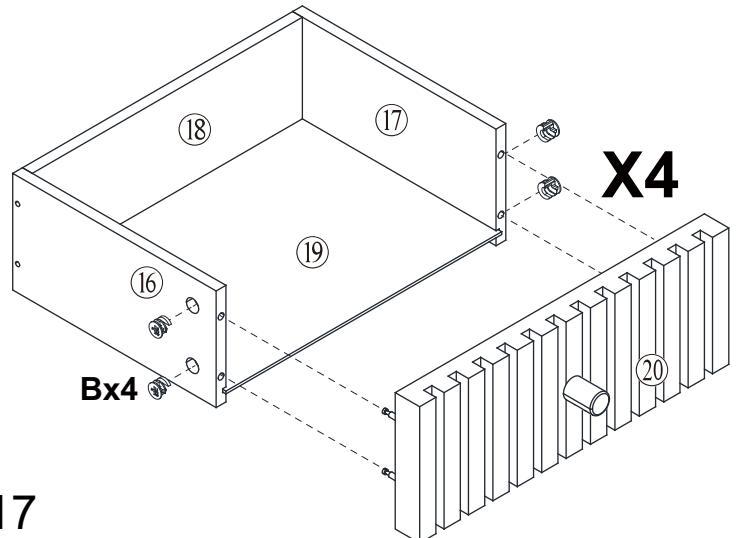
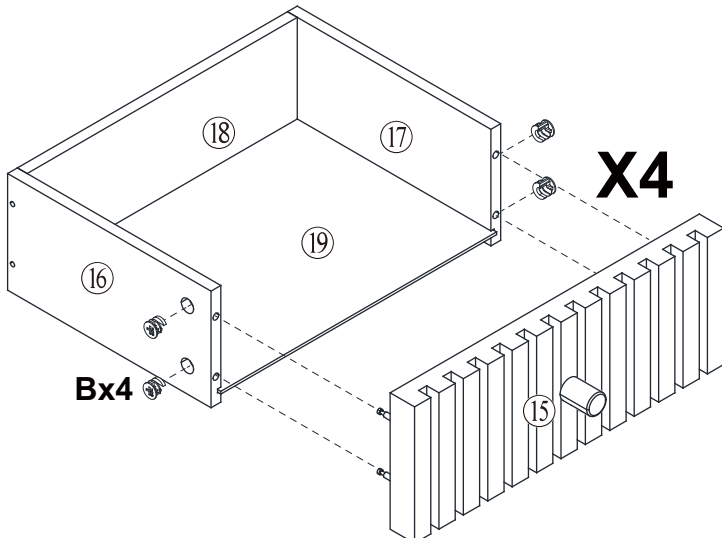
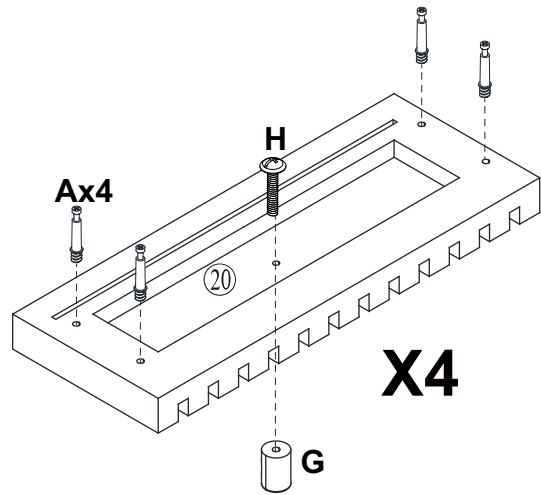
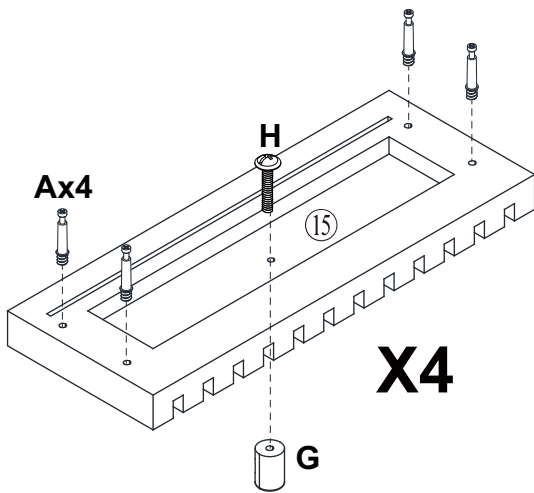
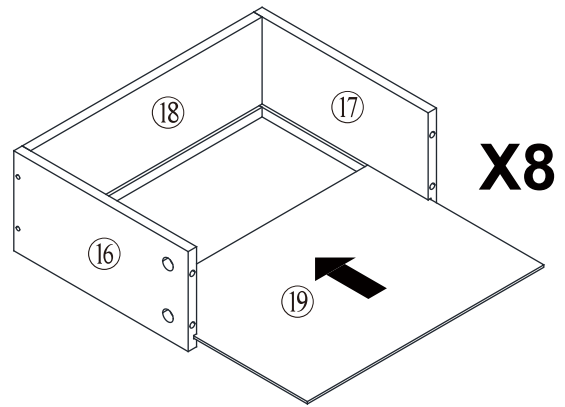
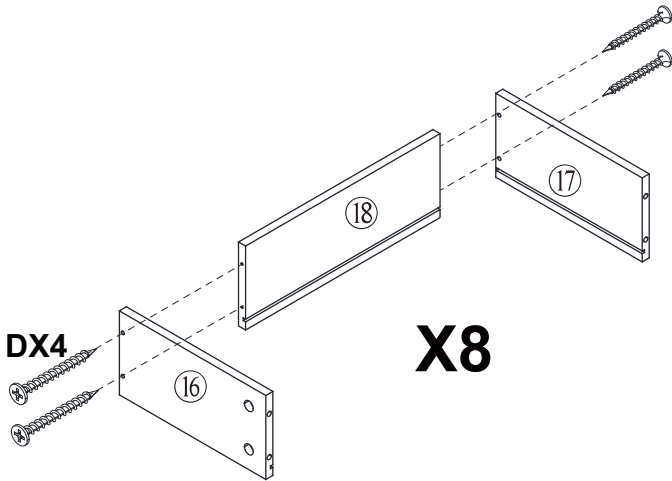
Step 11

D	X2	P	X2
			





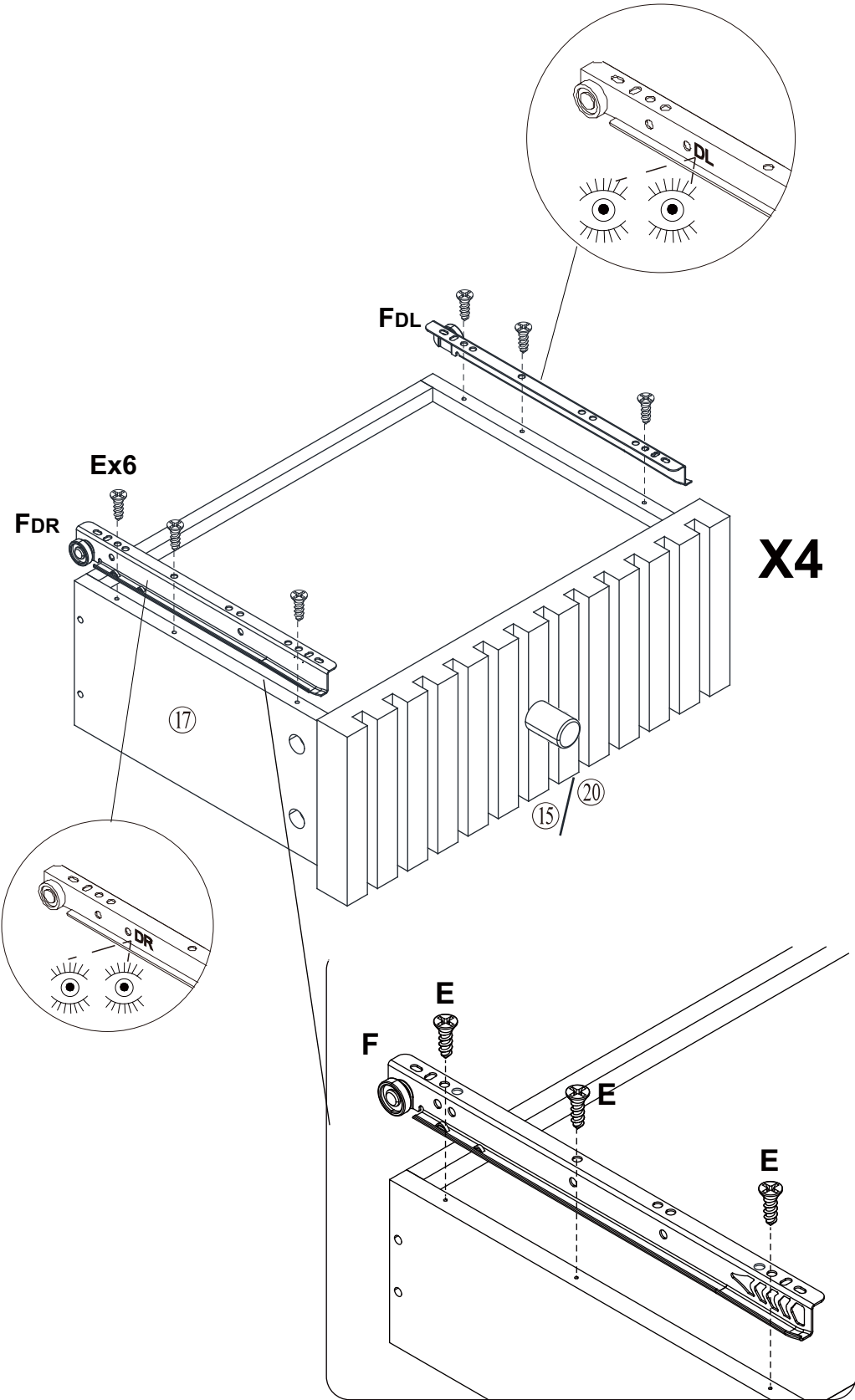
Step12

A	X32	B	X32	D	X32	G	X8	H	X8
									

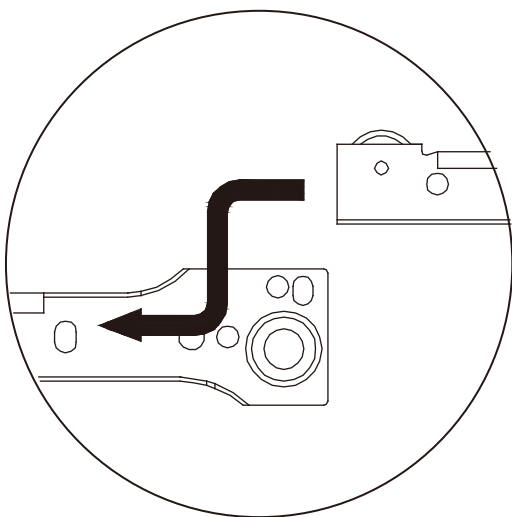
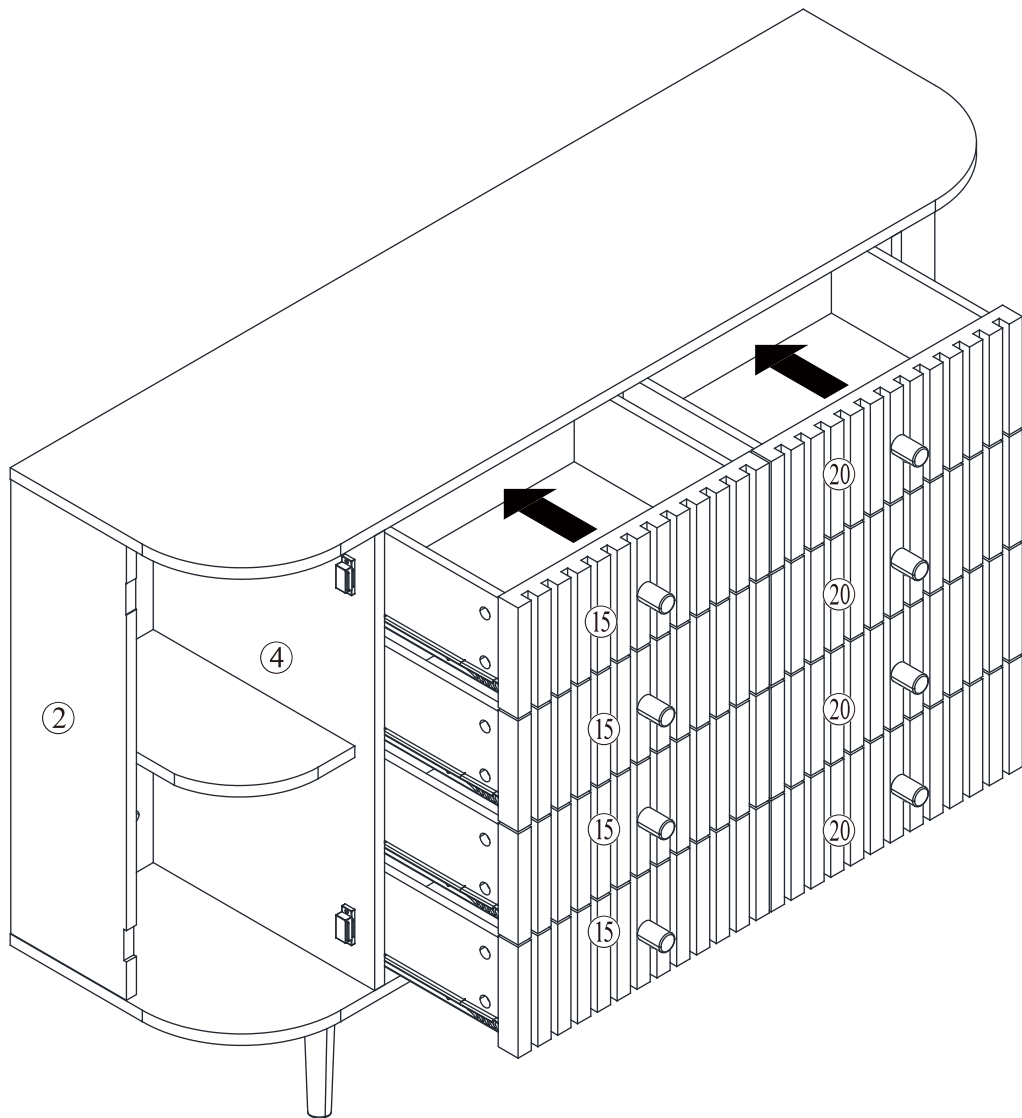


Step13

E	X48	F	X8
			



Step 14



Step 15

E	X16	G	X2	H	X2	S	X4
