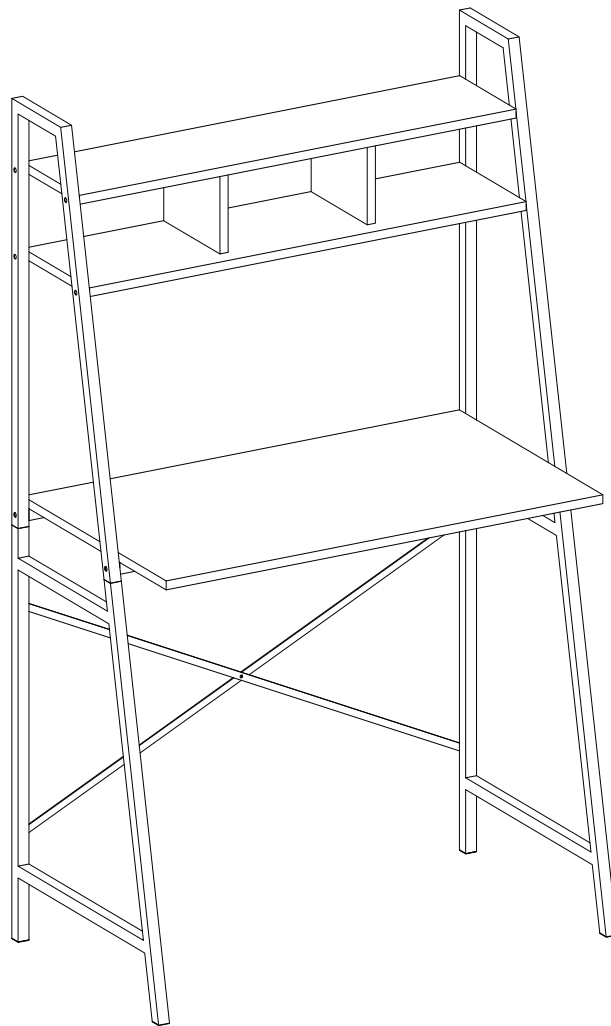
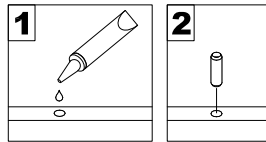


Assembly Instructions

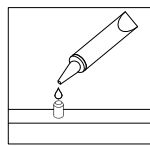


General Assembly Guidelines

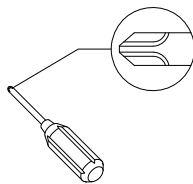
- I. Ensure that all parts and hardware are available before beginning assembly.
- II. Follow each step carefully to ensure the proper assembly of this product.
- III. Two people are recommended for ease in the assembly of this product.
- IV. The three main types of hardware used to assemble this product are: wood dowels, screws and bolts.
- V. The provided glue is to secure wood dowels in place. When first inserting dowels, locate the appropriate hole for the dowel, place a small amount of glue in the hole and insert the dowel. Wipe away excess glue immediately.



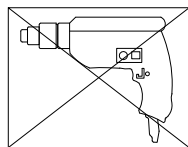
In future assembly steps when dowels are necessary to attach assembly parts together, place a small amount of glue on the end of the dowel before attaching parts together. Wipe away excess glue immediately.



- VI. A Phillips head screwdriver is required for the assembly of this product .

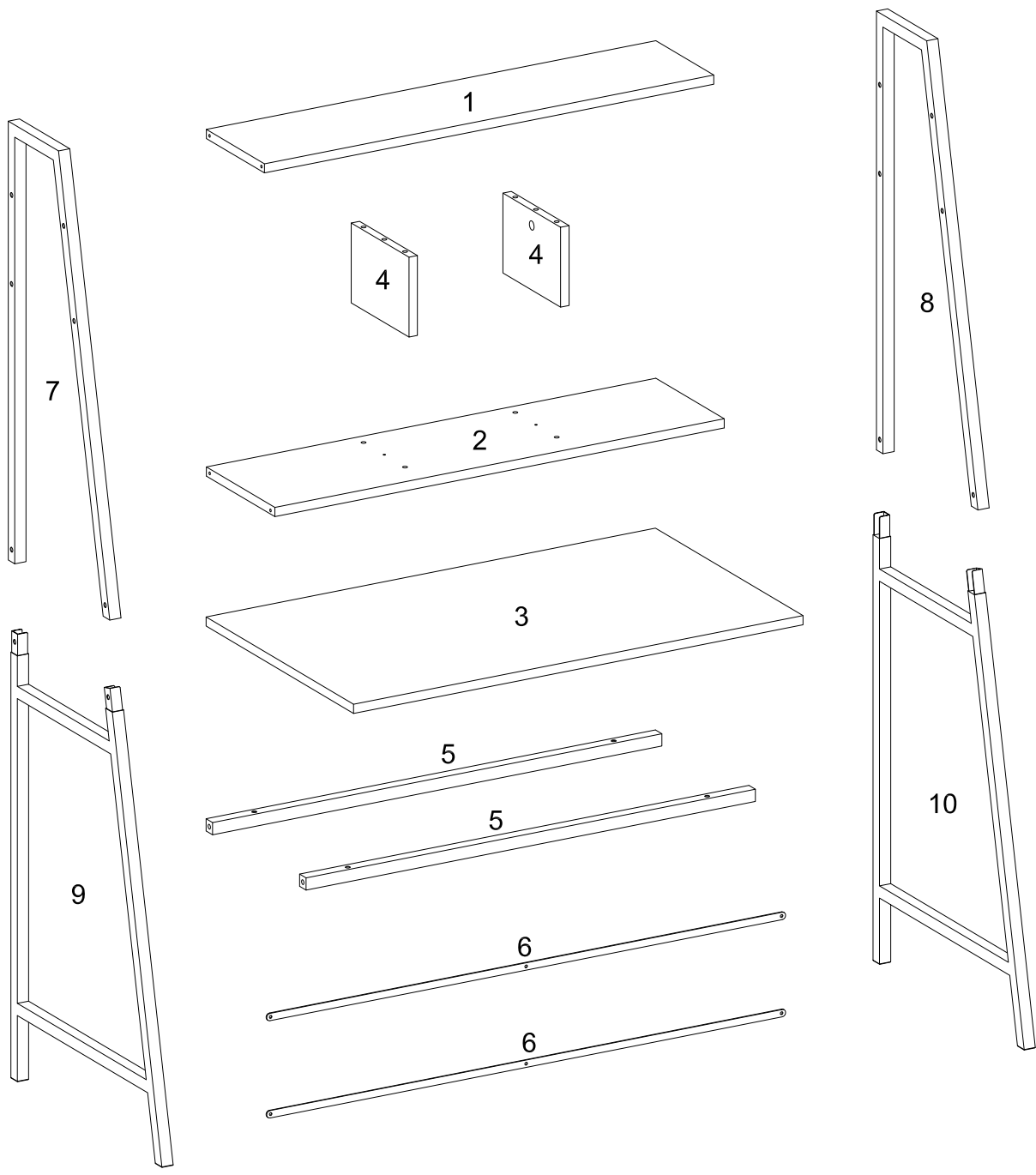


- VII. Power tools should not be used to assemble this product.



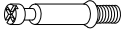



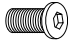


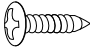



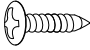

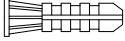

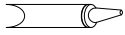


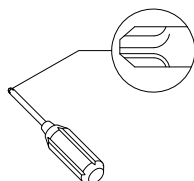
- VIII. Drill may be needed for securing product to wall.

Parts List



Hardware List

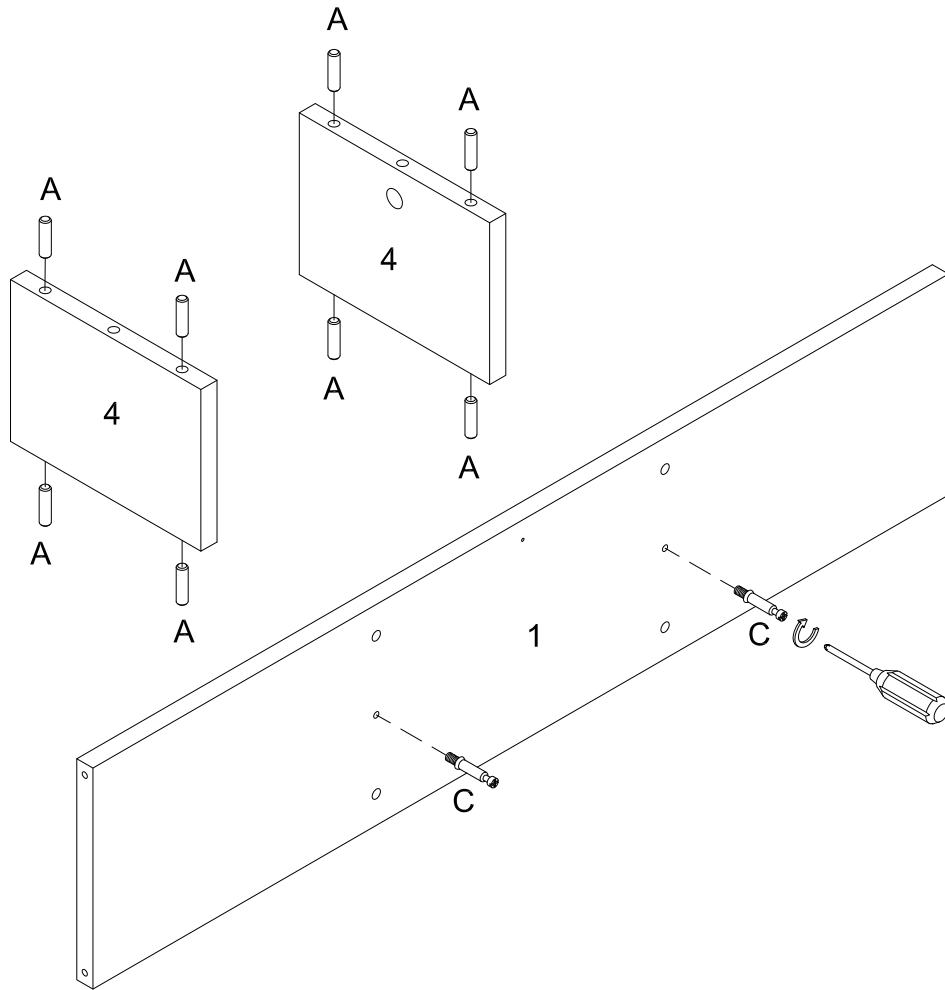
A		Ø8x30mm	Wooden dowel	8 pcs
B		Ø15x11mm	Cam lock	2 pcs
C		Ø8x35mm	Cam bolt	2 pcs
D			Sticker	2 pcs
E		Ø6x50mm	Screw	10 pcs
F		M 4	Hex Key	1 pc
G		Ø1/4"x15mm	Bolt	1 pc
H		Ø1/4"x30mm	Bolt	4 pcs
J			Bracket	1 pc
K		Ø4x12mm	Screw	4 pcs
L		M4x10mm	Screw	1 pc
M		Ø16x6.5x1.0mm	Flat washer	1 pc
N			Wrench	1 pc
P		Ø4x30mm	Screw	1 pc
Q			Nut	1 pc
R			Wall anchor	1 pc
S		Ø1/4"x50mm	Bolt	4 pcs
T			Glue tube	1 pc



Philips head screwdriver required for assembly
(not included)

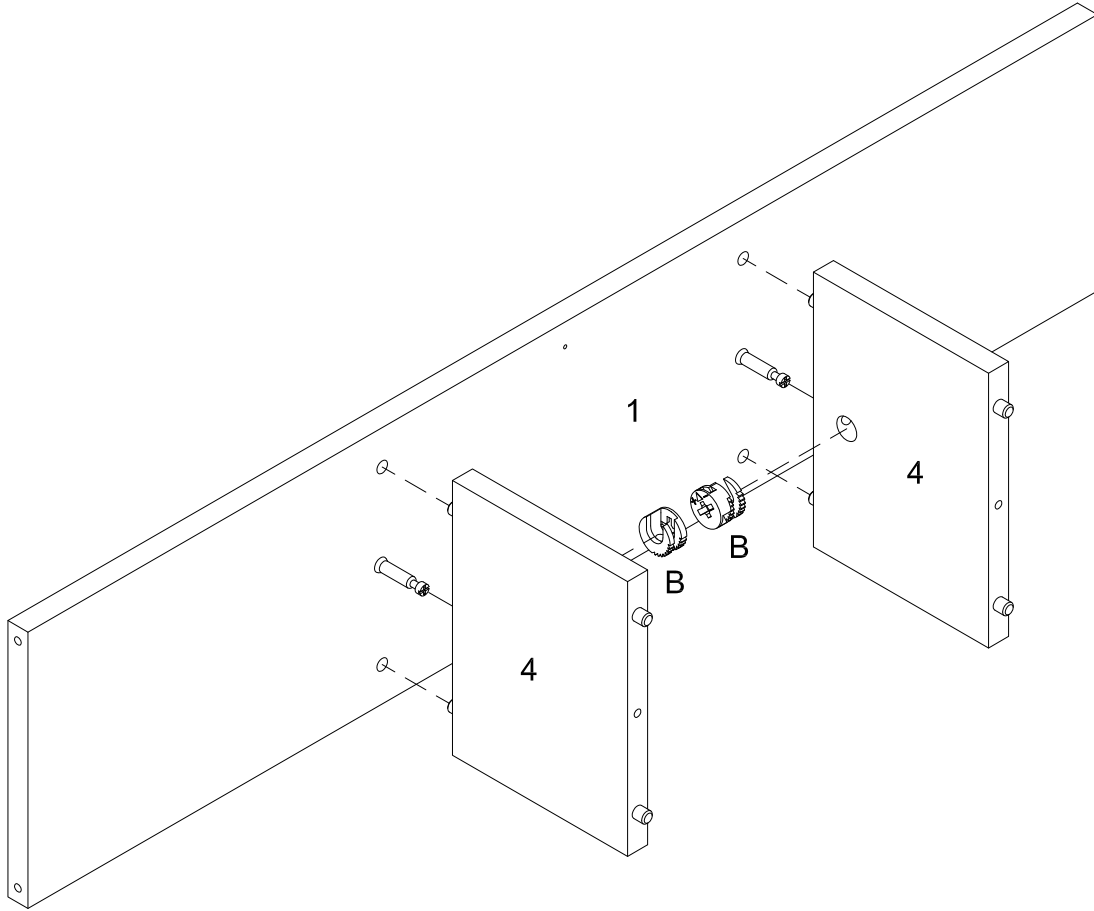
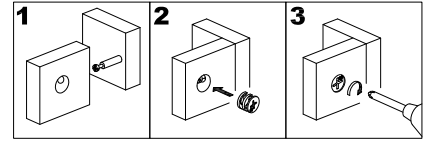
*The hardware quantities listed above are required for proper assembly.
Some extra hardware may also have been included.*

Step 1



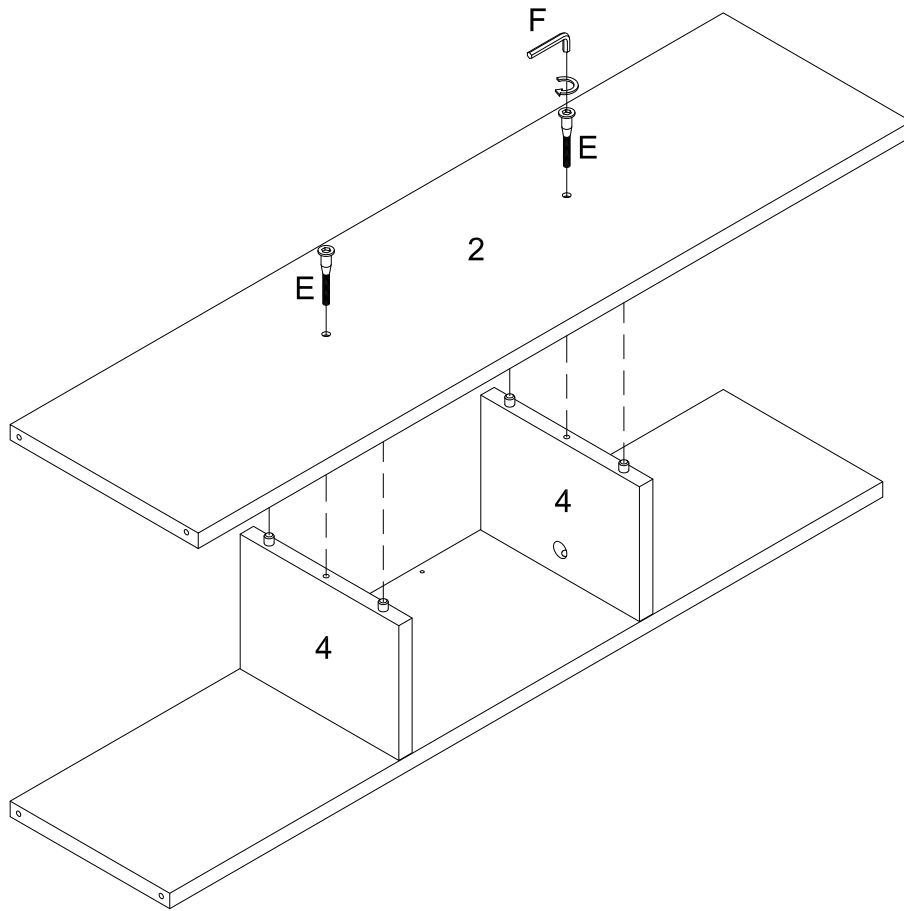
Insert wooden dowel (A) into part (4) ,then secure cam bolt (C) into part (1) with Philips head screwdriver as per diagram.

Step 2



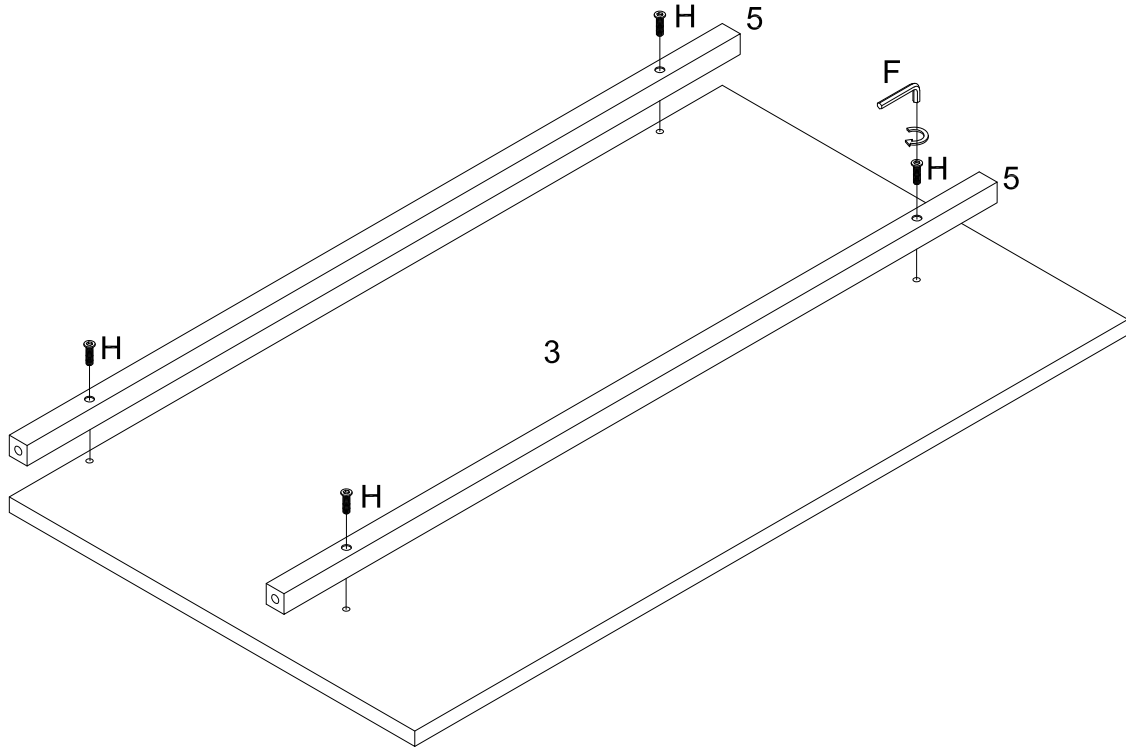
Using cam lock (B) secure part (4) into part (1) with Philips head screwdriver as per diagram.

Step 3



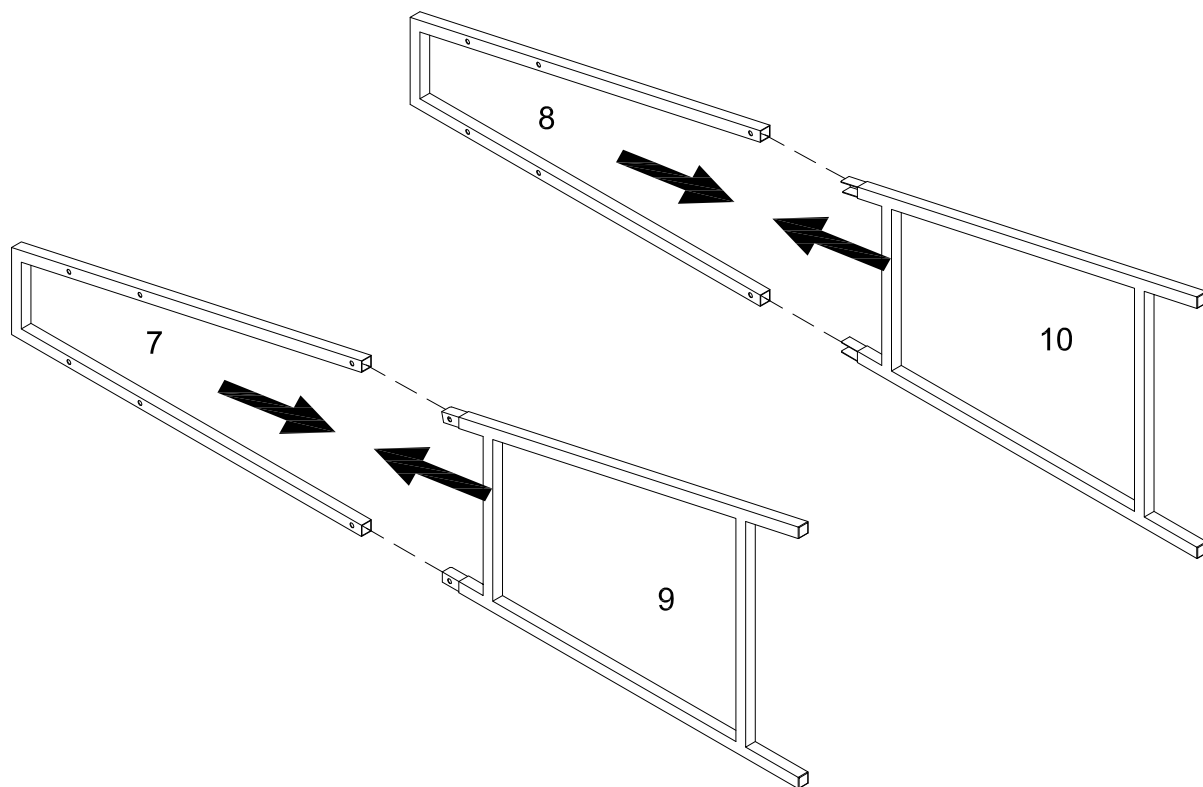
Using screw (E) attach part (2) into part (4) with hex key (F) as per diagram.

Step 4



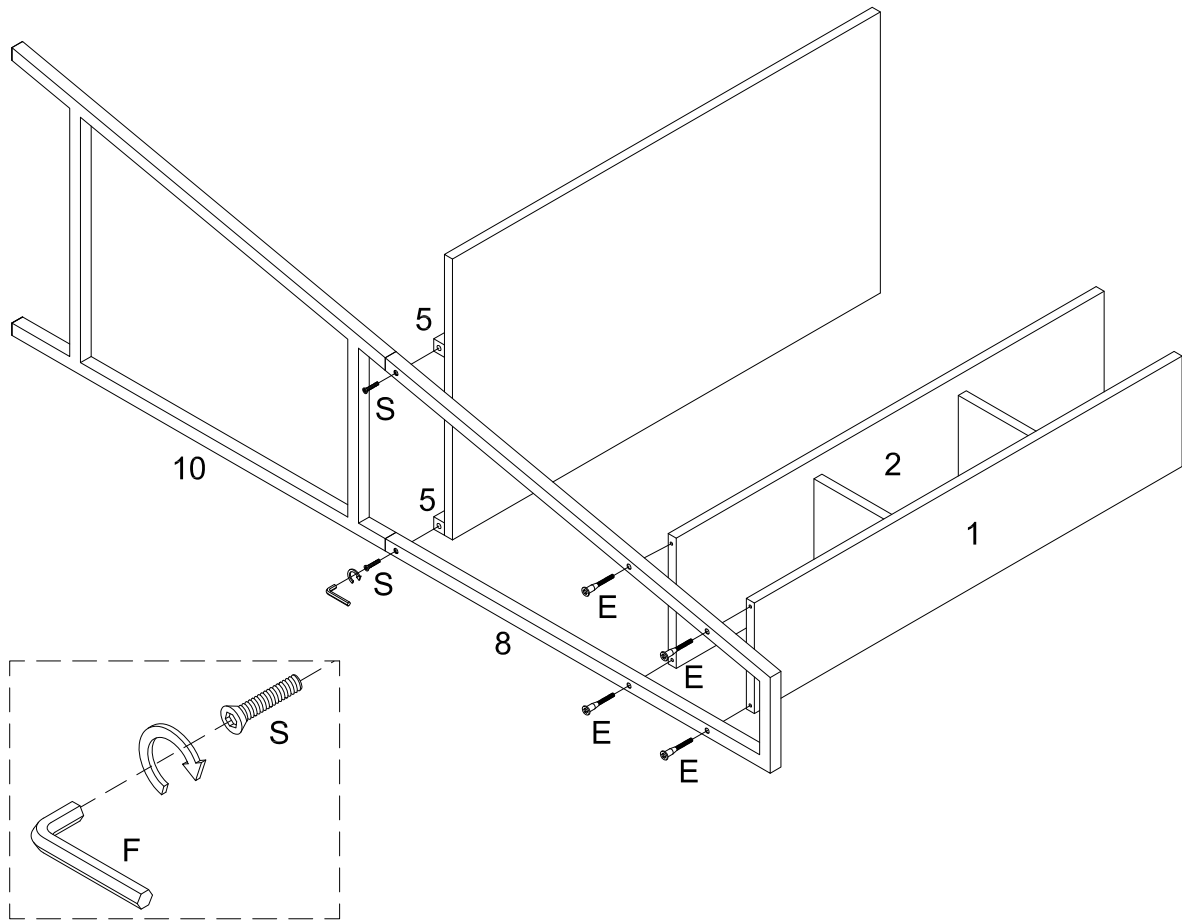
Using bolt (H) attach part (5) into part (3) with hex key (F) as per diagram.
Note : Do not fully tighten all bolts .

Step 5



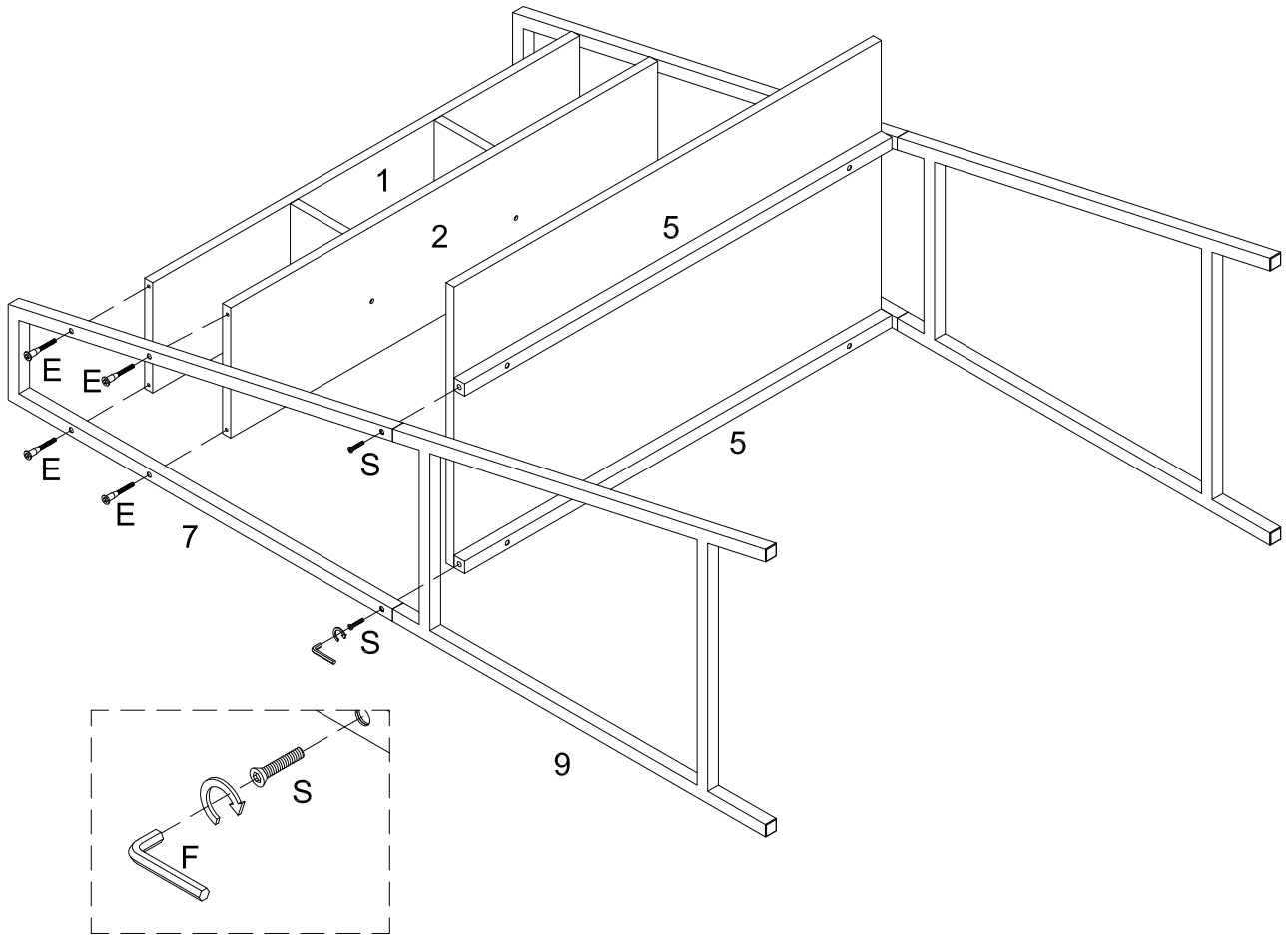
Put part (9) into part (7) , part (10) into part (8) as per diagram.

Step 6



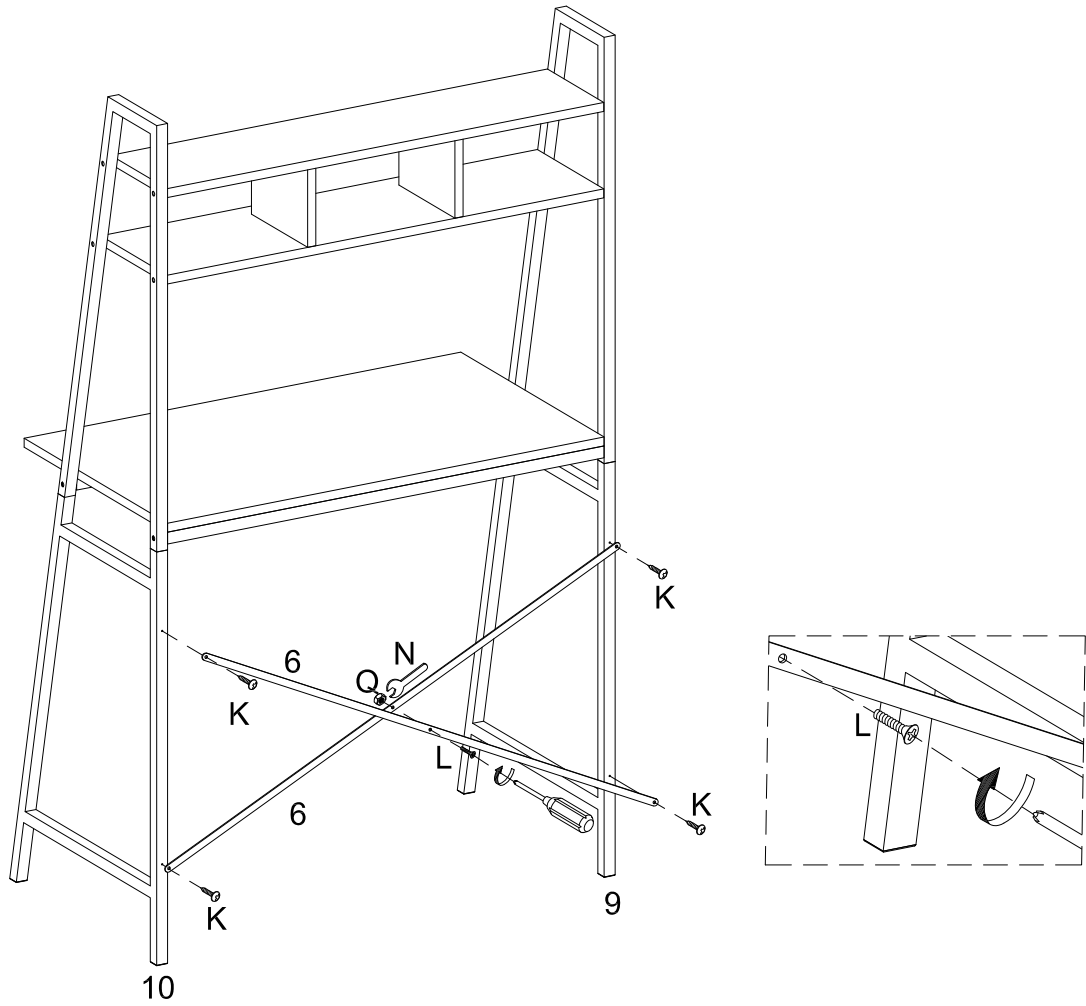
Using screw (S) attach parts (8,10) to part (5) ,then using screw (E) attach parts (8) to parts (1,2) , with hex key (F) as per diagram.

Step 7



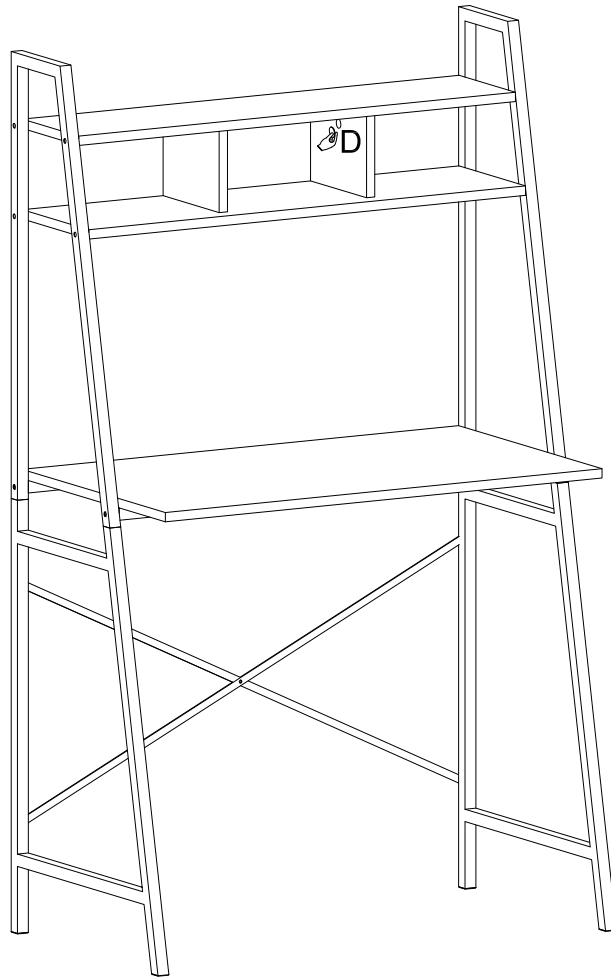
Using bolt (S) and screw (E) attach side frame to parts (1,2,5) with hex key (F) as per diagram.

Step 8



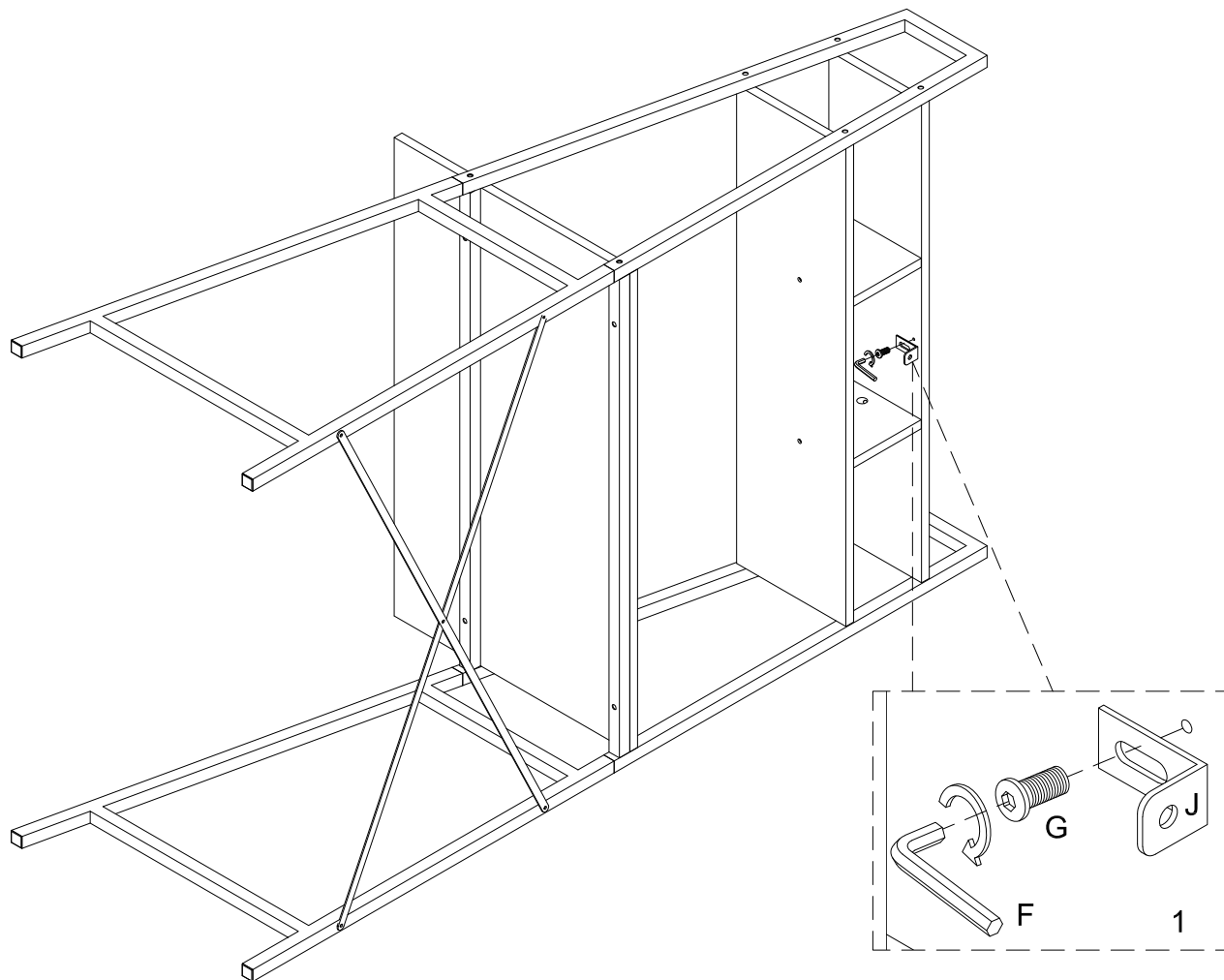
Using screw (K) attach part (6) to part (9) with Philips head screwdriver ,then using screw (L) secure both parts (6) with Nut (Q) and Wrench (N) as per diagram.

Step 9



Place sticker (D) cover the hole as per diagram .

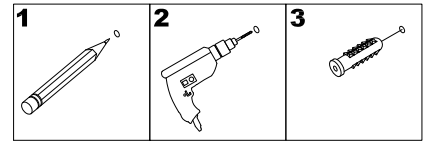
Step 10



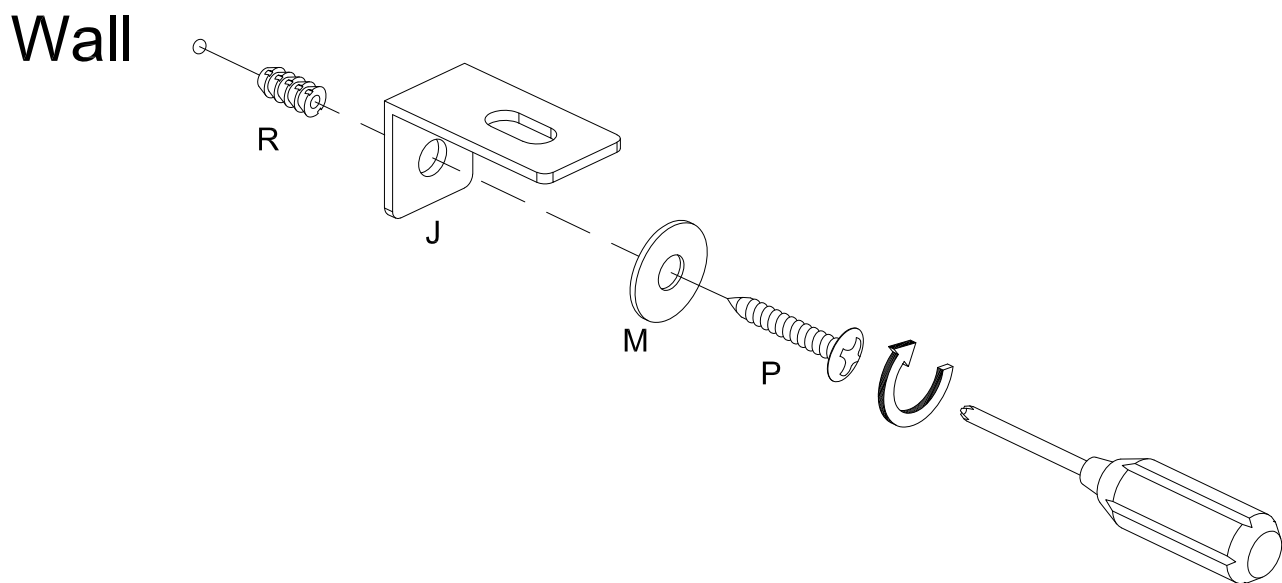
Using bolt (G) attach bracket (J) to part (1) with hex key (F) as per diagram.
Note:Fully tighten all bolts.

Step 11

WARNING

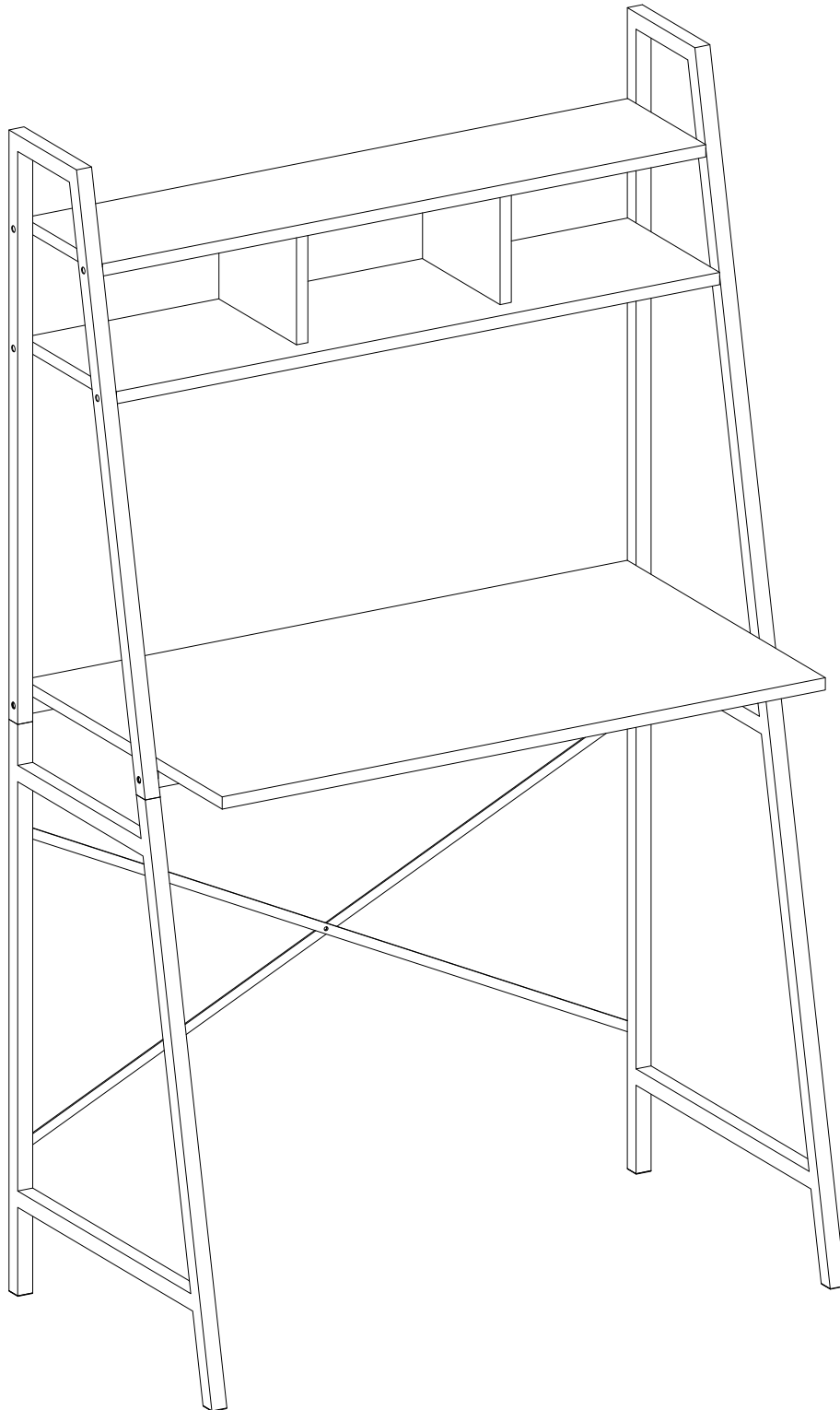


Serious or fatal injuries can occur from furniture tipping over. To prevent the furniture from tipping over we recommend that it is permanently fixed to the wall. Wall anchor and hardware are included with this product. Please make sure hardware is suitable for your walls before installing, as different wall materials may require different types of anchors.



Using screw (P) attach Flat washer (M) to bracket (J) to Wall anchor (R) to wall with Philips head screwdriver as per diagram.

Step 12



Final Assembly