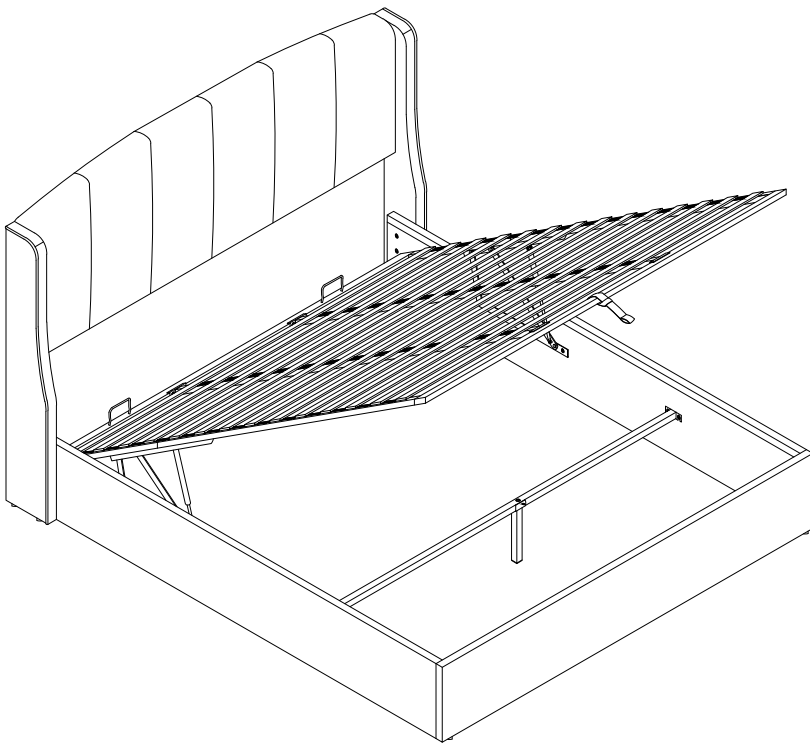


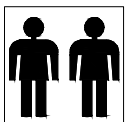
ASSEMBLY INSTRUCTION



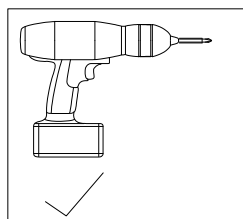
Please **TEAR OFF** this shrink film from side! **DO NOT USE CUTTER!**

IMPORTANT NOTE

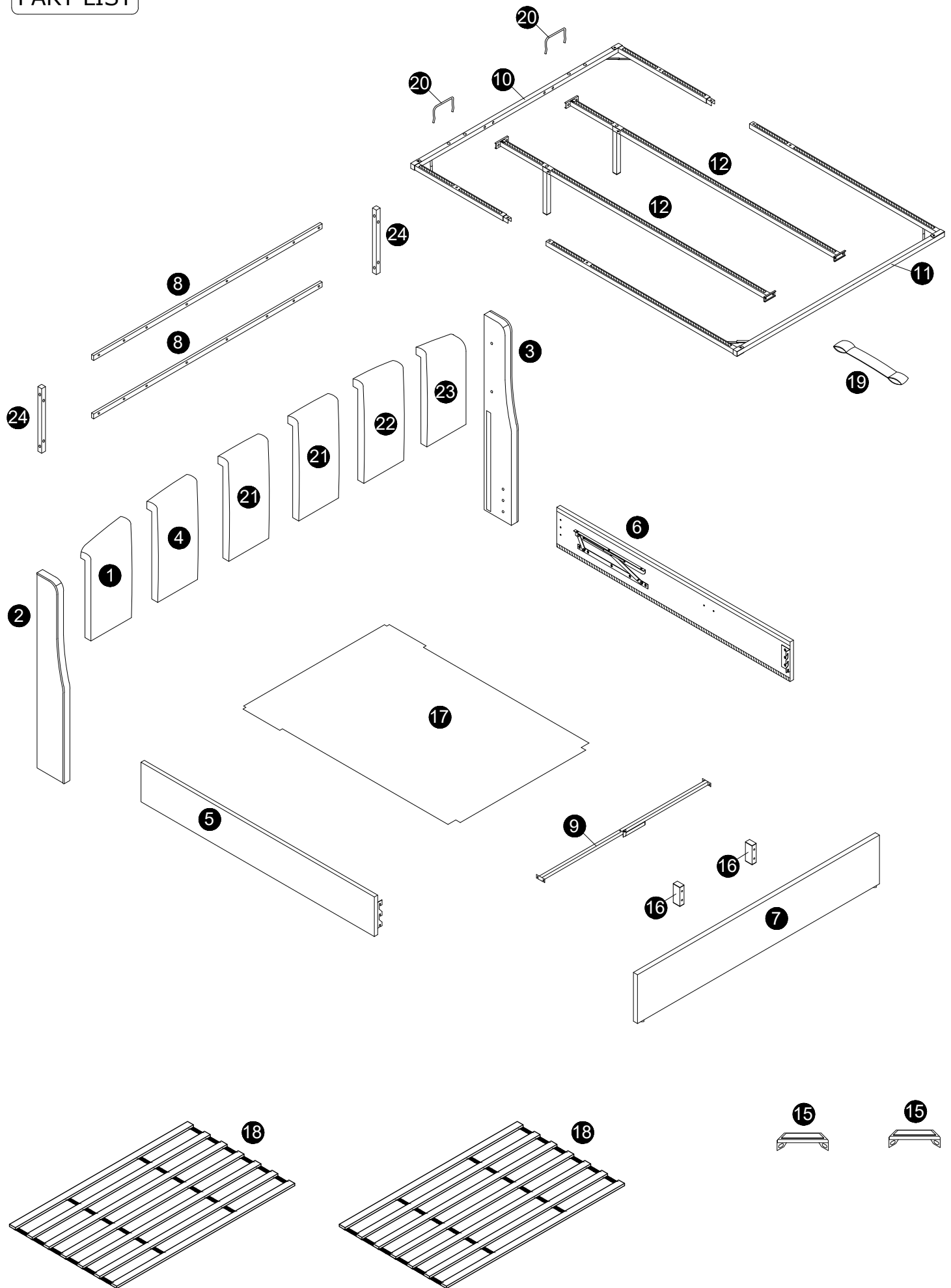
1. For the protection of your furniture, place all parts on a clean and smooth surface to prevent any damage.
2. Keep fittings out of children's reach and keep children well away from construction area.
3. When moving your assembled bed, it is best to lift the bed and never to drag it.
4. Do not use this product if parts are missing, damaged or worn.
5. This product should only be used on firm, level ground.
6. Please periodically check all fittings and re-tighten as necessary.
7. Do not use the bed unless all bolts and screws are firmly secured.
8. For further assistance, please provide a screenshot of your order and contact us via email us.



Minimum two person assembly

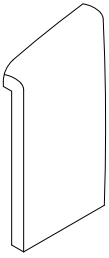


PART LIST



PART LIST

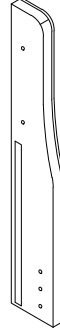
1 x 1pc



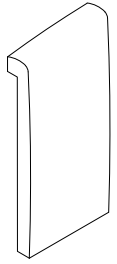
2 x 1pc



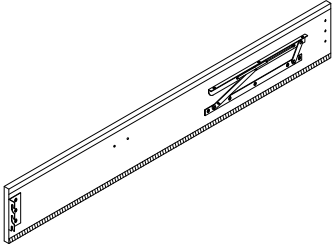
3 x 1pc



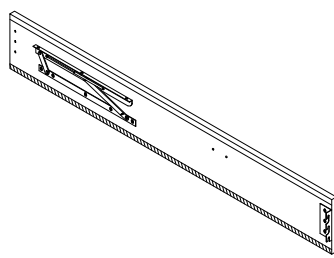
4 x 1pc



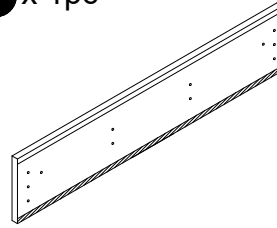
5 x 1pc



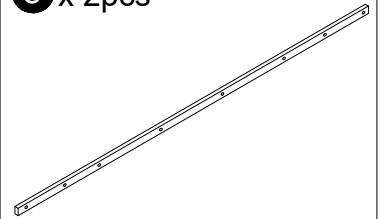
6 x 1pc



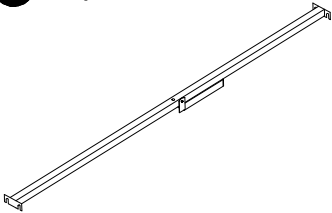
7 x 1pc



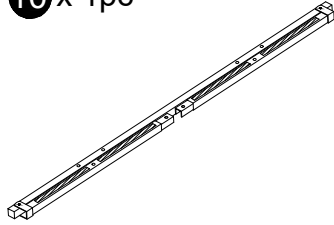
8 x 2pcs



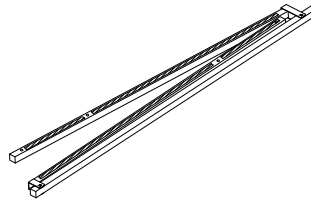
9 x 1pc



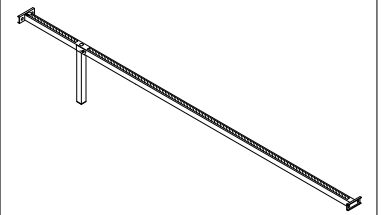
10 x 1pc



11 x 1pc



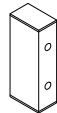
12 x 2pcs



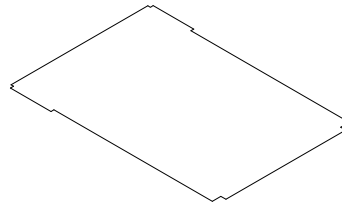
15 x 2pcs



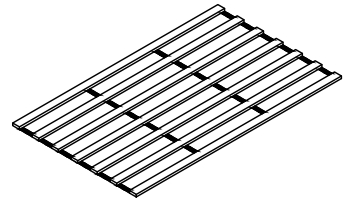
16 x 2pcs



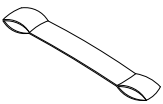
17 x 1pc



18 x 2pcs



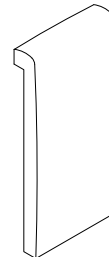
19 x 1pc



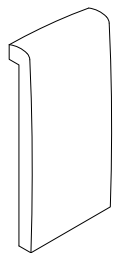
20 x 2pcs



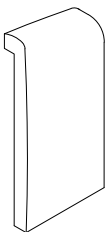
21 x 2pcs



22 x 1pc



23 x 1pc


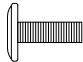




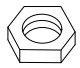



24 x 2pcs

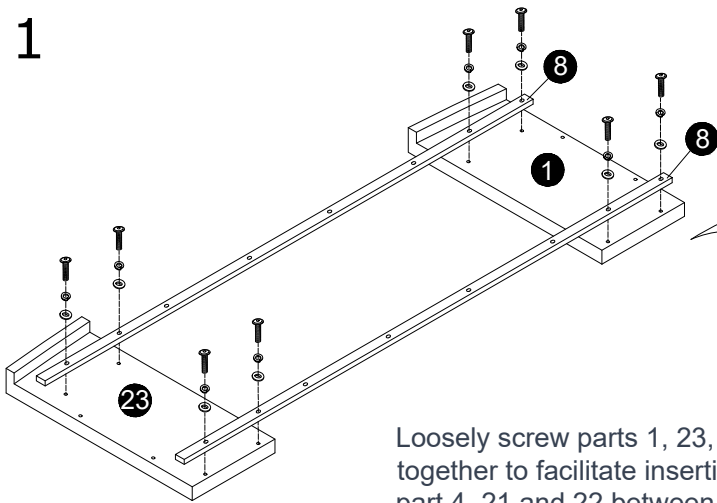


Please ensure to thoroughly inspect the small inner cardboard box containing the hardware, which are tied with a red string, before disposing of the box.

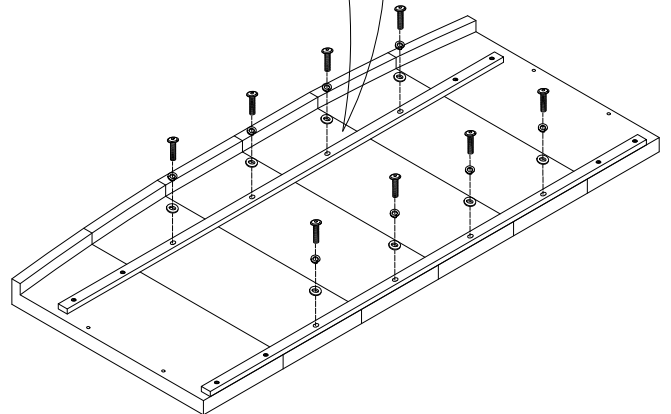
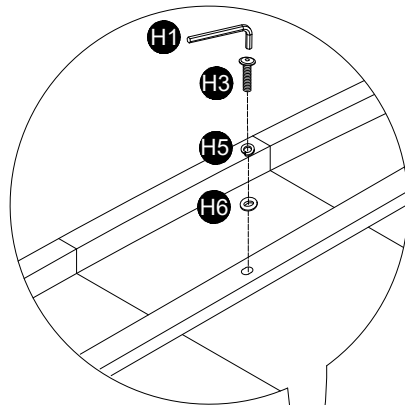
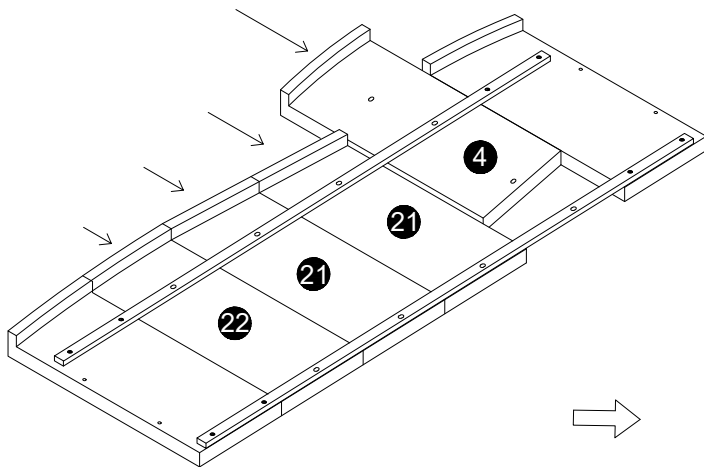
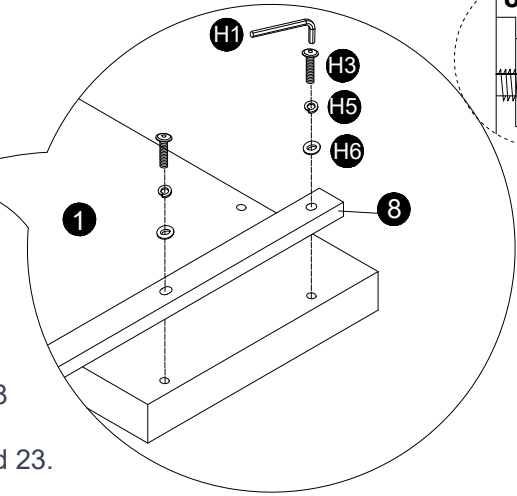
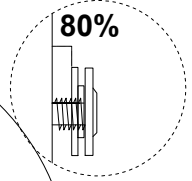
HARDWARE LIST

			
H1 M5 x 1pc	H2 M8x25mm x 22pcs	H3 M8x45mm x 33pcs	H4 M8x60mm x 10pcs
			
H5 M8 x 22pcs	H6 M8x22mm x 22pcs	H7 M8 x 6pcs	H8 M14 x 1pc

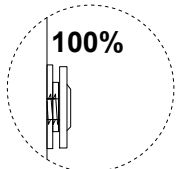
1



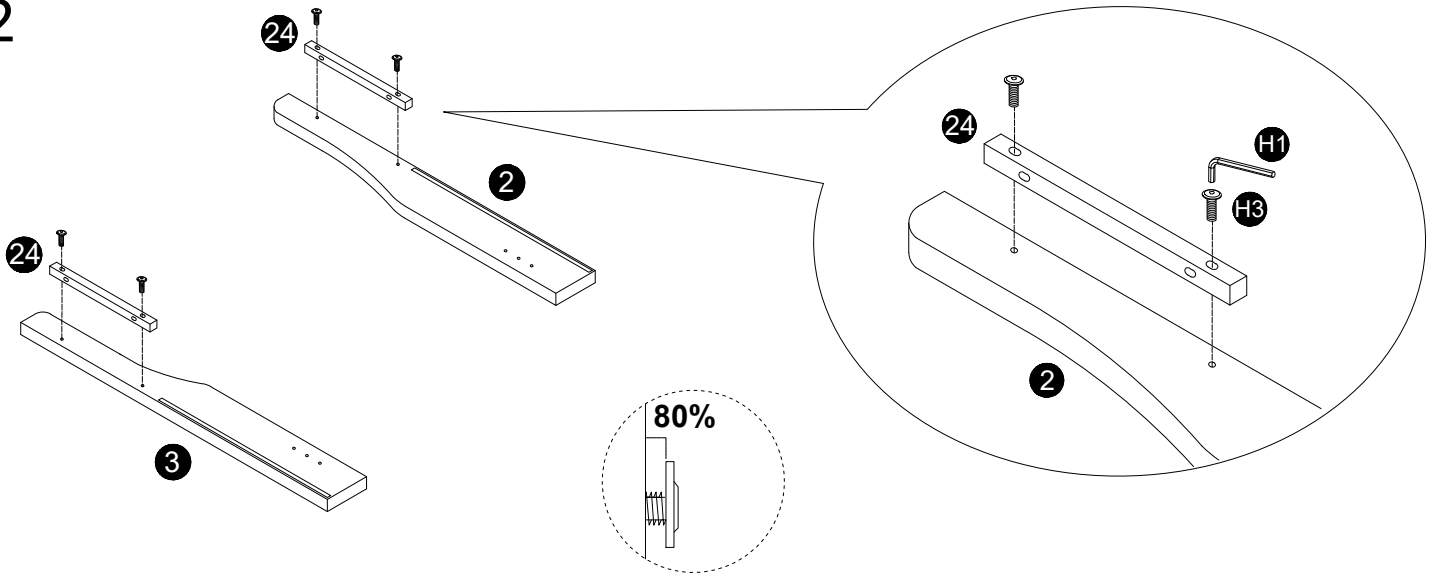
Loosely screw parts 1, 23, and 8 together to facilitate inserting part 4, 21 and 22 between 1 and 23. Tightening the screws too much will make it difficult to insert part 4, 21 and 22.



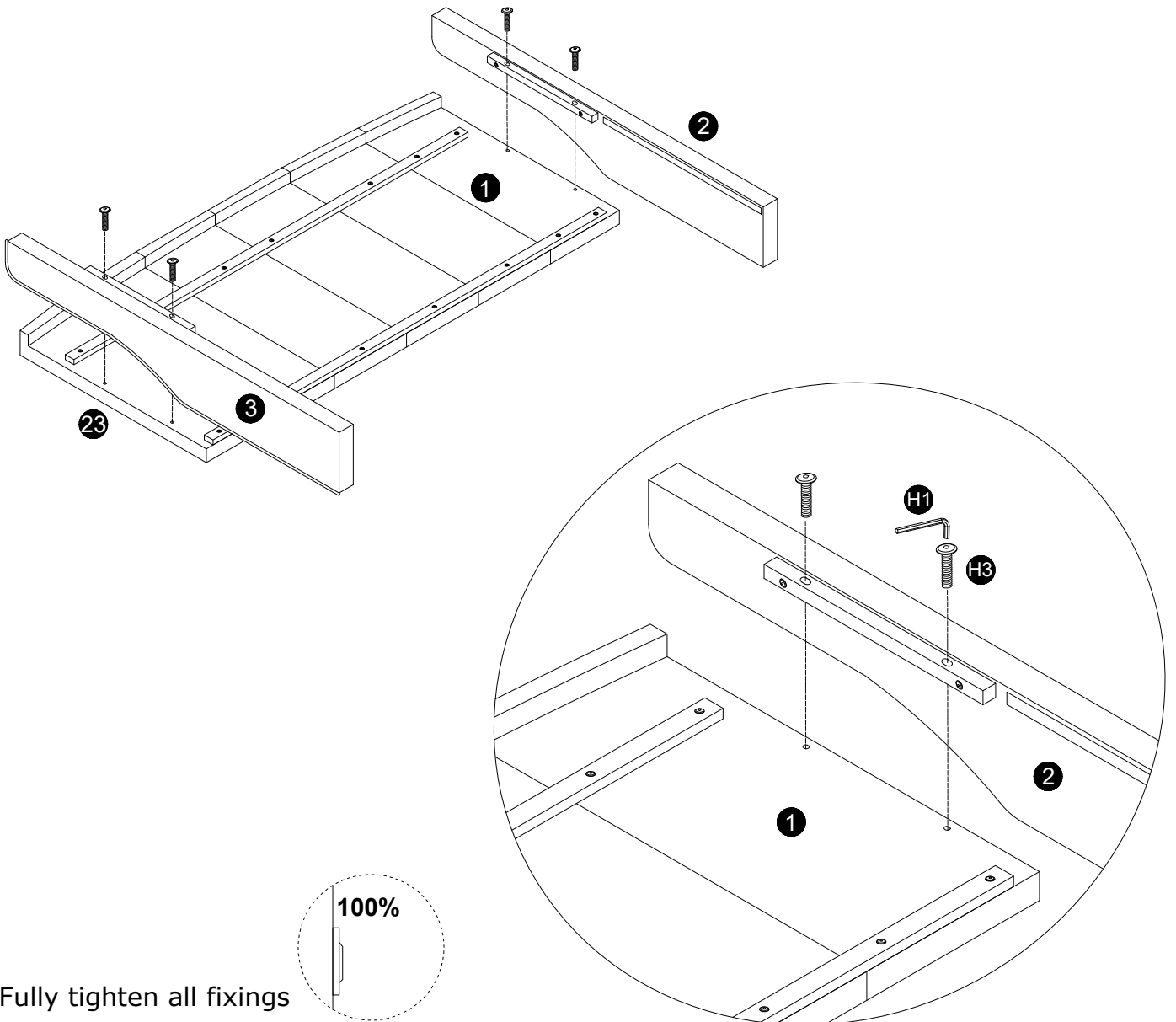
After securing "part 4, 21 and 22" components onto "part 8", proceed to tighten parts 1 and 23.



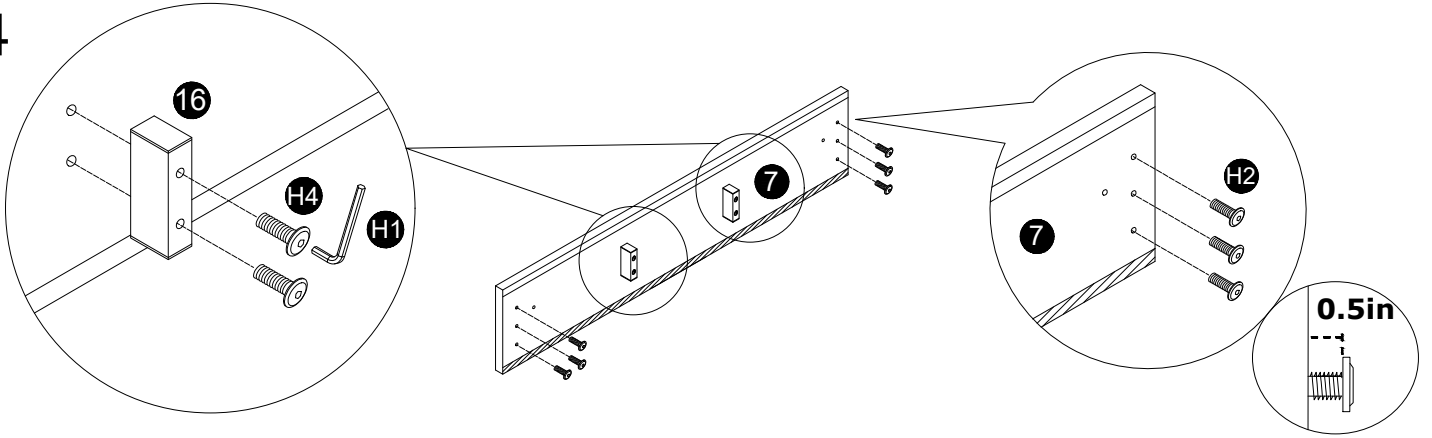
2



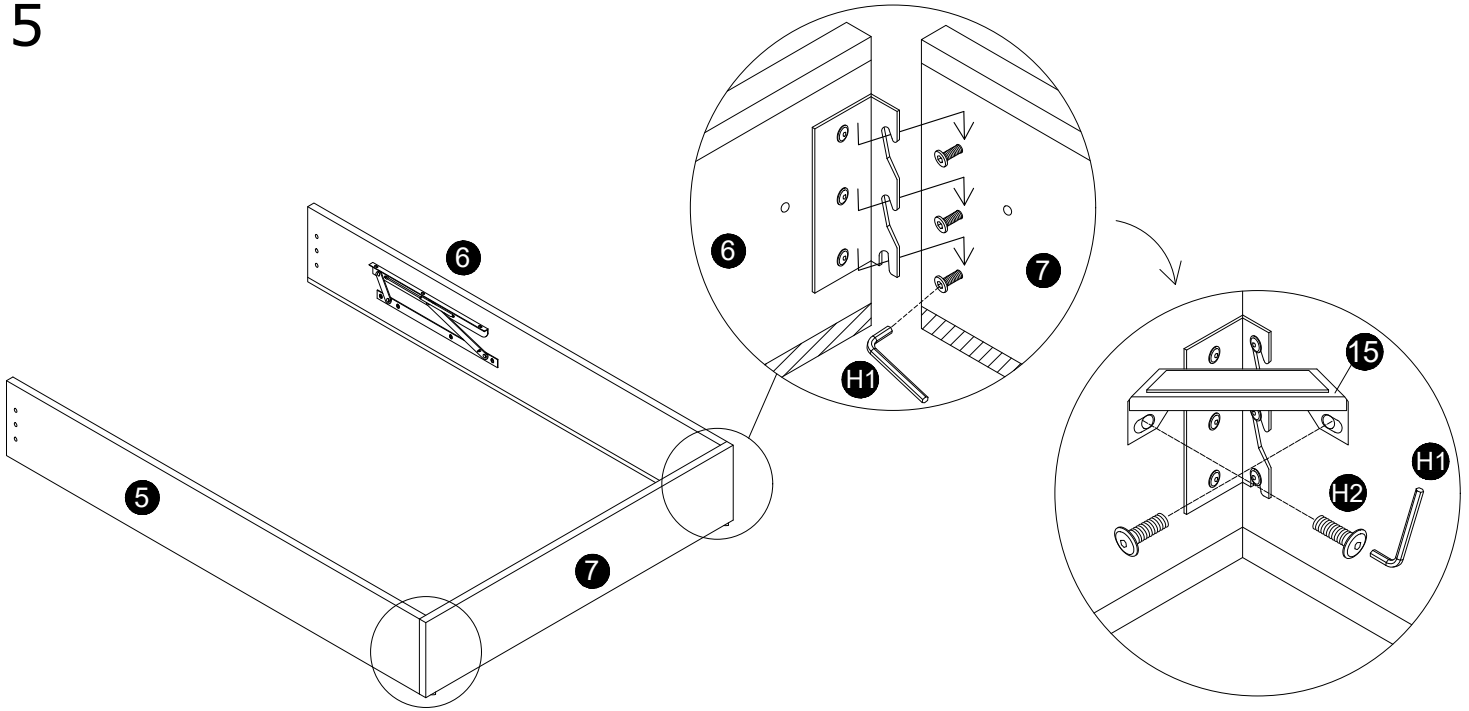
3



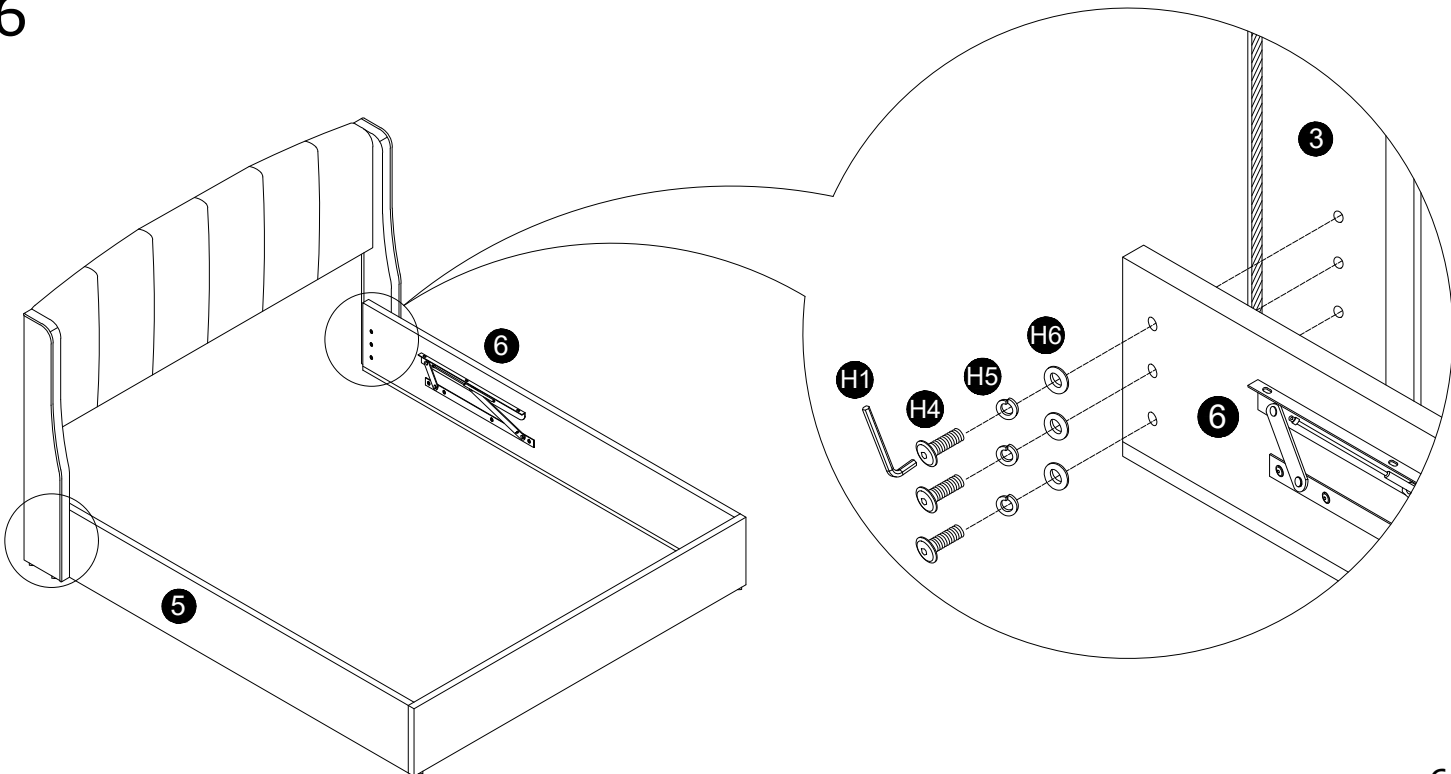
4



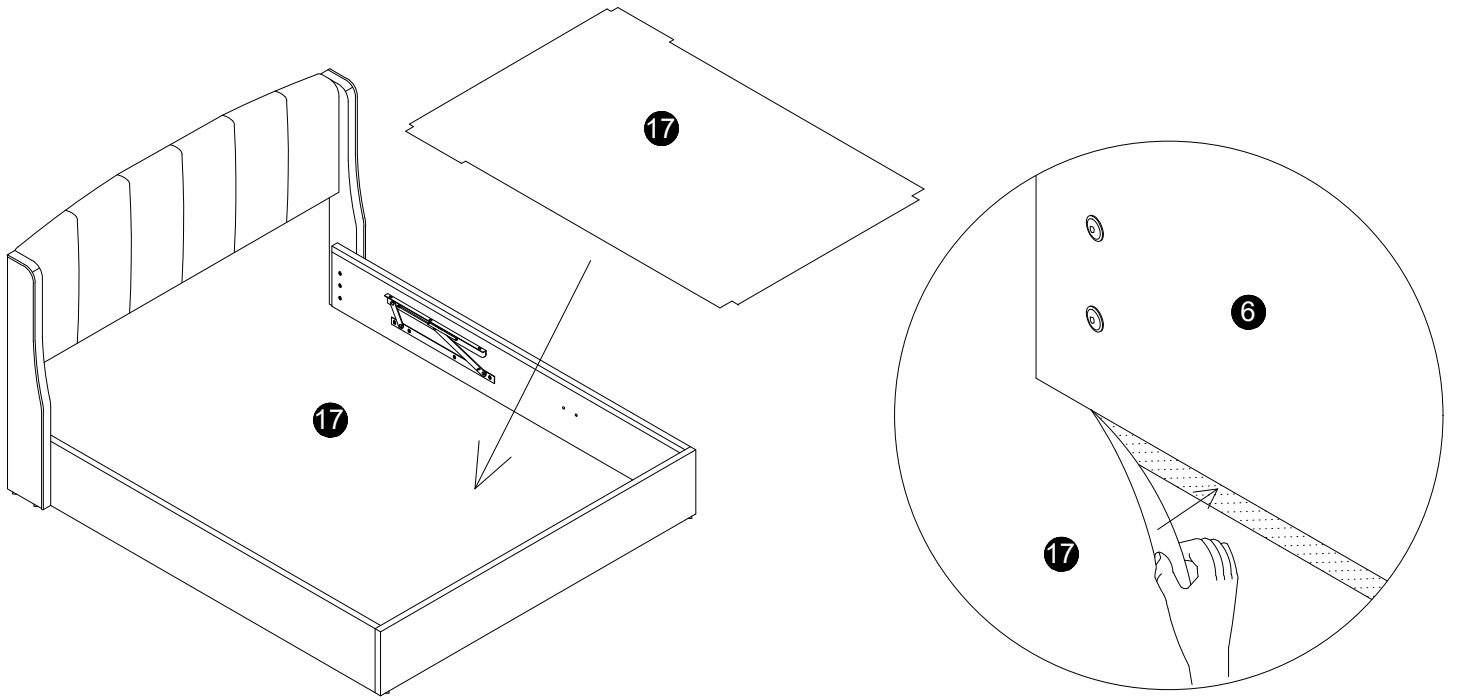
5



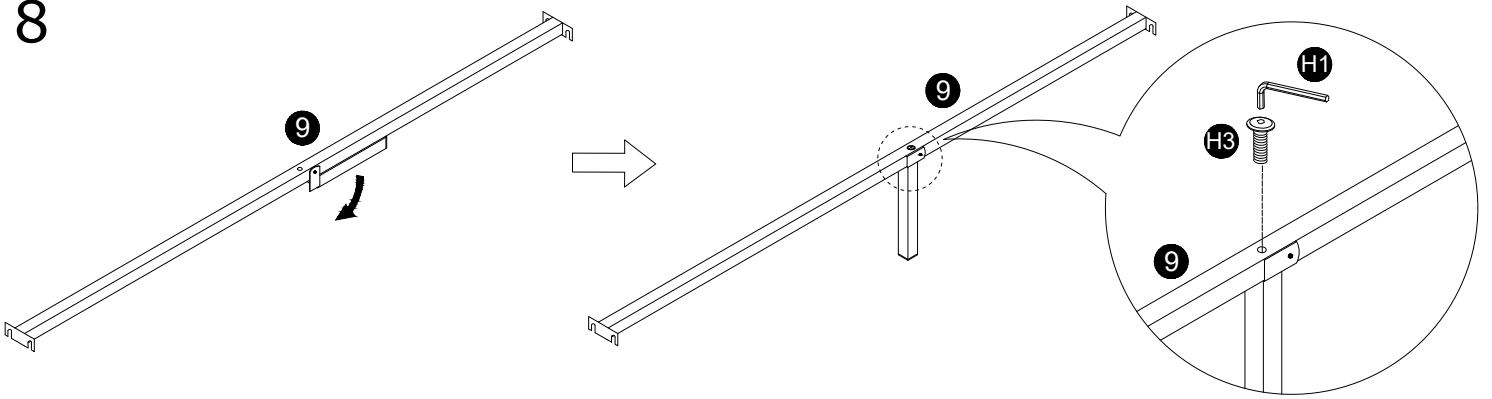
6



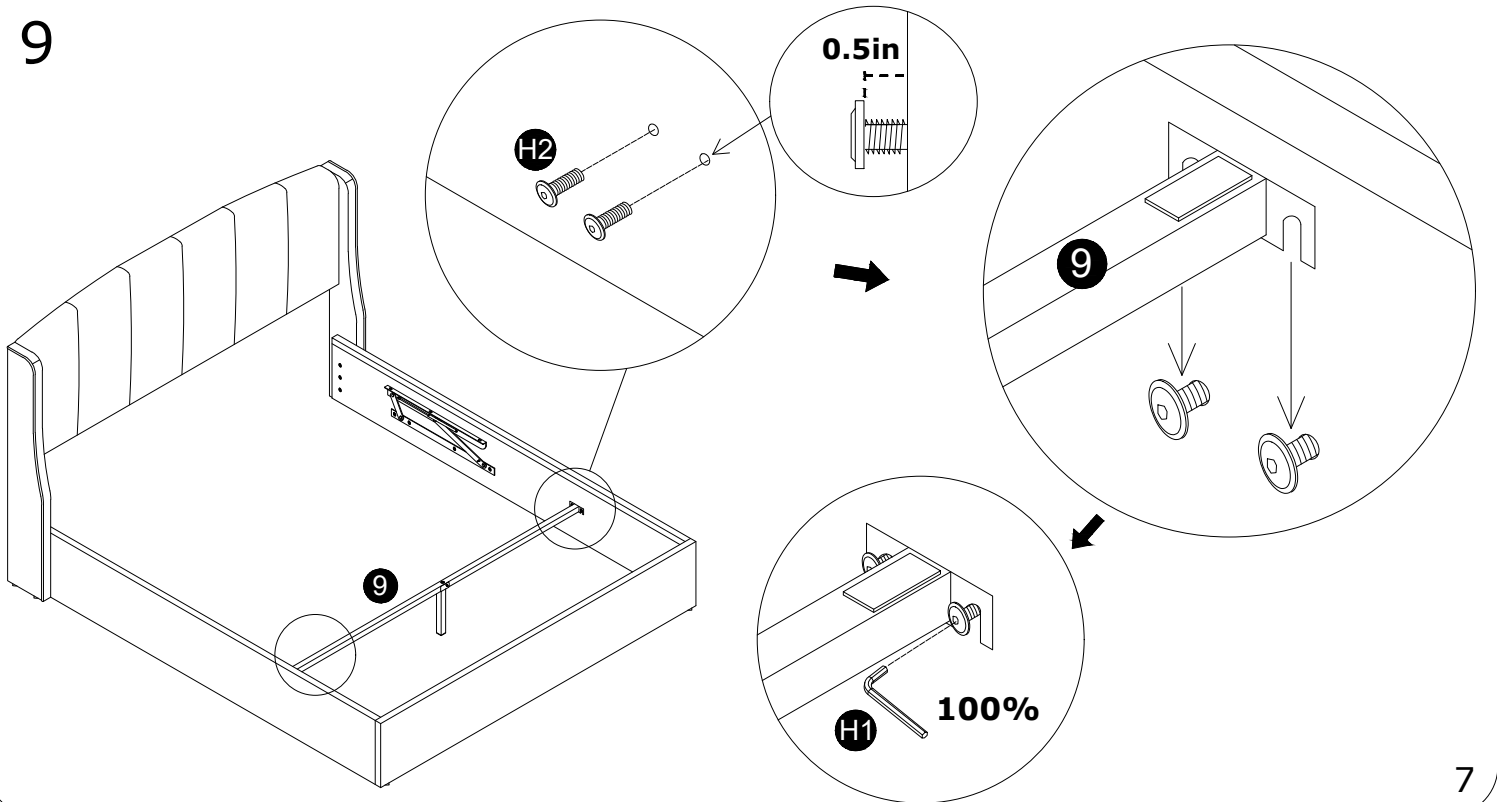
7



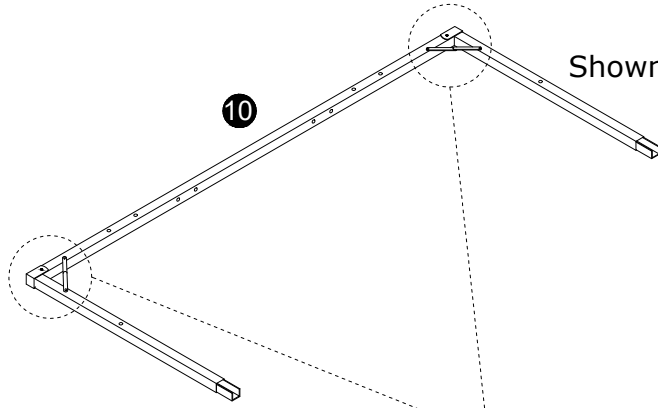
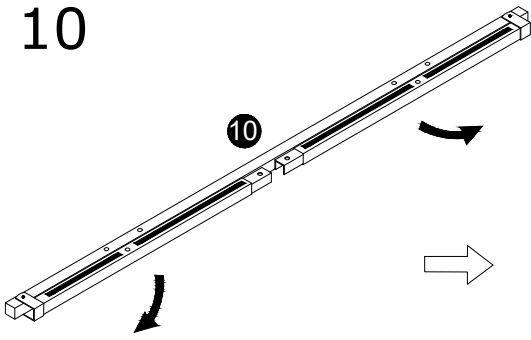
8



9

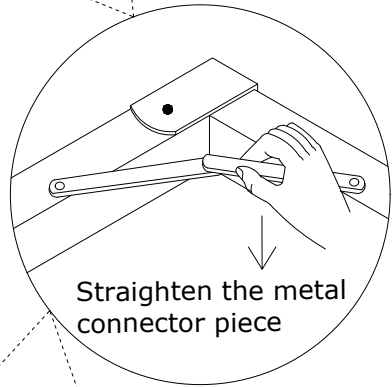


10

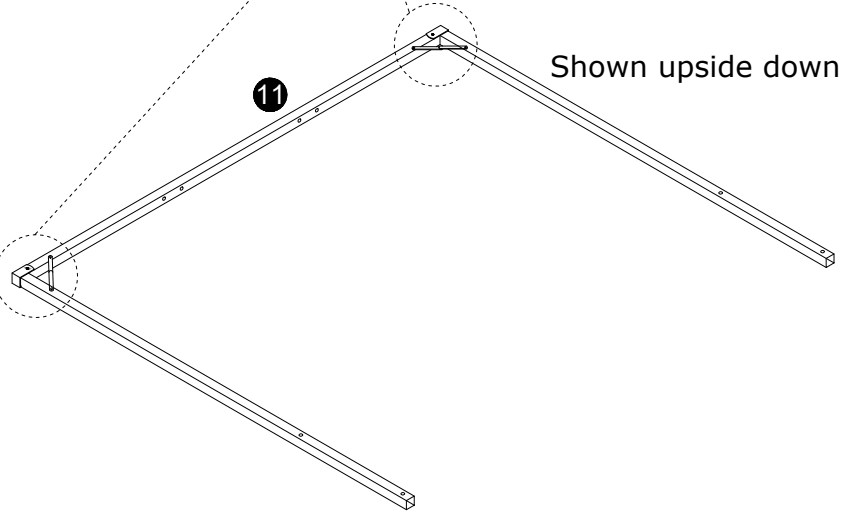
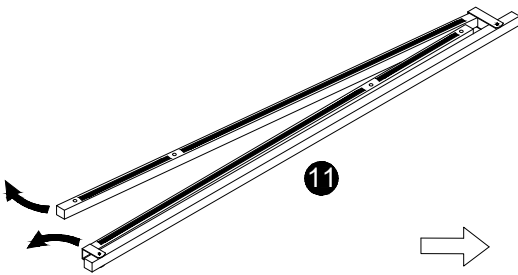


Shown upside down

BEWARE OF CLAMP HAND

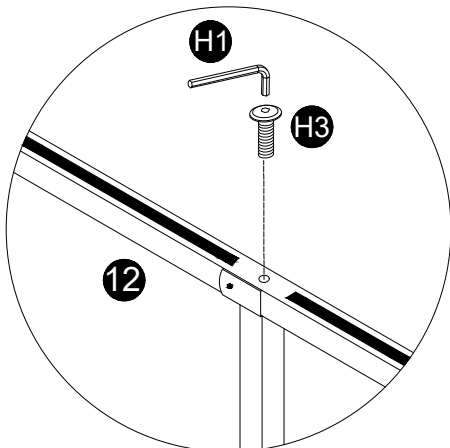
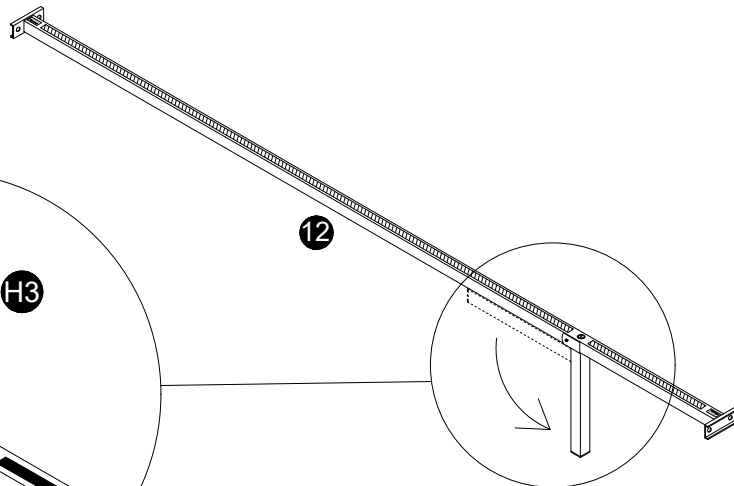


Straighten the metal connector piece



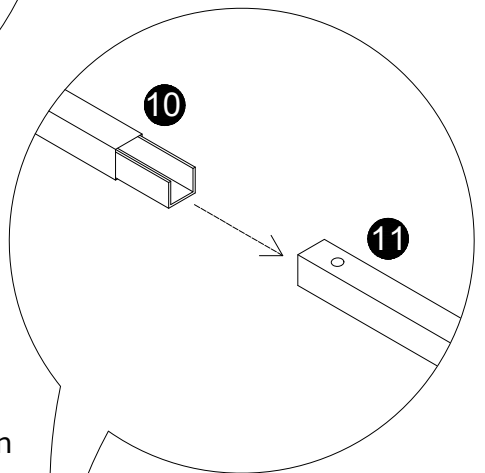
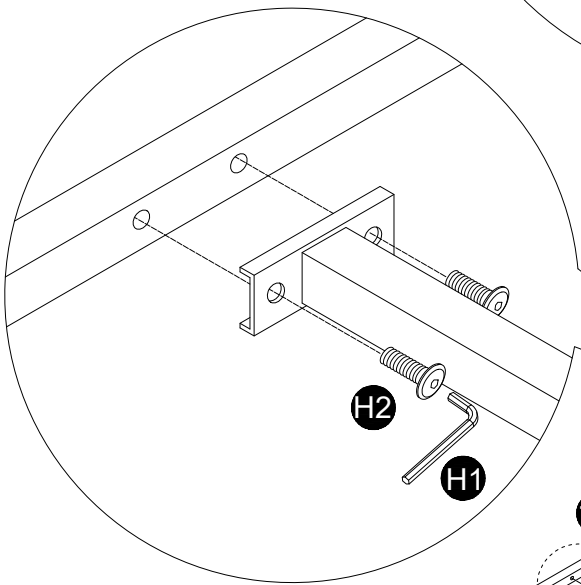
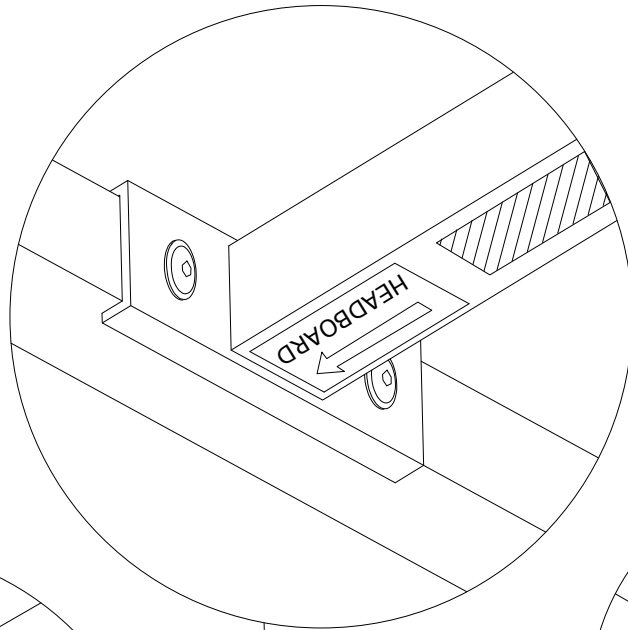
Shown upside down

11

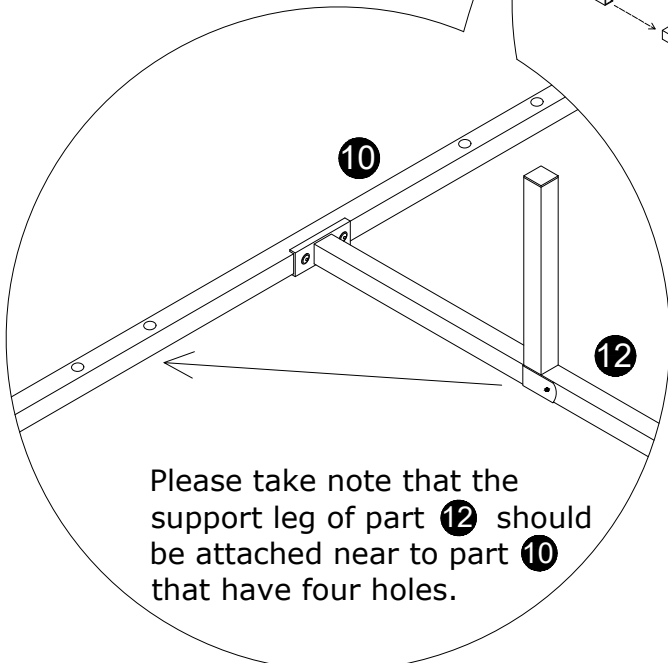
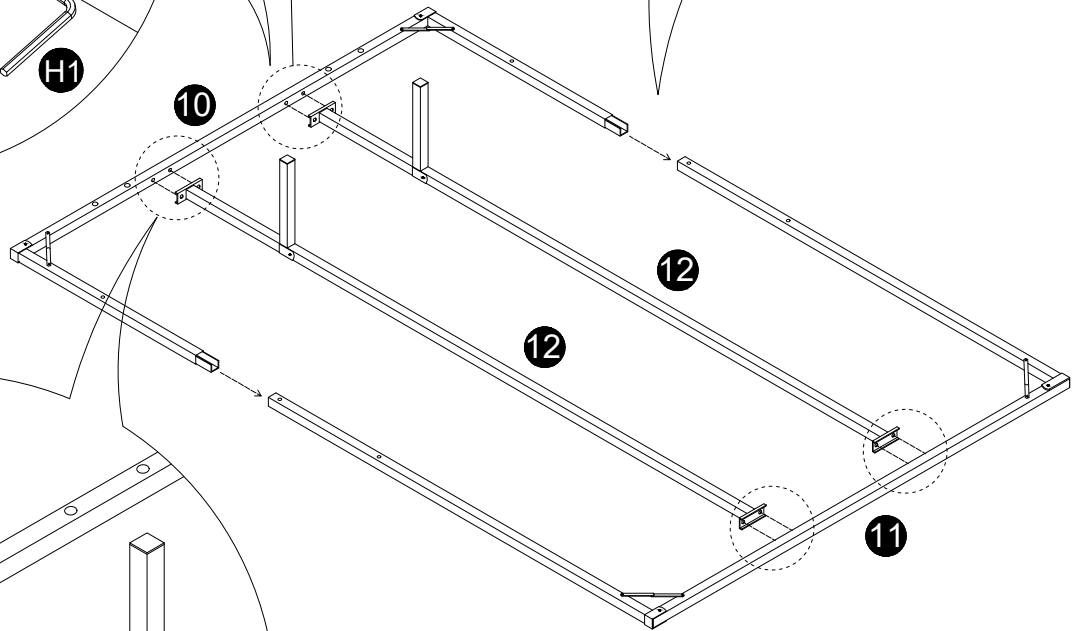


x2

12

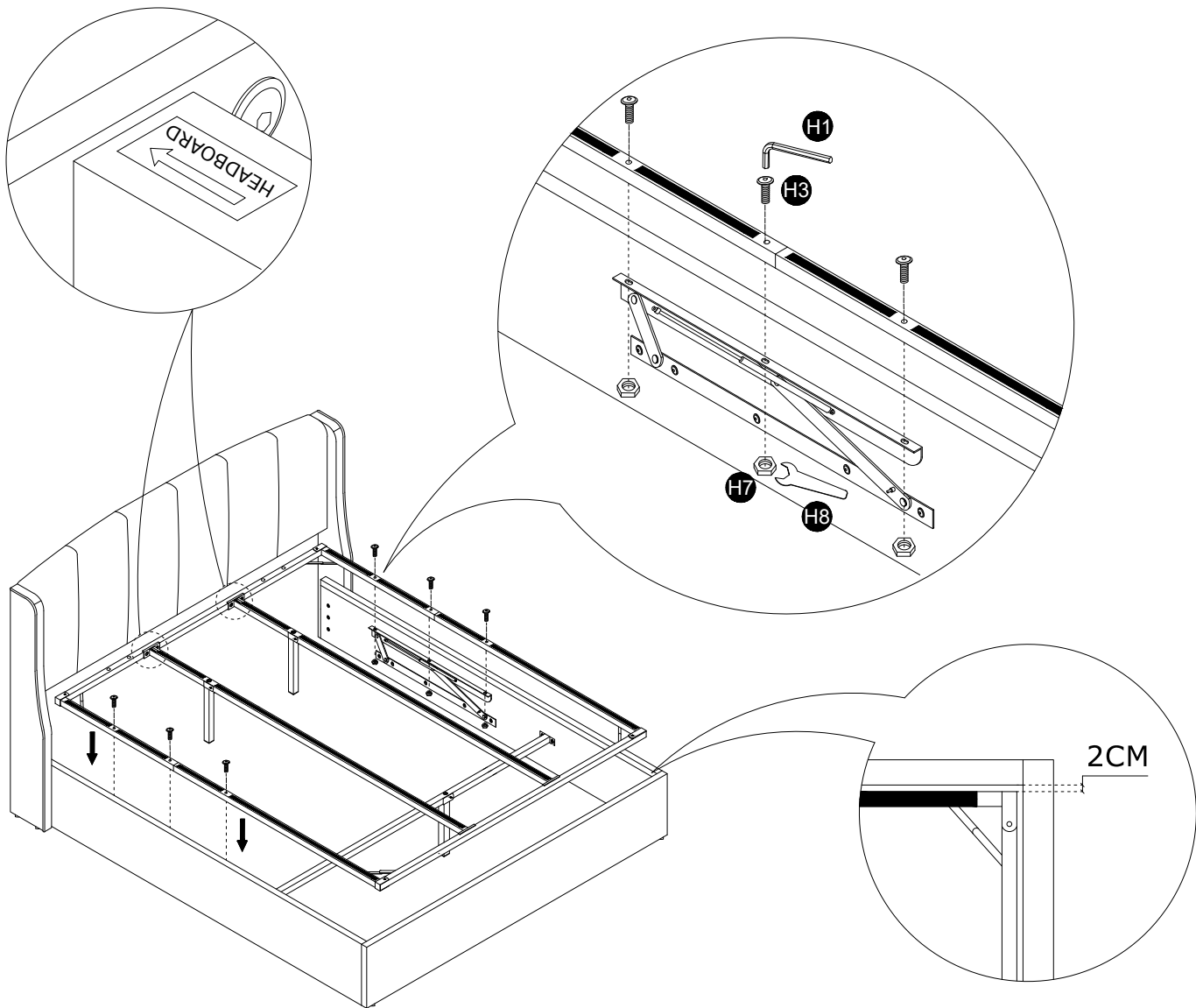


Shown upside down



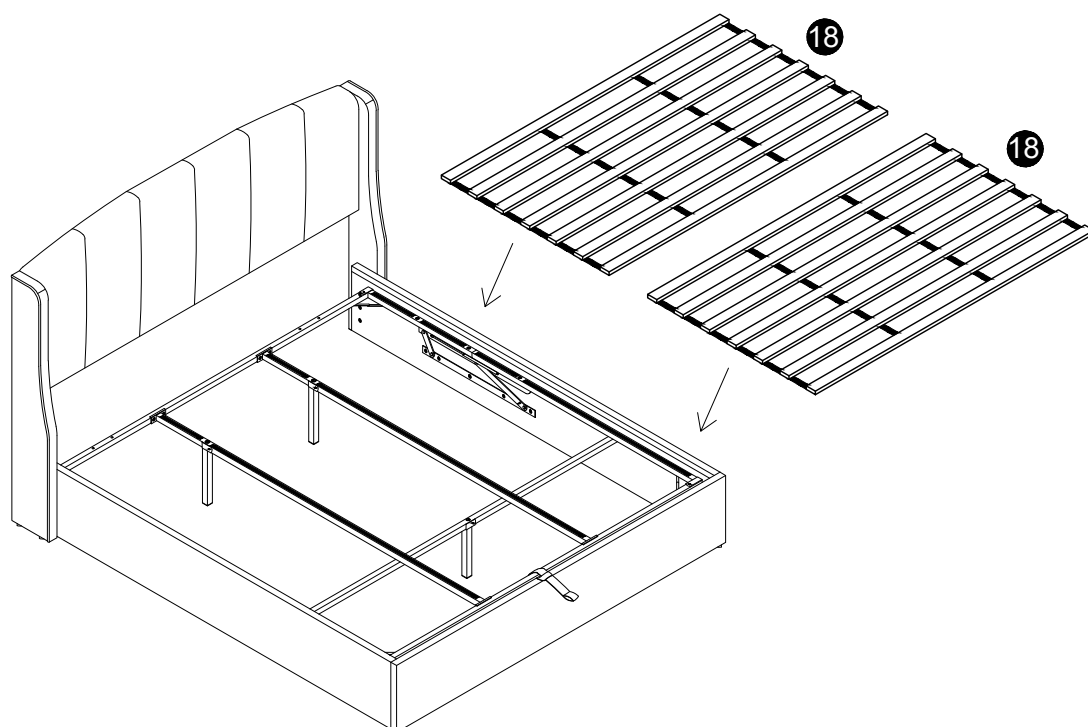
Please take note that the support leg of part 12 should be attached near to part 10 that have four holes.

13

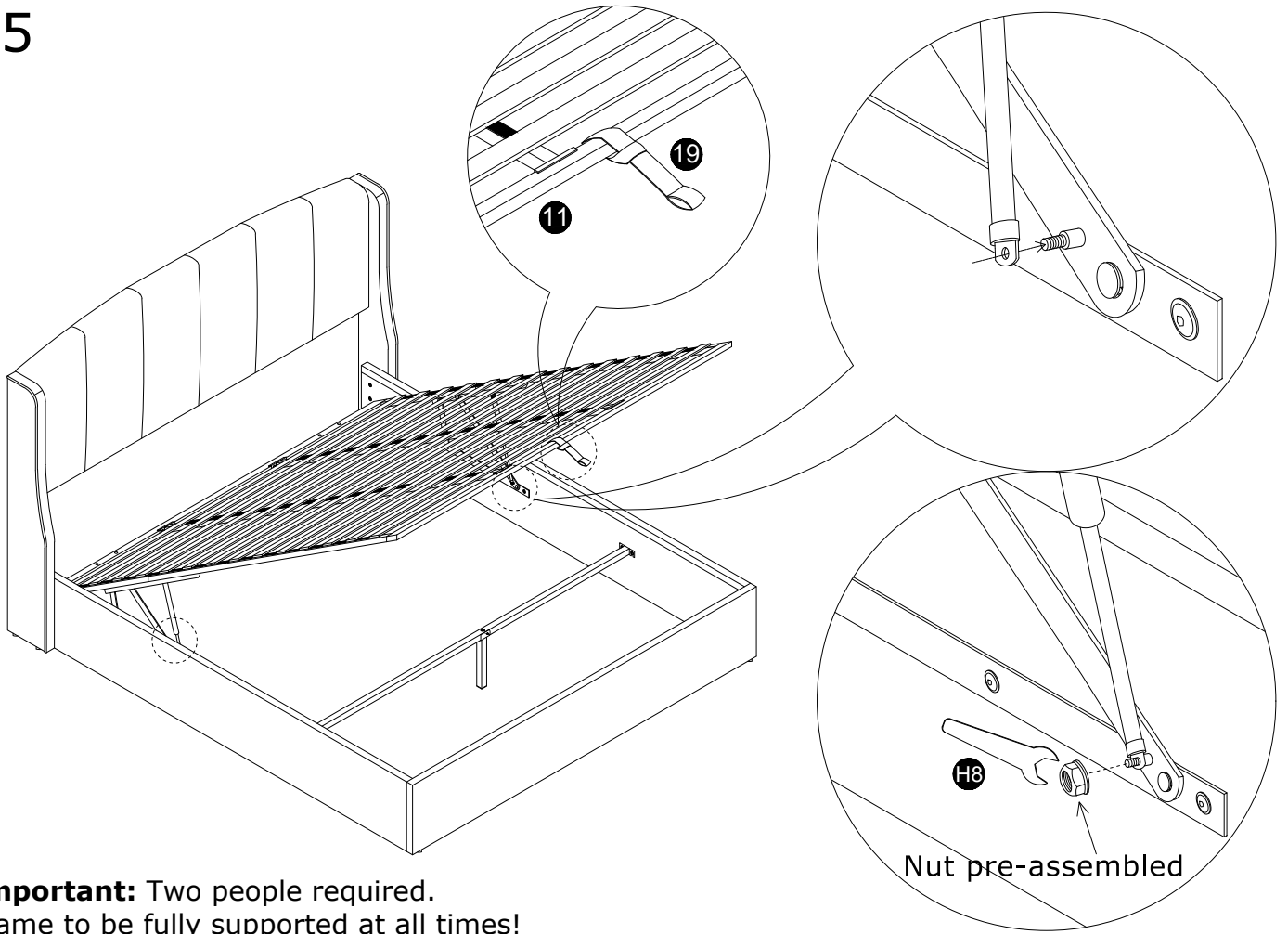


**Beware of risk of entrapment
from folding hinges!**

14

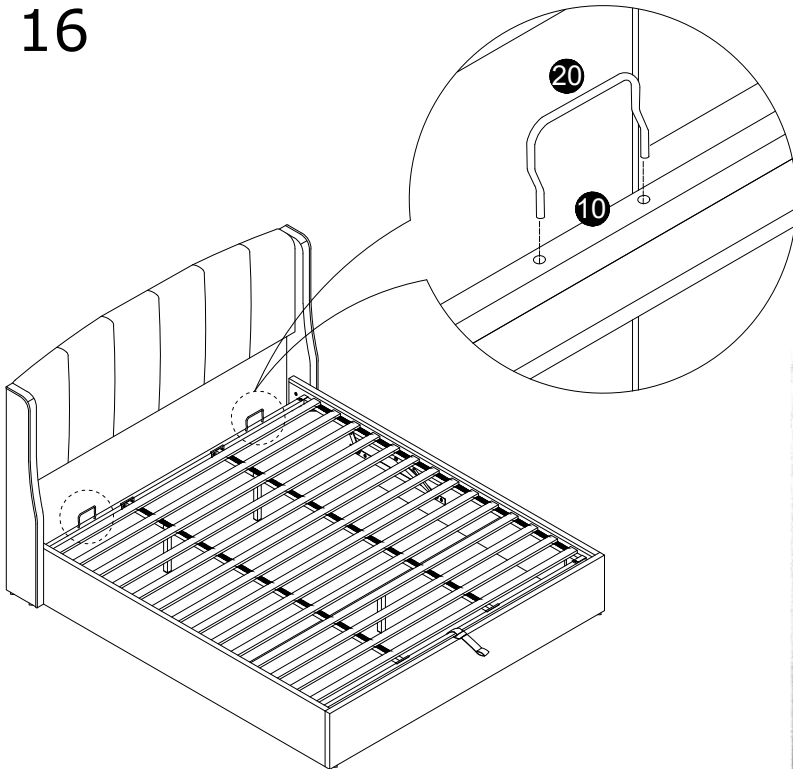


15



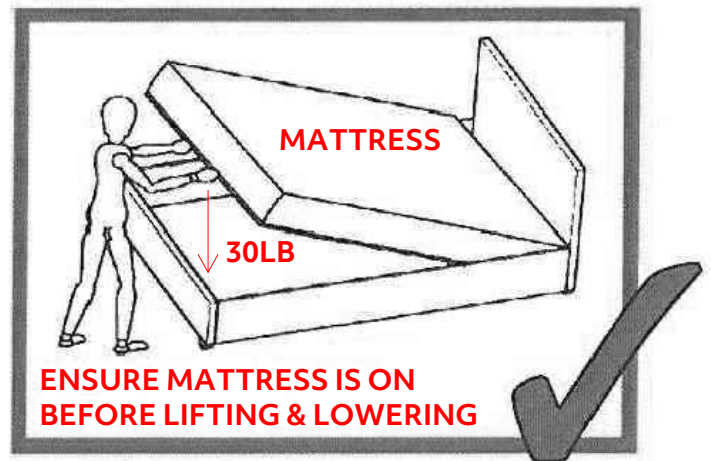
Important: Two people required.
Frame to be fully supported at all times!

16



Only lift when the mattress is in place.
Place mattress & Carefully lower frame down.
Keep objects/body part & children away from moving parts.

After placing the mattress on frame,
push down the frame with 30lbs force.



Job Complete !

In the interest of our environment please dispose of all packaging thoughtfully.