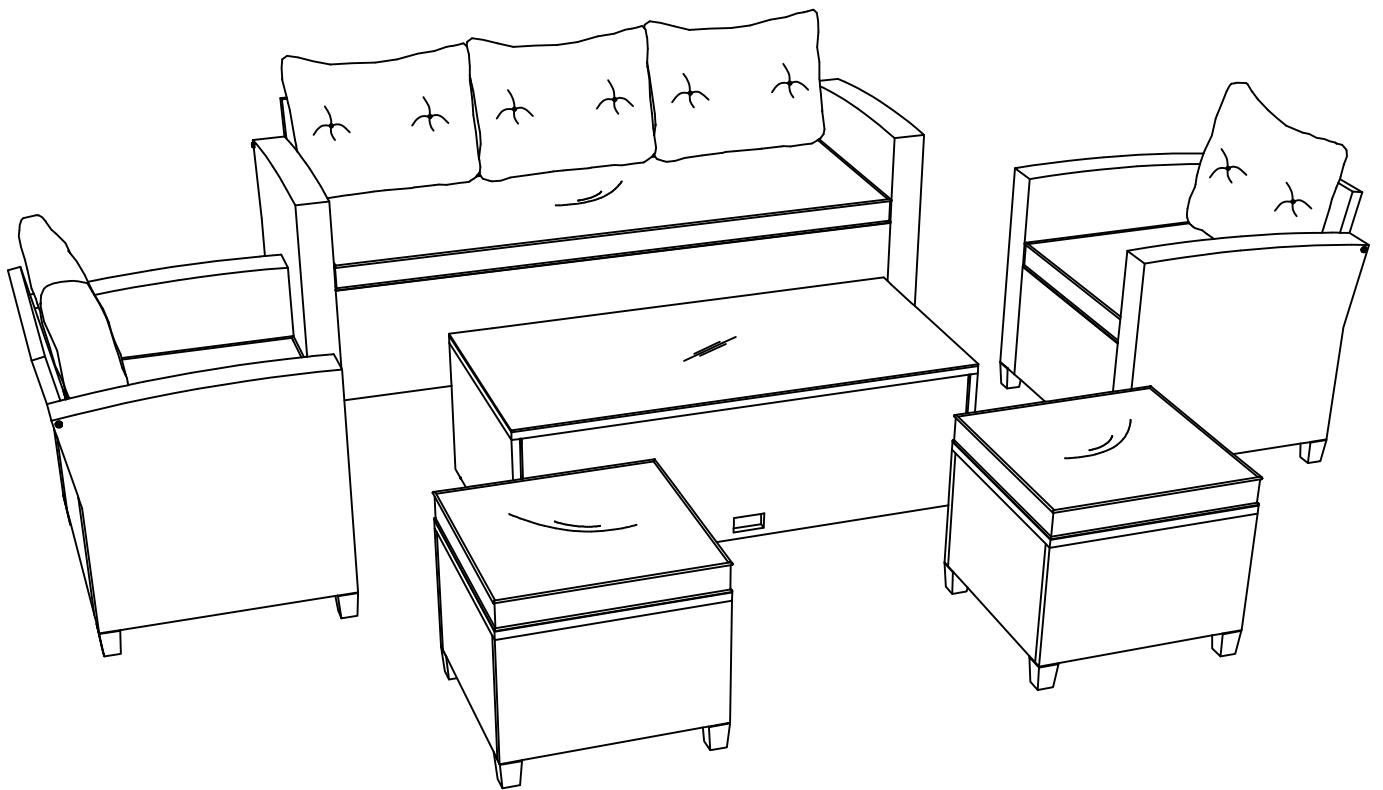
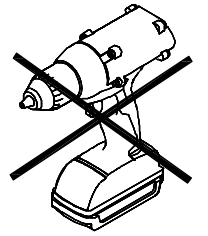
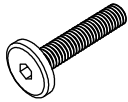


ASSEMBLY INSTRUCTION



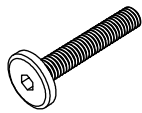


A x 24



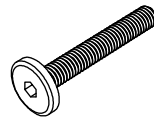
M6x30 mm

B x 26



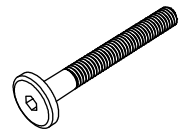
M6x35 mm

C x 24



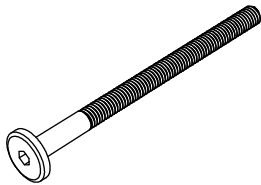
M6x40 mm

D x 22



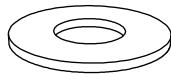
M6x55 mm

E x 6



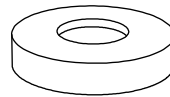
M6x110 mm

F x 80



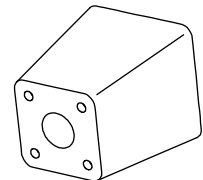
Ø14x1 mm

G x 2



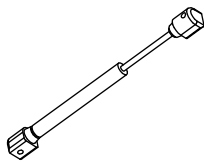
Ø16x5 mm

H x 22



45x45x65 mm

J x 1

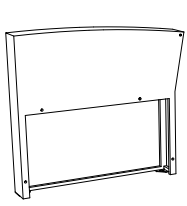


K x 3

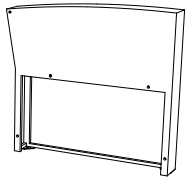


4 mm

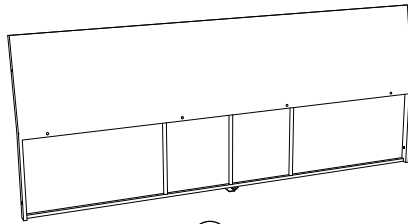
Components:



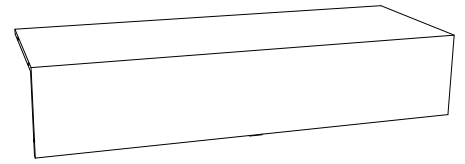
① x3



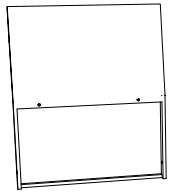
② x3



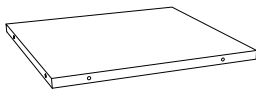
③



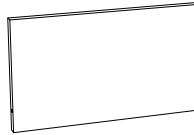
④



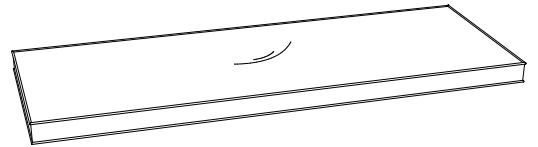
⑤ x2



⑥ x2



⑦ x2



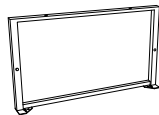
⑧



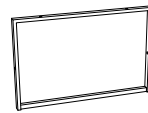
⑨ x2



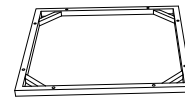
⑩ x5



⑪ x4



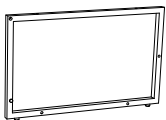
⑫ x4



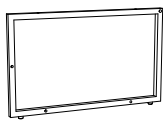
⑬ x2



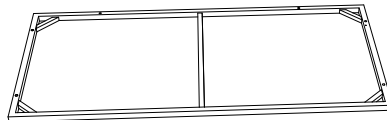
⑭ x2



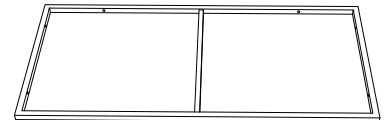
⑮



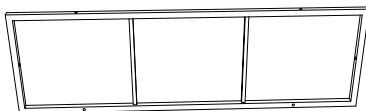
⑯



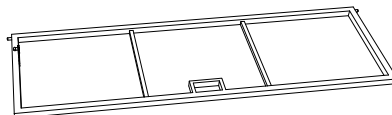
⑰



⑱



⑲



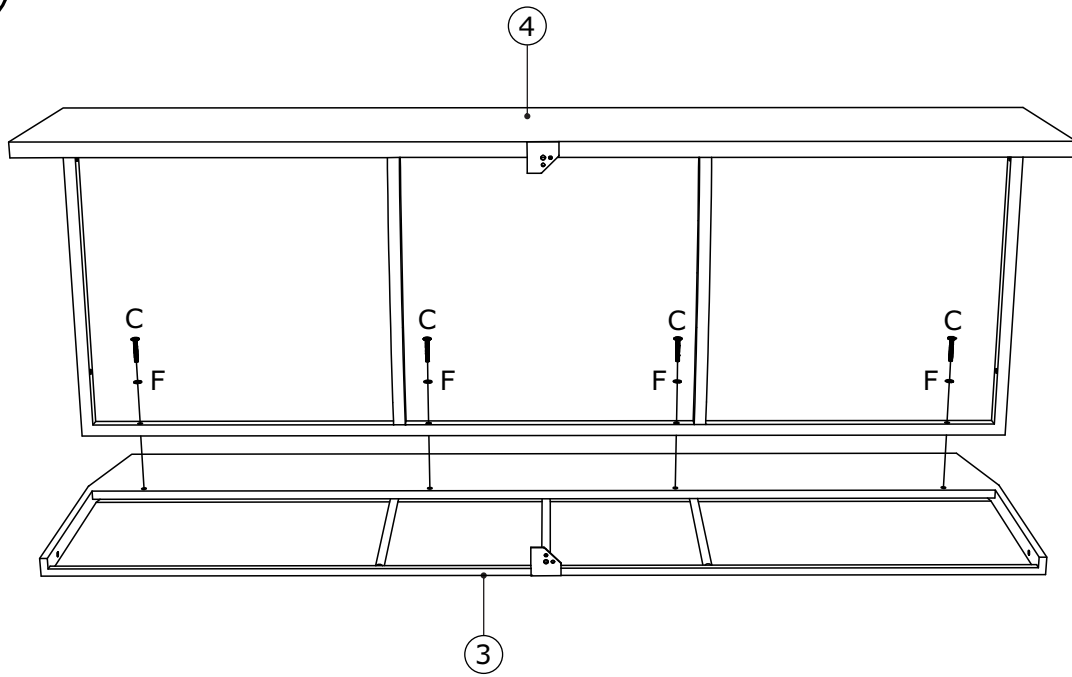
⑳



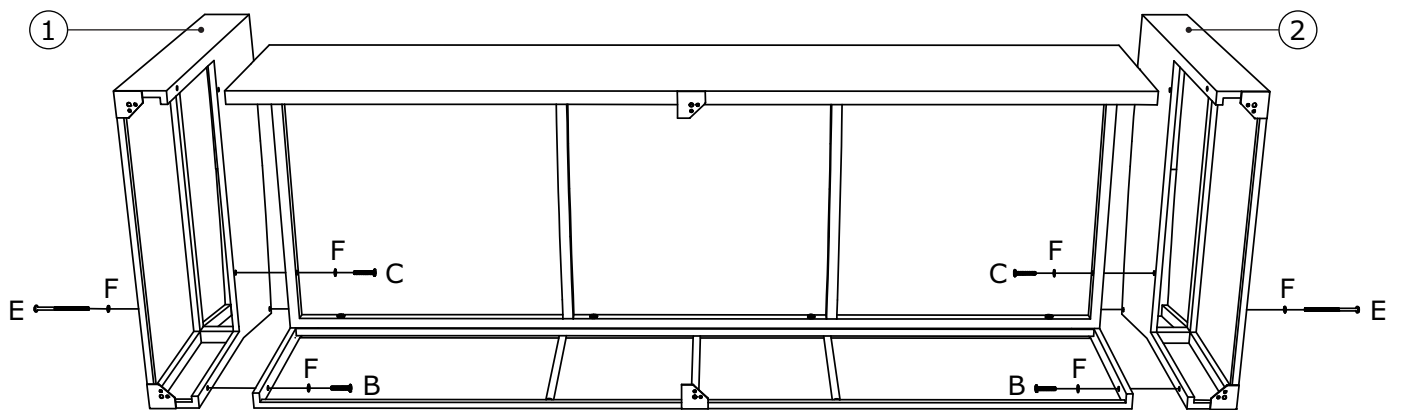
㉑



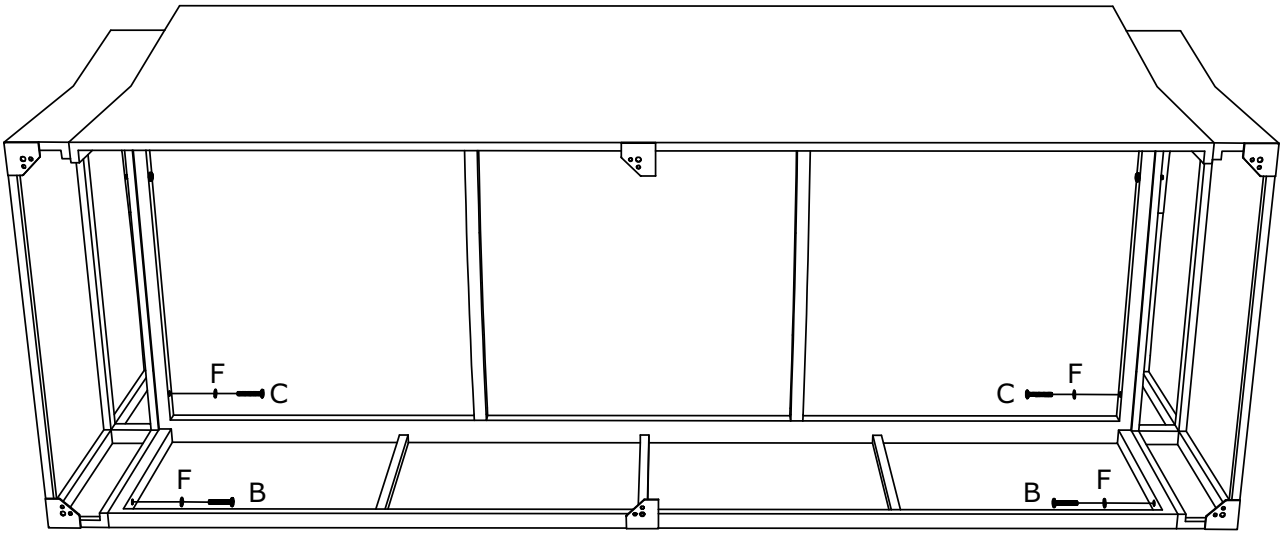
1



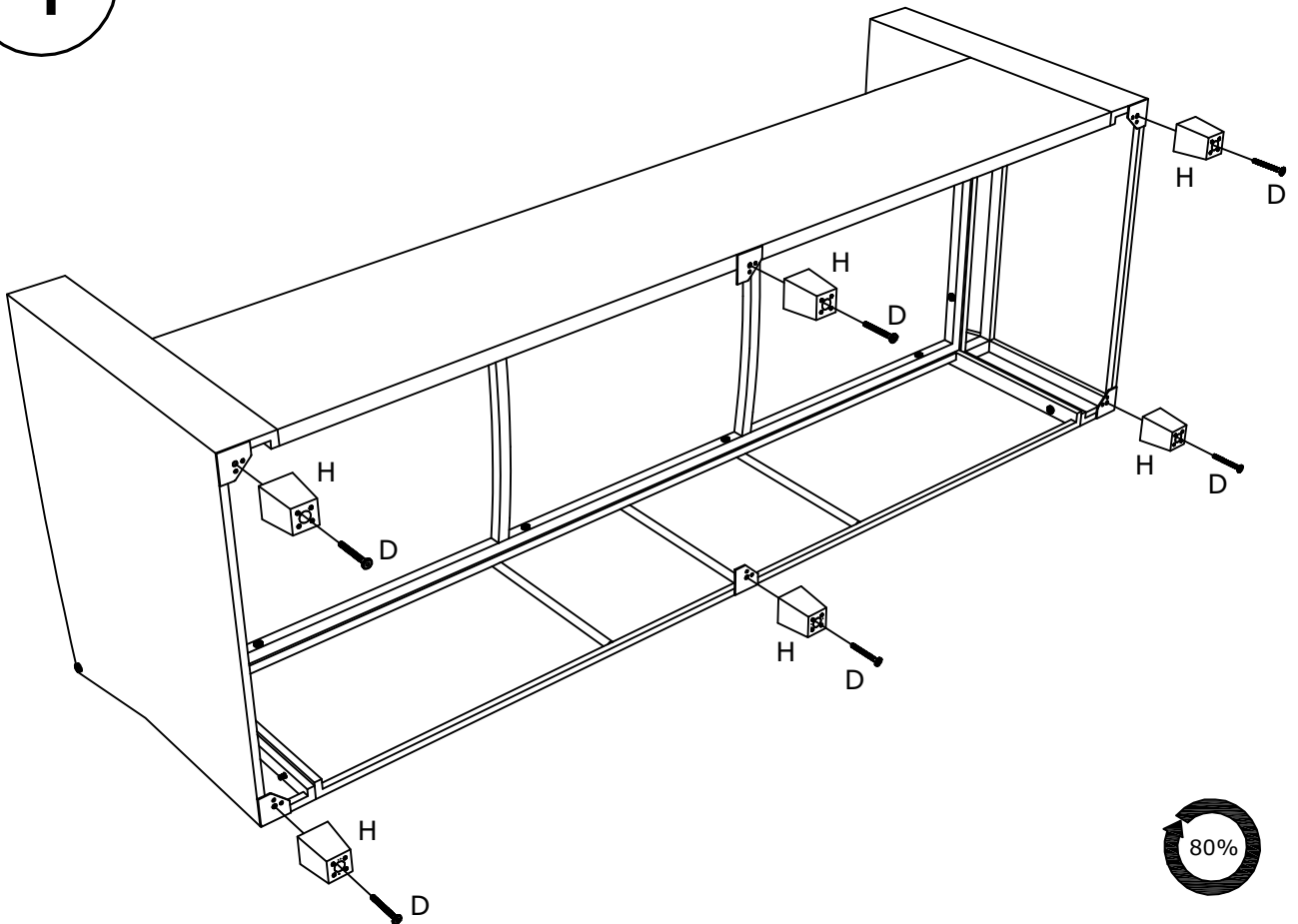
2



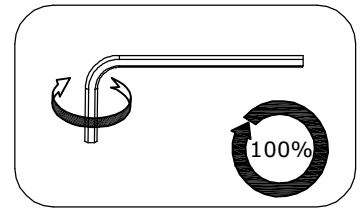
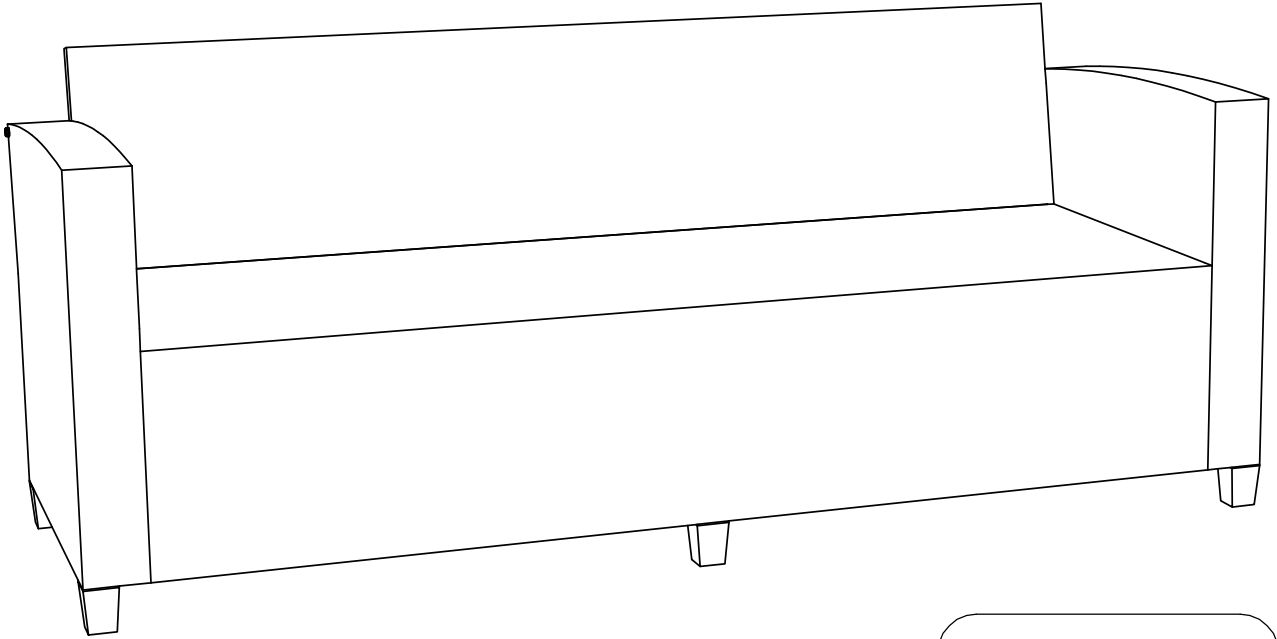
3



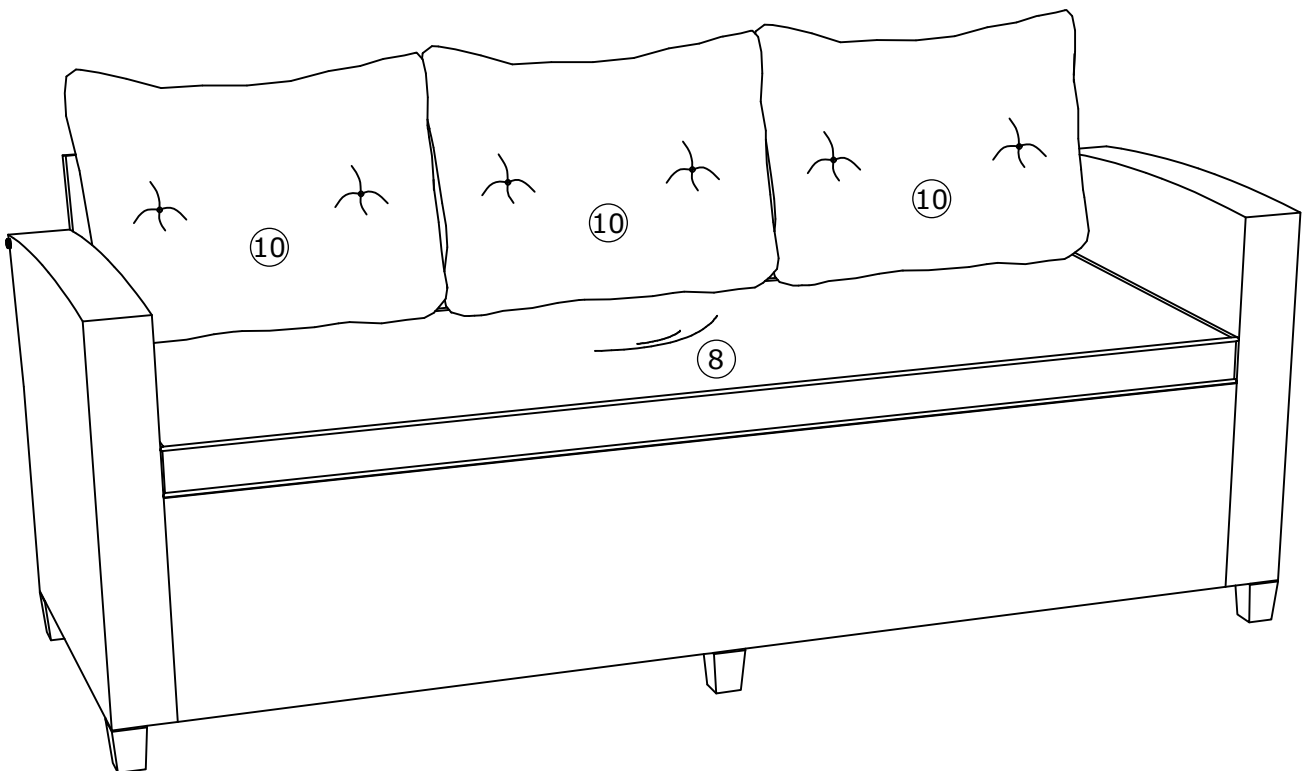
4



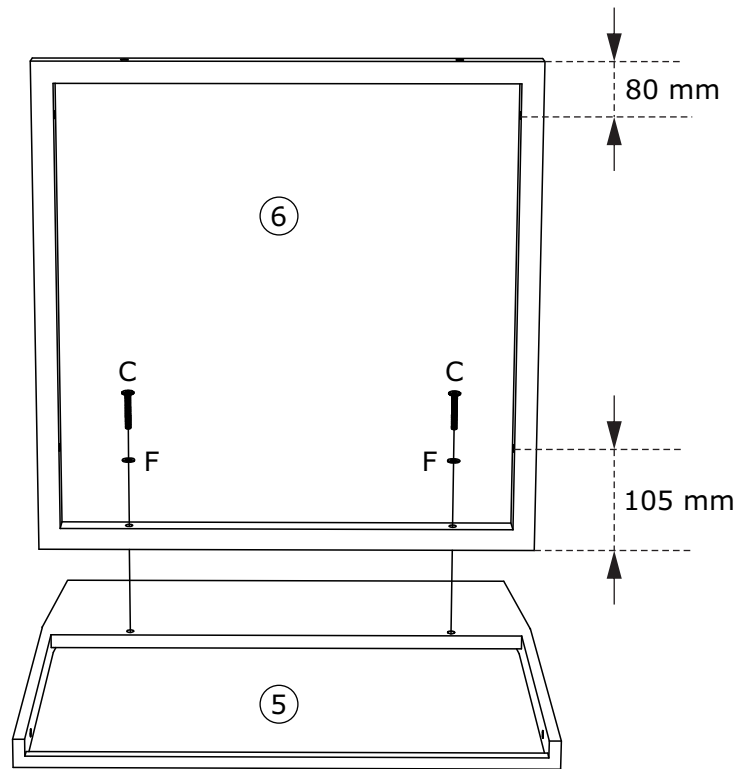
5



6

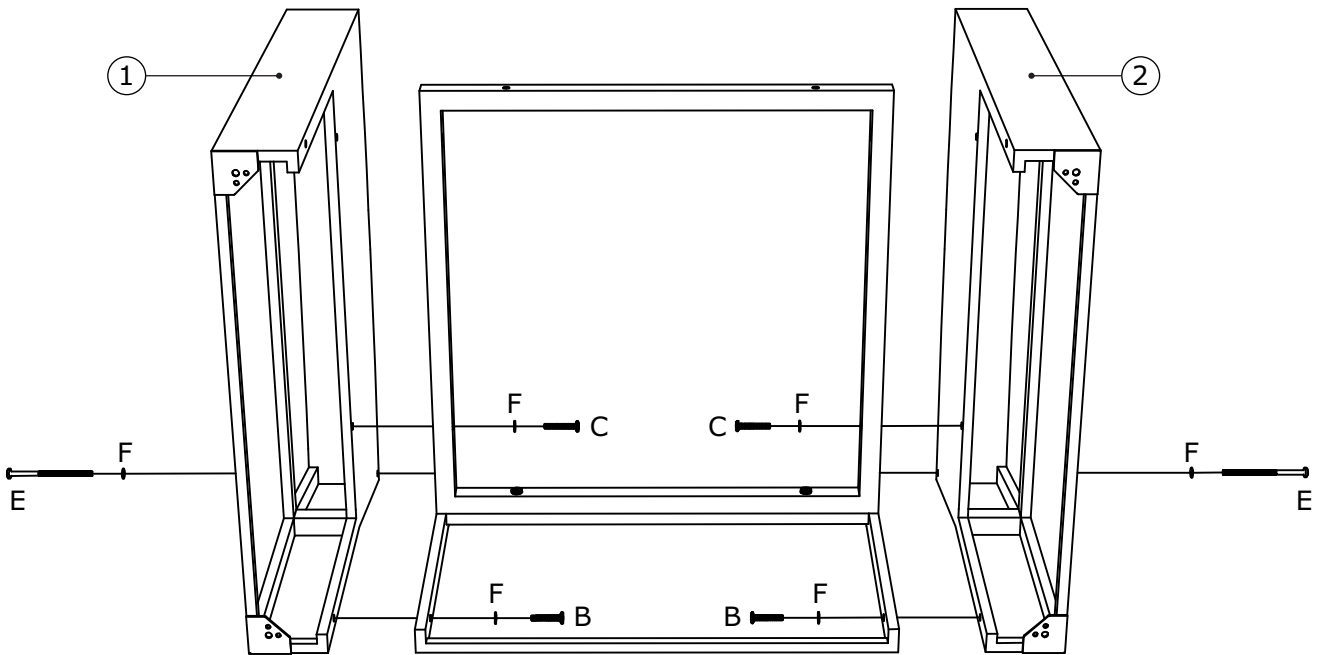


7



x2

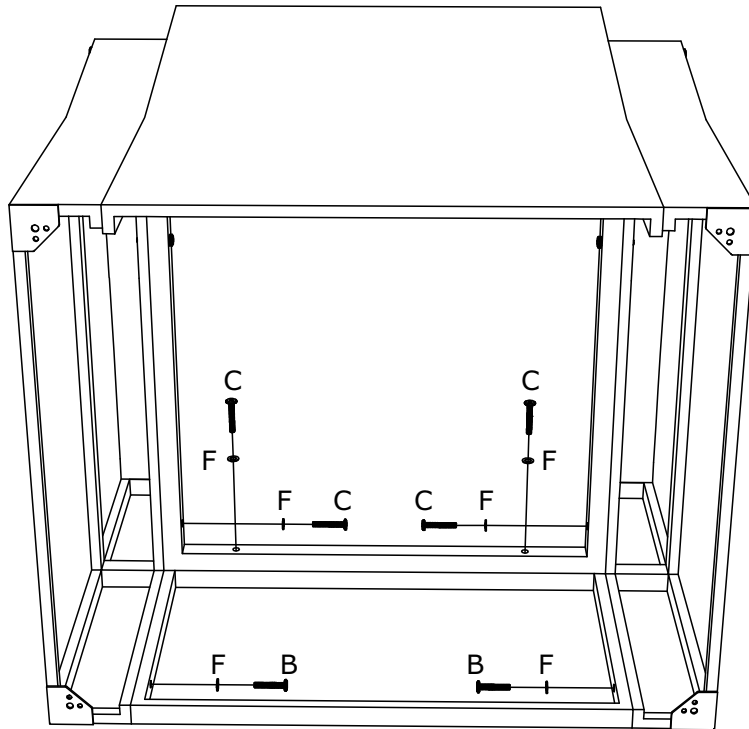
8



x2

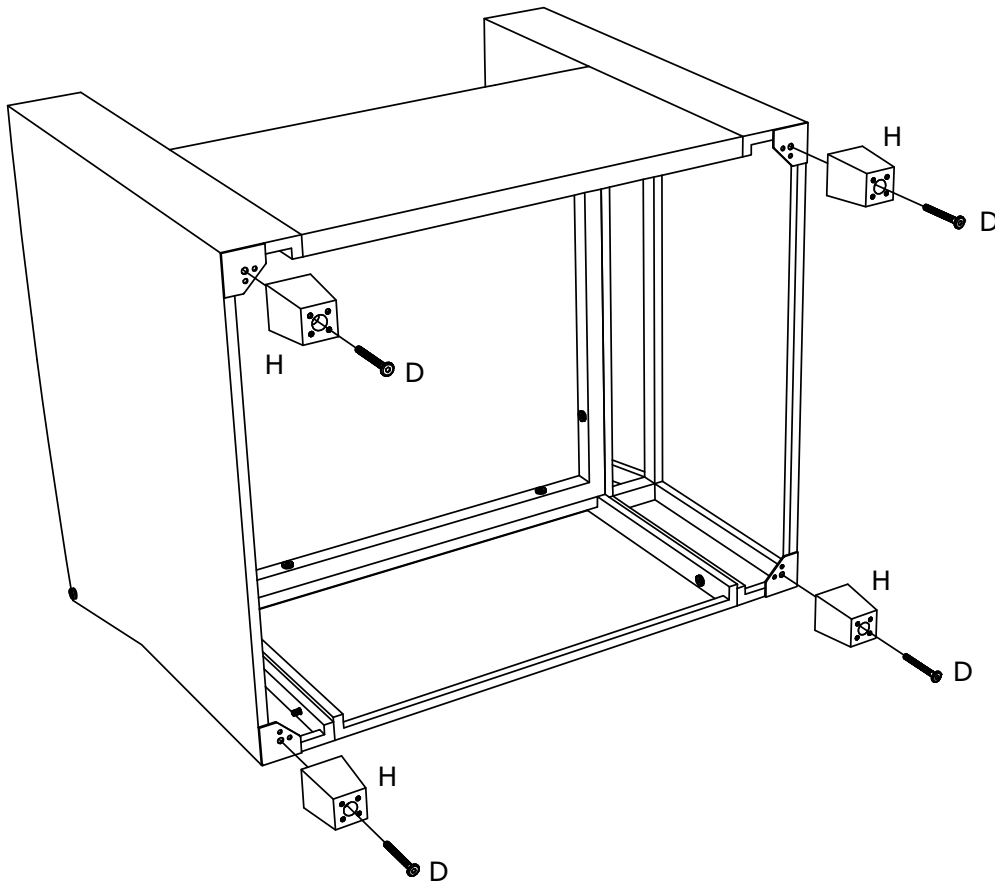
9

x2



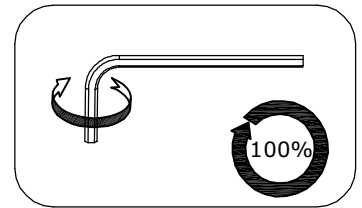
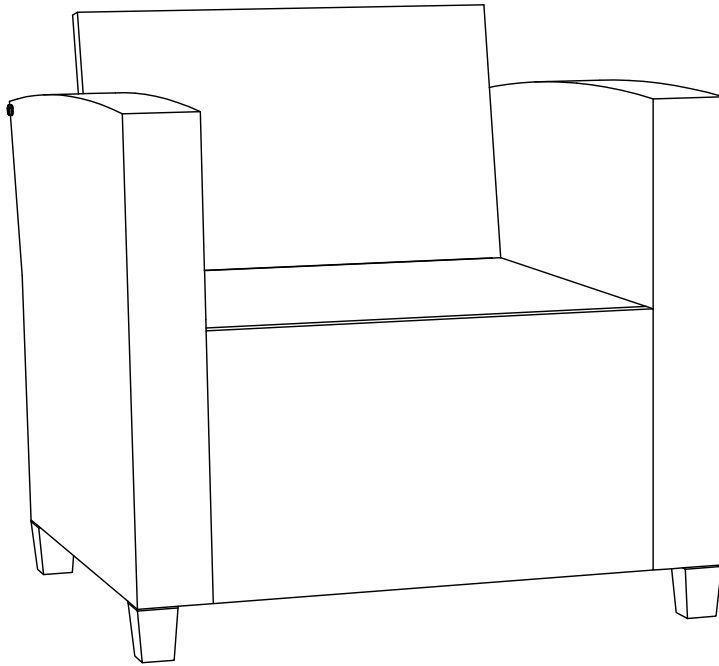
10

x2



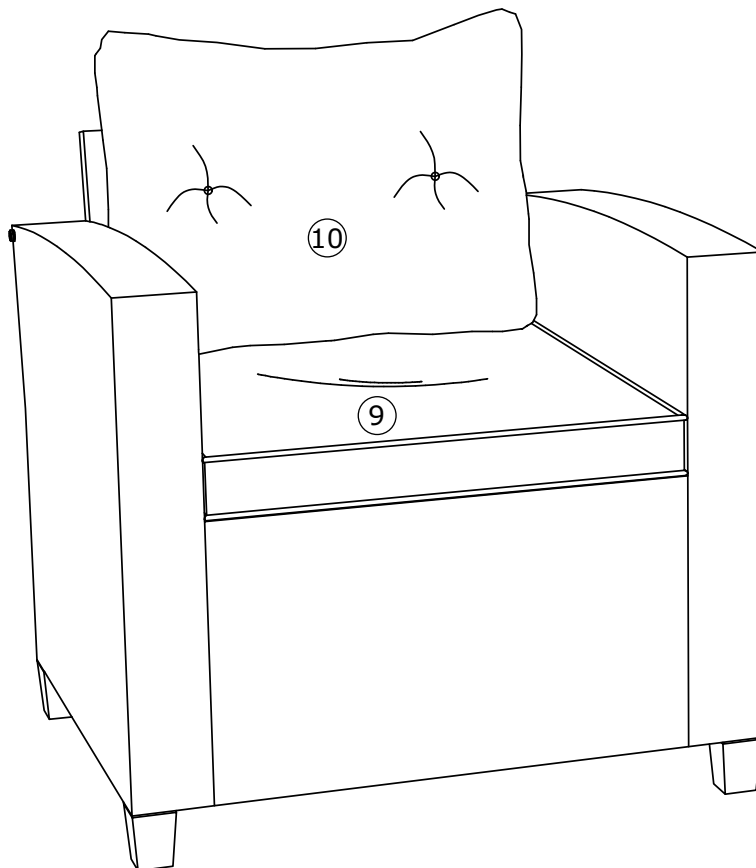
11

x2



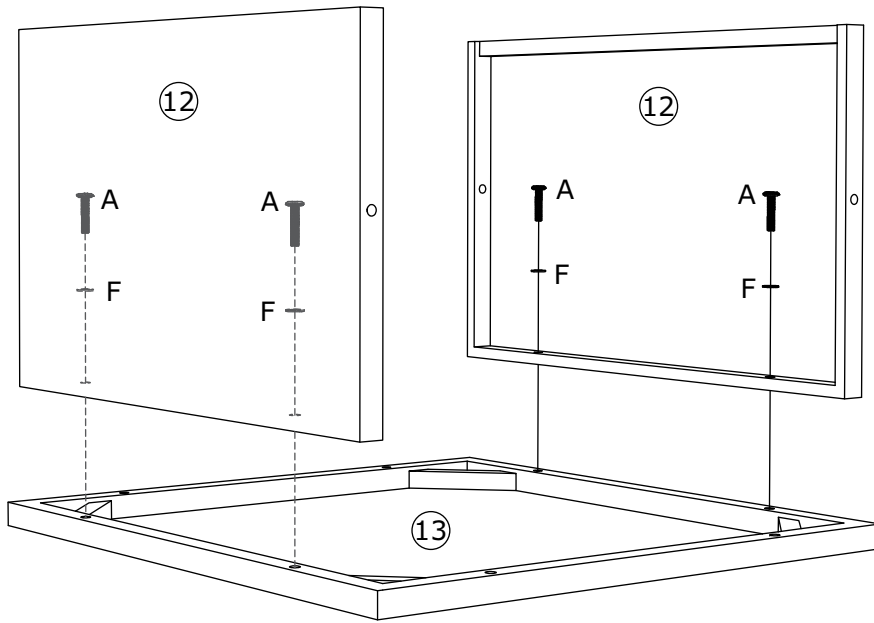
12

x2



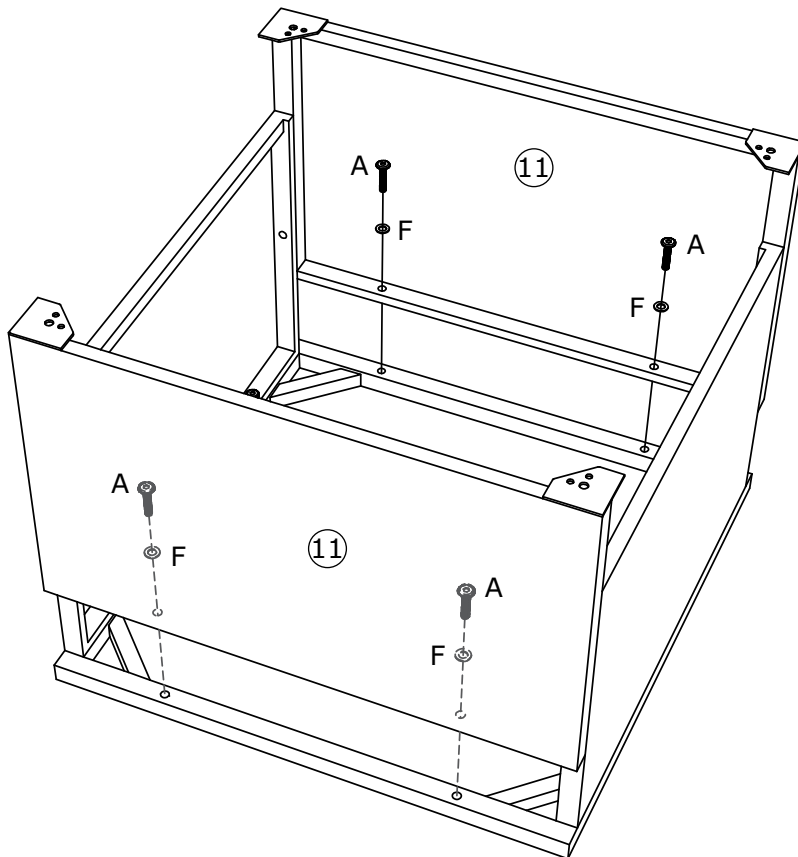
13

x2



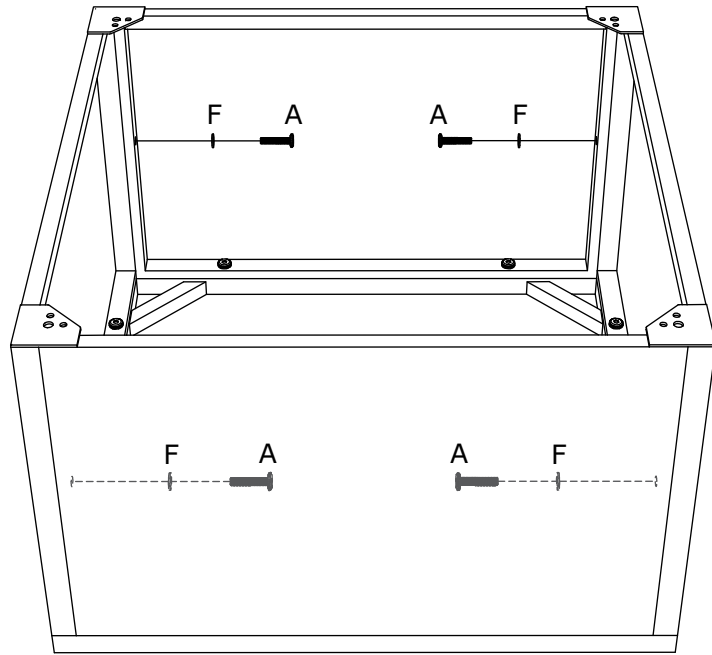
14

x2



15

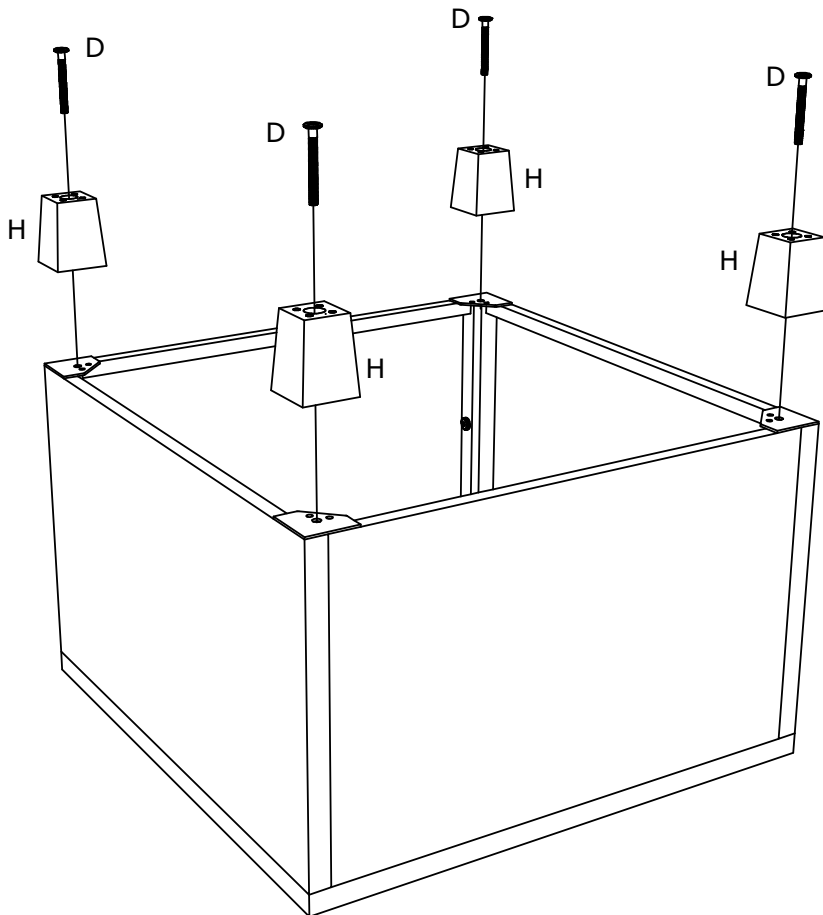
x2



16

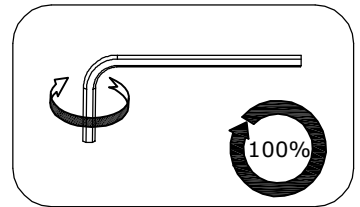
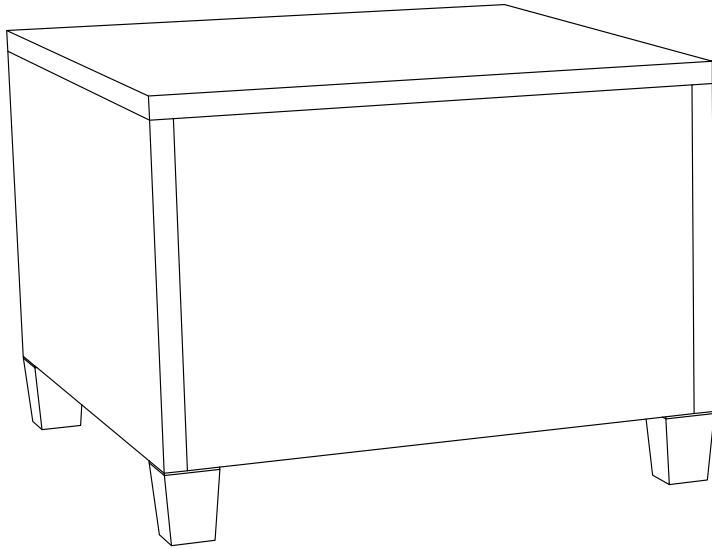


x2



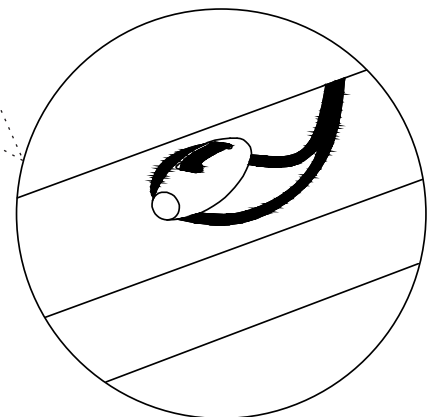
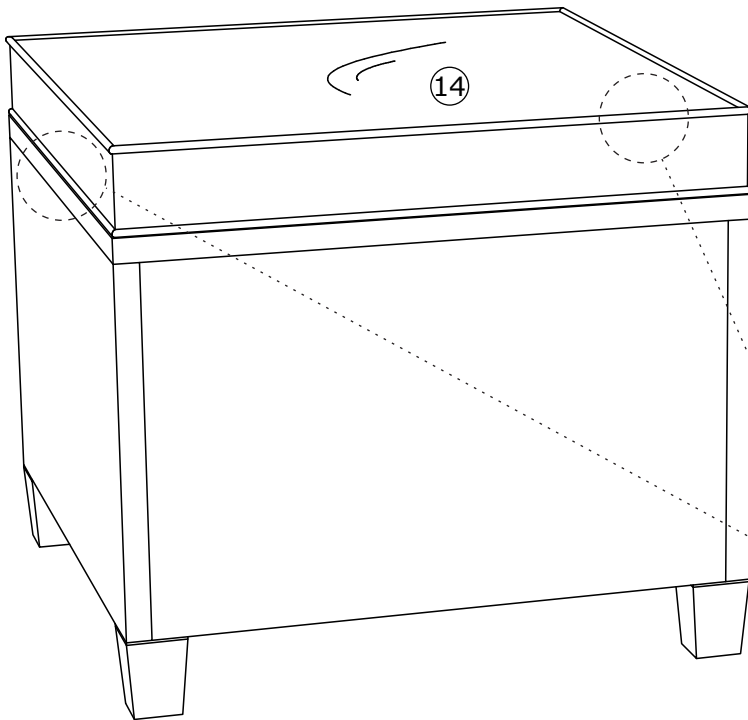
17

x2

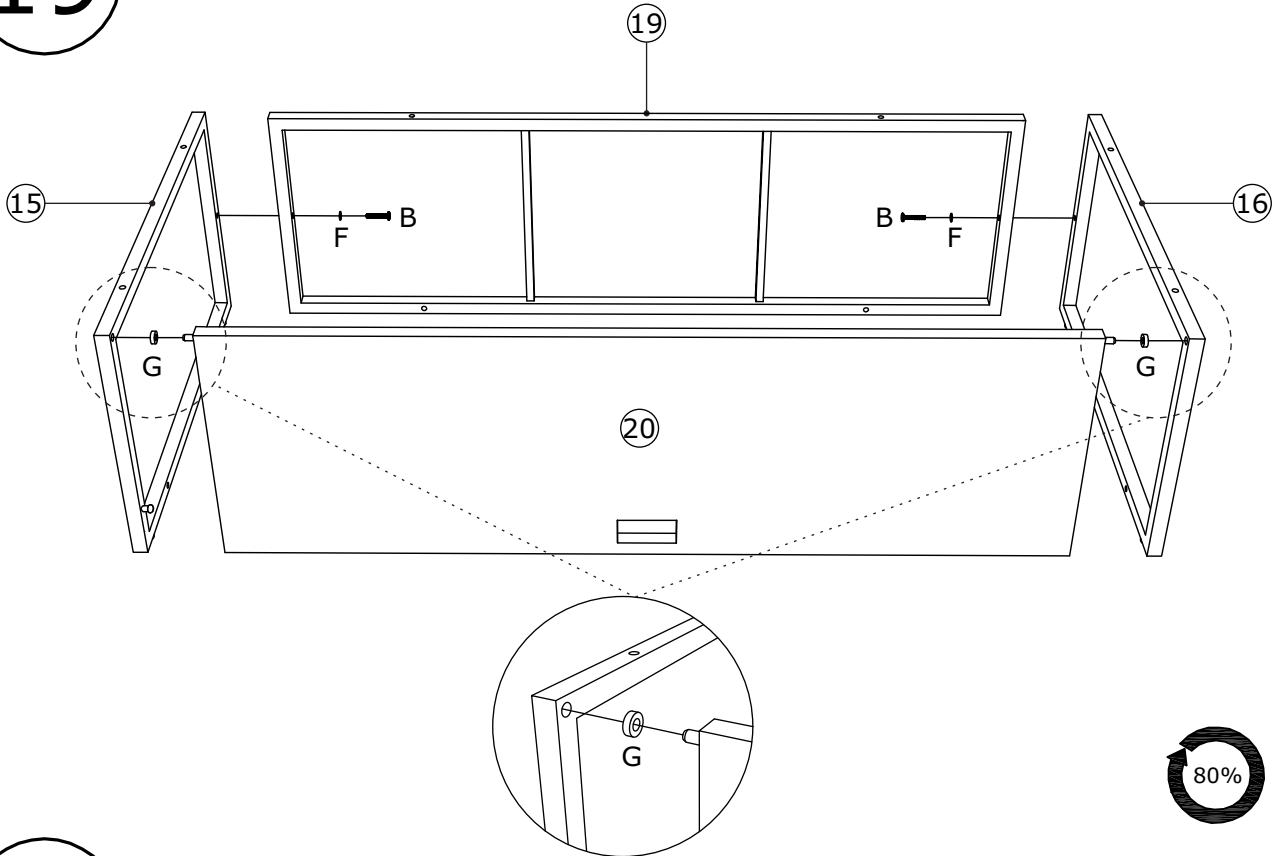


18

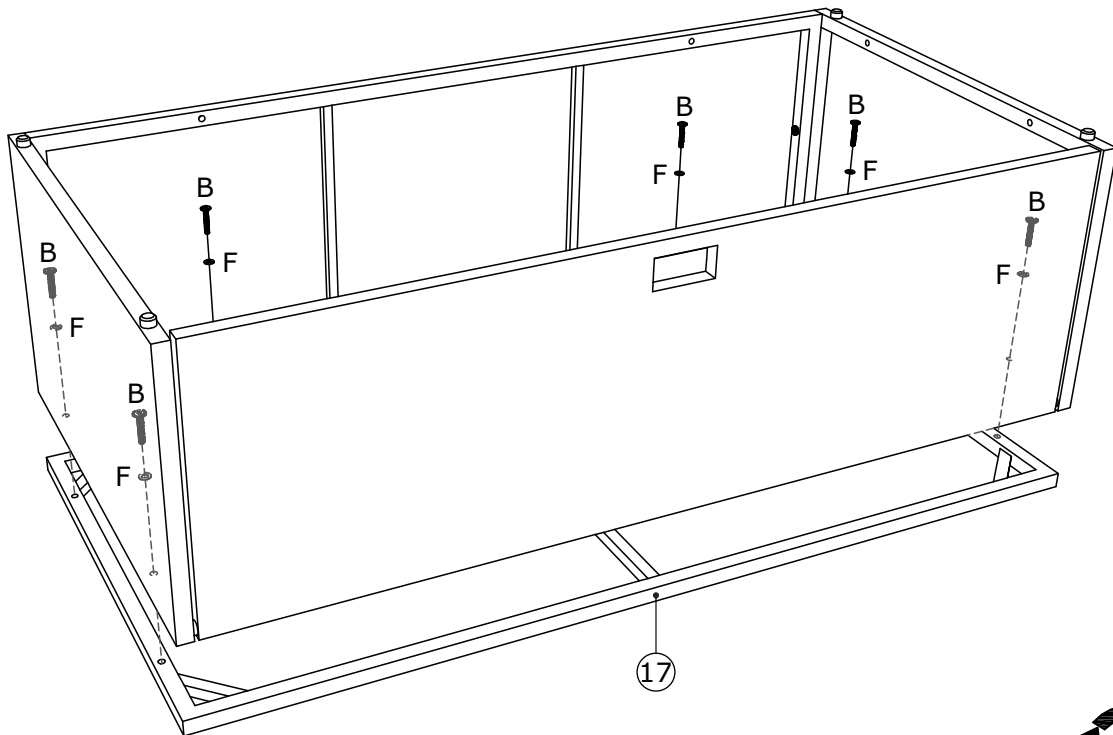
x2



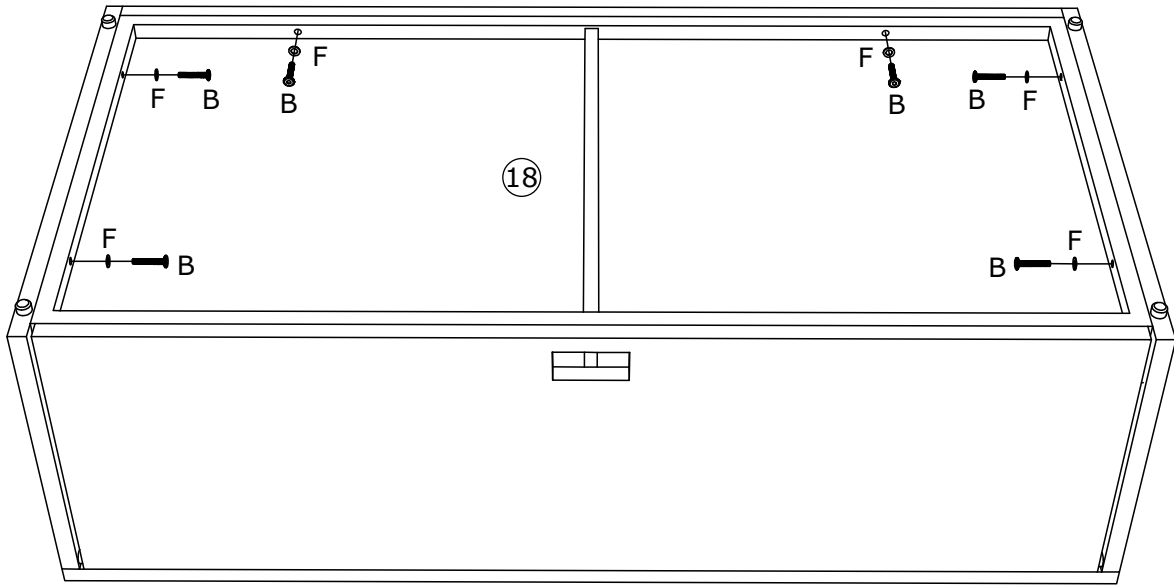
19



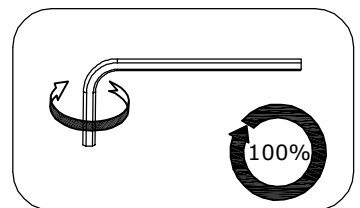
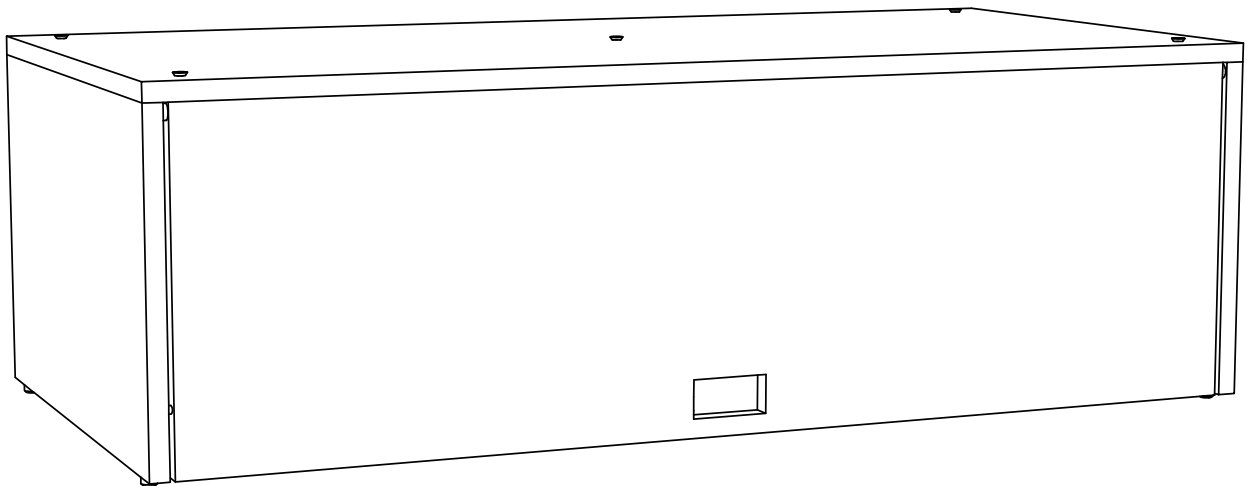
20



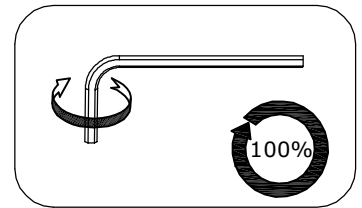
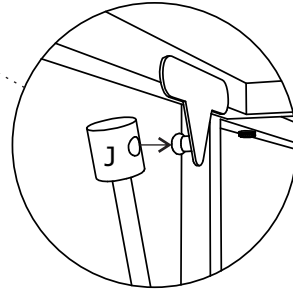
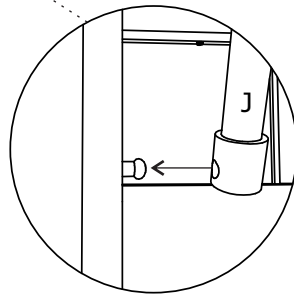
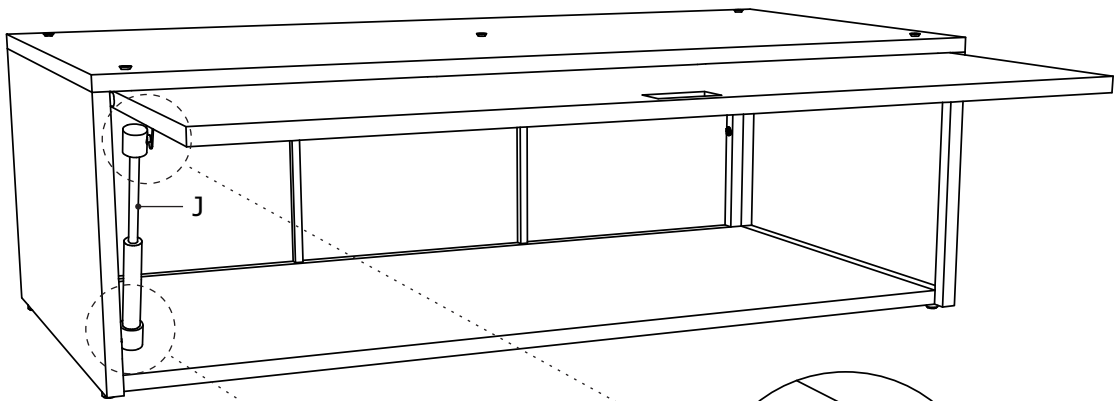
21



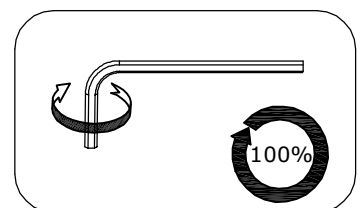
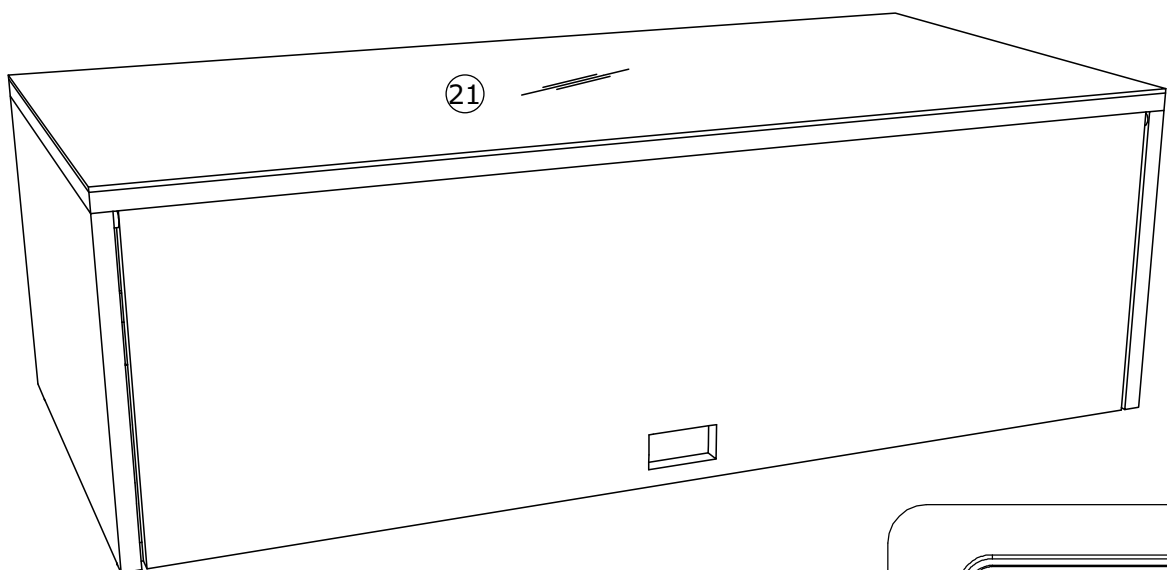
22



23



24



25

