

Thank you for purchasing this quality product. Be sure to check all packing material carefully for small parts which may have come loose inside the carton during shipment. Separate, identify and count all parts and hardware. Compare with the parts list to be sure all parts are present.

**IMPORTANT : PLEASE READ INSTRUCTION BEFORE STARTING THE ASSEMBLY.**

**"DO NOT TIGHTEN SCREWS UNTIL COMPLETELY ASSEMBLED"**

**"DO NOT OVERTIGHT ANY HARDWARE"**

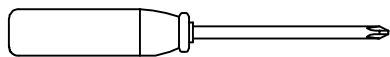
**WARNING : SMALL PARTS AND HARDWARE NOT FOR CHILDREN UNDER 3 YEARS. ADULT ASSEMBLY REQUIRED.**

### TABLE OF CONTENTS

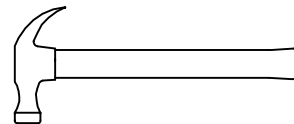
|                    |        |
|--------------------|--------|
| HARDWARES LIST     | PAGE 2 |
| PARTS LIST         | PAGE 3 |
| PARTS' LOCATION    | PAGE 4 |
| ASSEMBLY STEPS     | PAGE 5 |
| ASSEMBLY COMPLETED | PAGE 6 |

### ASSEMBLY TOOLS REQUIRED

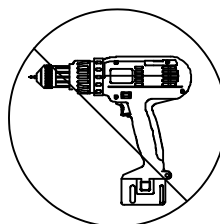
1. Screwdriver (not provide)




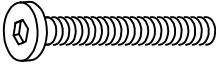
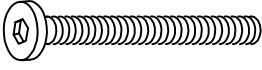



2. Hammer (not provide)



Skip the power drill this time.

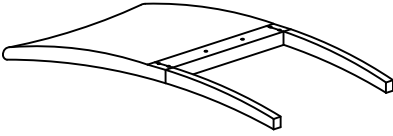
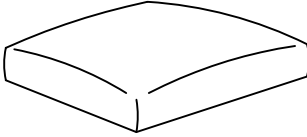
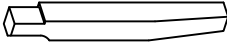


## HARDWARES LIST

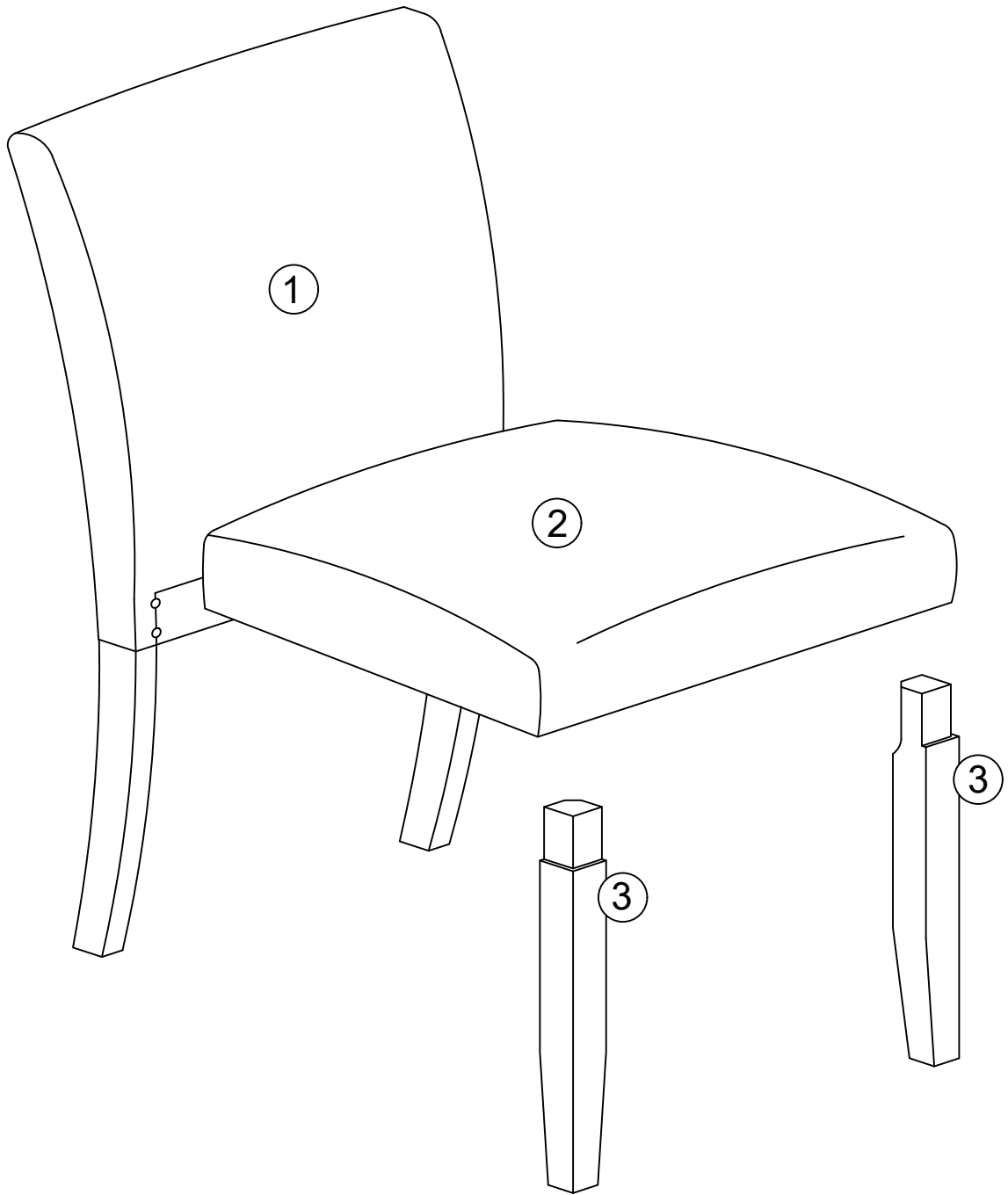
| ITEM | DESCRIPTION             | DRAWING  | QTY    |
|------|-------------------------|--|--------|
| A    | JCBC SCREW M6 x 40MM    |    | 4 PCS  |
| B    | JCBC SCREW M6 x 60MM    |    | 8 PCS  |
| C    | JCBC SCREW M6 x 80MM    |    | 8 PCS  |
| D    | SPRING WASHER M6 x 12mm |   | 20 PCS |
| E    | FLAT WASHER M6 x 19mm   |  | 20 PCS |
| F    | M4 ALLEN KEY (100MM)    |  | 1 PC   |

The hardware pack includes the hardware for TWO (2) chairs.

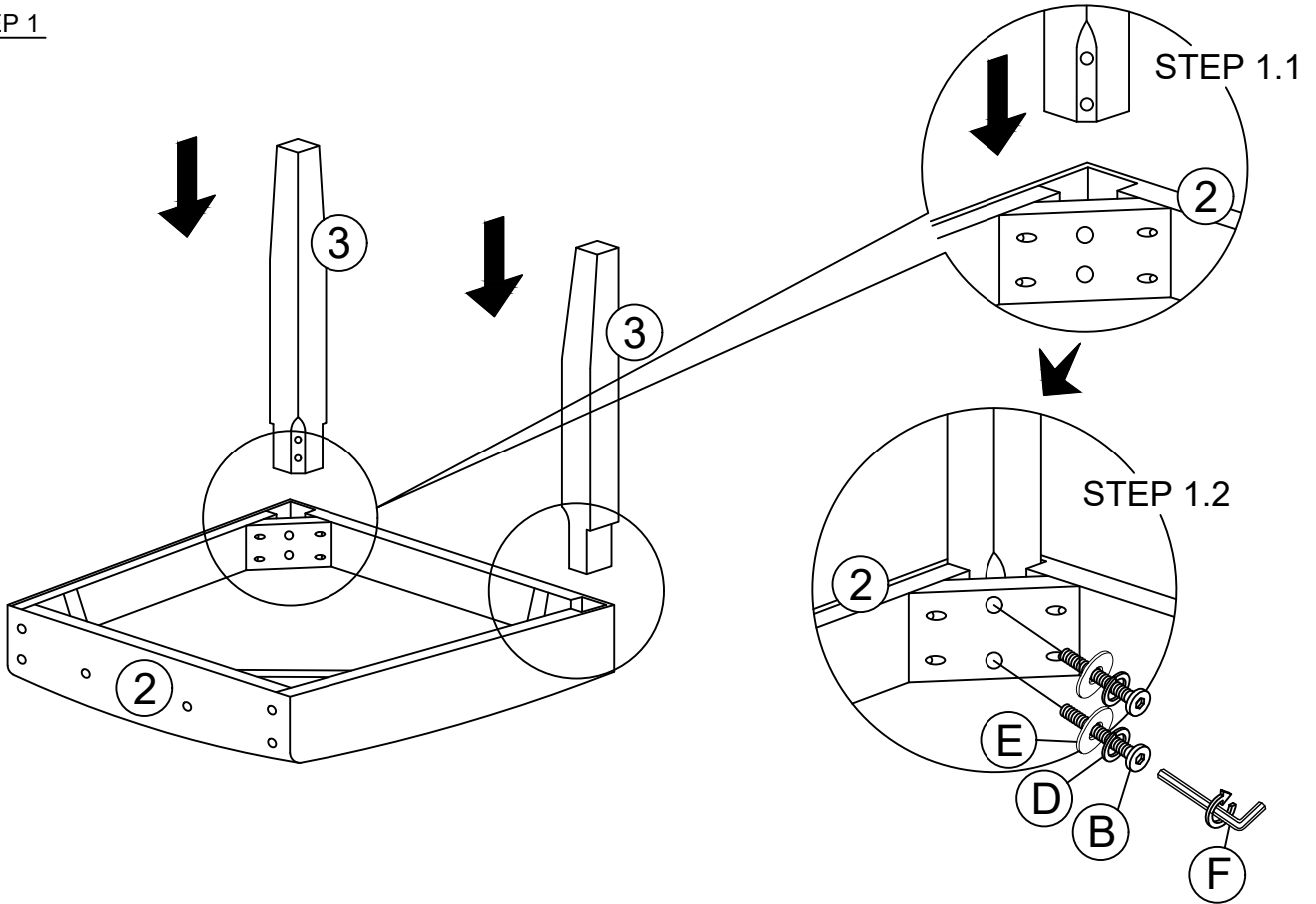
PARTS LIST

| ITEM | DESCRIPTION | DRAWING  | QTY   |
|------|-------------|--|-------|
| 1    | BACKREST    |  | 2 PCS |
| 2    | SEAT        |  | 2 PCS |
| 3    | FRONT LEG   |  | 4 PCS |

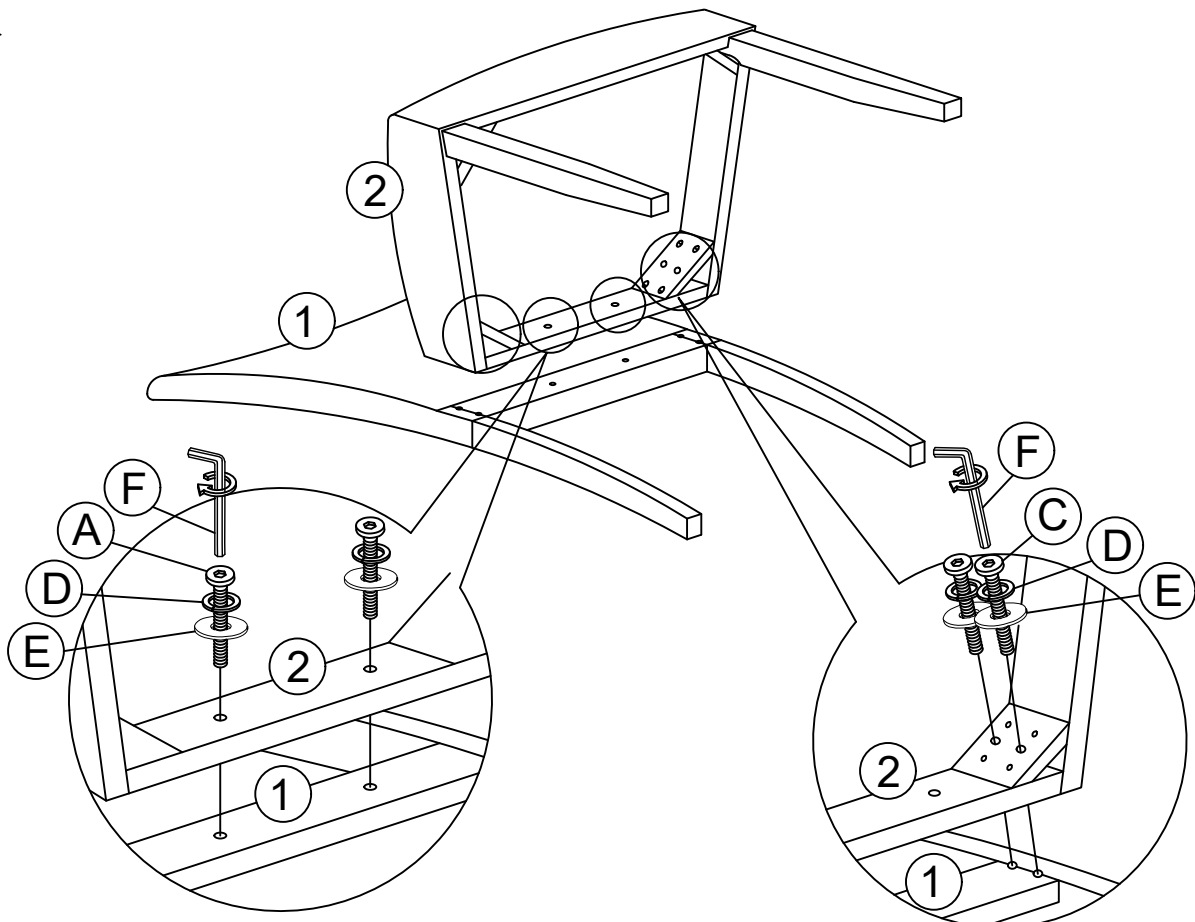
**PARTS ' LOCATION**

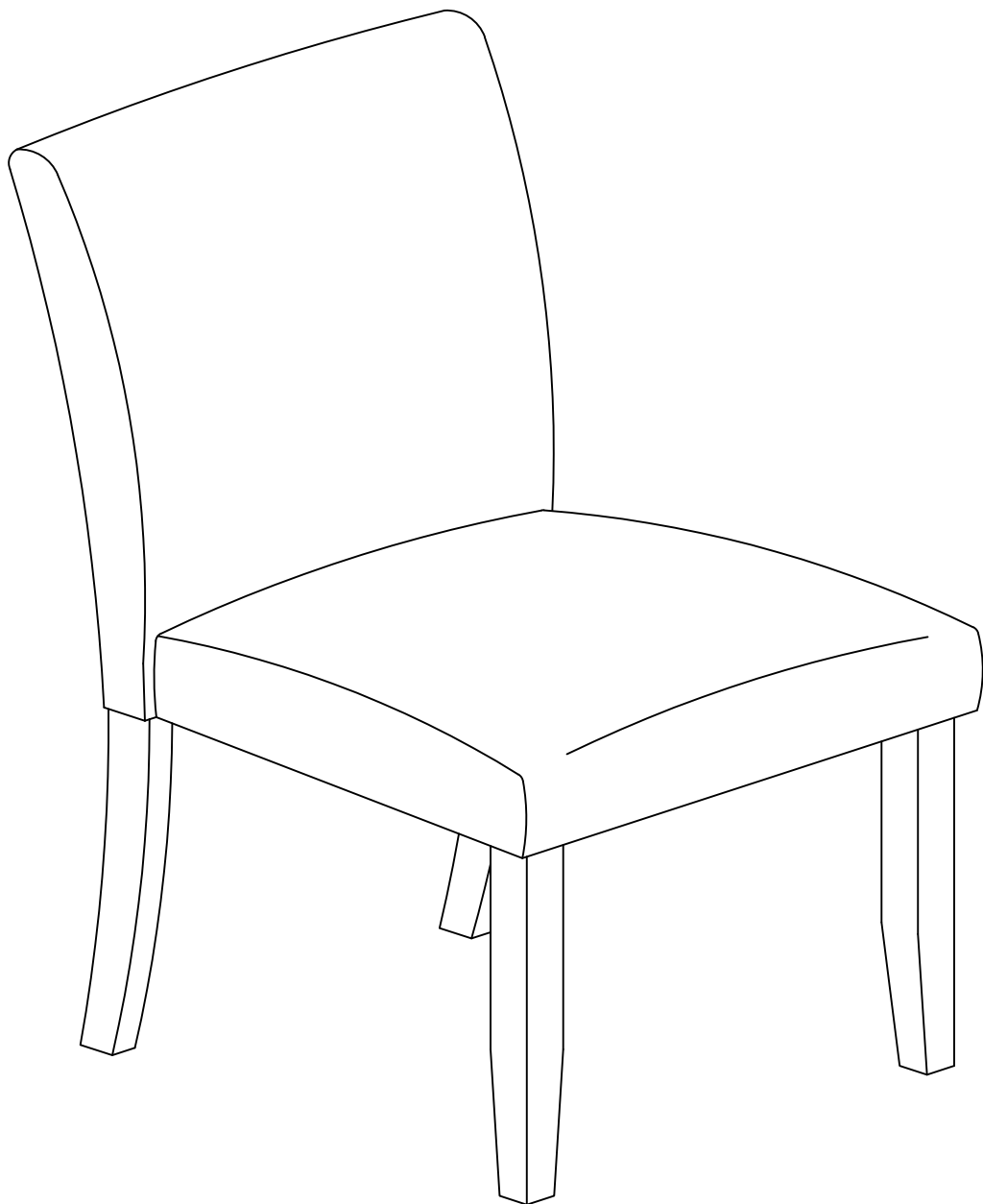


STEP 1



STEP 2





**ASSEMBLY  
COMPLETED**