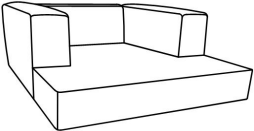


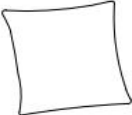
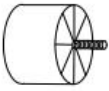
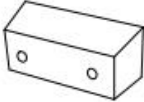




ASSEMBLY INSTRUCTION

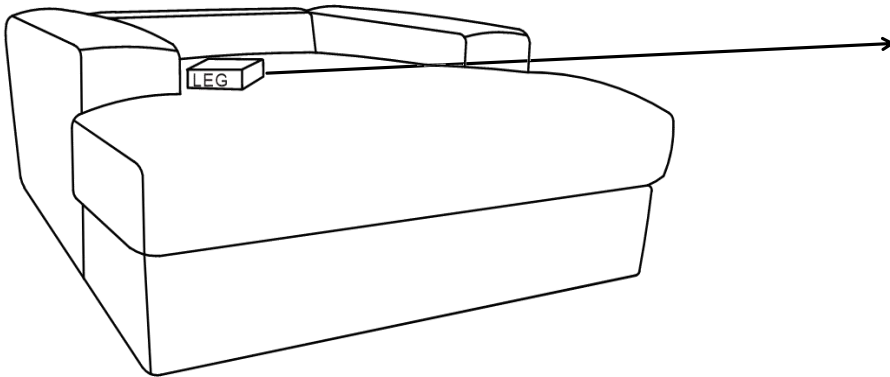
ITEM NO.: F10371-GY & F10372-LY & F10374-WH


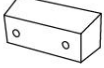


Before you beginning ,please follow below Assembly Instruction step by step.

Accessories List

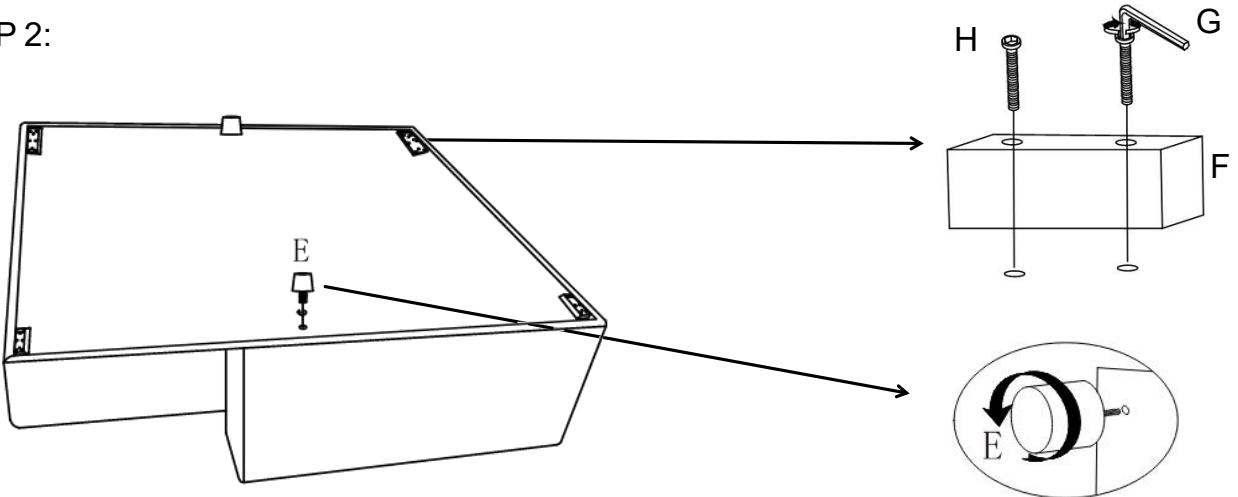
 <p>Chaise(1)</p>	 <p>Cushion(1)</p>	 <p>Backrest(1)</p>	 <p>Pillow(2)</p>
 <p>Middle leg(2)</p>	 <p>Leg(4)</p>	 <p>Allen Key(1)</p>	 <p>Bolt(8)</p>

STEP 1:

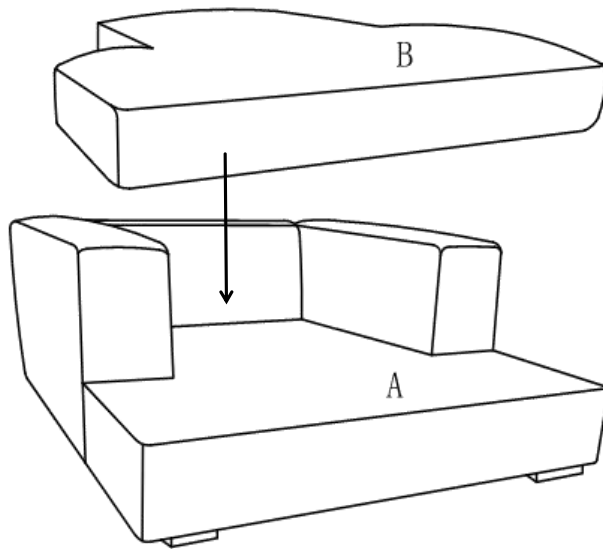


E		2PCS
F		4PCS
G		1PC
H		8PCS

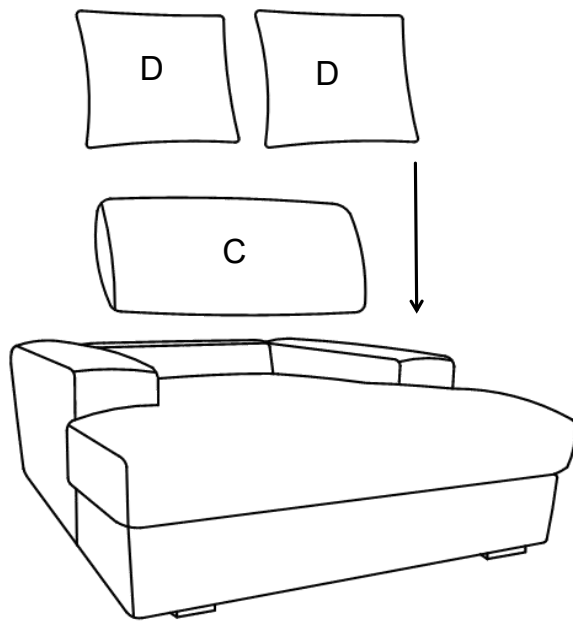
STEP 2:



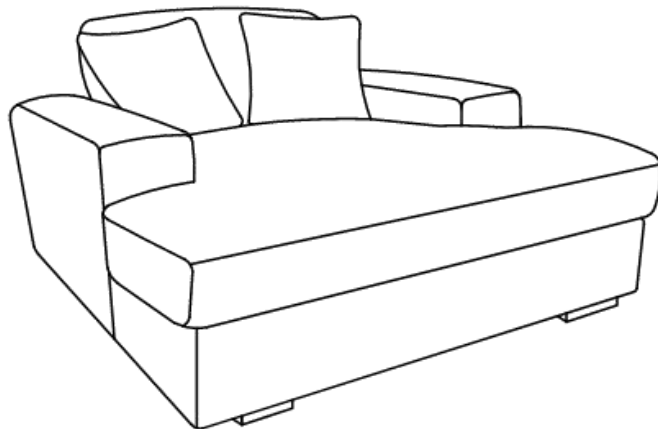
STEP 3:



STEP 4:



COMPLETE:



Toll-Free Number: 1-833-273-2277