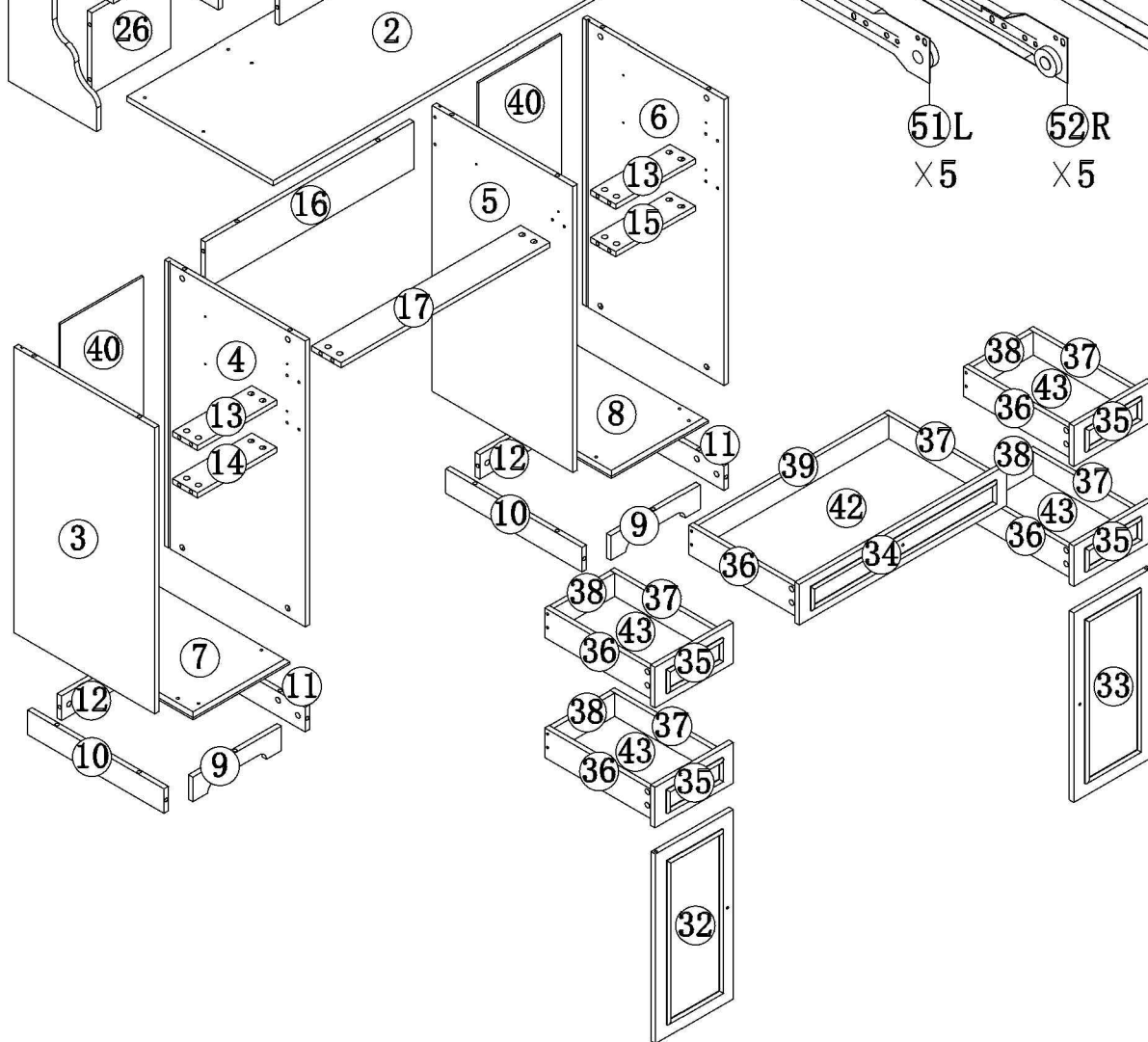
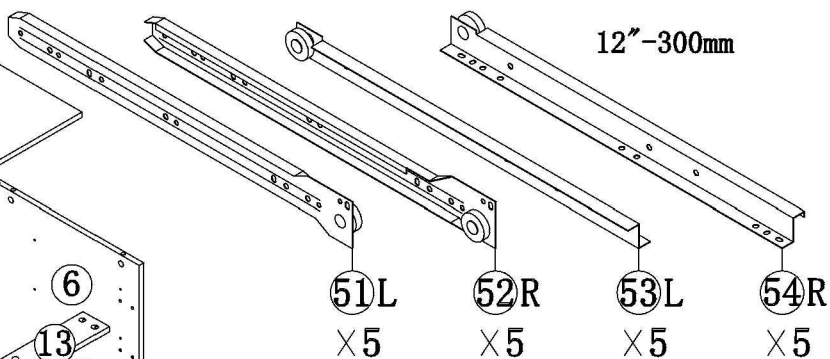
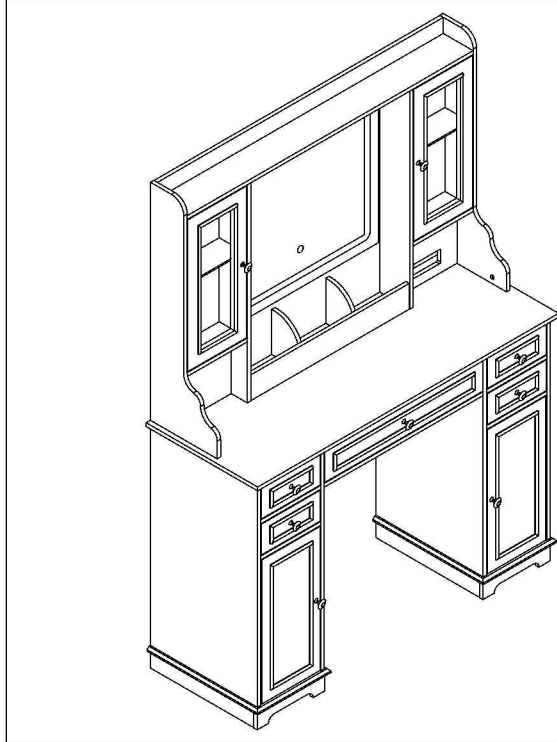
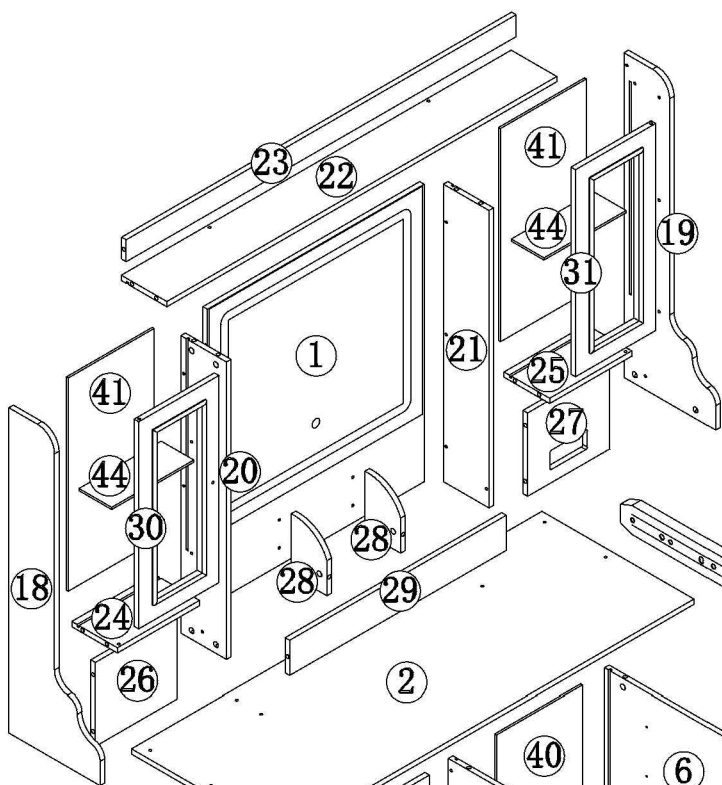
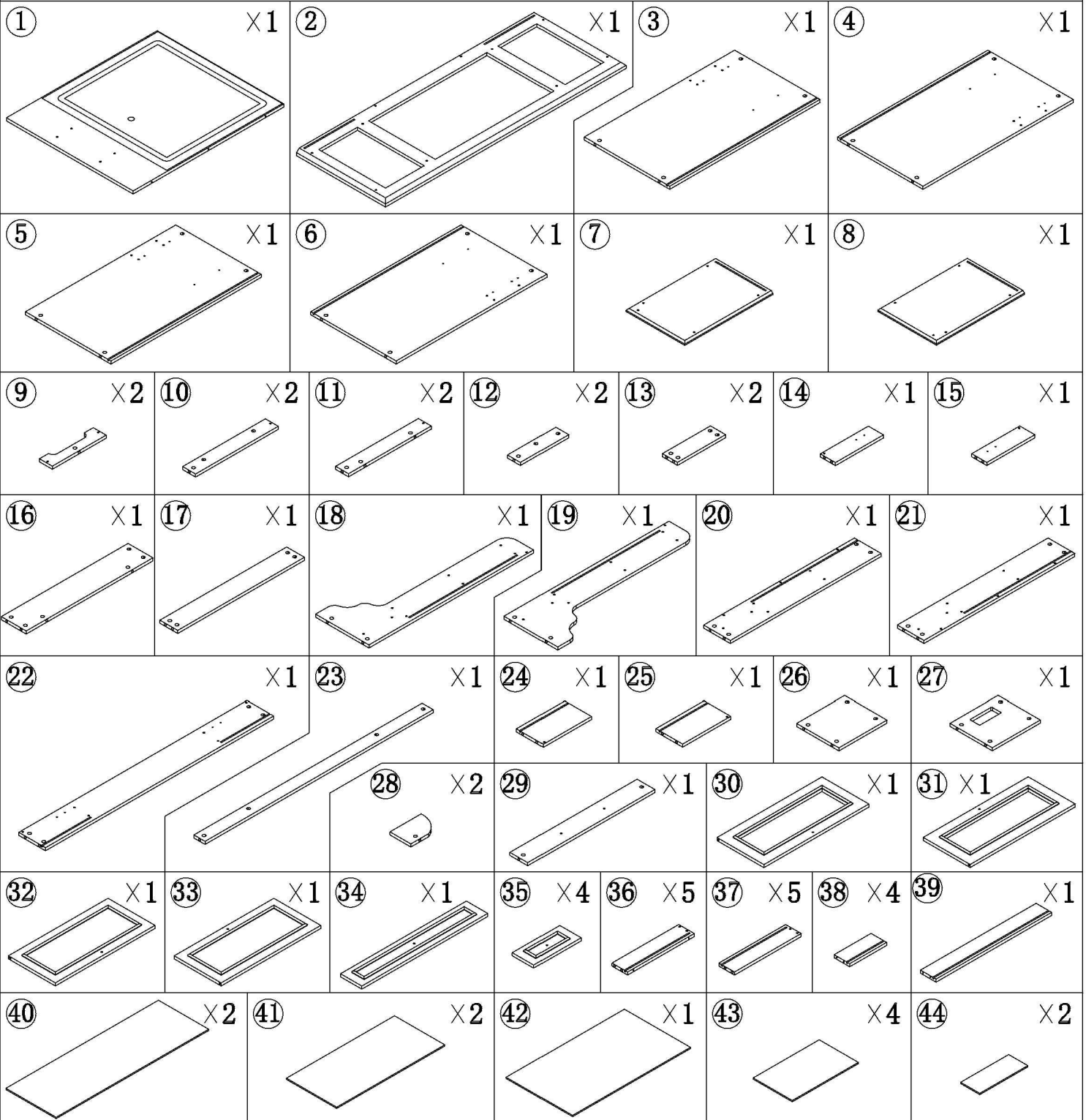


# (TTAK010) ASSEMBLY INSTRUCTION P1



# (TTAK010) ASSEMBLY INSTRUCTION P2



A ×122	B ×122	C ×9	D ×9	G ×30	I ×19	J ×50	K ×8	L ×8
φ6*28mm	φ12*10mm		φ4*16mm	φ4*30mm	φ4*14mm	φ4*12mm		
N ×1	O ×4	P ×4	R ×8	U ×2	V ×8	Y ×1	Z ×1	

# (TTAK010) ASSEMBLY INSTRUCTION P3

**1**

**2**

A	×18
φ6*28mm	

**2**

Must be installed in correct holes.

**51L**

A	×4	J	×4
φ6*28mm		φ4*12mm	

**3**

Must be installed in correct holes.

**52R**

A	×8	J	×6
φ6*28mm		φ4*12mm	

**4**

Must be installed in correct holes.

**52R**

A	×8	J	×6
φ6*28mm		φ4*12mm	

Must be installed in correct holes.

**51L**

A	×8	J	×6
φ6*28mm		φ4*12mm	

**5**

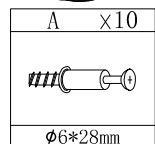
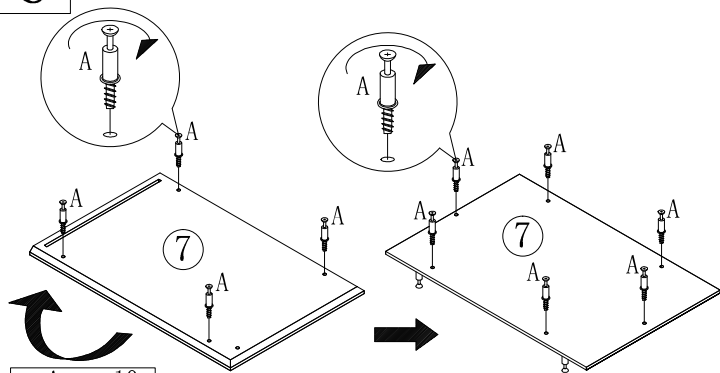
Must be installed in correct holes.

**52R**

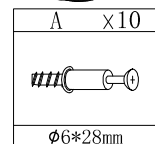
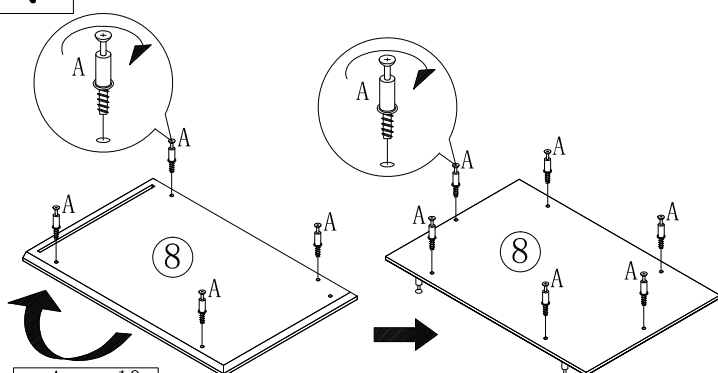
A	×4	J	×4
φ6*28mm		φ4*12mm	

# (TTAK010) ASSEMBLY INSTRUCTION P4

6

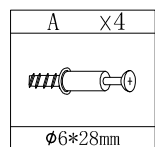
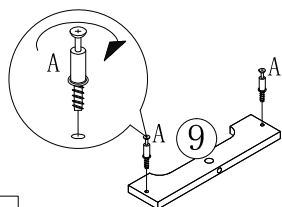


7



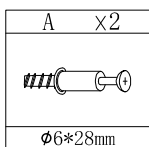
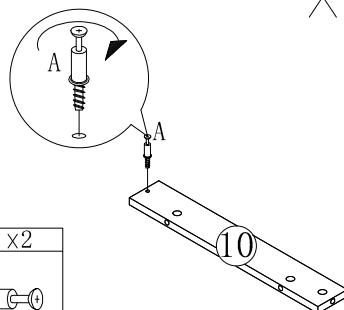
8

x2



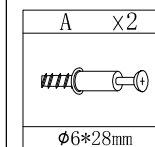
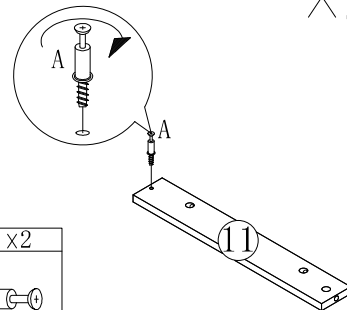
9

x2



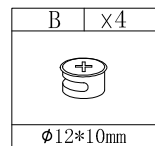
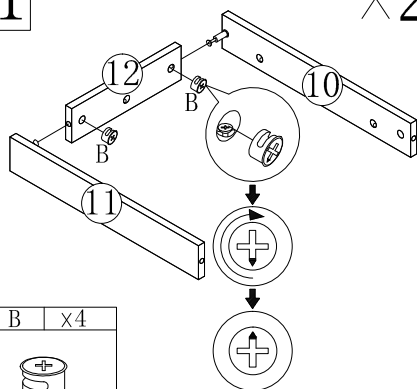
10

x2



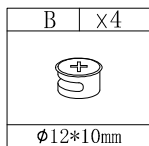
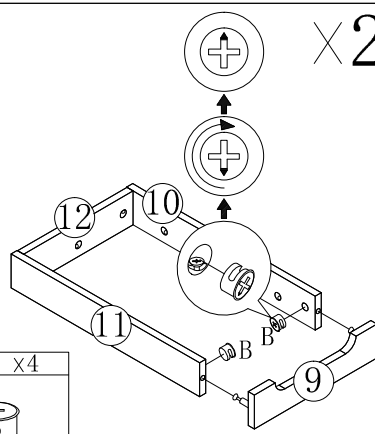
11

x2

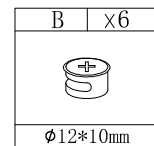
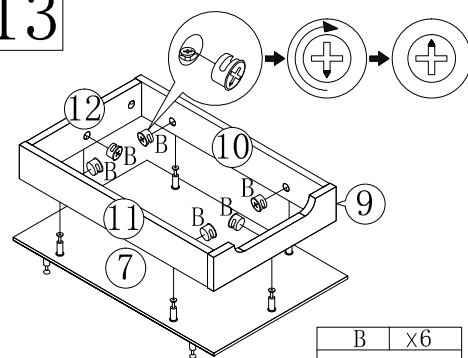


12

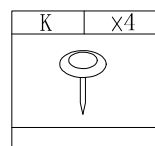
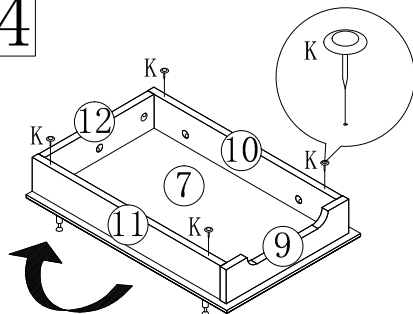
x2



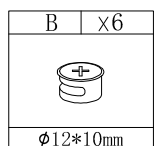
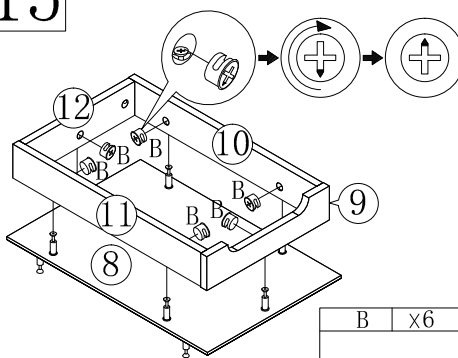
13



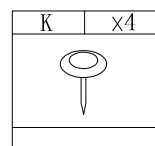
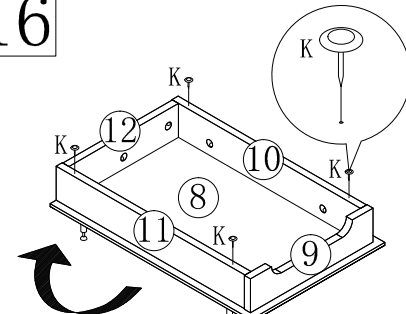
14



15



16



# (TTAK010) ASSEMBLY INSTRUCTION

P5

**17**

I	x2
$\phi 4 \times 14 \text{mm}$	
0	x1

**18**

I	x2
$\phi 4 \times 14 \text{mm}$	
0	x1

**19**

C	x1	D	x1		
		$\phi 4 \times 16 \text{mm}$			
L	x2	J	x2	P	x1
		$\phi 4 \times 12 \text{mm}$			

**20**

C	x1	D	x1		
		$\phi 4 \times 16 \text{mm}$			
L	x2	J	x2	P	x1
		$\phi 4 \times 12 \text{mm}$			

**21**

B	x8
$\phi 12 \times 10 \text{mm}$	

**22**

B	x4
$\phi 12 \times 10 \text{mm}$	

**23**

B	x4
$\phi 12 \times 10 \text{mm}$	

**24**

B	x8
$\phi 12 \times 10 \text{mm}$	

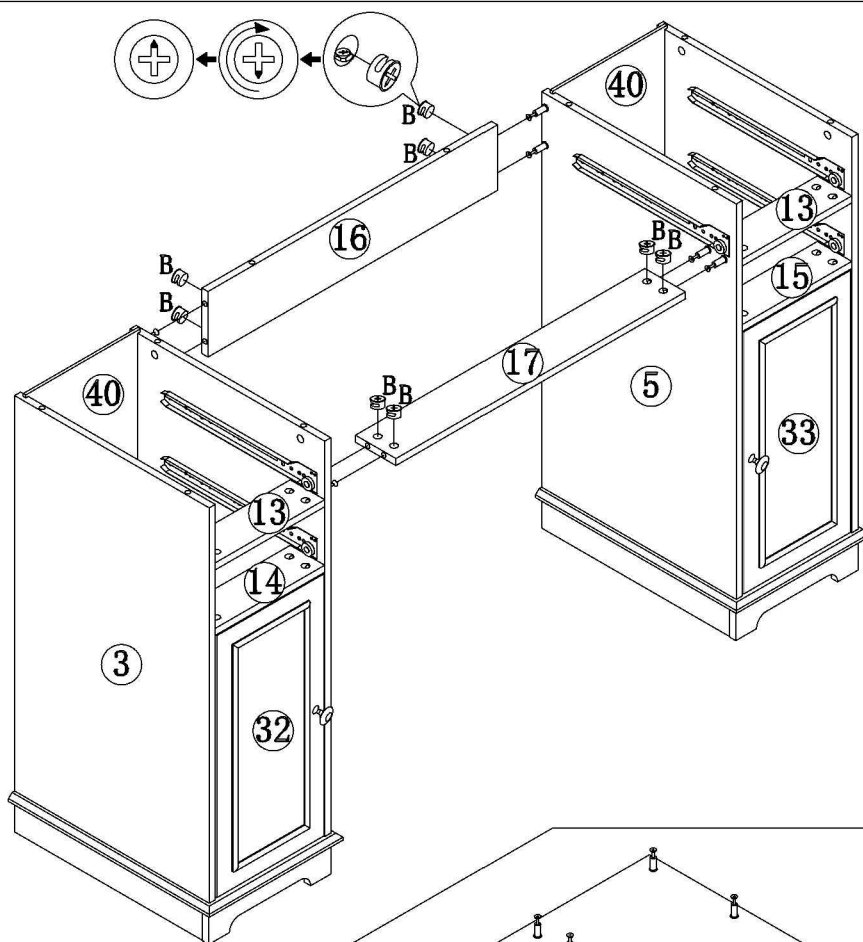
**25**


B	x4
$\phi 12 \times 10 \text{mm}$	

**26**

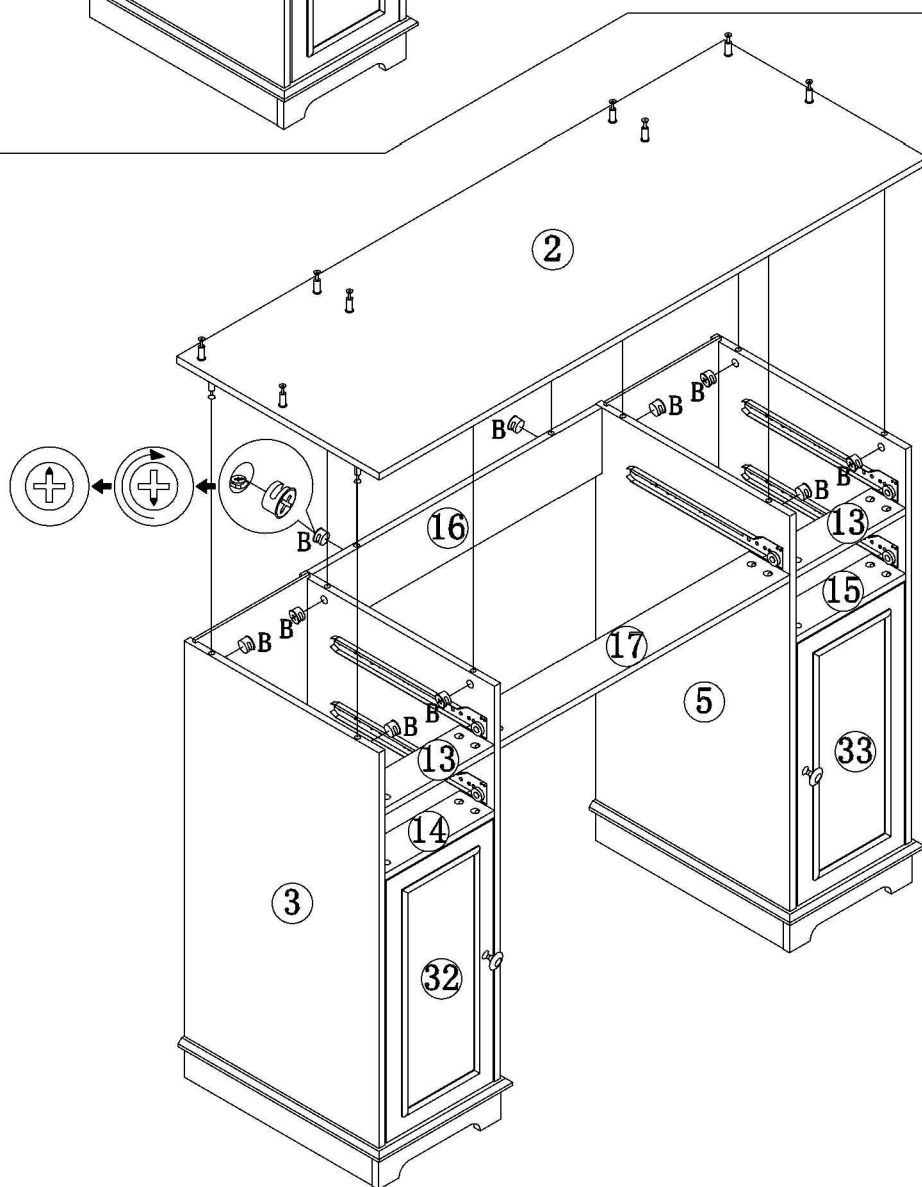
B	x4
$\phi 12 \times 10 \text{mm}$	


27



B	x8
	
Ø12*10mm	

28



B	x10
	
Ø12*10mm	

# (TTAK010) ASSEMBLY INSTRUCTION P7

**29**

A	x7	R	x2

**30**

A	x7	R	x2

**31**

A	x5	R	x2

**32**

A	x5	R	x2

**33**

A	x6	I	x4	O	x2

**34**

A	x2

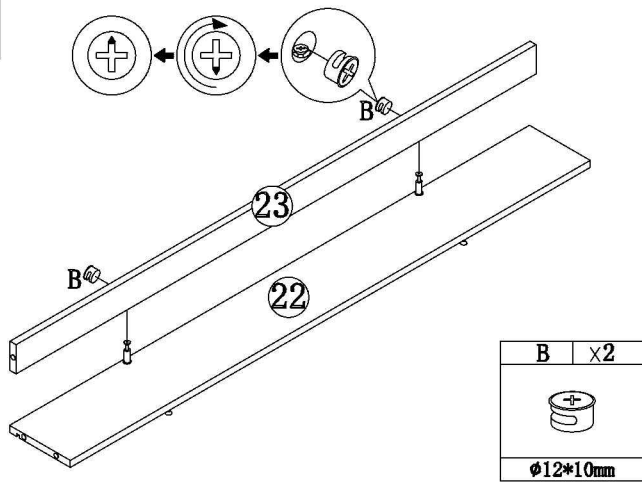
**35**

C	x1	D	x1
J	x2	L	x2

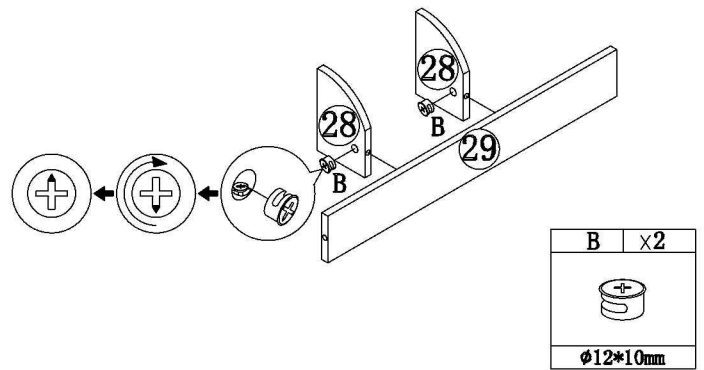
**36**

C	x1	D	x1
J	x2	L	x2

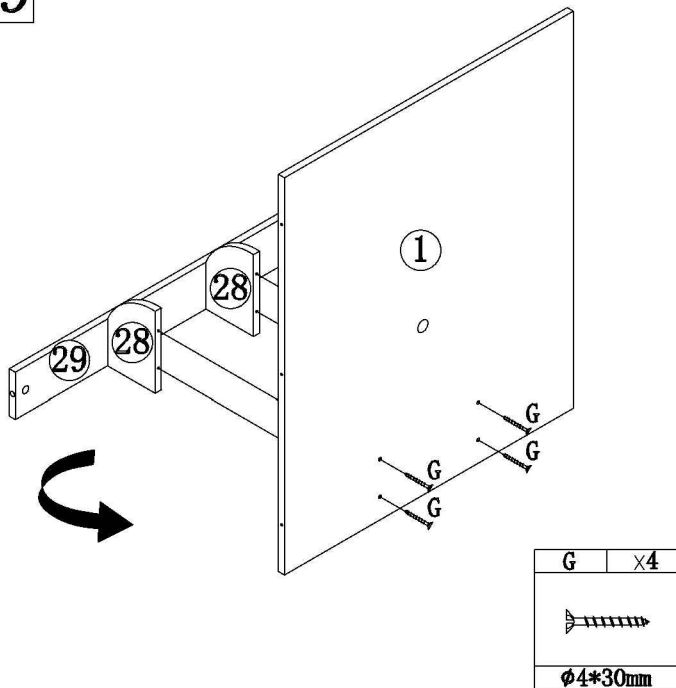
### 37



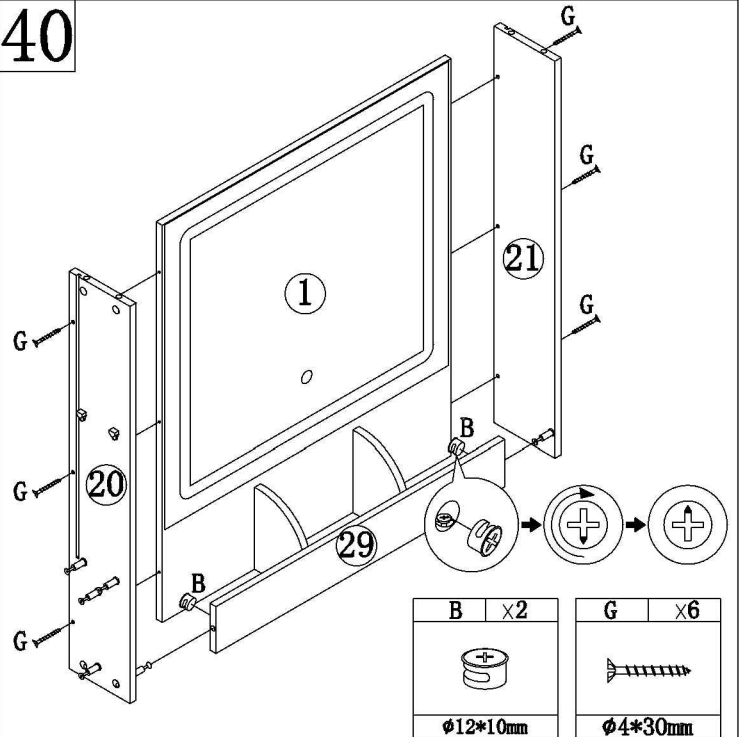
### 38



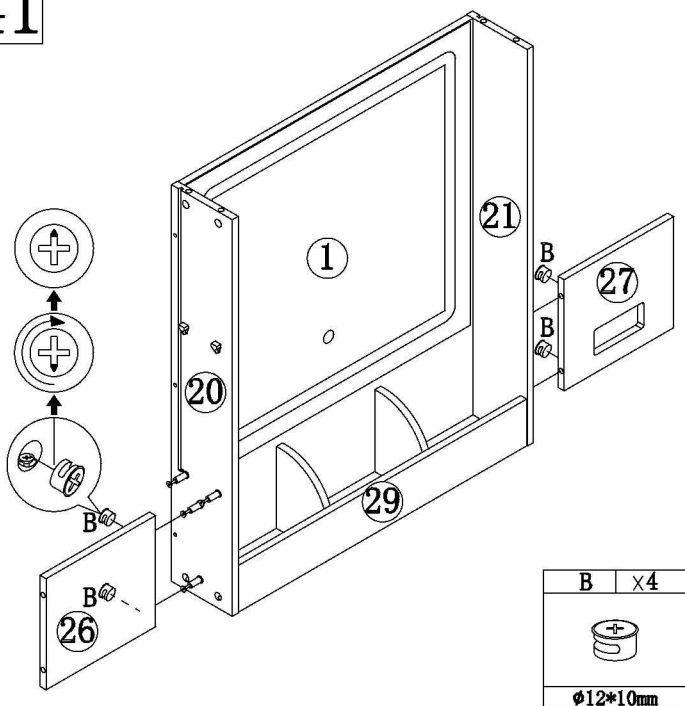
### 39



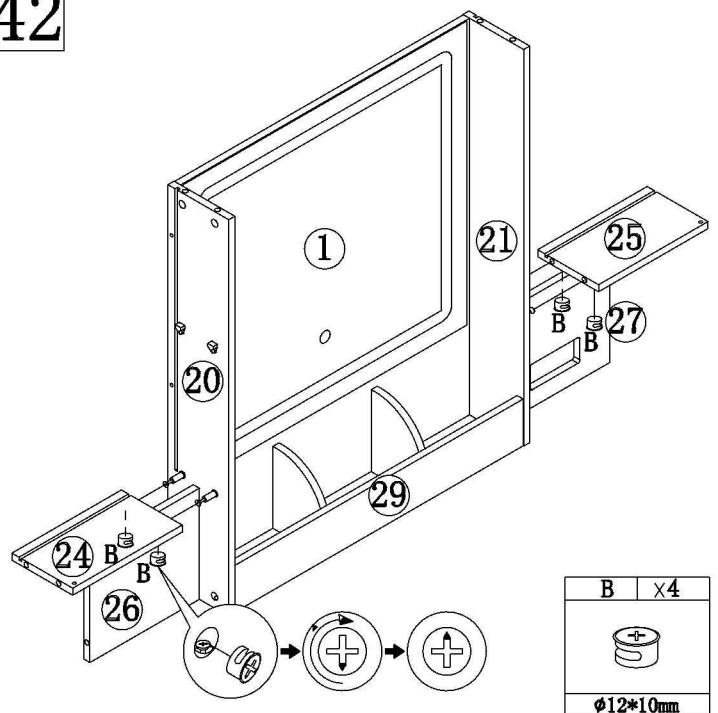
### 40



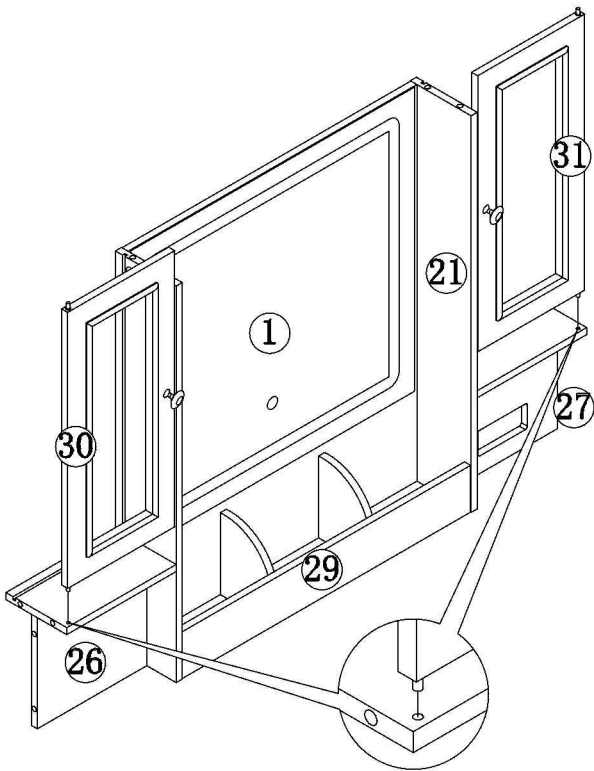
### 41



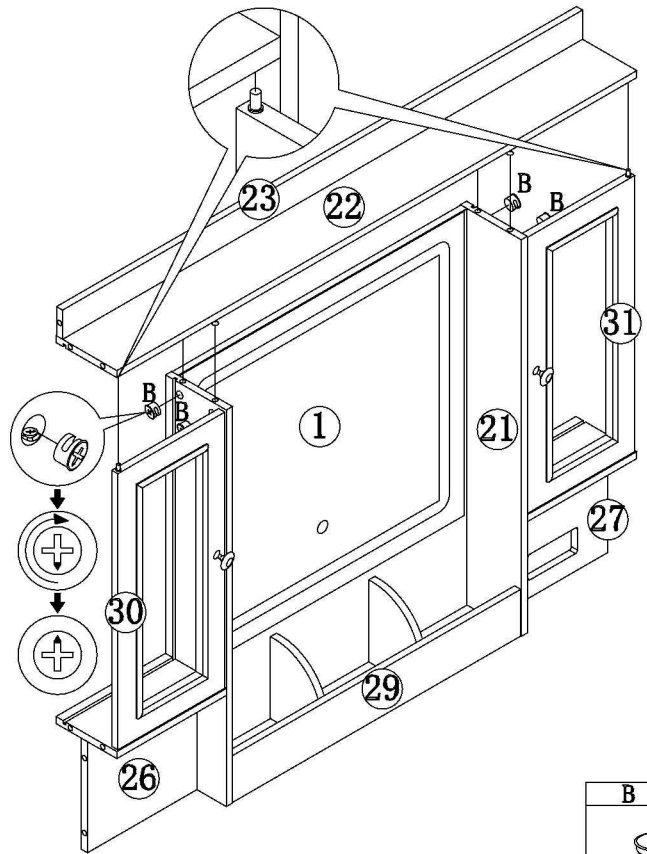
### 42



## 43

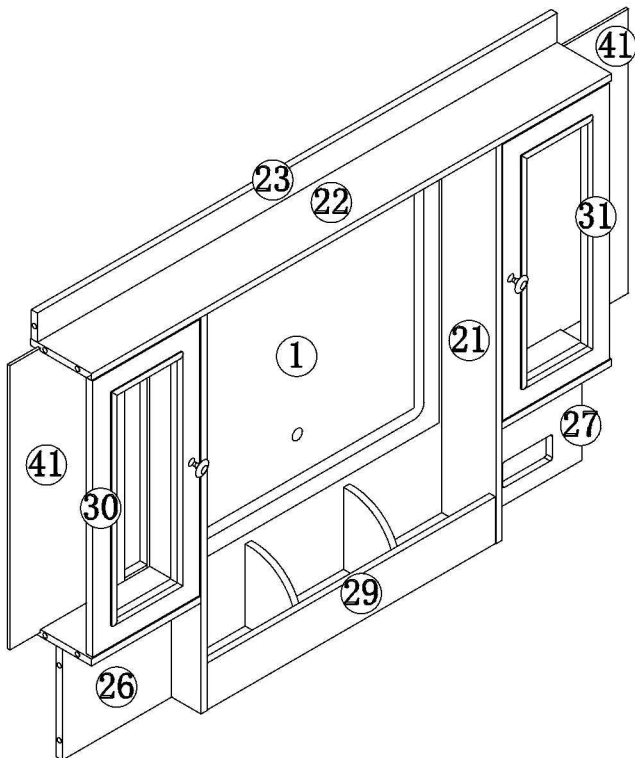


## 44

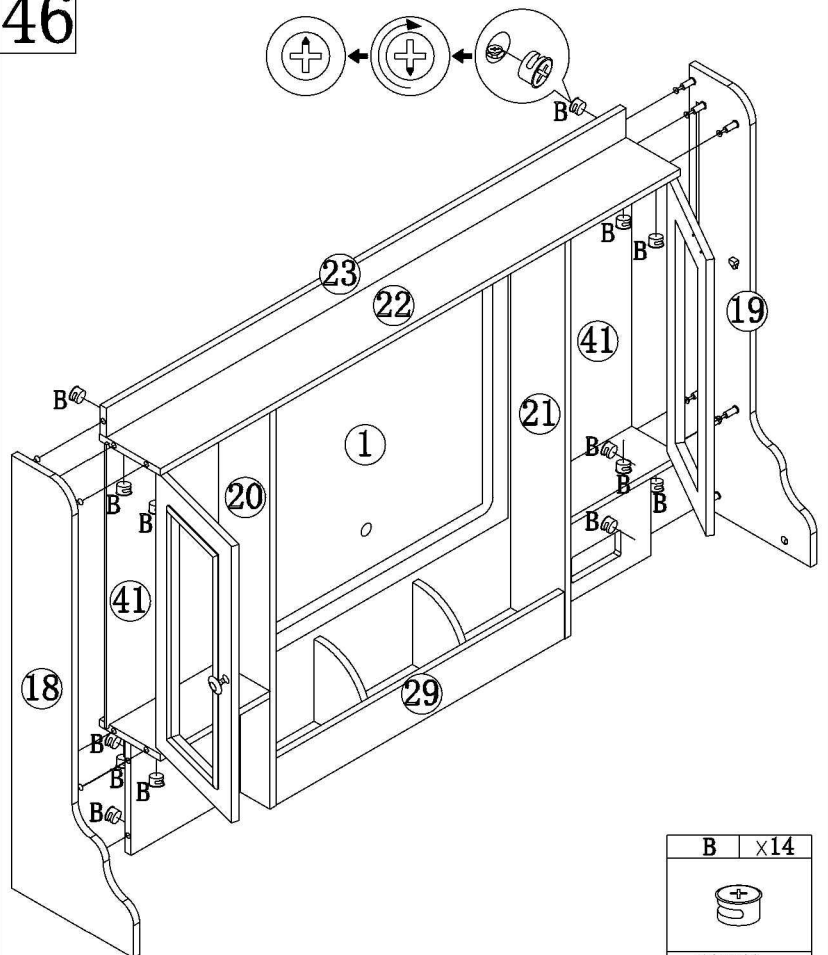


B	x4
ø12*10mm	

## 45

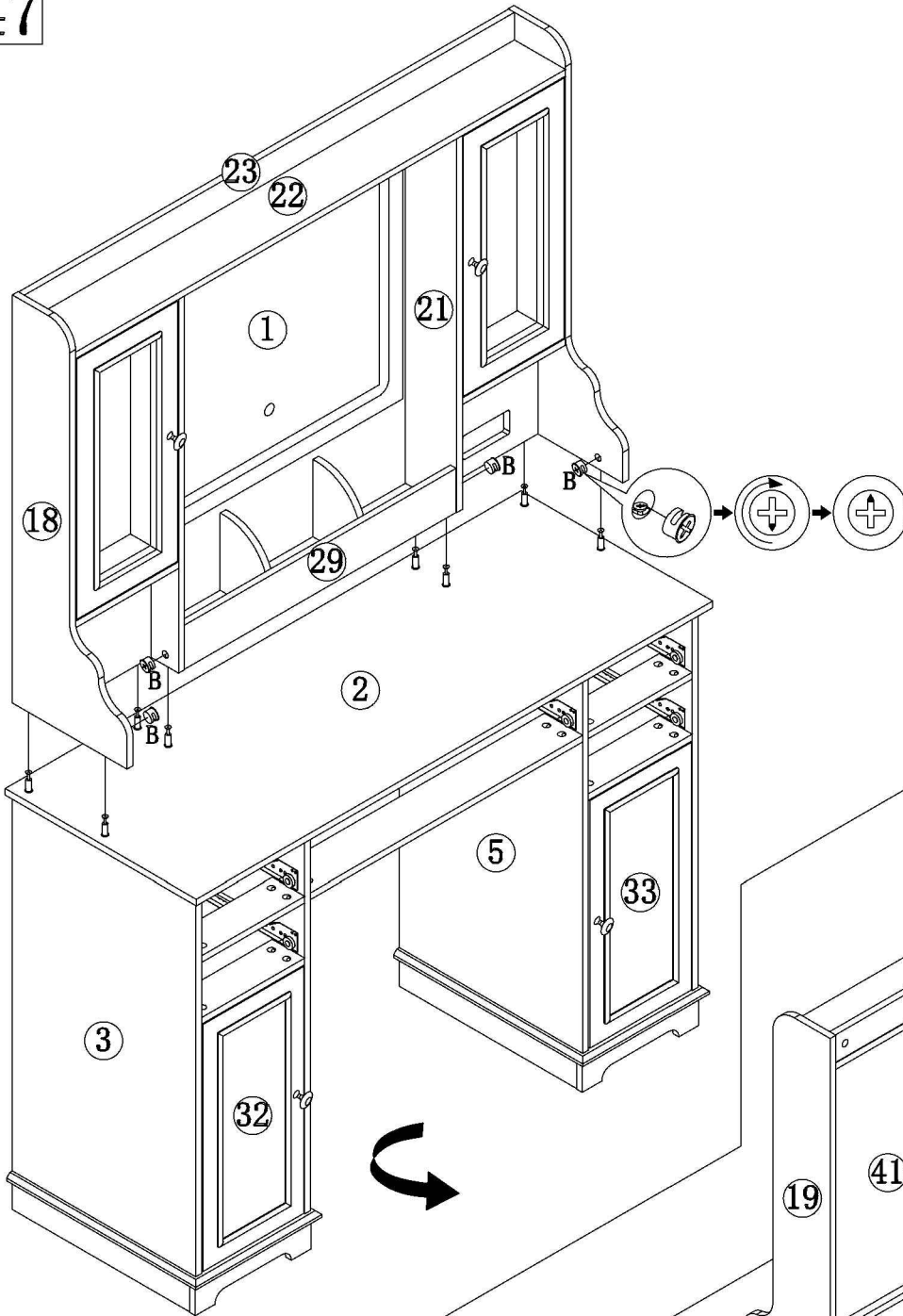



## 46



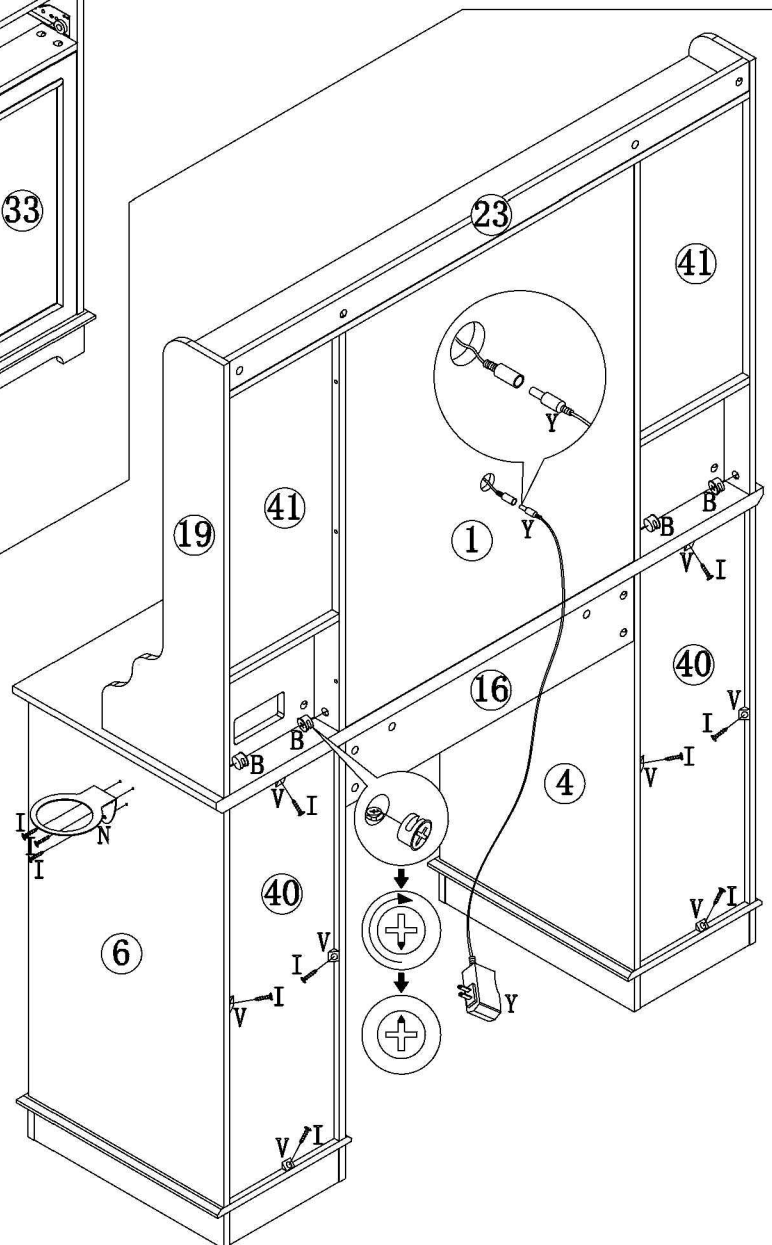
B	x14
ø12*10mm	



## 47



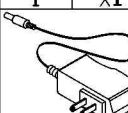


B	×4
	
φ12*10mm	

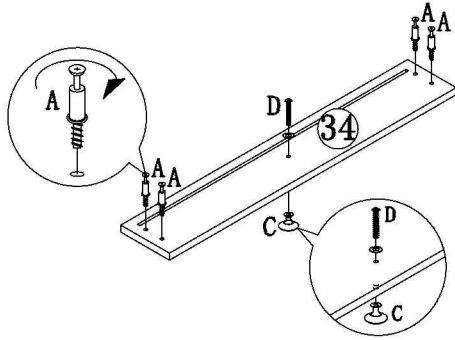
## 48



B	×4	I	×11
			
φ12*10mm		φ4*14mm	

N	×1	V	×8	Y	×1
					

## 49

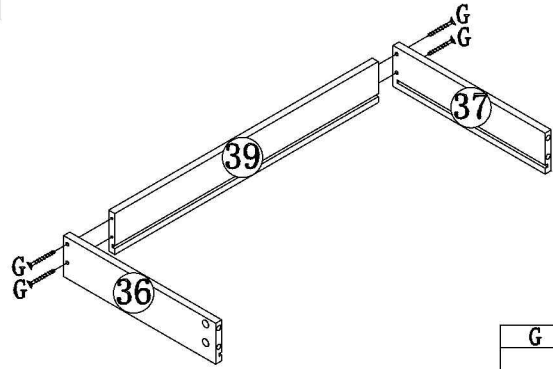


A	x4
$\phi 6 \times 28 \text{mm}$	

C	x1

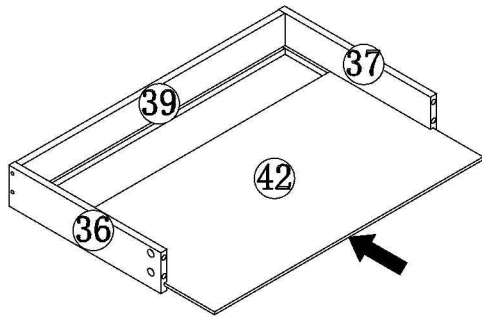
D	x1
$\phi 4 \times 16 \text{mm}$	

## 50

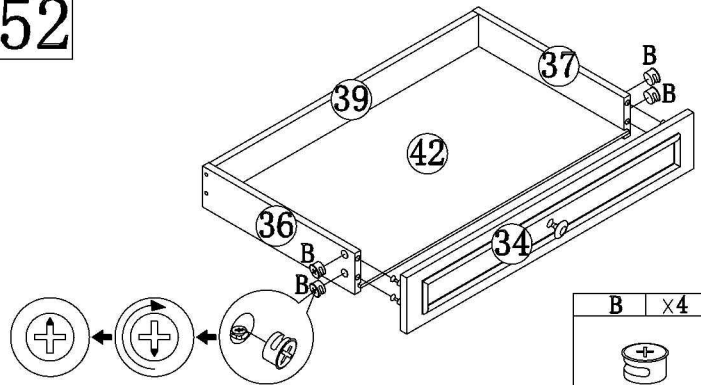


G	x4
$\phi 4 \times 30 \text{mm}$	

## 51



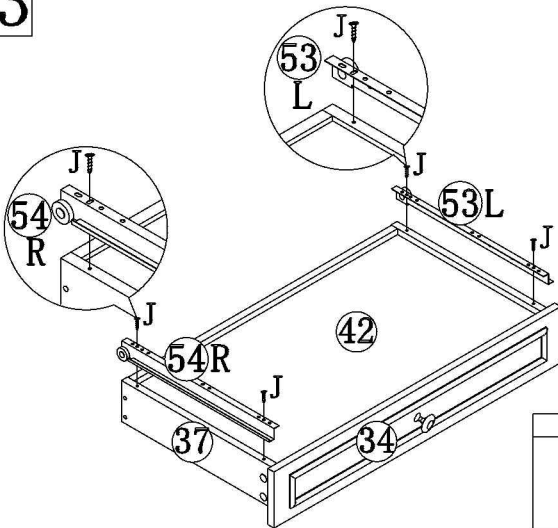
## 52



B	x4
$\phi 12 \times 10 \text{mm}$	

## 53

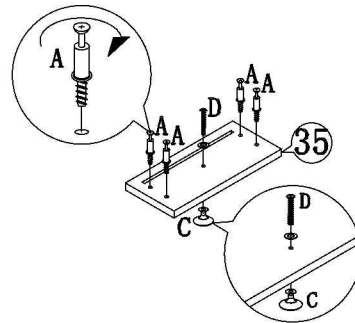
Must be installed in correct holes.



J	x4
$\phi 4 \times 12 \text{mm}$	

## 54

### x4



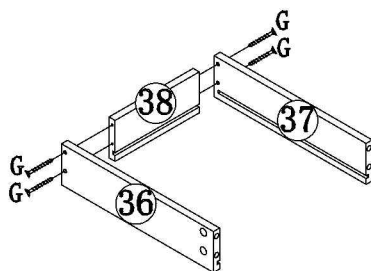
A	x16
$\phi 6 \times 28 \text{mm}$	

C	x4

D	x4
$\phi 4 \times 16 \text{mm}$	

## 55

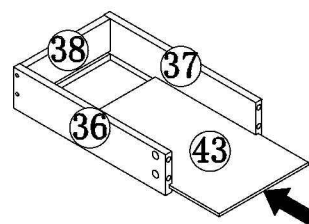
### x4



G	x16
$\phi 4 \times 30 \text{mm}$	

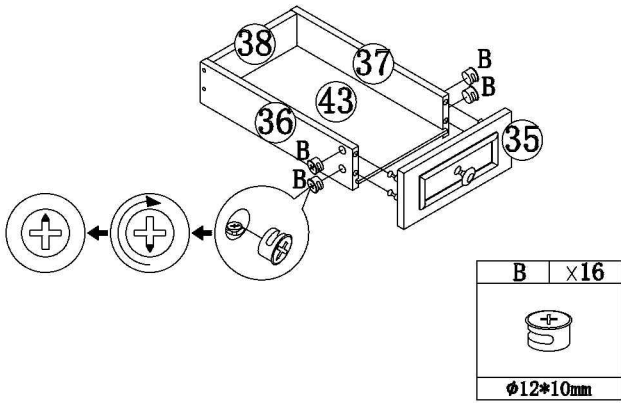
## 56

### x4



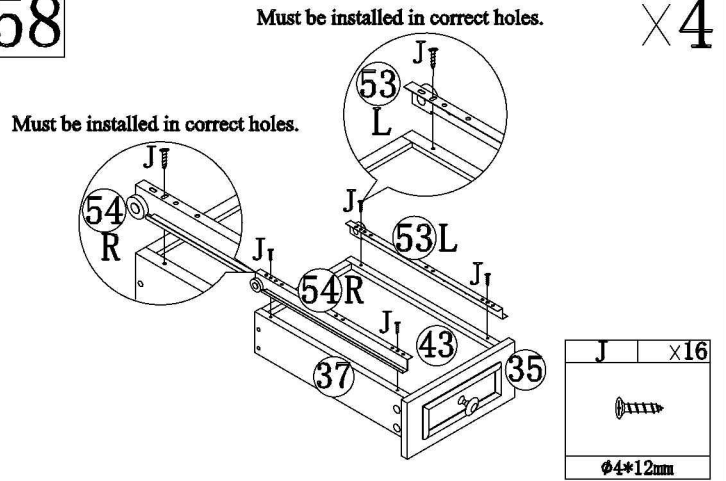
## 57

### ×4



## 58

### ×4



## 59

