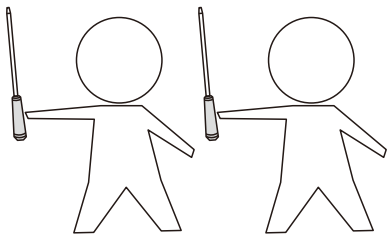


INSTRUCTIONS

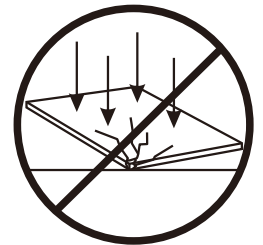
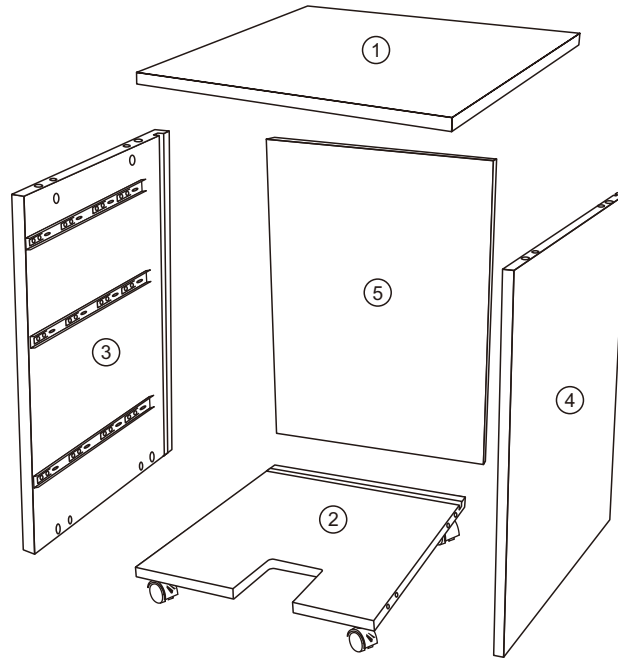
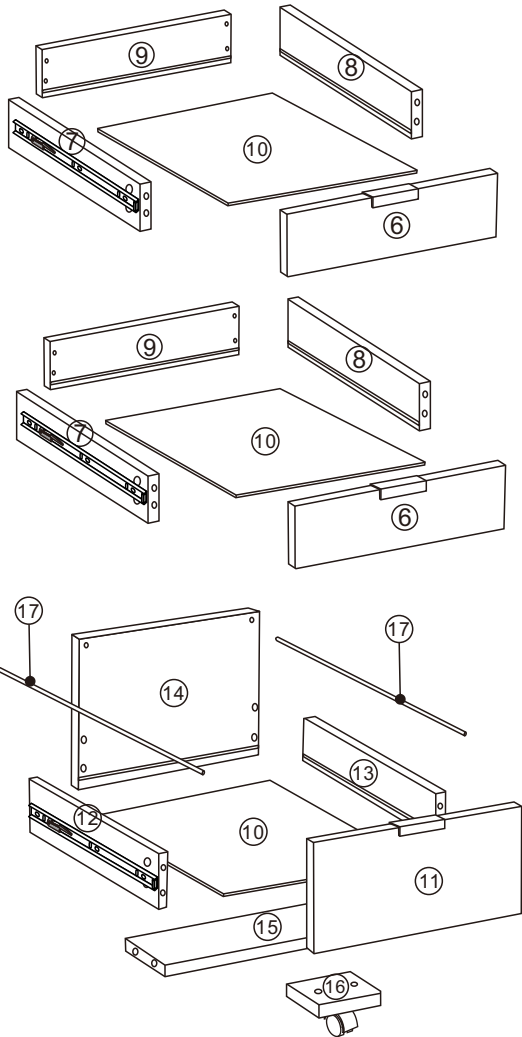


Installation Notes:

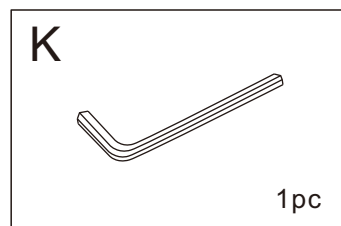
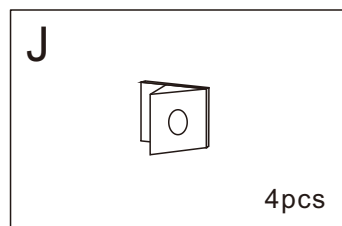
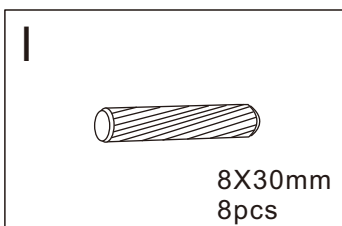
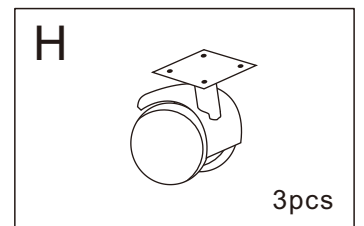
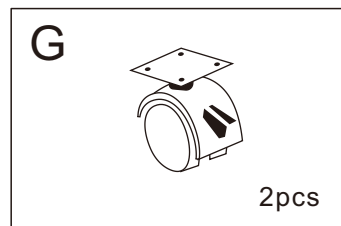
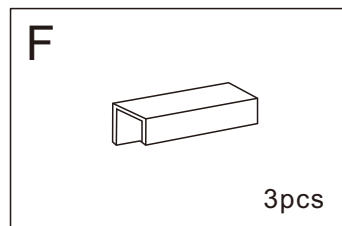
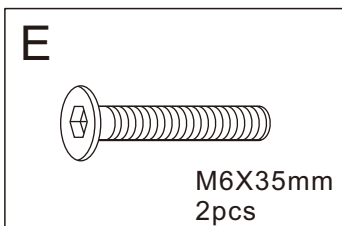
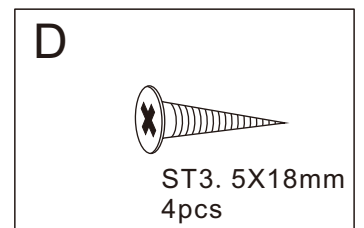
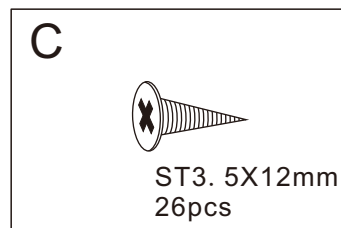
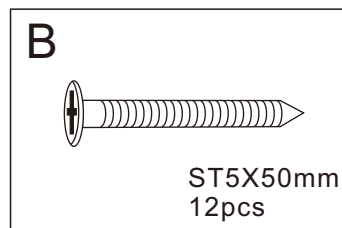
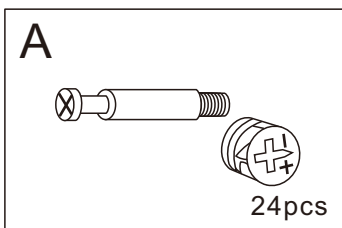
- 1. Before starting to assemble, please check the number of parts referring to this instruction.**
- 2. Before starting to assemble, please check the condition of the parts. If any damage is found, please contact us.**
- 3. Be careful of the heavy board.**
- 4. Handle with care to avoid damaging floor and the product.**
- 5. Recommendation of 2-3 people for easier installation.**



Need to prepare

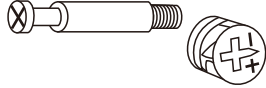


Wood board is fragile



1

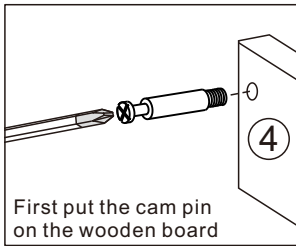
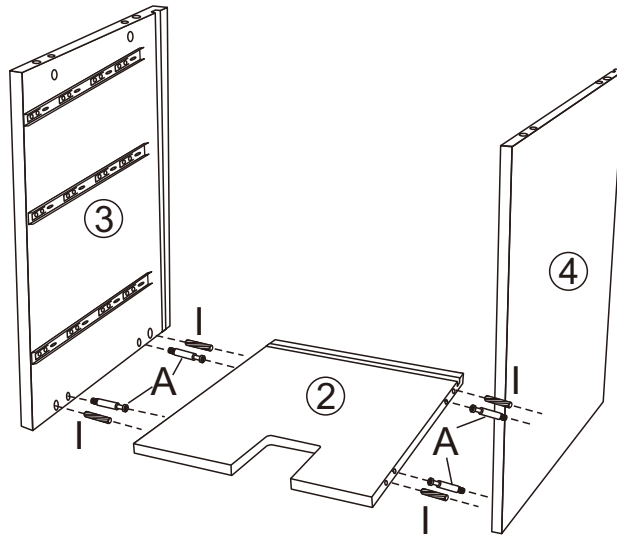
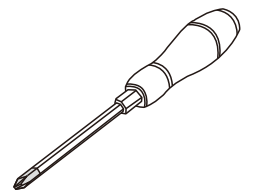
A*4



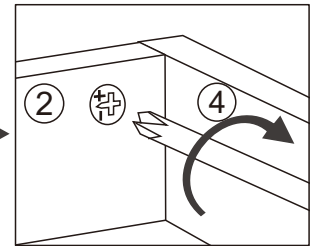
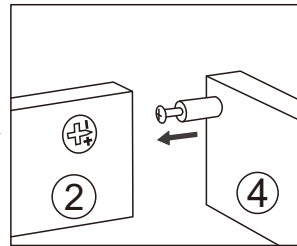
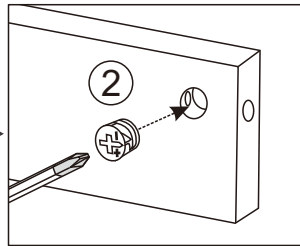
I*4



8X30mm

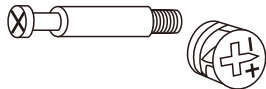


First put the cam pin on the wooden board



2

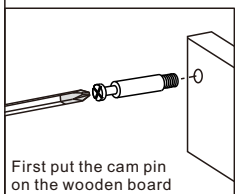
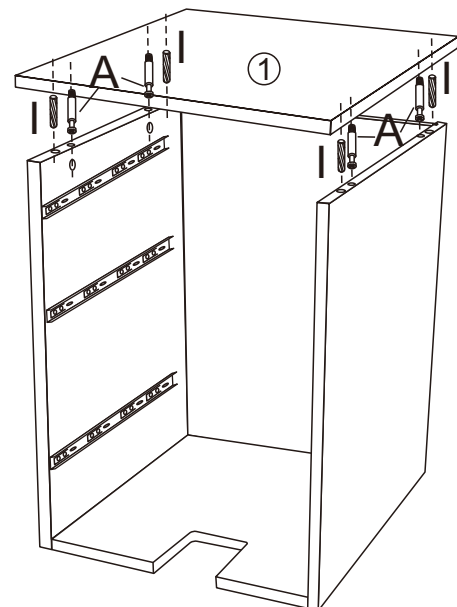
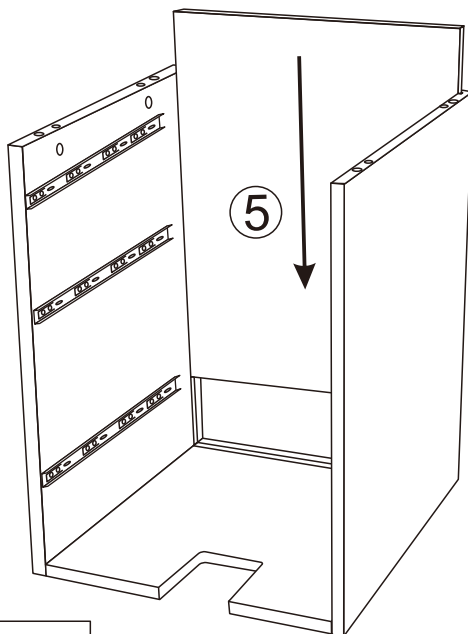
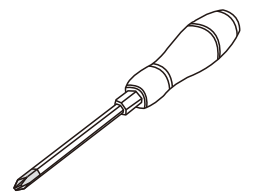
A*4



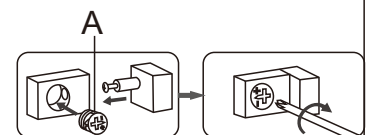
I*4



8X30mm

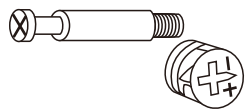


First put the cam pin on the wooden board



3

A*8

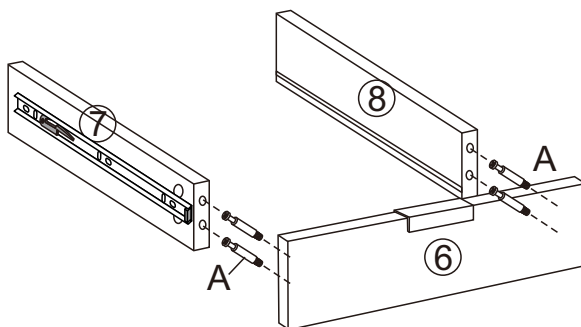
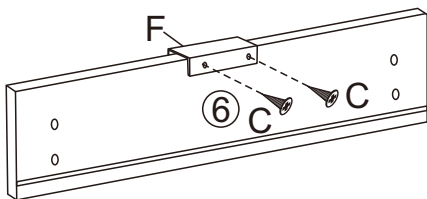
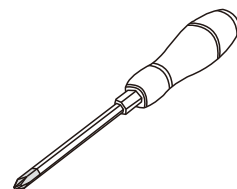


C*4

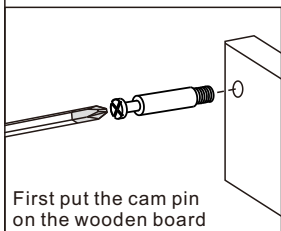


ST3. 5X12mm

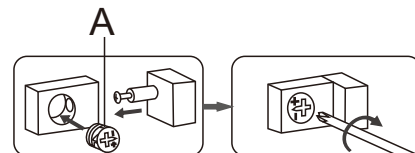
F*2



X2

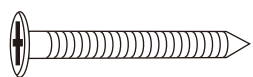


First put the cam pin on the wooden board

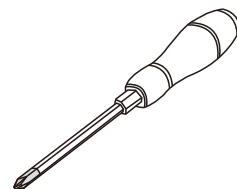


4

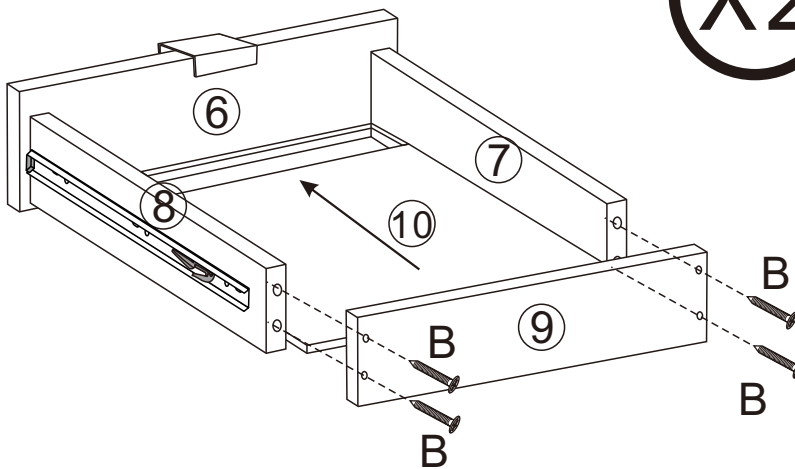
B*8



ST5X50mm

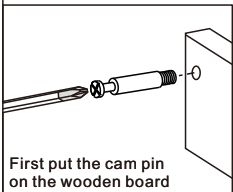
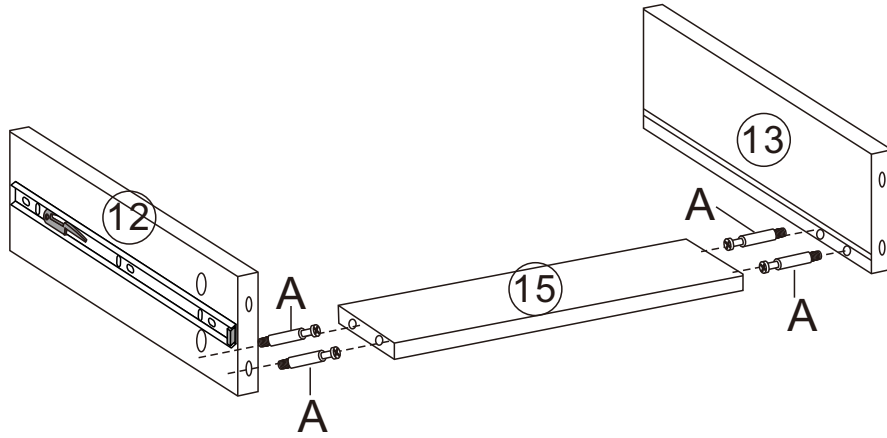
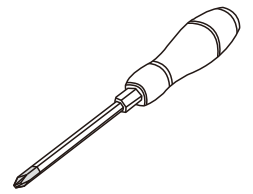
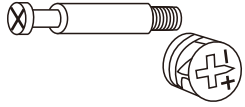


X2

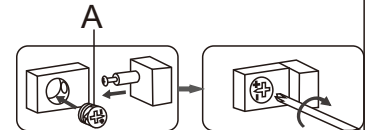


5

A*4

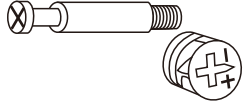


First put the cam pin on the wooden board



6

A*4

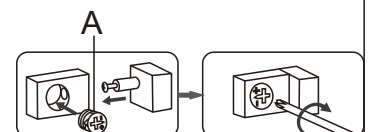
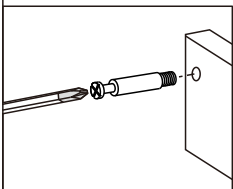
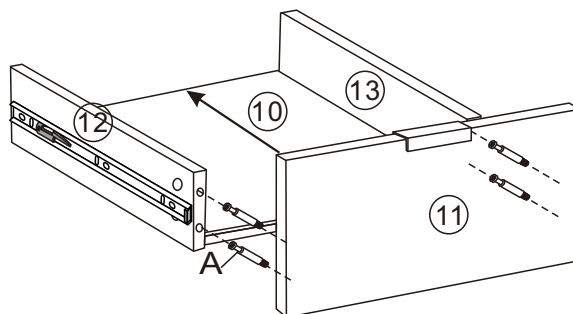
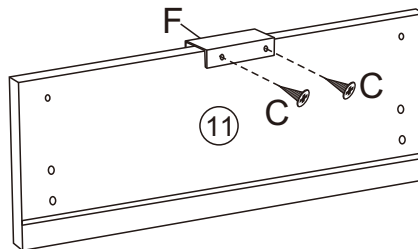
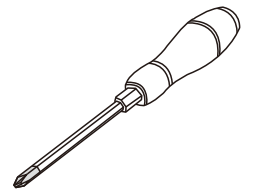
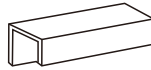


C*2



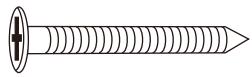
ST3. 5X12mm

F*1

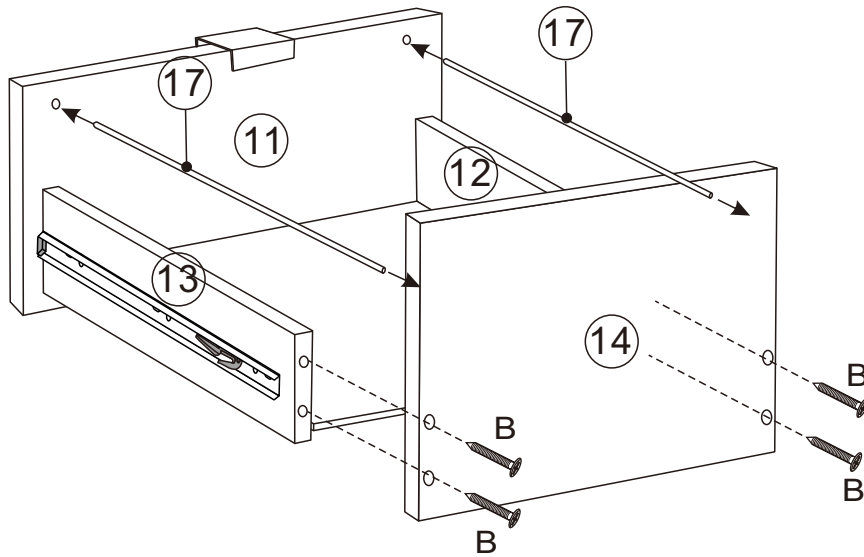
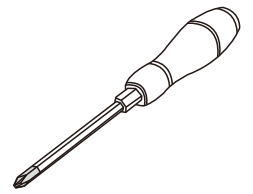


7

B*4

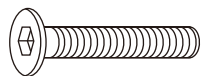


ST5X50mm



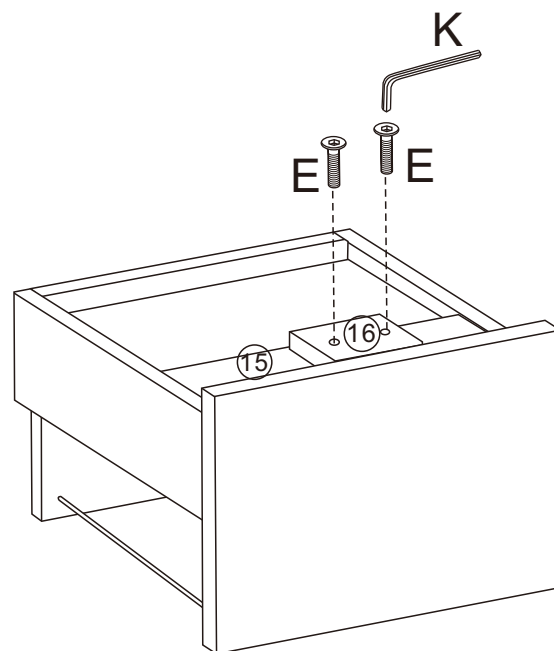
8

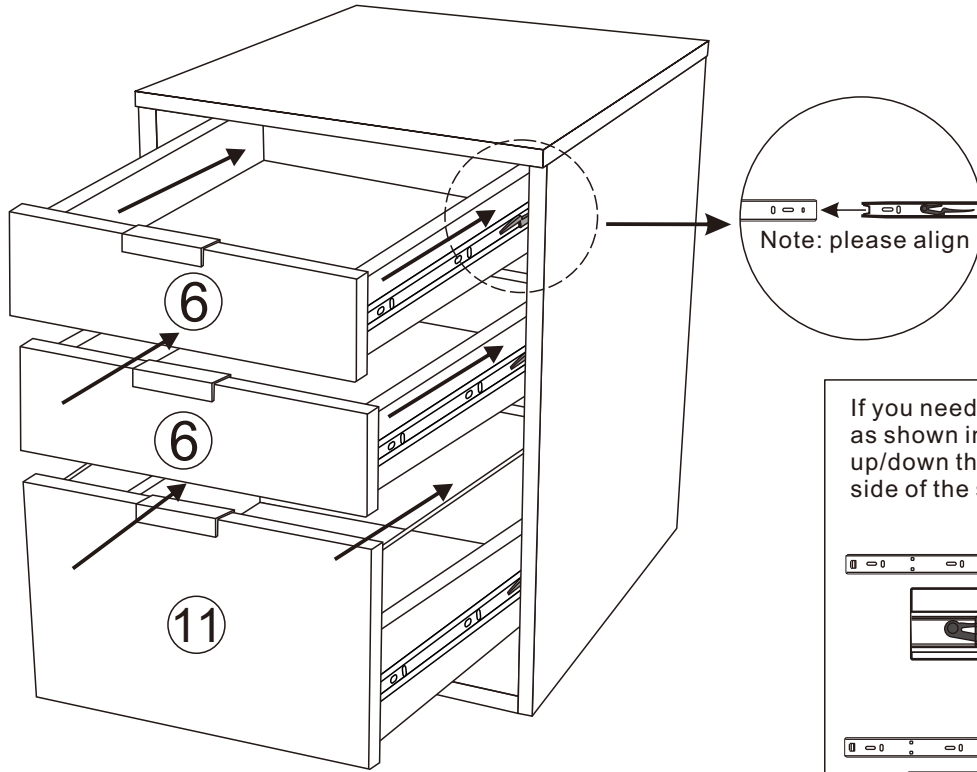
E*2



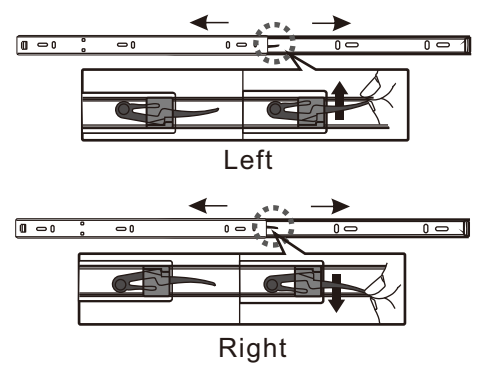
M6X35mm

K





If you need to pull out the drawer, as shown in the figure, first press up/down the plastics on the left/right side of the slider, then pull out the drawer.

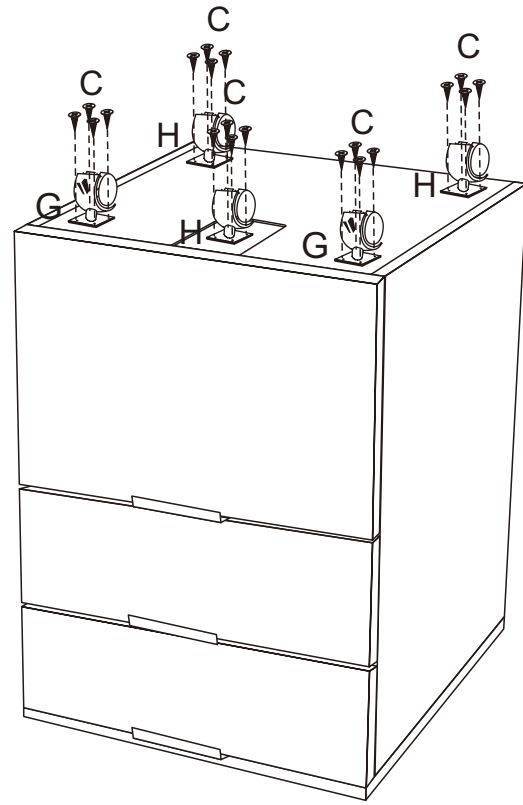
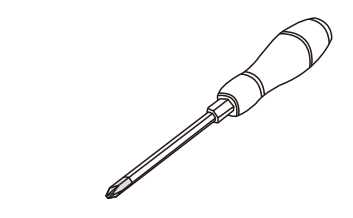


10

C*20
ST3. 5X12mm

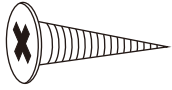
G*2

H*3



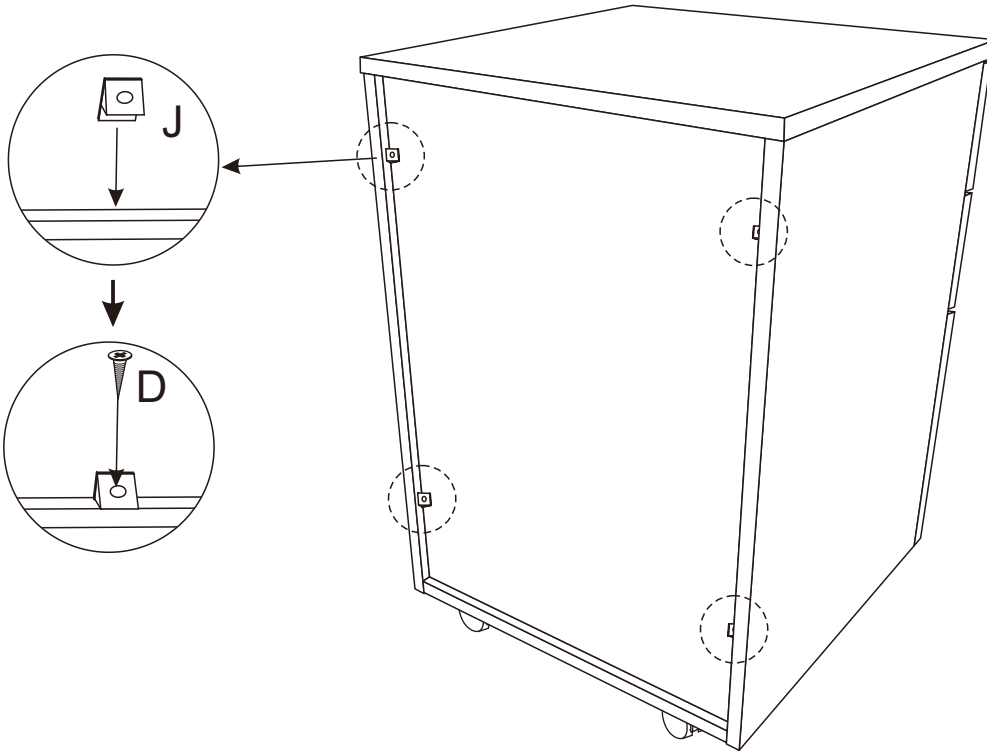
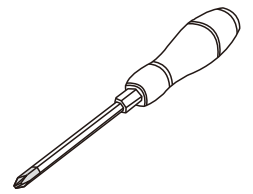
11

D*4

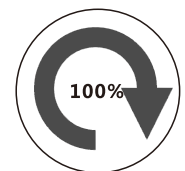


ST3. 5X18mm

J*4



12 Finish



ALL SCREW

Maintenance and Repair

To protect your furniture, we recommend:

- 1. Avoid placing furniture in direct sunlight**
- 2. Keep away the products from children while assembling. Watch out for children climbing on the products.**
- 3. Clean the products with clean rag.**
- 4. If the product is stained with oil, please wipe with general detergent.**
- 5. Clean the product with clean rag that is not easy to depilate, screw dry and wipe with water.**
- 6. Please handle the product with care.**