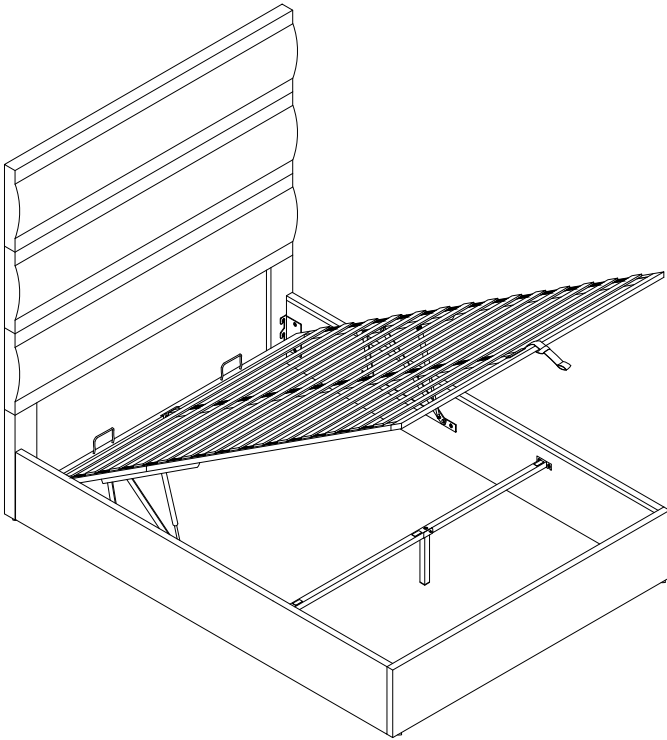


ASSEMBLY INSTRUCTION



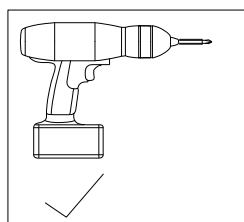
Please **TEAR OFF** this shrink film from side!
DO NOT USE CUTTER!

IMPORTANT NOTE

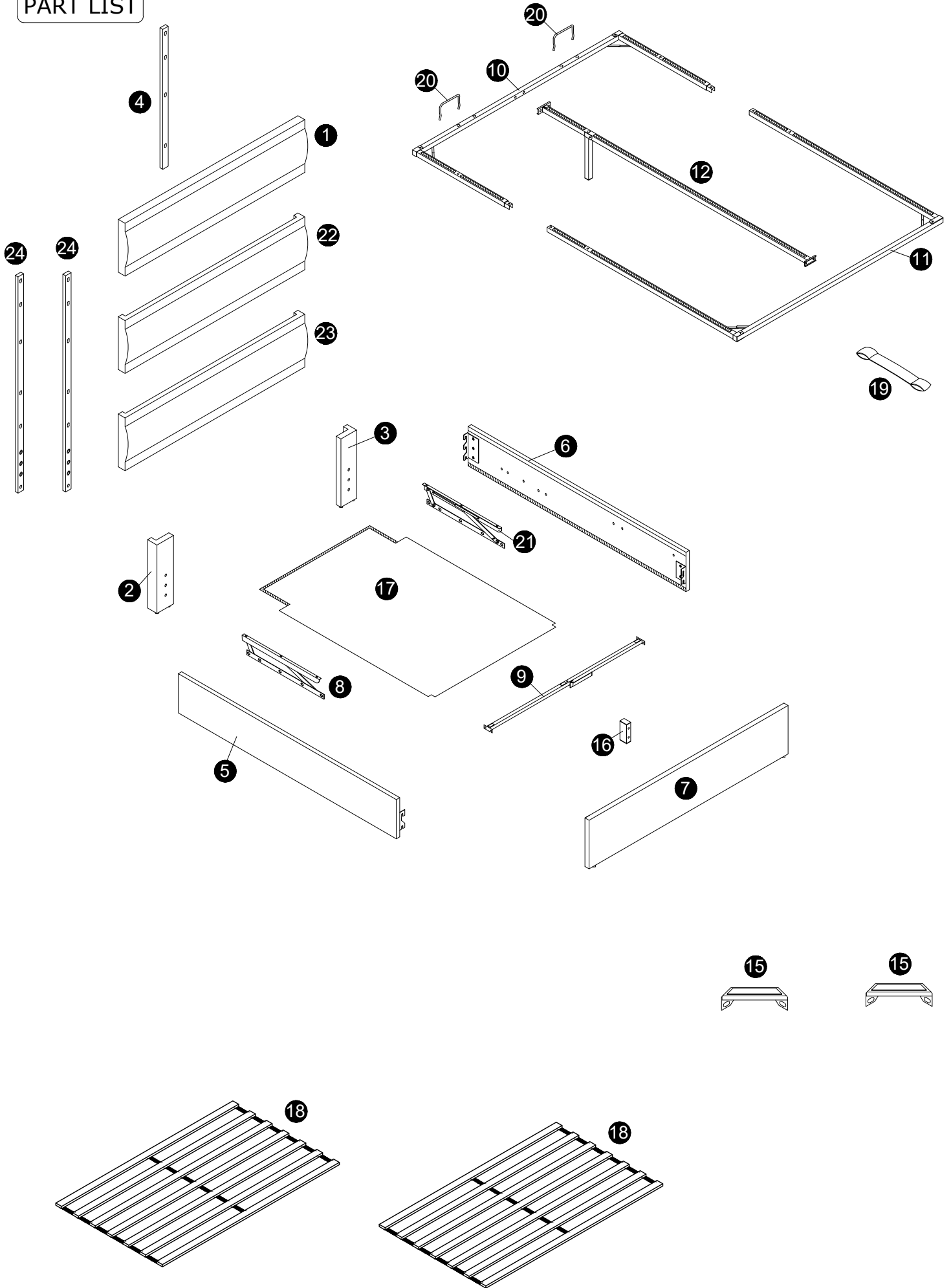
1. For the protection of your furniture, place all parts on a clean and smooth surface to prevent any damage.
2. Keep fittings out of children's reach and keep children well away from construction area.
3. When moving your assembled bed, it is best to lift the bed and never to drag it.
4. Do not use this product if parts are missing, damaged or worn.
5. This product should only be used on firm, level ground.
6. Please periodically check all fittings and re-tighten as necessary.
7. Do not use the bed unless all bolts and screws are firmly secured.
8. For further assistance, please provide a screenshot of your order and contact us



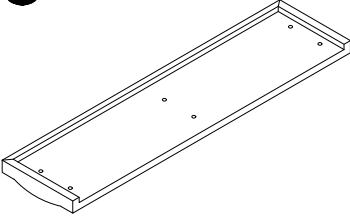
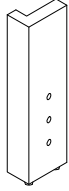
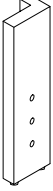
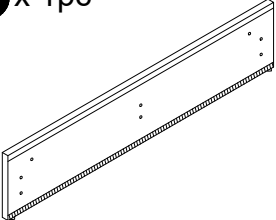
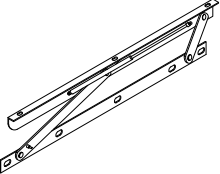


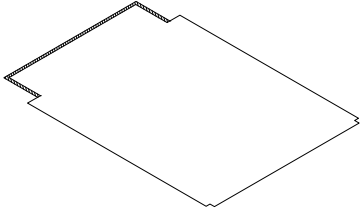
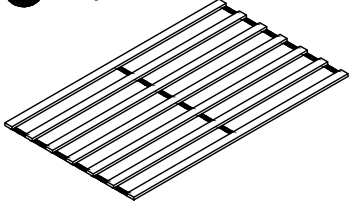
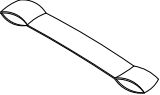

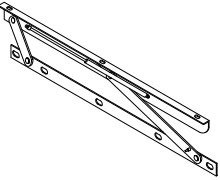
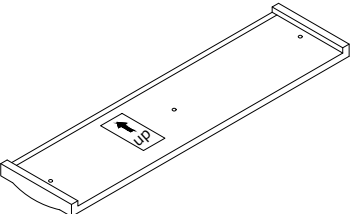
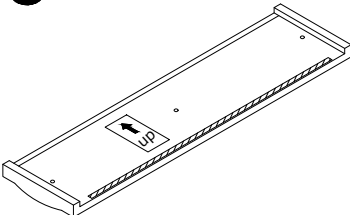
Minimum two
person assembly



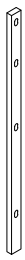
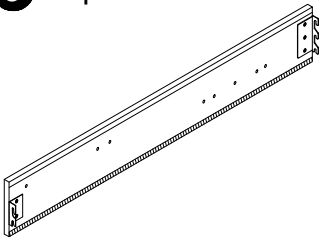
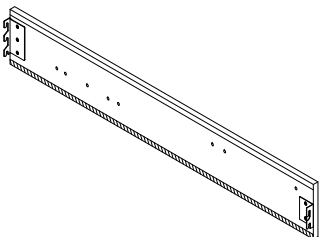
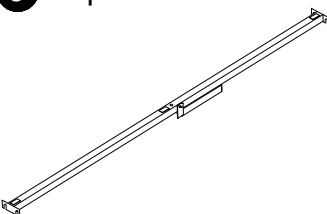
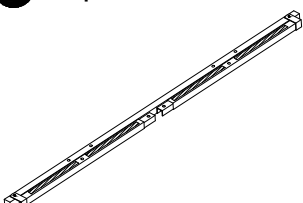
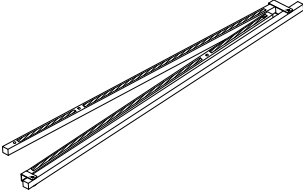
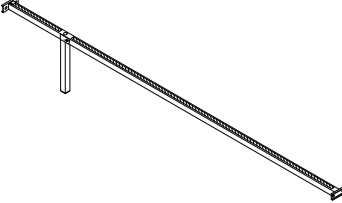
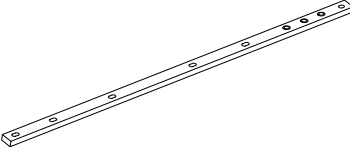
PART LIST



Components of Carton A

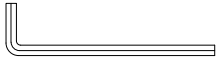
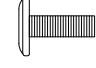





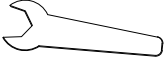

<p>1 x 1pc</p> 	<p>2 x 1pc</p> 	<p>3 x 1pc</p> 	<p>7 x 1pc</p> 
<p>8 x 1pc</p> 	<p>15 x 2pcs</p> 	<p>16 x 1pc</p> 	<p>17 x 1pc</p> 
<p>18 x 2pcs</p> 	<p>19 x 1pc</p> 	<p>20 x 2pcs</p> 	<p>21 x 1pc</p> 
<p>22 x 1pc</p> 	<p>23 x 1pc</p> 		

Components of Carton B

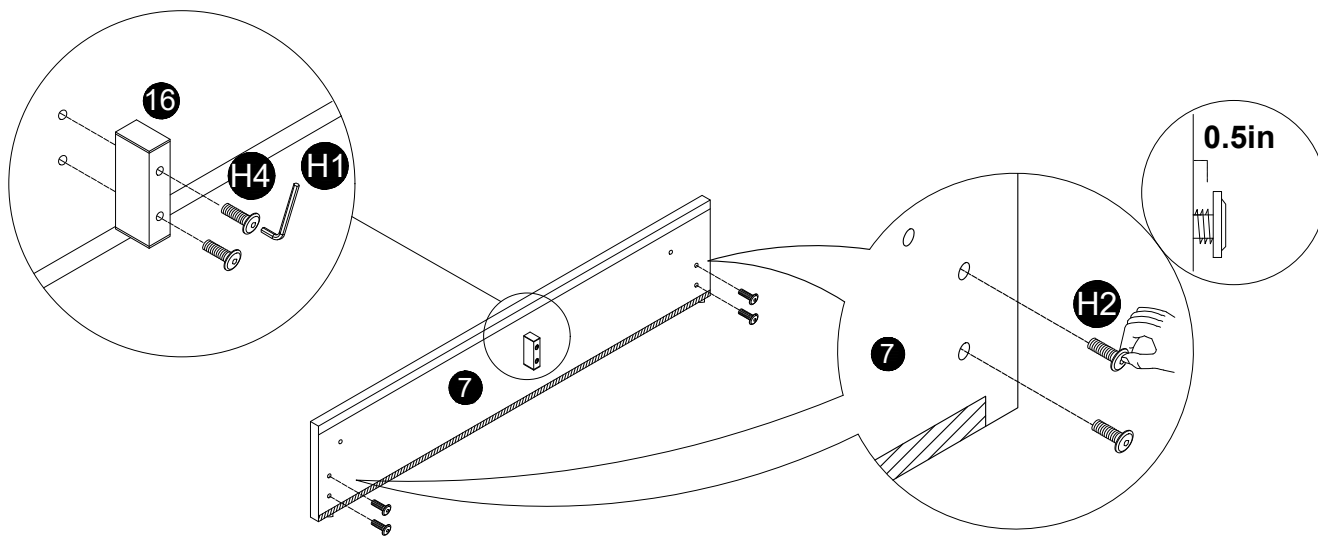
<p>4 x 1pc</p> 	<p>5 x 1pc</p> 	<p>6 x 1pc</p> 	<p>9 x 1pc</p> 
<p>10 x 1pc</p> 	<p>11 x 1pc</p> 	<p>12 x 1pc</p> 	<p>24 x 2pcs</p> 

Please ensure to thoroughly inspect the small inner cardboard box containing the hardware, which are tied with a red string, before disposing of the box.

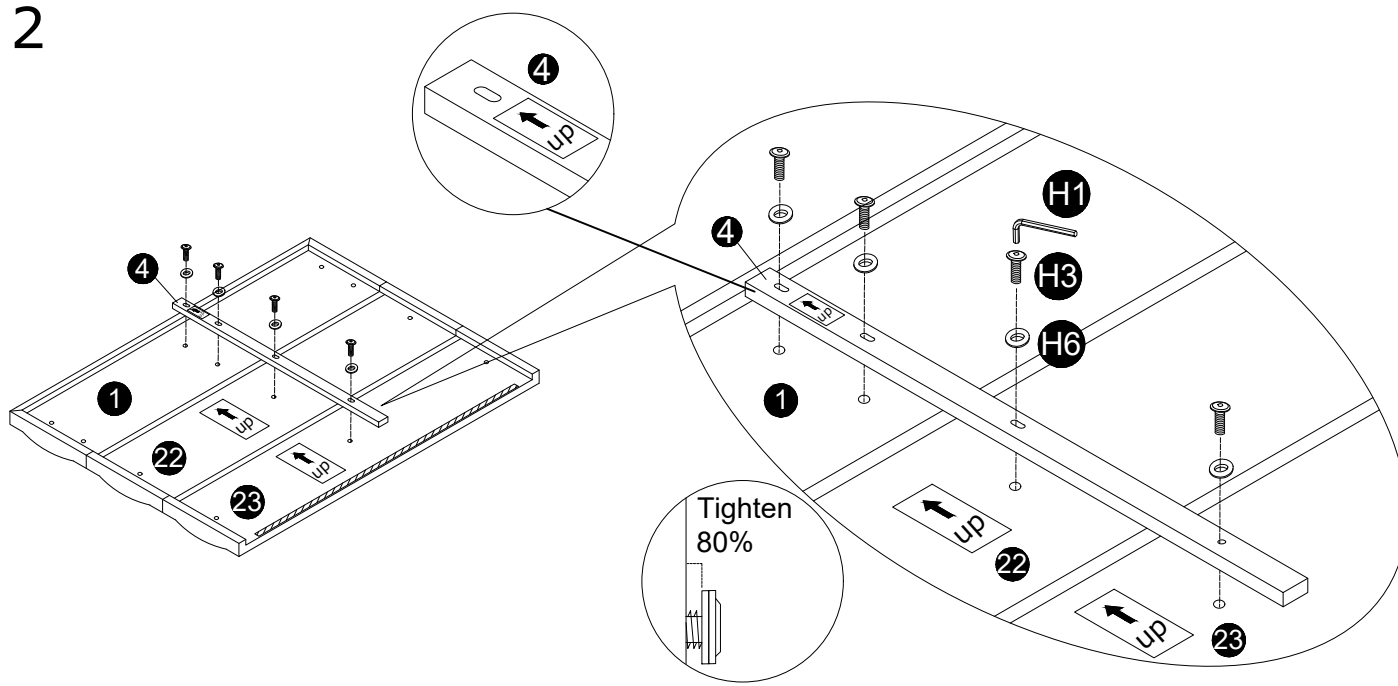
HARDWARE LIST

 <p>H1 M5 x 1pc</p>	 <p>H2 M8x25mm x 26pcs</p>	 <p>H3 M8x40mm x 16pcs</p>	 <p>H4 M8x60mm x 2pcs</p>
 <p>H5 M8 x 6pcs</p>	 <p>H6 M8x22mm x 22pcs</p>	 <p>H7 M8 x 6pcs</p>	 <p>H8 M14 x 1pc</p>
 <p>H9 M8x50mm x 14pcs</p>			

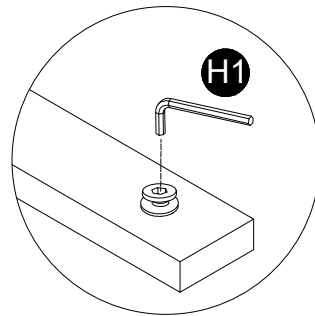
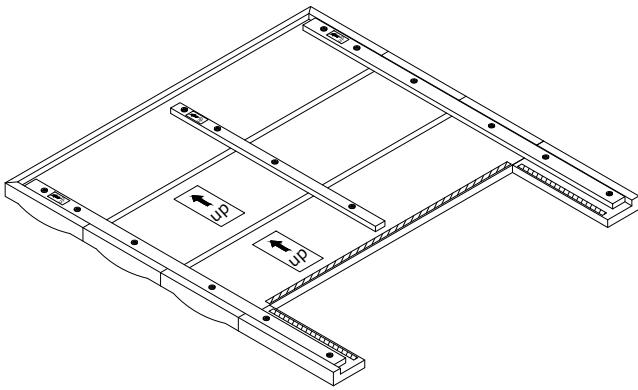
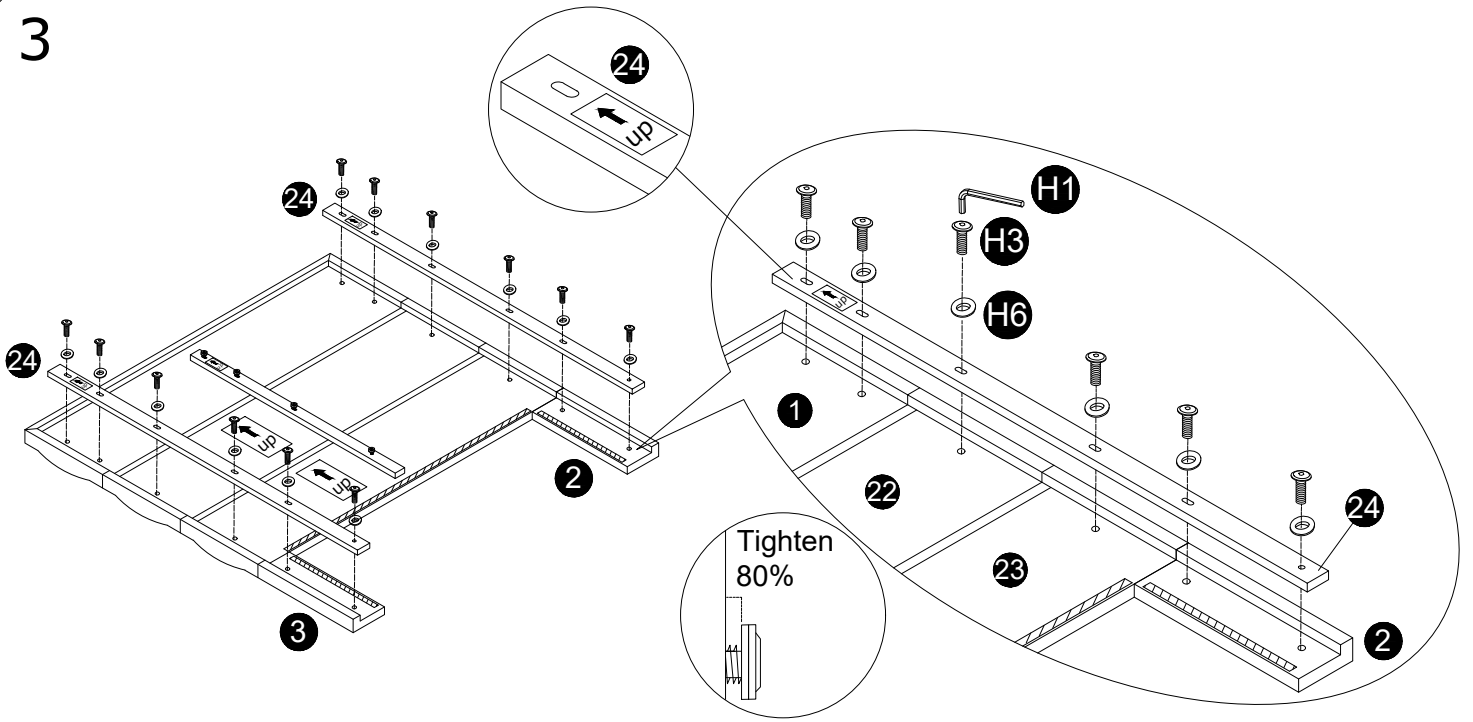
1



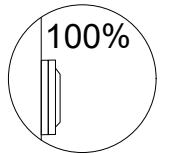
2



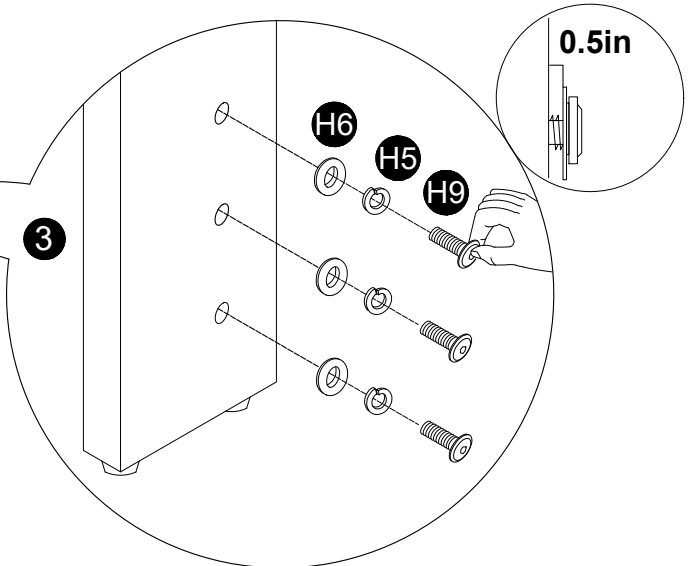
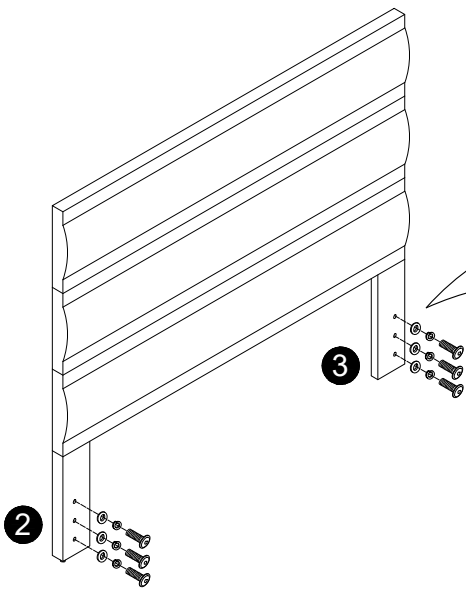
3



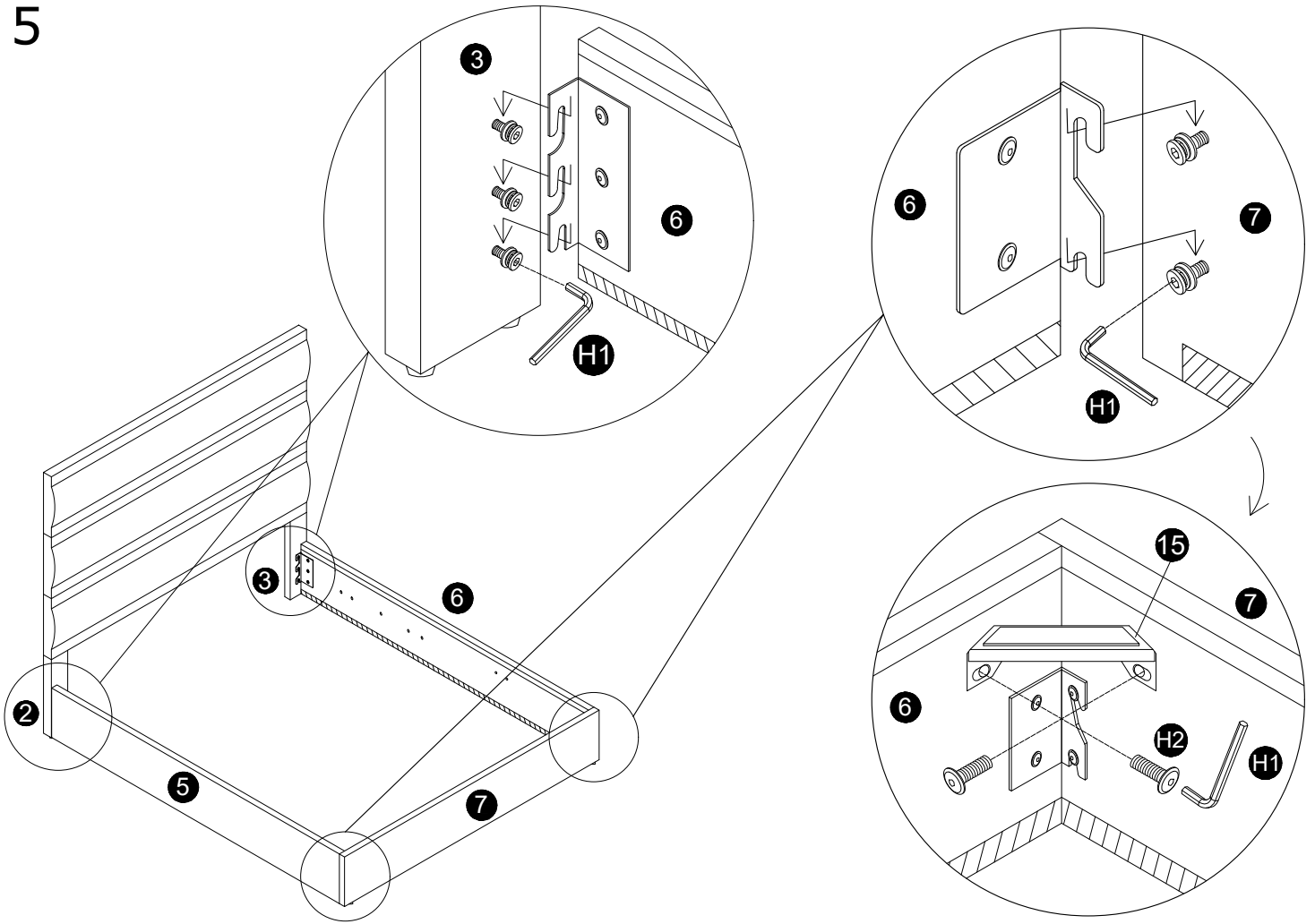
Fully tighten all fixings.



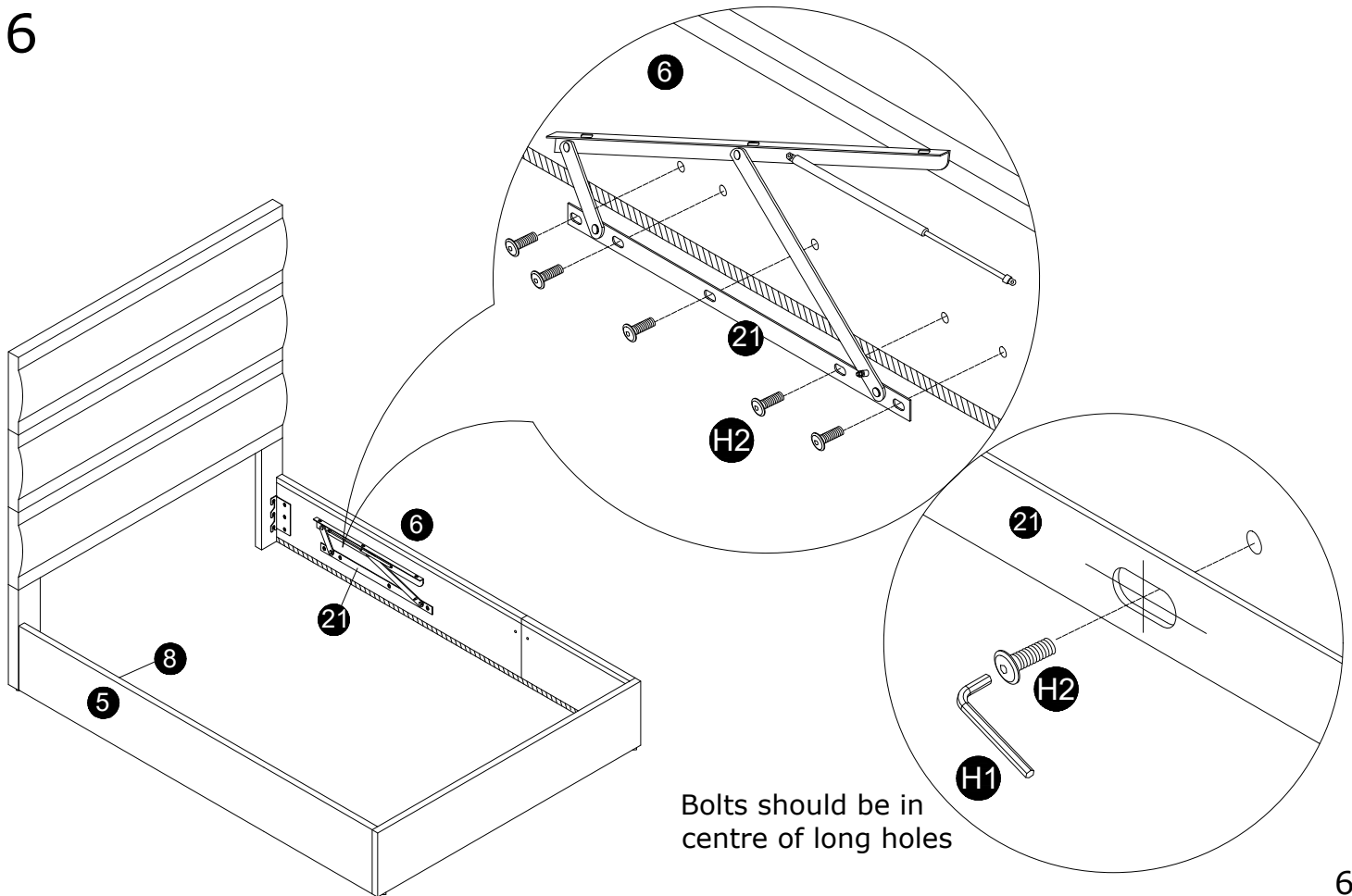
4



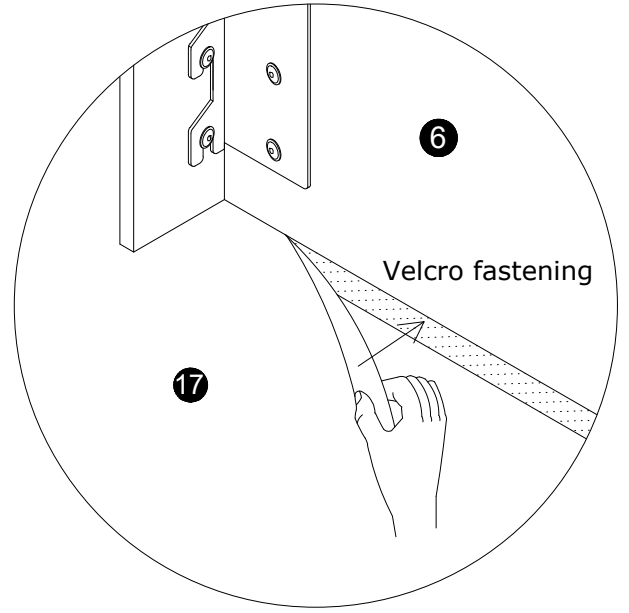
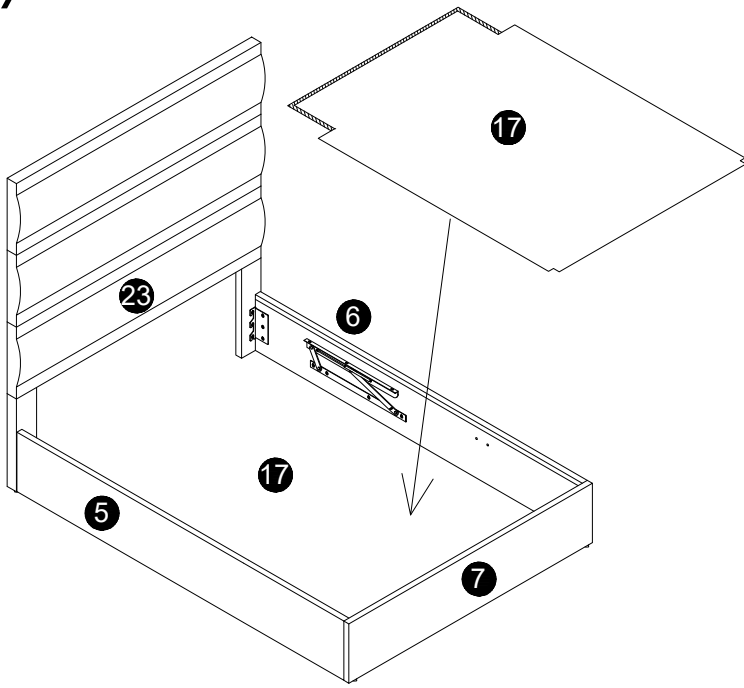
5



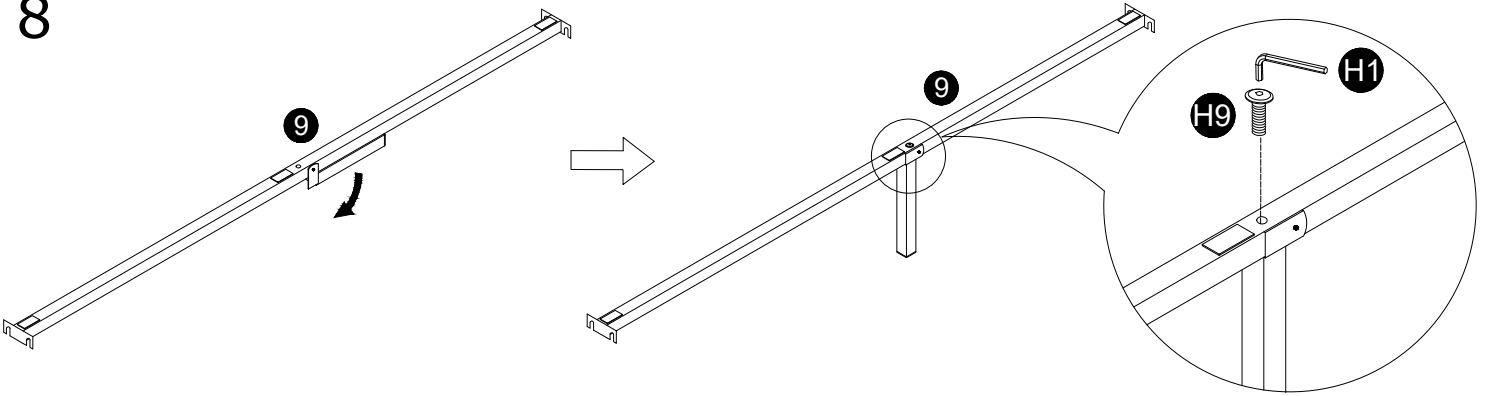
6



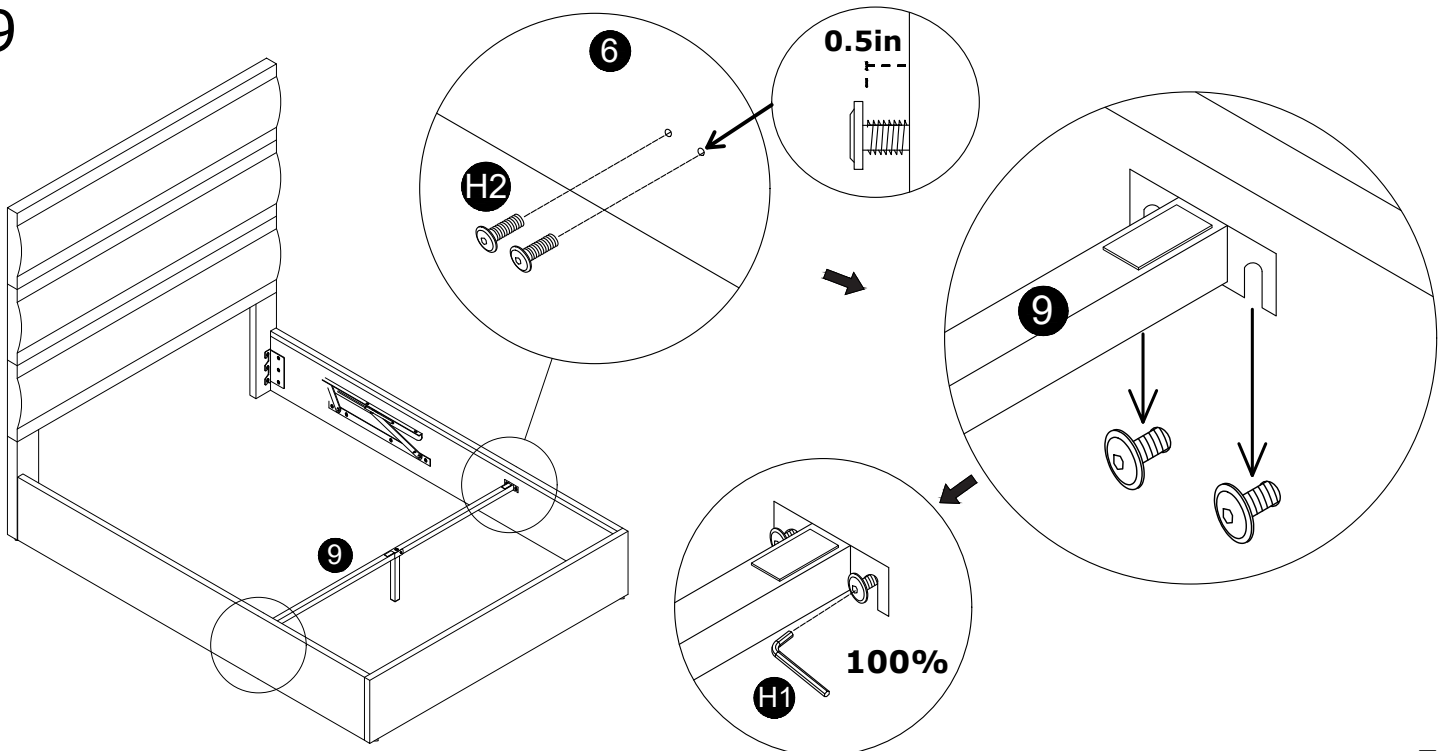
7



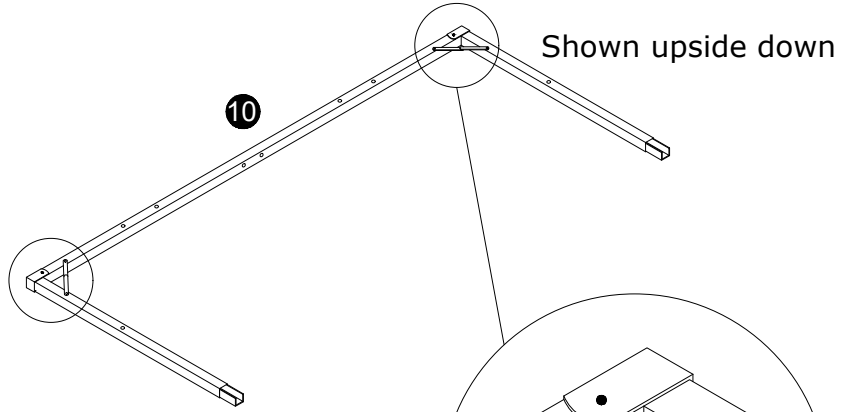
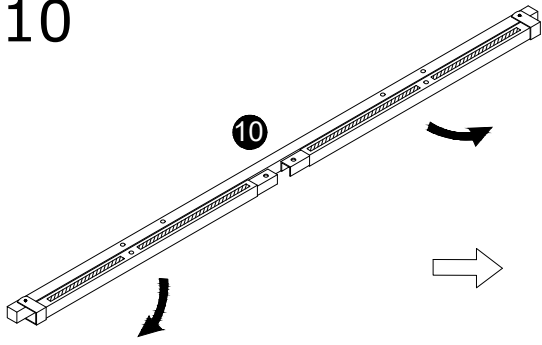
8



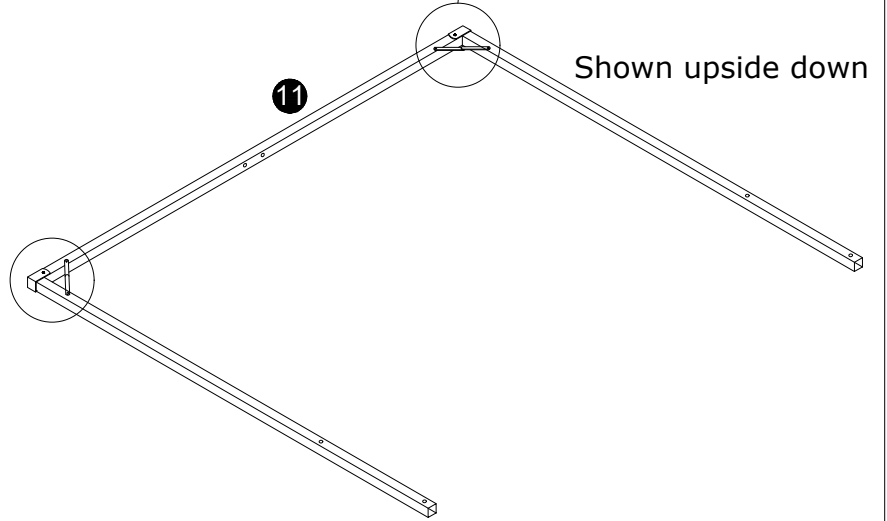
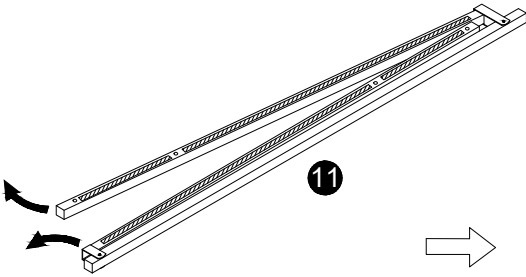
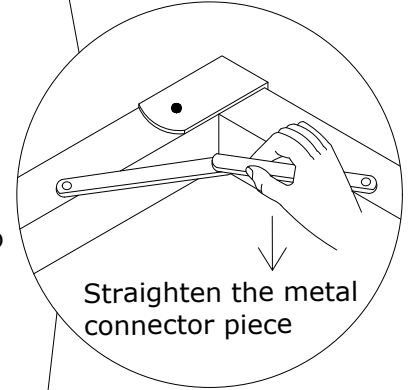
9



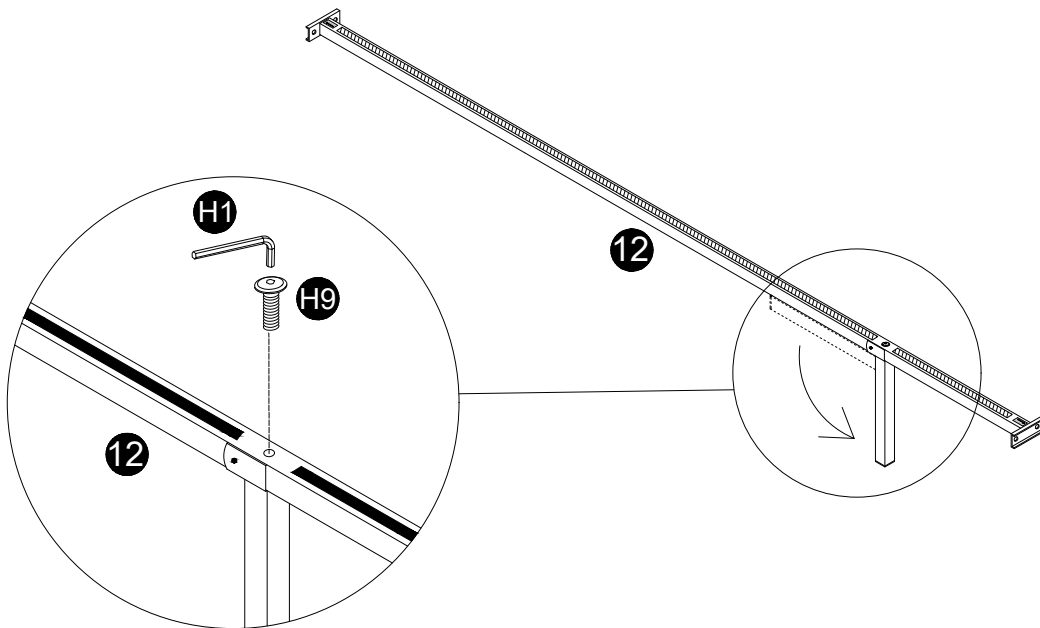
10



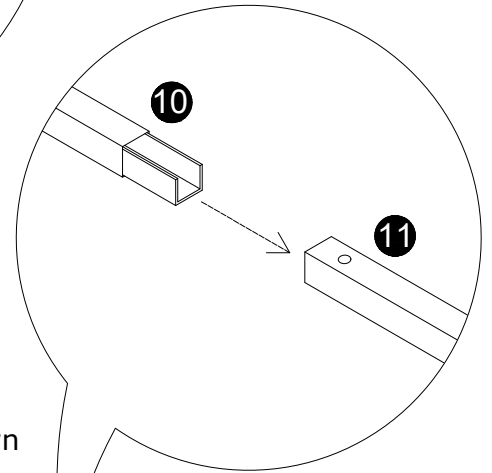
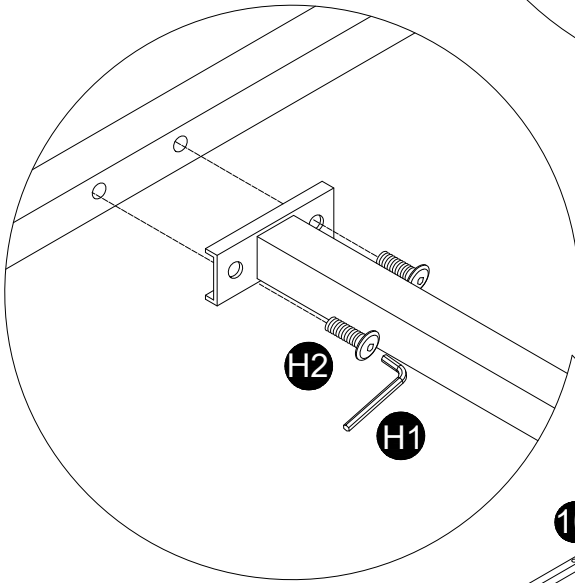
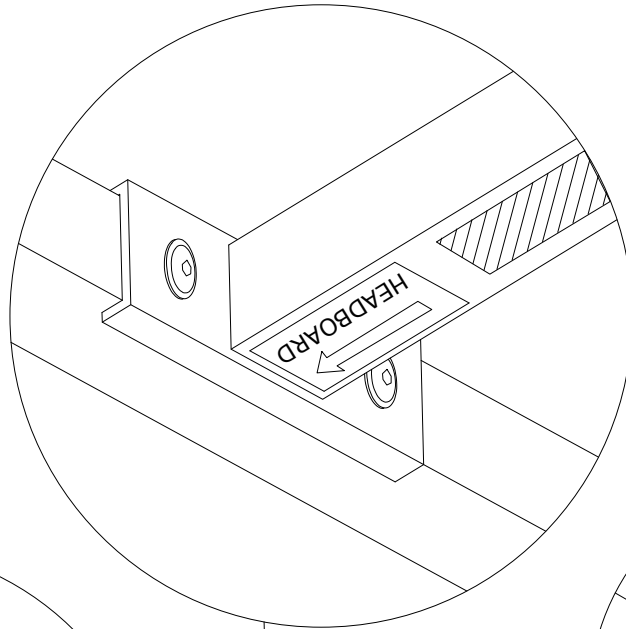
BEWARE OF CLAMP HAND



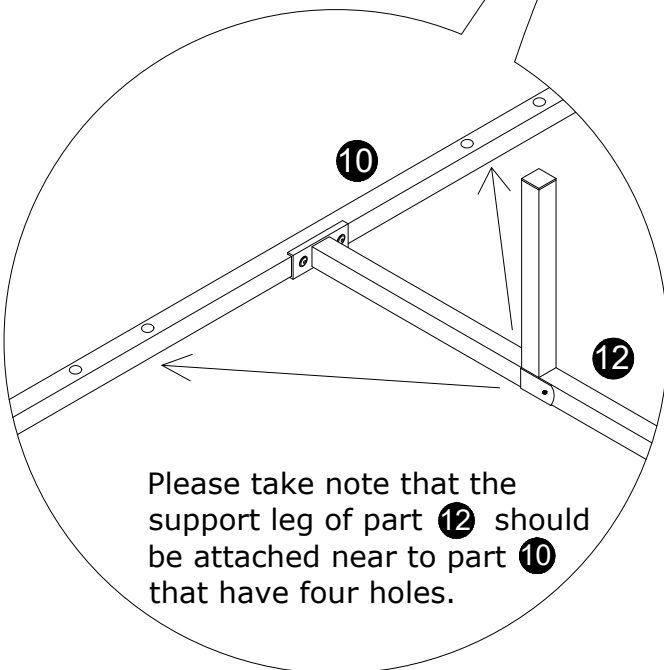
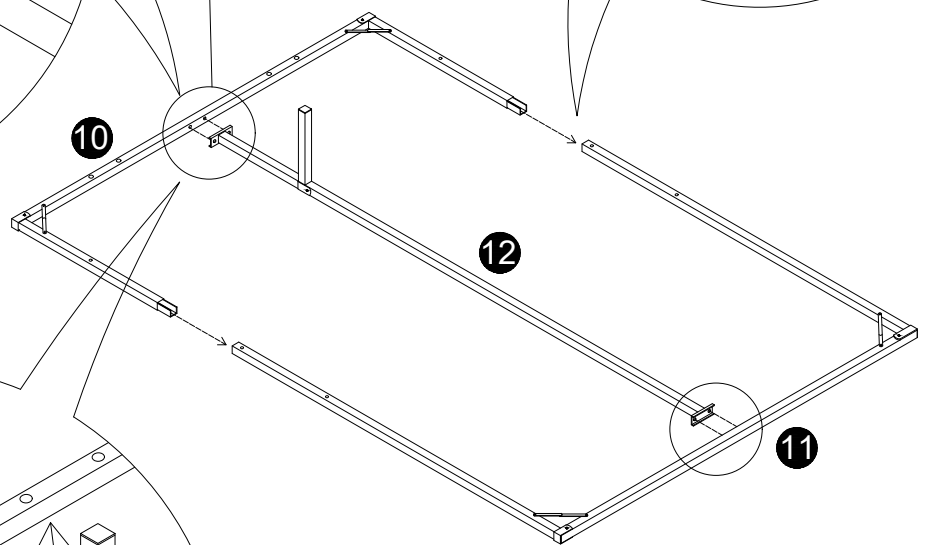
11



12

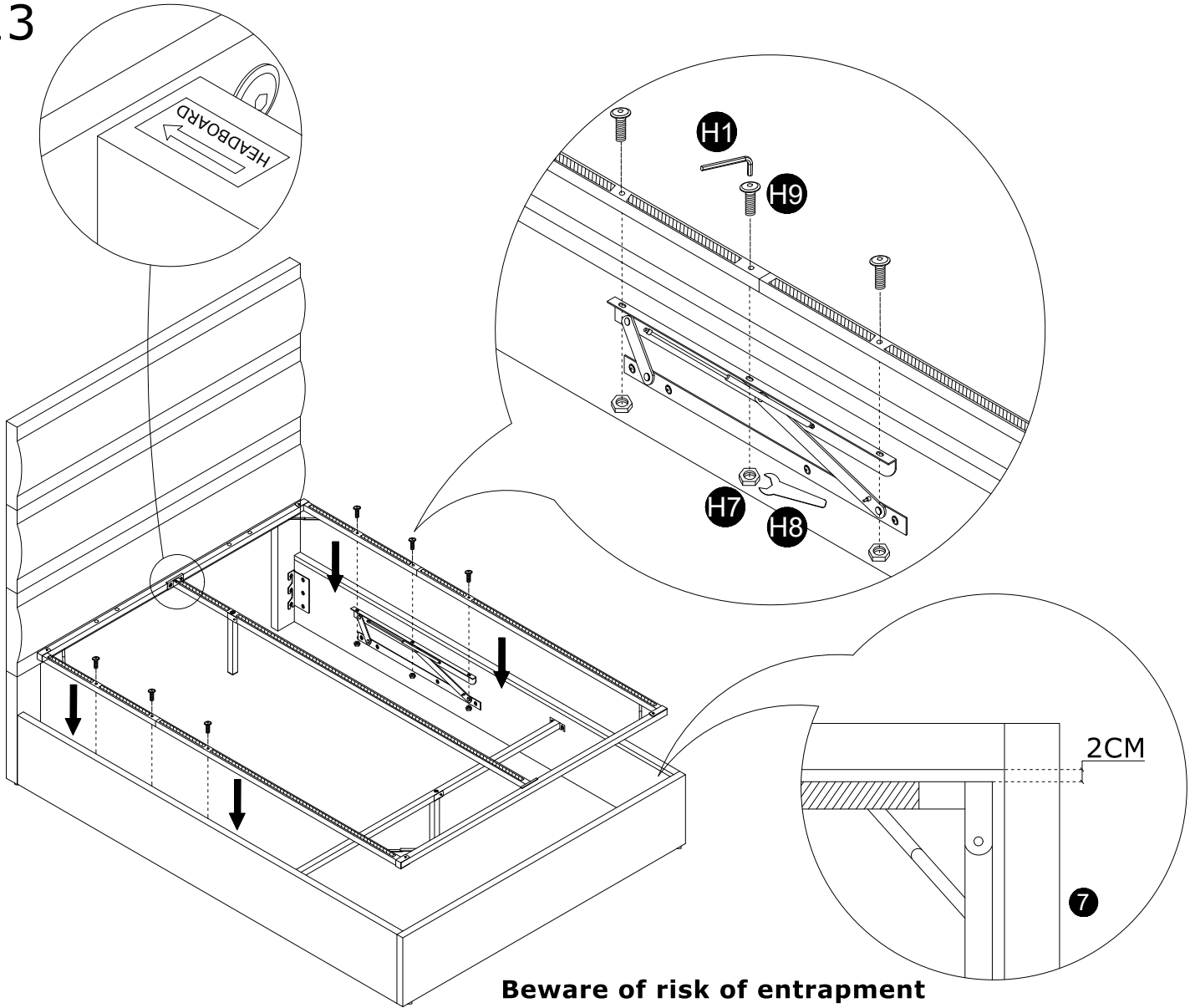


Shown upside down



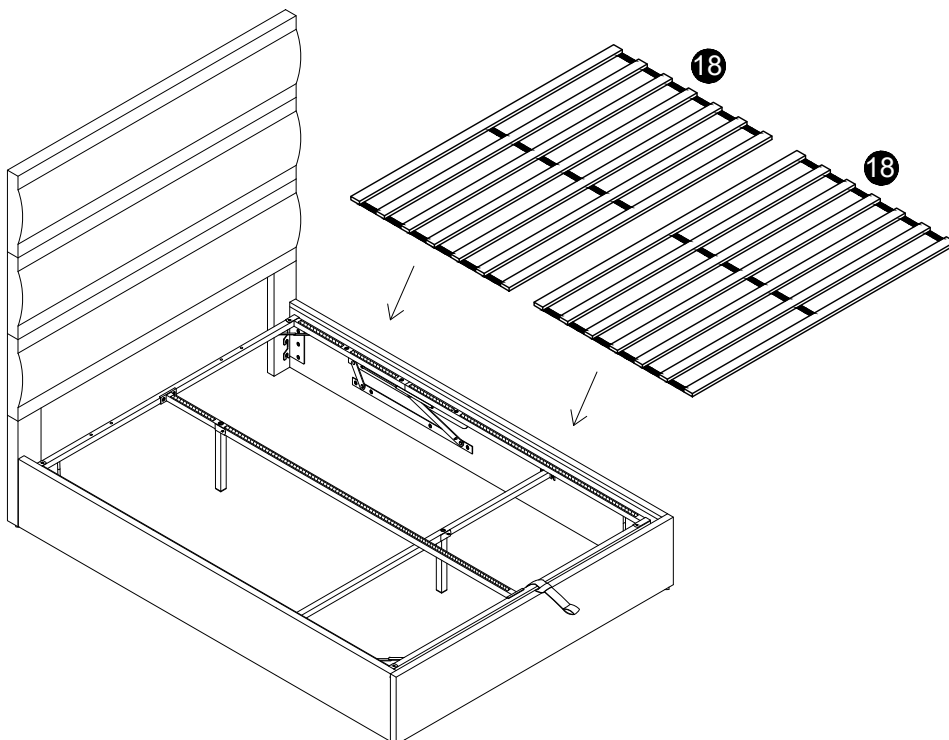
Please take note that the support leg of part 12 should be attached near to part 10 that have four holes.

13

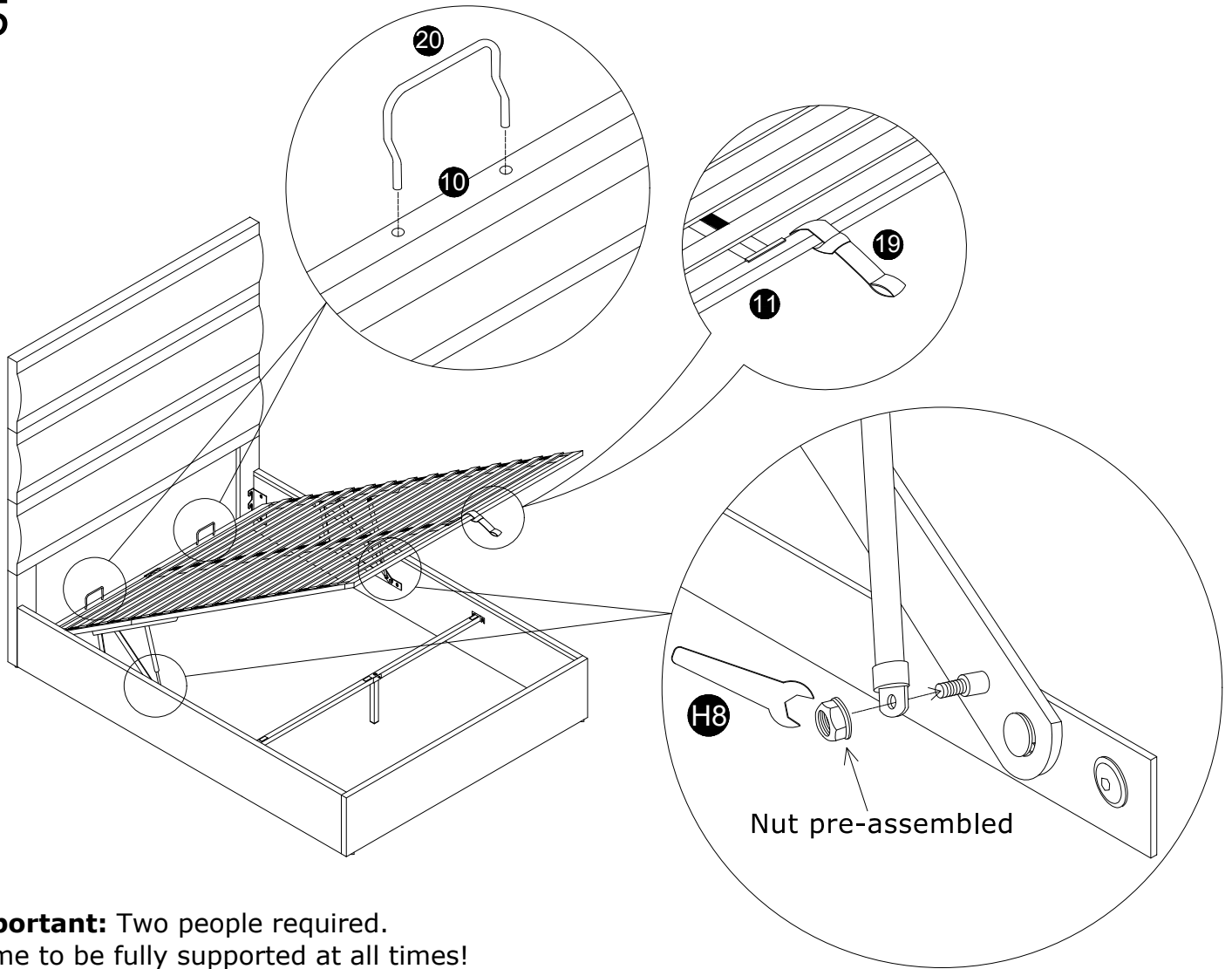


Beware of risk of entrapment from folding hinges!

14

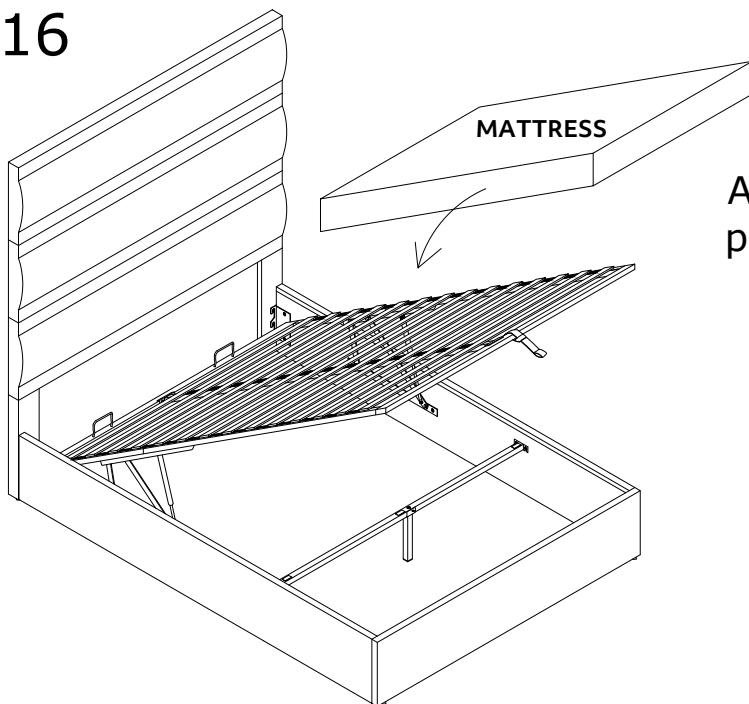


15

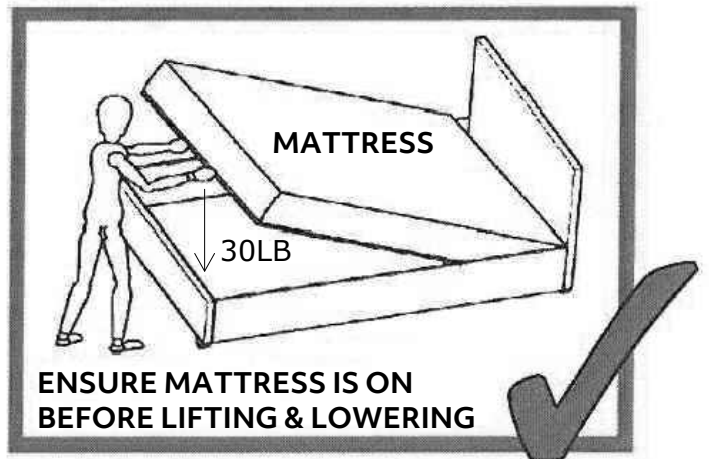


Important: Two people required.
Frame to be fully supported at all times!

16



After placing the mattress on frame,
push down the frame with 30lbs force.



Place the mattress on frame & Carefully lower the frame down.
Keep objects/body part & children away from moving parts.